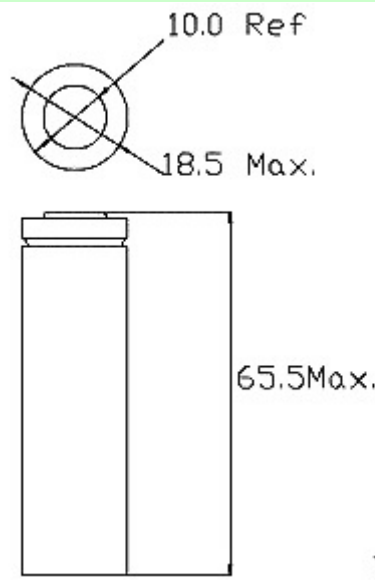
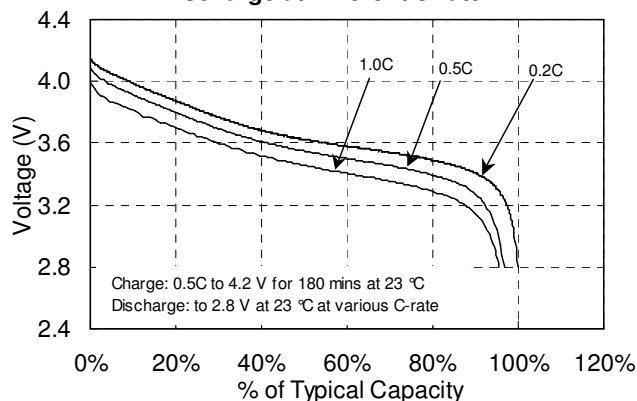


<b>Type</b>	: Rechargeable Lithium Ion Cylindrical Cell Remarks: Li Mixed Oxide chemistry
<b>Nominal Dimension (with sleeve)</b>	: $\Phi = 18.5 \text{ mm}^*$ H = 65.5 mm
<b>Applications</b>	: Recommended discharge current 430 to 2150 mA
<b>Nominal Voltage</b>	: 3.60V
<b>Capacity</b>	: Typical: 2150 mAh Minimum: 2050 mAh When discharged at 430 mA to 2.8 V at 23 °C
<b>Charging Condition</b>	: 1075 mA to 4.2 V for 3 hrs at 23 °C
<b>Recommended Charging Condition in Applications</b>	: 430 mA to 1720 mA (0.2 to 0.8C) Charge termination control recommended control parameters: Taper current 0.05C at 4.2 V
<b>Clamped Charging Voltage</b>	: 4.2 V +/- 0.05 V
<b>Service Life</b>	: >300 cycles (80% of typical capacity)
<b>Weight</b>	: Approx. 44.0 g
<b>Internal Resistance</b>	: 100 m $\Omega$ max. at 1000 Hz
<b>Ambient Temperature Range</b>	: Charging : 0 to 45 °C Discharging : -20 to 60 °C Storage (1 month) : -20 to 45 °C Storage (6 months) : -20 to 40 °C Storage (1 year) : -20 to 35 °C
<b>Note</b>	: * with plastic sleeve

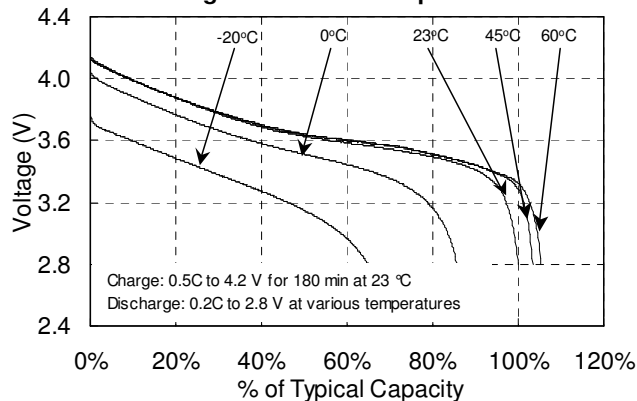
### Model No.: GP1865T220



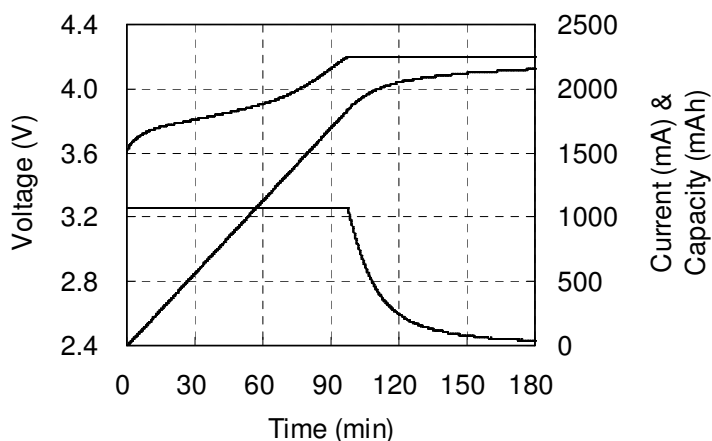
Discharge at Different C-rate



Discharge at Different Temperatures



Charging Characteristics



The information (subject to change without prior notice) contained in this document is for reference only and should not be used as a basis for product guarantee or warranty. For applications other than those described here, please consult your nearest GP Sales and Marketing Office or Distributors.

For detail information, please refer to the relevant product specification.