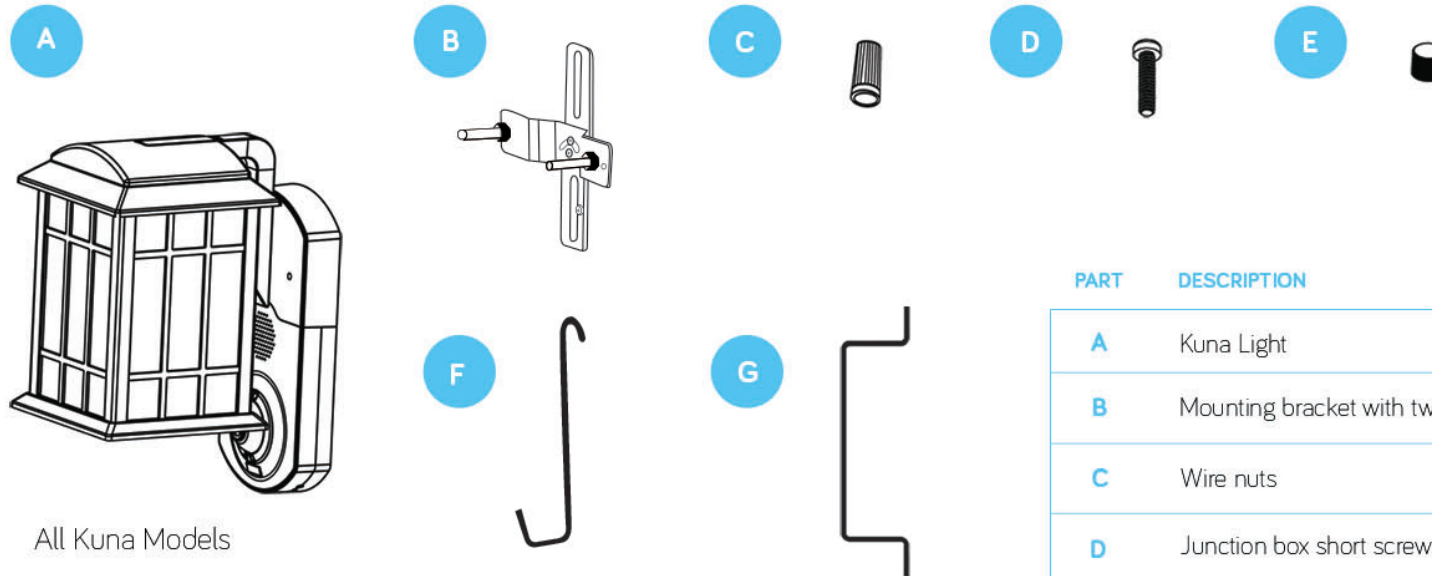


# Quick Start Guide

# KUNA

## What is included



All Kuna Models

## SAFETY INFORMATION

- Risk of fire or electric shock. 120 Volt light installation requires knowledge of luminaries electrical systems. If not qualified, do not attempt to install. Contact a qualified electrician.
- Disconnect power at fuse or circuit breaker before installing or servicing.
- No user serviceable parts inside. To avoid electrical shock, do not disassemble product.
- To prevent wiring damage or abrasion, do not expose wiring to edges of sheet metal or other sharp objects.
- Use only on 120V AC, 60 Hz circuits.
- This device complies with Part 15 of the FCC rules and has been tested and found to comply with the limits for a digital device. These limits are designed to provide reasonable protection against harmful interference in a residential installation. This equipment generates, uses and can radiate radio frequency energy, and if not installed or used in accordance with the instructions may cause harmful interference to radio communications.

PART	DESCRIPTION	QUANTITY
A	Kuna Light	1
B	Mounting bracket with two long screws and two nuts	1
C	Wire nuts	3
D	Junction box short screws	2
E	Decorative fixture nuts	2
F	Fixture holding hook	2
G	Fixture Screws Length Indicator	1

## What is not included

A Standard A-15 light bulb 60W equivalent, LED or CFL bulbs.

Other tools needed: a Philips screwdriver, a step ladder and silicone sealant (optional).

## Installation Steps

### Important

Before beginning assembly of your Kuna light, make sure all parts are present. If any part is missing or damaged, please contact us via [support@getkuna.com](mailto:support@getkuna.com) before returning the product.

### Download the App

Visit [getkuna.com/app](https://getkuna.com/app) from your iOS or Android smartphone to download and install the Kuna app.

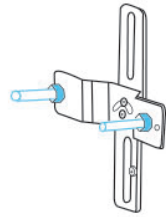
### WiFi Setup

- 1 After installing the light and downloading the app, open the app and create a free Kuna account.
- 2 Follow in-app instructions to setup your Kuna light.

### Let us help

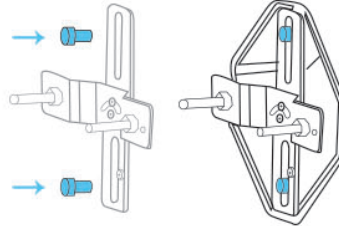
Get helpful hints, installation details, and more at [getkuna.com/support](https://getkuna.com/support)

1



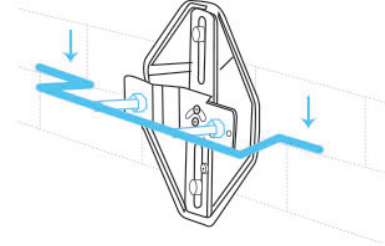
Insert fixture long screws and nuts into the Bracket as shown.

2



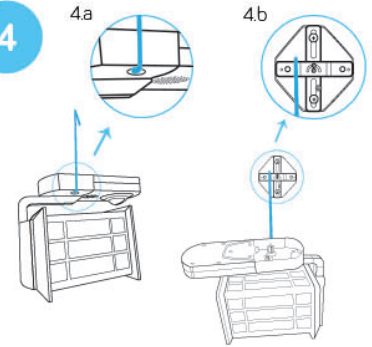
Fasten bracket to junction box with the shorter screws.

3



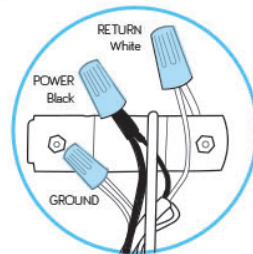
Use screw length indicator to adjust the length of the two long screws from the wall, then tighten the two nuts.

4



Use holding hook to suspend the light and free your hands for wiring. Connect the bottom of the hook (Square) to the right screw pole, then hang the top of the hook on the mounting bracket.

5



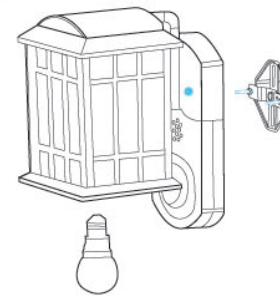
Use wire nuts to connect: Black to Black wires. Insert both wires all the way into the nut and twist until secure. Then repeat for the white wires and for the ground wires.

6



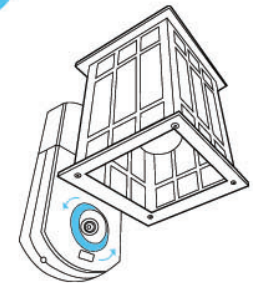
Holding the light fixture with both hands, align the two fixture long screws into the light fixture screw-posts.

7



Mount the light fixture to the long screws as shown, then install both decorative nuts. Install a light bulb and apply silicone sealant between wall and light fixture (optional).

8



Adjust the camera lens angle. Use 2 fingers loosen up the locking ring turning it counter clockwise. Then, lock it up turning it the ring clockwise.

For final adjustment, see the video feed on the phone after downloading the App and setting up WiFi.