

MANGO POWER E Battery

Quick Start Guide

Disclaimer

Read this Quick Start Guide carefully before using the product to ensure that you completely understand the product and can correctly use it. After reading this user manual, keep it properly for future reference. Improper use of this product may cause serious injury to yourself or others, or cause product damage and property loss. Once you use this product, it is deemed that you understand, approve and accept all the terms and content in this document. MANGO POWER is not liable for any loss caused by the user's failure to use this product in compliance with this Quick Start Guide.

In compliance with laws and regulations, MANGO POWER reserves the right to the final interpretation of this document and all documents related to this product. This document is subject to changes (updates, revisions, or termination) without prior notice. Please visit MANGO POWER's official Guide website to obtain the latest product information.

INSTRUCTIONS PERTAINING TO RISK OF FIRE, ELECTRIC SHOCK, OR INJURY TO PERSONS

IMPORTANT SAFETY INSTRUCTIONS

- **WARNING** – When using this product, basic precautions should always be followed, including the following:

1. Read all the instructions before using the product.
2. To reduce the risk of injury, close supervision is necessary when the product is used near children.
3. Do not put fingers or hands into the product.
4. Use of an attachment not recommended or sold by MANGO POWER may result in a risk of fire, electric shock, or injury to persons.
5. To reduce risk of damage to the electric plug and cord, pull the plug rather than the cord when disconnecting the power pack.
6. Do not use a battery pack or appliance that is damaged or modified. Damaged or modified batteries may exhibit unpredictable behavior resulting in fire, explosion or risk of injury.
7. Do not operate the power pack with a damaged cord or plug, or a damaged output cable.
8. Do not disassemble the power pack. Take it to a qualified service person when service or repair is required. Incorrect reassembly may result in a risk of fire or electric shock.
9. To reduce the risk of electric shock, unplug the power pack from the outlet before attempting any servicing.
10. **WARNING – RISK OF EXPLOSIVE GASES.**

To reduce risk of battery explosion, follow these instructions and those published by MANGO POWER and manufacturer of any equipment you intend to use in vicinity of the battery. Review cautionary marking on the product.

PERSONAL PRECAUTIONS

- a) Have plenty of fresh water and soap nearby in case battery acid contacts skin, clothing, or eyes.
 - b) Wear complete eye protection and clothing protection. Avoid touching eyes while working near the battery.
 - c) If battery acid contacts skin or clothing, wash immediately with soap and water. If acid enters eye, immediately flood eye with running cold water for at least 10 minutes and get medical attention immediately.
 - d) NEVER smoke or allow a spark or flame in vicinity of the battery.
 - e) Be extra cautious to reduce risk of dropping a metal tool onto battery. It might spark or short-circuit battery or other electrical part that may cause explosion.
11. When charging the internal battery, work in a well-ventilated area and do not restrict ventilation in any way.
 12. Under abusive conditions, liquid may be ejected from the battery; avoid contact. If contact accidentally occurs, flush with water. If liquid contacts eyes, additionally seek medical help. Liquid ejected from the battery may cause irritation or burns.
 13. Do not expose a power pack to fire or excessive temperatures. Exposure to fire or temperatures above 130°C (265°F) may cause an explosion.
 14. Have servicing performed by a qualified repair person using only identical replacement parts. This will ensure that the safety of the product is maintained.

- **OPERATING INSTRUCTIONS**

1. Instructions regarding battery charging, temperature limits for appliance, battery-use, and storage, and the recommended temperature range for charging.
2. Indoor-use only power packs.

SAVE THESE INSTRUCTIONS

Contents

Technical Specifications	01
Features	02
Getting Started	03
E+ Function	03
E-Link Function	04
What's In the Box	04
Storage and Maintenance	05
Safety Instructions	05

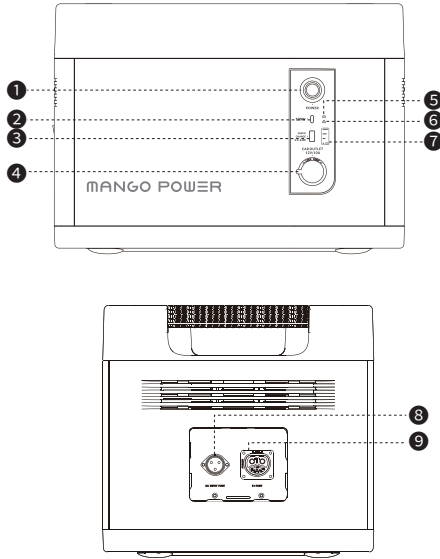
Technical Specifications



Model	
MANGO POWER E Battery	
Product Name	Mobile energy storage
General	
Net Weight	73.1lbs(33.18kg)
Size	17.8x13.6x12.5 inches(452x345x318mm)
Working Temperature	Charging: -10°C~45°C(14°F~113°F) Discharging: -20°C~45°C(-4°F~113°F)
Warranty	5 years
Certifications	Meets US and International Safety and EMI Standards
IP level	IP21
Battery	
Battery Capacity	3533Wh
Cell Chemistry	World's best CATL LFP
Life Span	Capacity Retention >70% after 6000 cycles (@25°C, +0.5C/-0.5C)
Battery Management Systems	Over Voltage Protection, Overload Protection, Over Temperature Protection, Short Circuit Protection, Low Temperature Protection, Low Voltage Protection, Overcurrent Protection
Max charging rate	Up to 1.1C
Input	
Charging Method	AC Wall Outlet, AC Adapter
AC Charging	Max 3000W(by connected to MANGO POWER E)/AC Adapter
Output	
Output Ports	3
USB-A	1 x QC 3.0 24W
USB-C	1 x PD 100W
Car Power Output	12V/10A

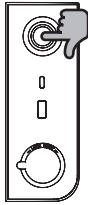
- Whether the product can be charged or discharged depends on the actual temperature of the battery pack.

Features

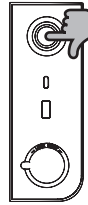


No	Name	Description
①	Power button	Short/Long press to turn MANGO POWER E Battery ON/OFF
②	USB-C 100W output	Can be used to charge most devices currently on the market at 100W Max
③	USB-A 24W output	Quick charge USB-A ports
④	DC 12V/10A cigarette lighter port	Output port for devices with a corresponding plug such as vehicle-use vacuums, refrigerators, etc.
⑤	Running indicator light	Green while MANGO POWER E Battery is running
⑥	Trouble warning light	Red while MANGO POWER E Battery is faulty
⑦	Battery indicator light	Four levels of Battery status, from bottom to top ,25%,50%,75%,100%
⑧	DC input port	Match a 55V/10A adapter for charging
⑨	E+ Port	Connect the MANGO POWER E Battery with MANGO POWER E

Getting Started



Short press to turn on



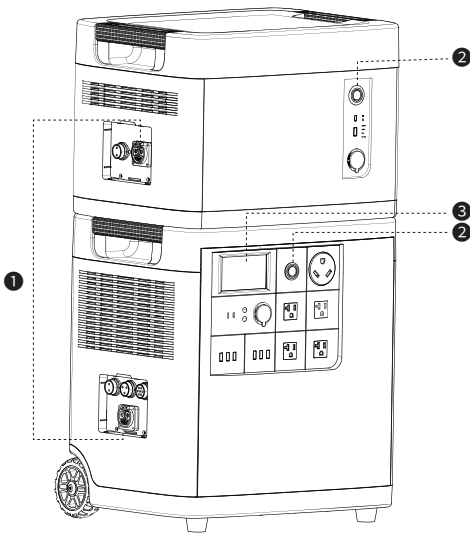
Long press to turn off

Startup: Short press the power button for 1 second, the power button indicator will illuminate, and the running indicator light will turn green. If the MANGO POWER E Battery links with MANGO POWER E, the battery icon will display on the touch screen.

Shutdown: Long press the power button for 5 seconds, the power button indicator and running indicator light will turn off.

E+ Function

MANGO POWER E Battery cannot be used alone for AC output, currently, it can be adapted to MANGO POWER E.

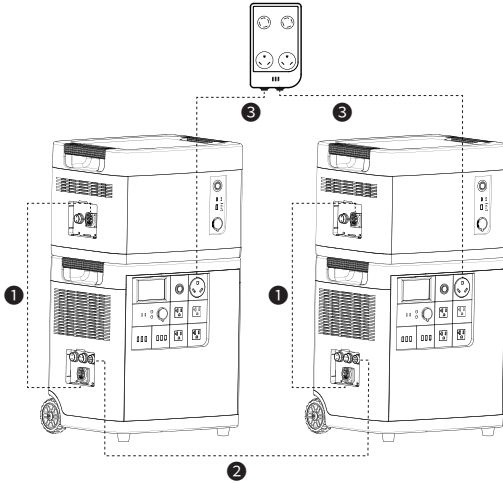


MANGO POWER E Battery can link the MANGO POWER E to expand the battery capacity to 7066Wh.

Turn off both the MANGO POWER E Battery and MANGO POWER E before connecting or disconnecting them;

- 1 Connect the MANGO POWER E Battery and MANGO POWER E via an E+ connection cable;
- 2 Turn on the MANGO POWER E Battery and MANGO POWER E ;
- 3 Before use, make sure the MANGO POWER E is displaying the extra battery icon on its touch screen.

E-Link Function








Two MANGO POWER E units can be linked together with an E-Link cable to double the output power and voltage.

Please disconnect the AC charging cable for both MANGO POWER E units while plugging into the mSocket Pro;

- ❶ Connect the MANGO POWER E Battery and MANGO POWER E via an E+ connection cable;
- ❷ Connect two MANGO POWER E's via an MANGO POWER E-Link cable;
- ❸ Plug in two MANGO POWER E's into the mSocket Pro;

Turn MANGO POWER E Battery and MANGO POWER E on and tap the AC ON/OFF on one of the MANGO POWER E's touch screens. You can get output power and voltage doubled from the mSocket Pro.

What's In the Box

No.		Category	Quantity
1		MANGO POWER E Battery	1
2		E+ Connection Cable	1
3		Quick Start Guide	1
4		Warranty Card	1
5		QC PASS Certificate	1

Storage and Maintenance

1. Ideally, use and store the product in a place of between 20°C~30°C (68°F~86°F), and always keep it away from water, intense heat, and sharp objects. For an extended product lifespan, do not store it in places of temperatures above 45°C (113°F) or below -10°C (14°F).
2. For long-term storage, please discharge the product every three months (firstly discharge it to 0%, then fully recharge it, and lastly discharge it to 60%); the product will not be covered by the warranty if it is not charged or discharged for more than 6 months.

Safety Instructions

- Carefully read this document before installation and use. Otherwise, serious damage or personal injury may result.
- This battery contains compounds which may be harmful, carcinogenic, or cause fertility disorders if improperly handled. Do not remove the internal battery without the express permission of the manufacturer or one of its designated suppliers.
- We're proud of the MANGO POWER E Battery's lightweight design, but it is still a 73.1lbs (33.18kg) product. Please be careful when handling and use an auxiliary transport tool if necessary.
- If you notice any extrusion, deformation, or other defect of your MANGO POWER E Battery, immediately stop use of the product, and contact our support staff.
- Before undertaking any installation or wiring, first make sure the MANGO POWER E Battery's Power Button is in the "off" position.
- Do not dismantle or attempt to dismantle the MANGO POWER E Battery without the express permission of the manufacturer. Some of its parts are not replaceable. If you have any issue with your MANGO POWER E Battery, contact our support staff. If maintenance is required, professional maintenance engineers will be required.
- To protect the product during transportation, please do not stand or sit on the MANGO POWER E Battery's packing boxes. When opening and unpacking, be sure to handle with care. Do not place other items on top of the MANGO POWER E Battery.
- Do not install the MANGO POWER E Battery near a heater or other heat source. It is prohibited to place or operate this equipment in an environment with any flammable, explosive gas, or smoke.
- Do not install the MANGO POWER E Battery any place where it will be directly exposed to the rain, and do not allow it to soak in water or any other liquid.
- Please do not use chemical cleaners or expose the MANGO POWER E Battery to any other flammable or volatile chemicals.

- Do not use spray products to clean the MANGO POWER E Battery.
- This product should only be installed in environments that stay within its operating temperature range: Charging: -10°C~45°C (14°F~113°F) Discharging: -20°C~45°C (-4°F~113°F)
- Strictly follow guidelines laid out in this user manual when installing or using your MANGO POWER E Battery.
- Only use official accessories from MANGO POWER Battery to use in conjunction with your MANGO POWER E Battery.



Shenzhen Xihe Future Technology Co.,Ltd.



Please scan this QR code for more product information