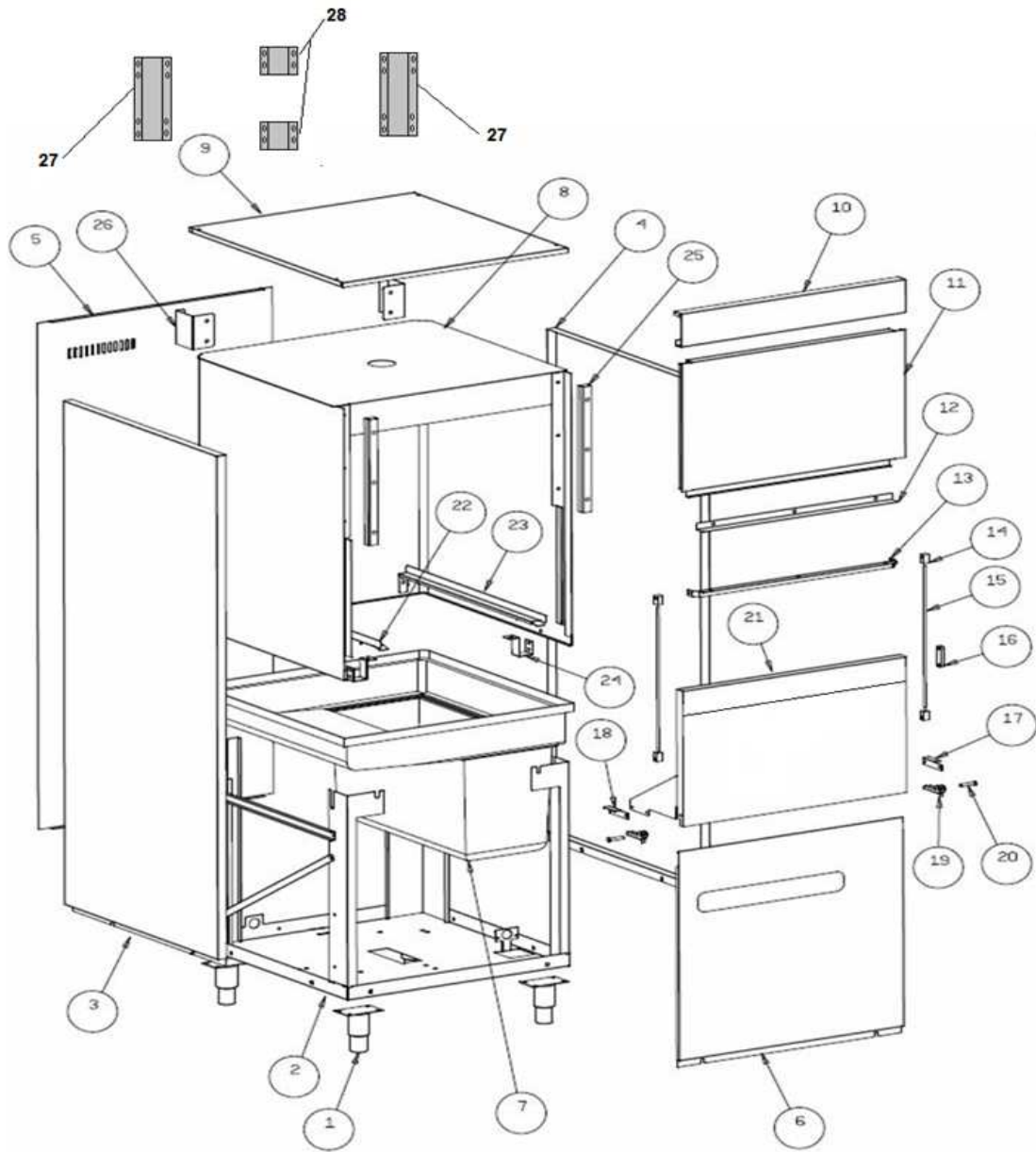


LP57 EVO2 HY-NRG

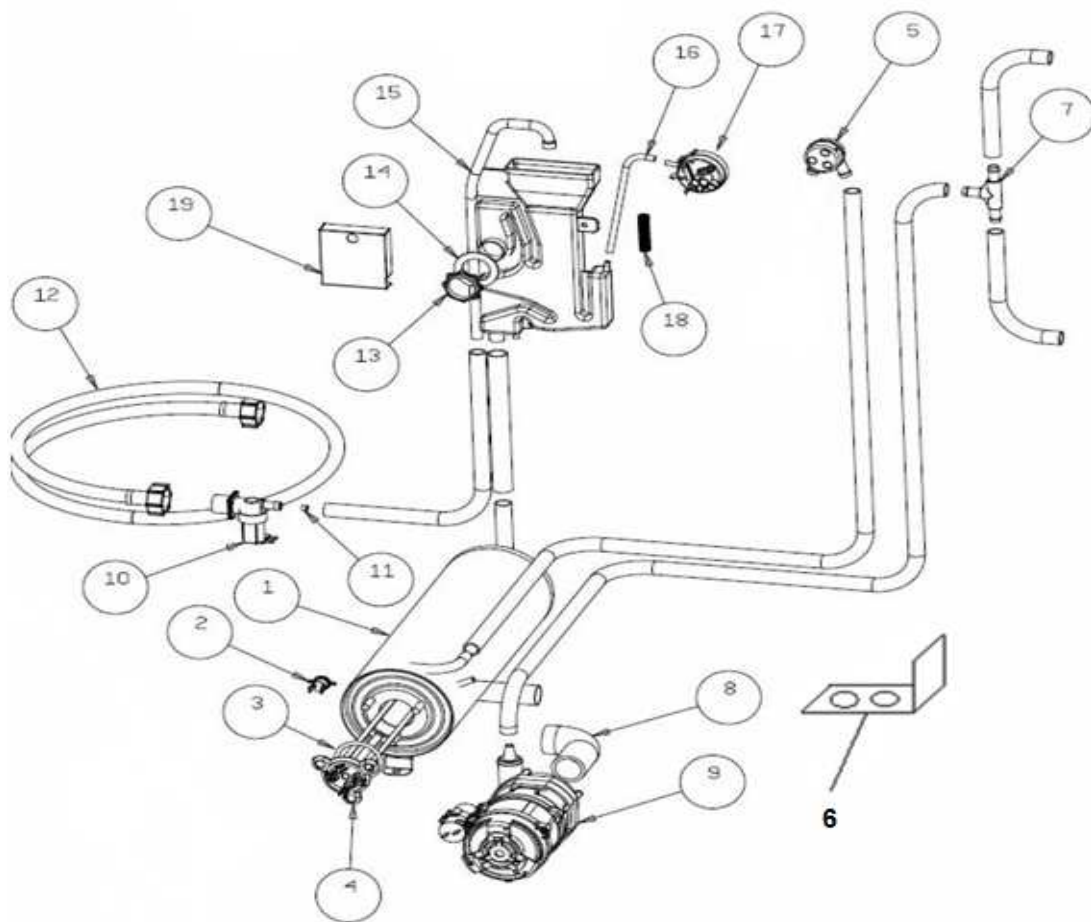
EXPLODED VIEW



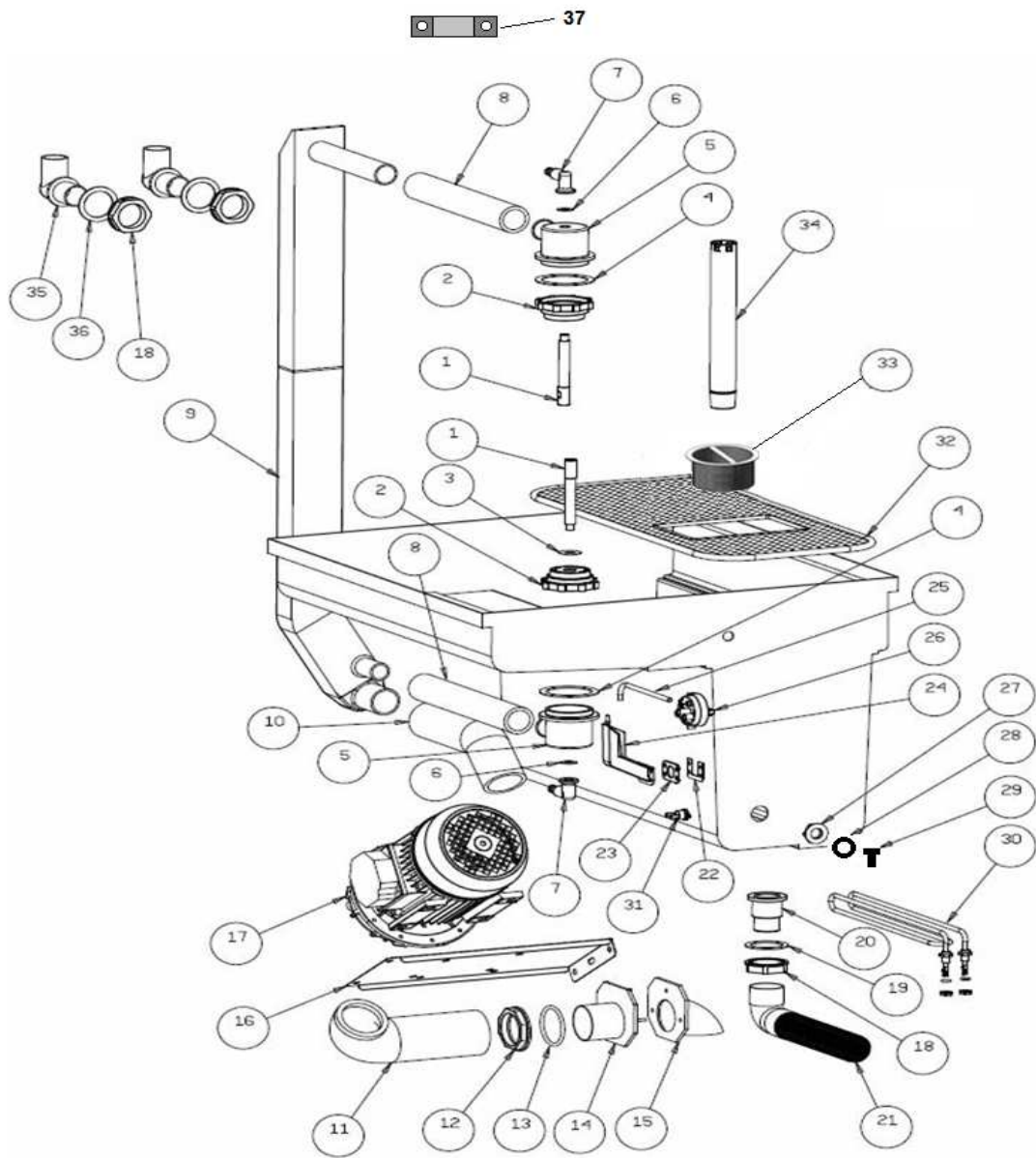
POS	CODE	DESCRIZIONE	DESCRIPTION	QTA
1	TR0861	PIEDE 1"1/2"	LEG 1"1/2"	4
2	908550	BASAMENTO LP57A COMPLETO	COMPLETE BASEMENT LP57A	1
3	TR3774	PANN. LAT. LP57A SX 2011	LH SIDE PANEL LP57A 2011	1
4	TR3773	PANN. LAT. LP57A DX 2011	RH SIDE PANEL LP57A 2011	1
5	TR3718	PANN. POST. LP57A	BACK PANEL LP57A	1
6	951608	PANN. FRONT. COM LP57 EVO2	COMPLETE FRONT PANEL LP57 EVO2	1
7	908699	VASCA LP57	TANK LP57	1
8	TR3591	CAPPOTTA LP57A 2011 COMPL.	COMPLETE HOOD LP57A 2011	1
9	TR3776	PANN. SUP. LP57A 2011	UPPER PANEL LP57A 2011	1
10	TR3775	PANN. FRONT. SUP. LP57A 2011	UPPER FRONT PANEL LP57A 2011	1
11	TR3428	PORTA SUP. LP57A 2011 COMPLETA	COMPLETE UPPER DOOR LP57A 2011	1
12	TR2003	PARASPRUZZI LP57A 2011	SPLASHBACKS LP57A 2011	1
13	TR0924	TRAV. SUPP. PORTA LP57A 2011	DOOR UPPER COVER LP57A 2011	1
14	TR0936	BLOCCETTO TIRANTE PORTA LP57A 2011	TIE-ROD DOOR BLOCK LP57A	4
15	TR0937	TIRANTE PORTA M6X427MM LP57A 2011	DOOR TIE-ROD M6X427MM LP57A 2011	2
16	908706	MAGNETE + CUSTODIA CAPOT/LP57	MAGNET + CONTAINER HOOD TYPE/LP57	1
17	TR0990	FERMO PORTA DX LP57A 2011	RH DOOR STOP LP57A 2011	1
18	TR0991	FERMO PORTA SX LP57A 2011	LH DOOR STOP LP57A 2011	1
19	901245	CERNIERA PORTA SERIE S-N-E	DOOR HINGE MODEL S-N-E	2
20	904795	PERNO PORTA	DOOR PIVOT	2
21	TR3609	PORTA INF. LP57A 2011 CON M.A.	LOWER DOOR LP57A WITH ALUMINIUM HANDLE 2011	1
22	TR2072	GUIDA ANG. SX PORTACEST. LP57A 2011	ANGULAR BASKET GUIDE LH LP57A 2011	1
23	TR2073	GUIDA ANG. DX PORTACEST. LP57A 2011	ANGULAR BASKET GUIDE RH LP57A 2011	1
24	TR2071	SUPP. GUIDA CESTELLO LP57A 2011	BASKET-GUIDE SUPPORT LP57A 2011	2
25	901696	GUIDA POLIZENE PORTA SUP. LP57A 2011	GUIDE DOOR SUP. LP57A 2011	2
26	TR2097	SQUAD. FISS. PANN. POST. LP57	BACK-PANEL FIXING BRACKET LP57	2
27	955776	STAFFA LAT. DX-SX FISS. LPN57	RH-LH SIDE FIXING BRACKET LPN57	2
28	955777	STAFFA POST. FISS. CAPPOTTA LP57	BACK HOOD-FIXING BRACKET LP57	2



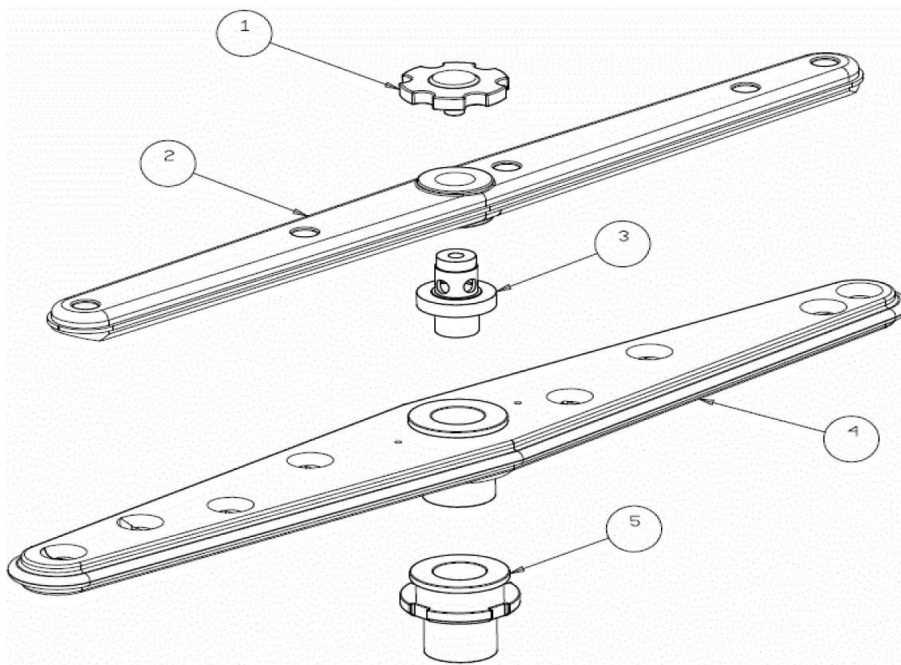
POS	CODE	DESCRIZIONE	DESCRIPTION	QTA
1	900444	BOILER B 12LT. 2015	BOILER B 12LT. 2015	1
2	907297	TERMOSTATO SICUR. 110° PASTIGLIA	SAFETY THERMOSTAT 110° PADDLE	1
3	TR0115	OR RES. FLANG. 9/10/12/14 KW	OR FLANGE ELEMENT POWER 9/10/12/14 KW	1
4	TR0342	RESIST. BOILER 10KW 230V +OR	BOILER ELEMENT POWER 10KW 230V +OR	1
5	TR2433	VALVOLA ANTIRITORNO	NON-RETURN VALVE	1
6	TR3572	SUPP. POMPA DOPPIO RISCIAQUO	PUMP SUPPORT PRE RINSE	1
7	905382	RACC. 3 VIE RISCIAQUO	THREE-WAY CONNECTION RINSE	1
8	903713	MANICOTTO ASP. POMPA RISCIAQUO - PS 020	ASPIRATION SLEEVE RINSE PUMP - PS 020	1
9	902241	POMPA RISCIAQUO CRC-R DX	RINSE PUMP CRC-R RH	1
10	902390	ELETTROV. 1 VIA Ø10	1-WAY SOLENOID VALVE Ø10	1
11	905484	GRUPPO REGOLATORE 3.75 LT. GRIGIO	GREY REGULATOR GROUP 3.75 LT	1
12	907348	TUBO CARICO 90° 1500MM S 800 HW	WATER LOAD HOSE 90° 1500MM S 800 HW	1
13	902091	GHIERA AIR GAP	FERRULE AIR GAP	1
14	903392	GUARN. AIR GAP	AIR GAP GASKET	1
15	907313	AIR GAP	AIR GAP	1
16	907279	TUBO SILICONE 4X7	SILICONE HOSE 4X7	1
17	905283	PRESSOSTATO 65/10	PRESSURE SWITCH 65/10	1
18	904131	MOLLA PROTEZIONE TUBETTO	SPRING PROTECTOR TUBE	1
19	908558	COPERT. INTERNA BREAK TANK PLASTICA	PLASTIC INSIDE COVERING FOR BREAK TANK	1



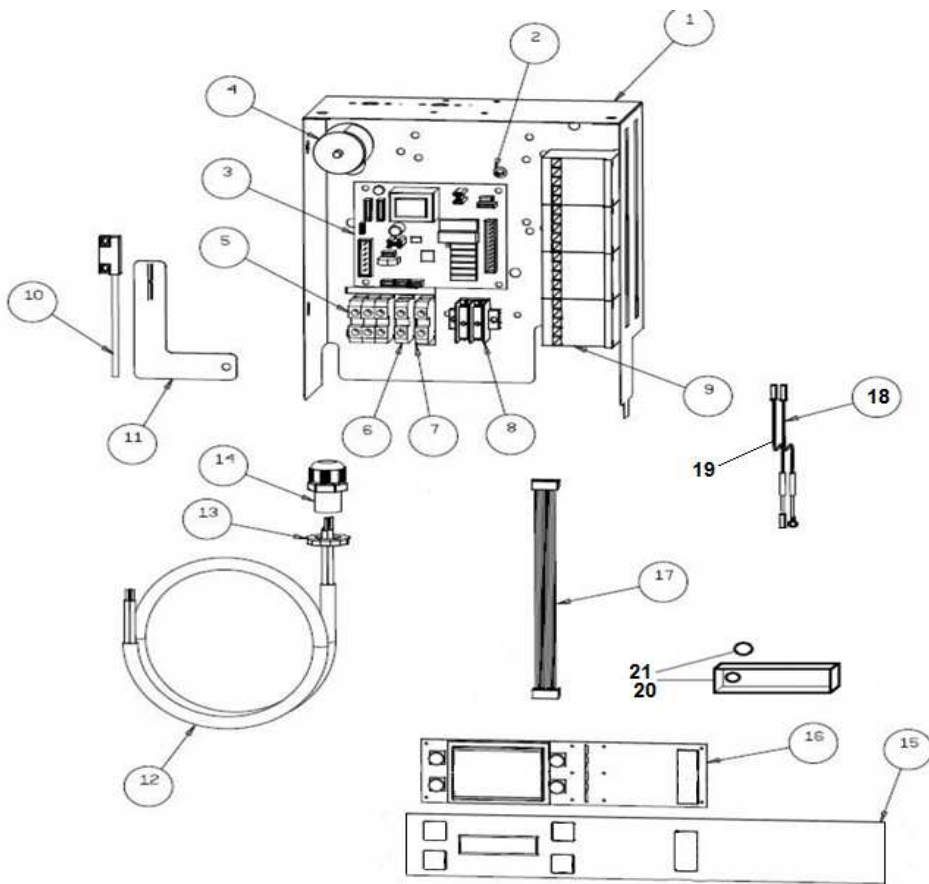
POS	CODE	DESCRIZIONE	DESCRIPTION	QTA
1	904753	PERNO LAV. INF. N1300	LOWER-WASH-ARM PIVOT N1300	2
2	900050	GHIERA MOPLEN MOZZO INFERIORE LAV. N1300	FERRULE MOPLEN LOWER WASH HUB N1300	2
3	906001	RONDELLA RIDUZ. 42X17X1 N1300	WASHER RIDUCTION 42X17X1 N1300	1
4	TR2448	GUARN. 2" N1300-LP-T-N SP.2MM	GASKET 2" N1300-LP-RACK/FLIGHT CONVEYOR 2MM	2
5	900049	MOZZO INF. LAV. N1300_N1300S	LOWER WASH HUB N1300_N1300S	2
6	903351	GUARN. FIBRA RACC. RISC. SUP.	GASKET FIBRE UPPER RINSE JUNCTION	2
7	908101	RACC. GOMITO 1/4" + RACC. D.12	ELBOW CONNECTION 1/4" + CONNECTION D.12	2
8	908712	MANICOTTO MANDATA INF. N1000/N1300	INLET SLEEVE LOWER N1000/N1300	2
9	908748	COLONNA LAV. LP57ALTA PPH	WASH COLUMN LP57 H PPH	1
10	903701	MANICOTTO ASP. E1000/N1000/N1300/TRAINO	ASPIRATION SLEEVE E1000/N1000/N1300/RACK CONVEYOR	1
11	908713	MANICOTTO MANDATA N1300 V.T./LP57	INLET SLEEVE N1300/LP57 (OLD TYPE)	1
12	902112	GHIERA 2"	FERRULE 2"	1
13	TR0115	OR RES. FLANG. 9/10/12/14 KW	OR FLANGE ELEMENT POWER 9/10/12/14 KW	1
14	TR0098	RACC. ASPIR. TRAINO - NASTRO - LP	ASPIRATION CONNECTION FLIGHT/RACK CONVEYOR LP	1
15	TR0977	RACC. ASPIR. 90° INT. VASCA	RIGHT-ANGLE CONNECTION INSIDE ASPIRATION TANK	1
16	908574	SUPP. POMPA LP57	PUMP SUPPORT LP57	1
17	902322	POMPA 1.42KW 400/3/50 N1300	PUMP 1.42KW 400/3/50 N1300	1
18	902080	GHIERA 1"1/4 ASPIR./SCAR.	FERRULE 1"1/4 ASPIRATION/DRAIN	2
19	904380	OR 1"1/4 RACC. ASPIR./SCAR.	OR 1"1/4 ASPIRATION/DRAIN JUNCTION	1
20	905450	RACC. SC. 1" 1/4	CONNECTION SC. 1" 1/4	1
21	907451	TUBO SCARICO Ø32 90° 1500MM	DRAIN HOSE Ø32 90° 1500MM	1
22	902111	GHIERA 3/8" PPL	PLASTIC FERRULE 3/8"	1
23	906036	GUARN. Ø16 P. SUGHERO	GASKET Ø16 CORK	1
24	907254	TRAPPOLA ARIA N45-N50-N90-N1000-N1300	AIR TRAP N45-N50-N90-N1000-N1300	1
25	907279	TUBO SILICONE 4X7	SILICONE HOSE 4X7	1
26	905321	PRESSOSTATO 30/135 N1300	PRESSURE SWITCH 30/135 N1300	1
27	902111	GHIERA 3/8" PPL	PLASTIC FERRULE 3/8"	1
28	903260	GUARN. 3/8" TR. ARIA	GASKET 3/8" AIR	1
29	906427	TAPPO 3/8"	CAP 3/8"	1
30	905748	RESIST. VASCA 3KW 230V	TANK ELEMENT POWER 3KW 230V	1
31	907243	TERMOSTATO SICUR. 95° PASTIGLIA	SAFETY THERMOSTAT 95° PADDLE	1
32	959751	FILTRO SUPERF. N1000/N1300 STAMPATA 2014	SURFACE FILTER N1000/N1300 2014	1
33	904898	FILTRO SENZA CILINDRO INOX Ø98MM	FILTER WITHOUT STAINLESS-STEEL BARREL Ø98MM	1
34	907340	TROPPO PIENO 285MM N1300 PPL	OVERFLOW CAP 285MM N1300 PPL	1
35	905410	RACC. SCAR. 90° 6-7-8-850 V.T.-N.T.	DRAIN CONNECTION 90° 6-7-8-850 OLD TYPE -RACK/FLIGHT CONVEYOR	1
36	903325	GUARN. RACC. BREAK TANK	GASKET BREAK TANK JUNCTION	1
37	908677	STAFFA FISS. COLONNA LAVAGGIO LP57-LP67-LP109	FIXING BRACKET FOR WASH COLUMN LP57-LP67-LP109	1



POS	CODE	DESCRIZIONE	DESCRIPTION	QTA
1	902880	GHIERA FERMO GIRANTI	FERRULE STOP ARMS	2
2	903028	GIRANTE RISC. INOX 4 "2013"	STAINLESS-STEEL RINSE ARM 4 2013	2
3	908771	PERNO GIRANTE RISC. PIATTA PPL E INOX	PIVOT FLAT RINSE ARM (POLYPROPYLENE AND STAINLESS STEEL)	2
4	902961	GIRANTE LAV. N1300 + MOZZO	WASH ARM N1300 + HUB	2
5	902891	MOZZO MOPLEN GIRANTE LAV. N1300	WASH ARM HUB MOPLEN N1300	2
	902890	GHIERA MOPLEN MOZZO GIRANTE LAV. N1300	FERRULE MOPLEN WASH HUB ARM N1300	2



POS	CODE	DESCRIZIONE	DESCRIPTION	QTA
1	901446	CASSETTA ELETTRICA CAPOT	ELECTRIC BOX HOOD TYPE	1
2	902193	DISTANZIALE TIMER ELETTRONICO	ELECTRONIC TIMER SPACER	1
3	907316	SCHEDA EVO2 FRONTALE ELCA 12 RELE	FRONT BOARD EVO2 12 RELAY	1
4	902107	FILTRO ANTIDISTURBO TRIFASE	ANTI NOISE FILTER THREE-PHASE	1
5	TR3178	MORSETTO 3P 16MM PASSANTE UNIVERSALE	CLAMP 3P 16MM UNIVERSAL THROUGH	1
6	904166	MORSETTO 1P 16MM	CLAMP 1P 16MM	1
7	904163	MORSETTO 1P 16MM TERRA	CLAMP 1P 16MM EARTH	1
8	904164	MORSETTO TRIPOLARE CON SPALLA	3-POLE CLAMP WITH BRACKET	1
9	907190	TELERUTTORE 9A 230V CON ATTUATORE LOVATO	CONTACTOR 9A WITH ACTUATOR LOVATO	1
10	909105	REED MAGNETICO N1000-N1300-LP57	MAGNETIC REED N1000-N1300-LP57	1
11	908504	SQUAD. REED N1000-N1300	BRACKET REED N1000-N1300	1
12	906788	CAVO ALIMENTAZ. 5X2.5X3500 H07	POWER-SOURCE CABLE 5X2.5X3500 H07	1
13	TR0138	GHIERA PRESSACAVO PG21	FERRULE CAGLE GLAND PG21	1
14	TR0136	PRESSACAVO PG21	CABLE GLAD PG21	1
15	900148	TARGA EVO2 SILANOS	PLATE EVO2 SILANOS	1
16	907316	SCHEDA EVO2 FRONTALE ELCA 12 RELE	FRONT BOARD EVO2 12 RELAY	1
17	900797	CAVO TELEFONICO SCHEDA EVO2/3 ELCA L=900MM	EVO2 BOARDS CONNECTION CABLE ELCA L=900MM	1
18	900543	SONDA NTC AD OCCHIELLO EVO 2/3 ELCA	PROBE EYE NTC EVO2/3 ELCA	1
19	900541	SONDA NTC A BULBO EVO2/3 ELCA	BULB PROBE NTC EVO2/3 ELCA	1
20	900800	GUSCIO ANTIPOLVERE PER SCHEDA FRONTALE EVO2/3 ELCA	DUST SHELL FOR FRONT BOARD EVO2/3 ELCA	1
21	900801	TAPPO GOMMA PER GUSCIO ANTIVAPORE ELCA	RUBBER CAP FOR ANTISTEAM PROTECTION	1



POS	CODE	DESCRIZIONE	DESCRIPTION	QTA
1	902052	DOSATORE DETERS. PERIST. SEKO	PERISTALTIC DETERGENT DOSING UNIT	1
2	902062	DOSATORE BRILL. PERIST. SEKO TEMPORIZZATO	PERISTALTIC RINSE DOSING UNIT WITH REGULATOR	1
3	952820	SUPP. DOS. PERISTALTICO DOPPIO	DOUBLE PERISTALTIC DOSING UNIT SUPPORT	1
4	907279	TUBO SILICONE 4X7	SILICONE HOSE 4X7	1
5	902046	TUBO CRYSTAL TRASP. 4X7	TRASPARENT HOSE 4X7	1
6	907278	TUBO CRYSTAL ROSSO 4X7	TRASPARENT-RED HOSE 4X7	1
7	906621	PESO + FILTRO POMPETTA DET./BRILL.	WEIGHT + FILTER RINSE PRODUCT/DETERGENT PUMP	1
8	902366	RACC. INOX ENTR. DETERSIVO VASCA	STAINLESS-STEEL INLET CONNECTION FOR DETERGENT IN TANK	1
9	903412	GUARN. FIBRA FORO POMPA DETERSIVO	GASKET FIBRE HOLE DETERGENT PUMP	1
10	906055	RONDELLA Ø10 P.	WASHER Ø10 P.	1
11	902022	DADO 10	NUT 10	1

