

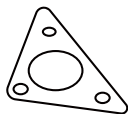
INSTALLATION INSTRUCTION



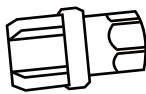
AX12



BX4



CX4



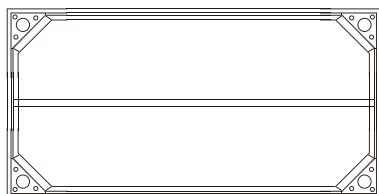
DX4



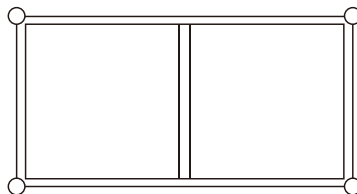
EX1



HX4

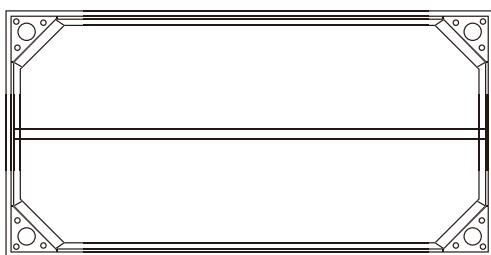


FX1



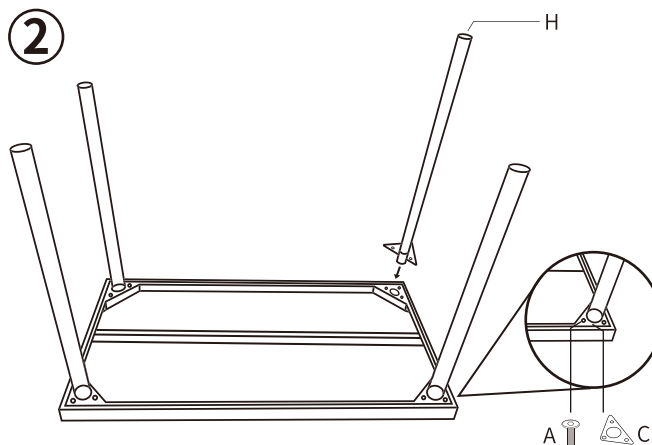
GX1

1

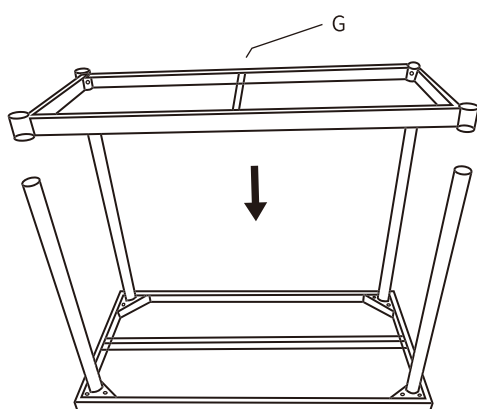


F

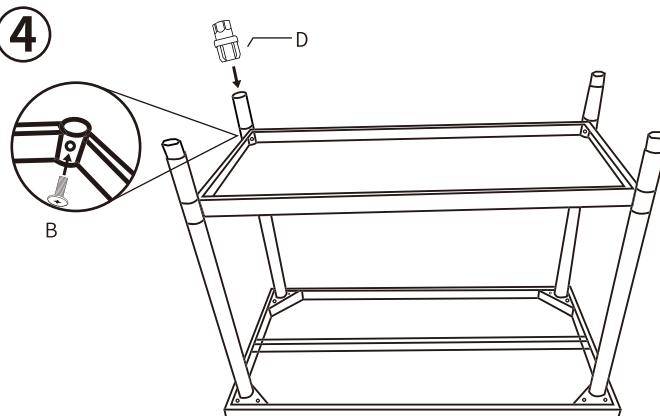
2



3



4



5

