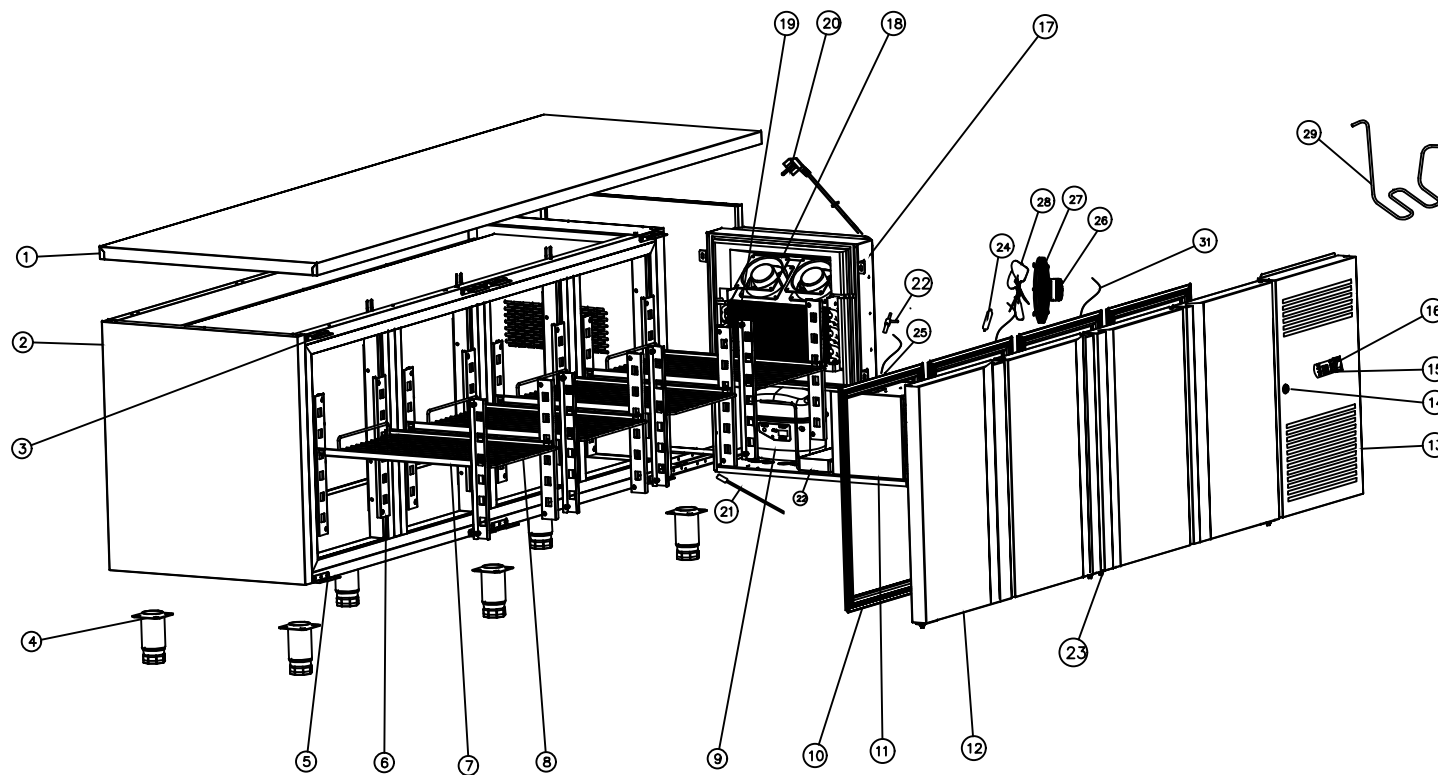


SNACK4100BT

HAMOKI



31	The heating wire	P3100-D01-JRS-A3
30	Solenoid valve	1028-2
29	High pressure pipe	WJ08-10-A2
28	blades	wj15-03
27	net	wj16-03
26	fan	7W-220V
25	capillary	WJ07-01
24	Dry filter	RE09
23	Return spring	WJ12-17
22	The water box	SL03-10
21	sensor	DQ04-01 DQ04-03
20	power cord	VDE16-3G10-2200
19	Evaporator	P4100EVAP30-D2
18	Evaporator Fan	SA1238A2HBL
17	Cassette unit	SNK4100FS-R290
16	Switch	RL2-GR
15	Thermostat	XR02CX-5R0C1
14	Lock	MS1035-1
13	Control panel	P3100-B258-02-A4
12	Door	P3100MTB201
11	Condenser	P3100COND4
10	Door gasket	SL12-01
9	Compressor	NUG120NA
8	Shelf	WJ11-24-A1
7	Guide	SNK2100-B21-01-A0
6	Ladder	P3100-B23-01-B0
5	Bottom hinge	WJ09-12-A1
4	Foot	WJ12-22
3	Upper hinge	WJ09-11-A1
2	Body	SNK4100XT201-DCB
1	Table	SNK4100TMB201
NO.	PART NAME	PART NUMBER