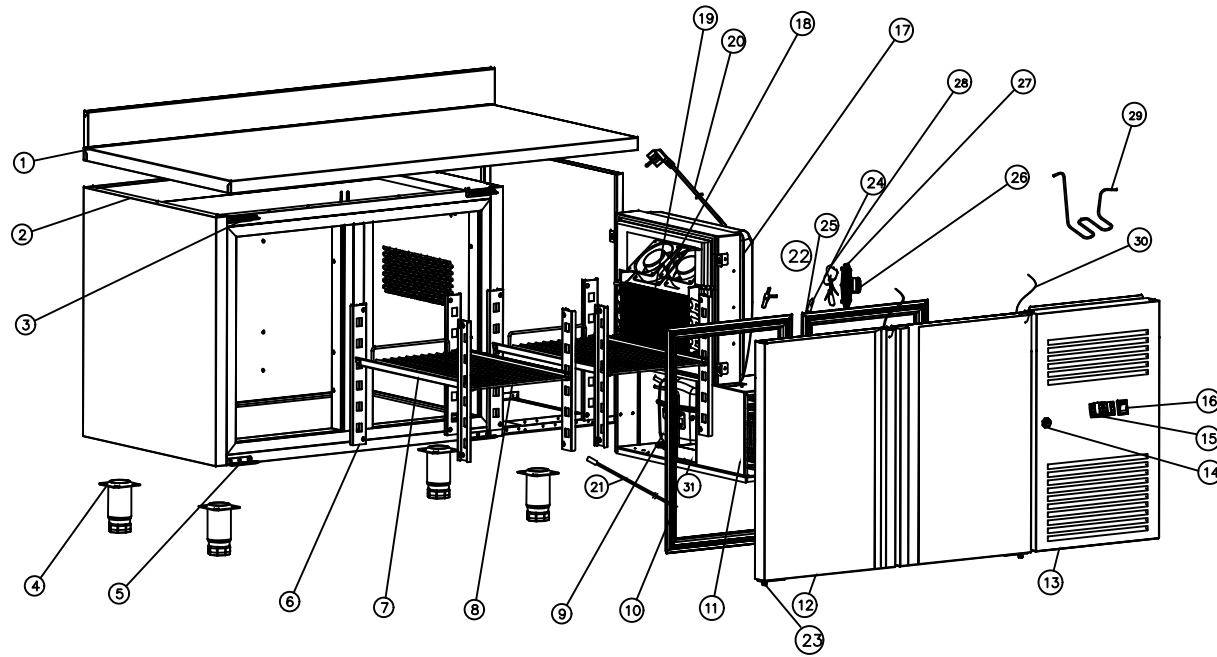


SNACK2200BT

# HAMOKI



|     |                    |                    |
|-----|--------------------|--------------------|
| 31  | The water box      | SL03-10            |
| 30  | The heating wire   | P3100-D01-JRS-A3   |
| 29  | High pressure pipe | WJ08-10-A2         |
| 28  | blades             | wj15-03            |
| 27  | net                | wj16-03            |
| 26  | fan                | 7W-220V            |
| 25  | capillary          | WJ07-01            |
| 24  | Dry filter         | RE09               |
| 23  | Return spring      | WJ12-17            |
| 22  | Solenoid valve     | 1028-2             |
| 21  | sensor             | DQ04-01 DQ04-03    |
| 20  | power cord         | VDE16-3G10-2200    |
| 19  | Evaporator         | P3100EVAP24-D2     |
| 18  | Evaporator Fan     | SA1238A2HBL        |
| 17  | Cassette unit      | SNK3100FS-R290     |
| 16  | Switch             | RL2-GR             |
| 15  | Thermostat         | XR02CX-5ROC1       |
| 14  | Lock               | MS1035-1           |
| 13  | Control panel      | P3100-B258-02-A4   |
| 12  | Door               | P3100MTB201        |
| 11  | Condenser          | P3100COND4         |
| 10  | Door gasket        | SL12-01            |
| 9   | Compressor         | NFG80NA            |
| 8   | Shelf              | WJ11-24-A1         |
| 7   | Guide              | P3100-B27-01-A0    |
| 6   | Ladder             | P3100-B23-01-B0    |
| 5   | Bottom hinge       | WJ09-12-A1         |
| 4   | Foot               | WJ12-22            |
| 3   | Upper hinge        | WJ09-11-A1         |
| 2   | Body               | SNK2100XT201-DCB   |
| 1   | Table              | SNKP2200TMB201-YTS |
| NO. | PART NAME          | PART NUMBER        |