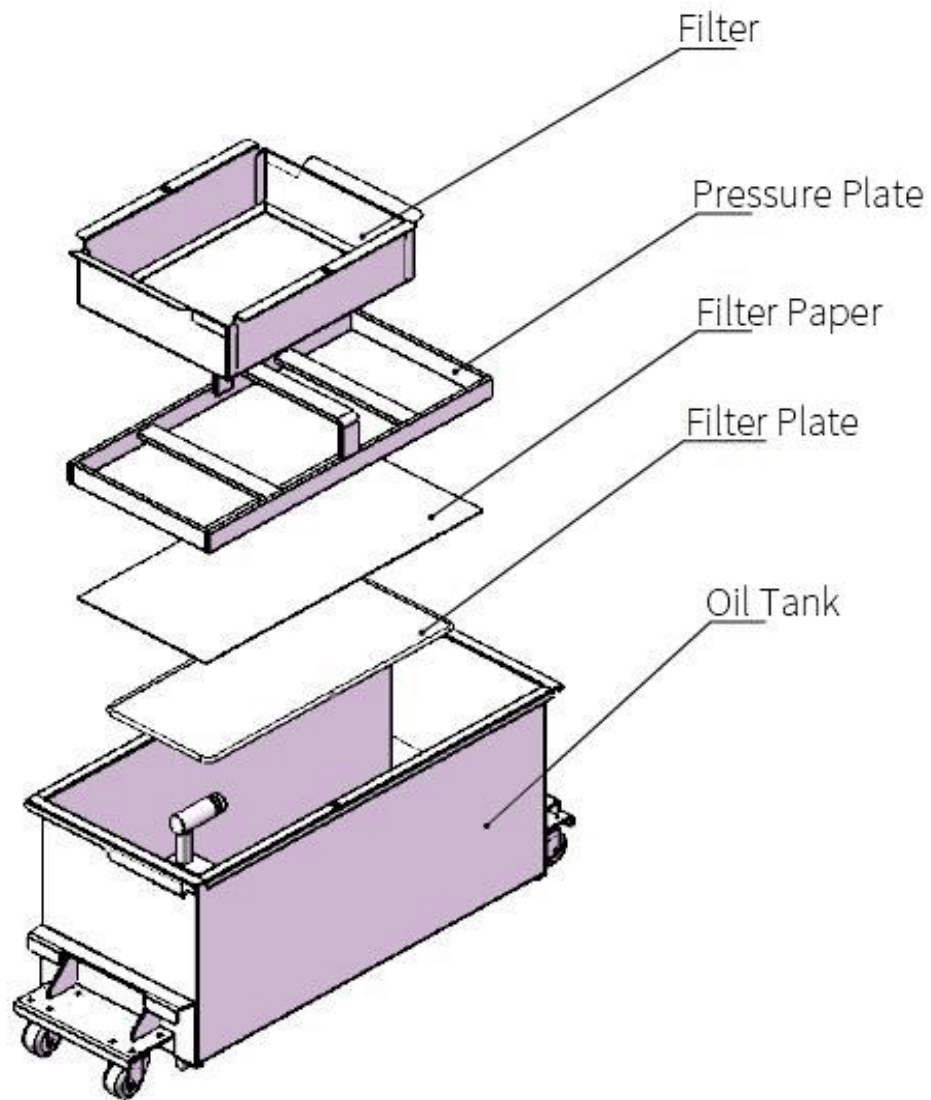


OIL FILTER PAPER PLACEMENT DIAGRAM



OIL PUMP DIAGRAM



PUMP HEAD IS THE MAIN PART FOR OIL PUMP IT NEEDS TO BE CLEANED AND KEPT MAINTENANCE DAILY. WHEN YOU DISASSEMBLE IT, FOLLOW UP THE FOLLOWING CHART

CHART2

DISASSEMBLE THE OIL PUMP COVER

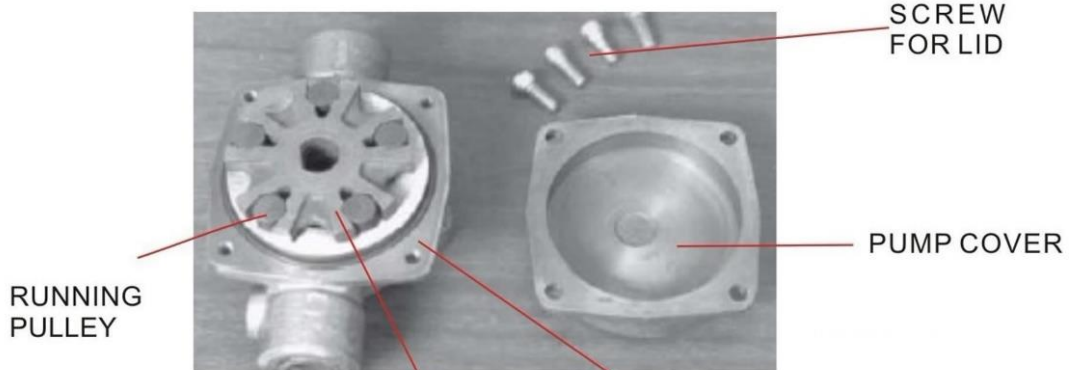


CHART3

VANE WHEEL FOR PUMP

PUMP FOUNDATION

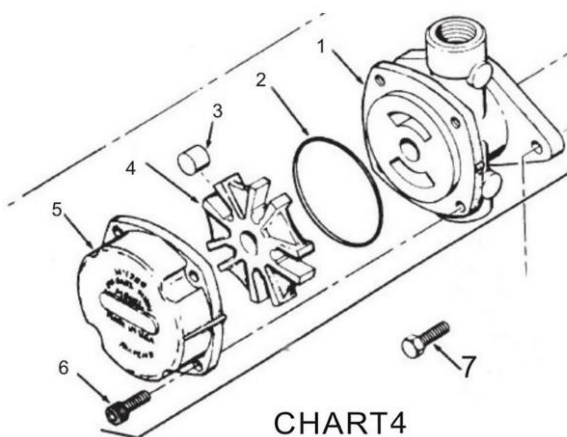


CHART4

- 1. PUMP FOUNDATION
- 2. SEAL RUBBLE
- 3. RUNNING PULLEY
- 4. VANE WHEEL
- 5. PUMP COVER
- 6. FASTENING SCREW FOR PUMP
- 7. FIX SCREW FOR PUMP HEAD

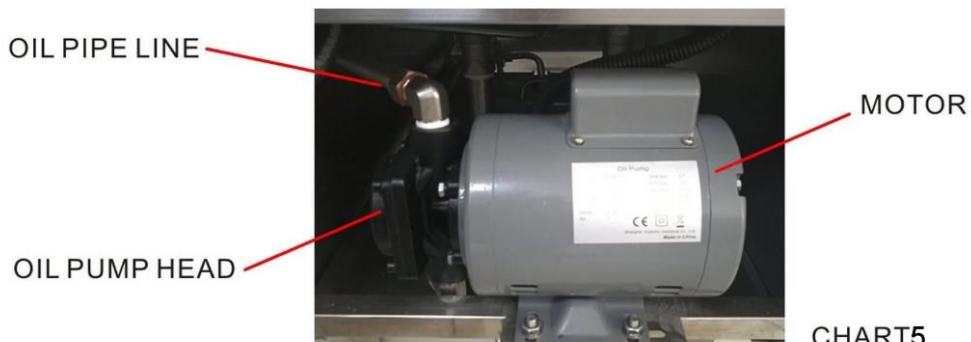


CHART5