



# Hamburger Machine

## Instruction Manual



Model: HF-100/HF-130

Please read this instruction manual carefully before operating this equipment

## 1. Installation

- Install the machine onto a solid, stable, non-slip surface. This area should be large enough to allow easy access & cleaning.
- Put the cellophane discs into the holder at the top of the machine.

## 2. Operation instruction

- Put one cellophane disc into the holder.
- Then place a small quantity of minced meat, according to the thickness required
- Place another cellophane disc on the meat.
- Pull the lever down to form the hamburger.
- Lift the lever, which will lift the hamburger for easy removal.

## 3. Specification:

Model	HF-100	HF-130
Diameter	ø100	ø130
N.W	5.24 kg	5.6 kg
G.W	5.84 kg	6.22 kg
Type	Table Top Unit	Table Top Unit

## 4. Cleaning

Clean the machine with damp cloth and then wipe off with a dry cloth carefully.

## 5. Warranty Claims

iMetto warrants to the original purchaser of every new product, under normal and proper use and maintenance service as specified by iMetto and upon proper installation and start-up in accordance with the instruction packet supplied with each unit. iMetto's obligation under this warranty is limited to a period of one (1) year from the date of original installation.

All claims for parts must be made directly through iMetto. All claims should include:

Personal Details:

Your name:

Your company:

Address:

Email:

Phone:

Products Details:

Model number:

Serial number of the product:

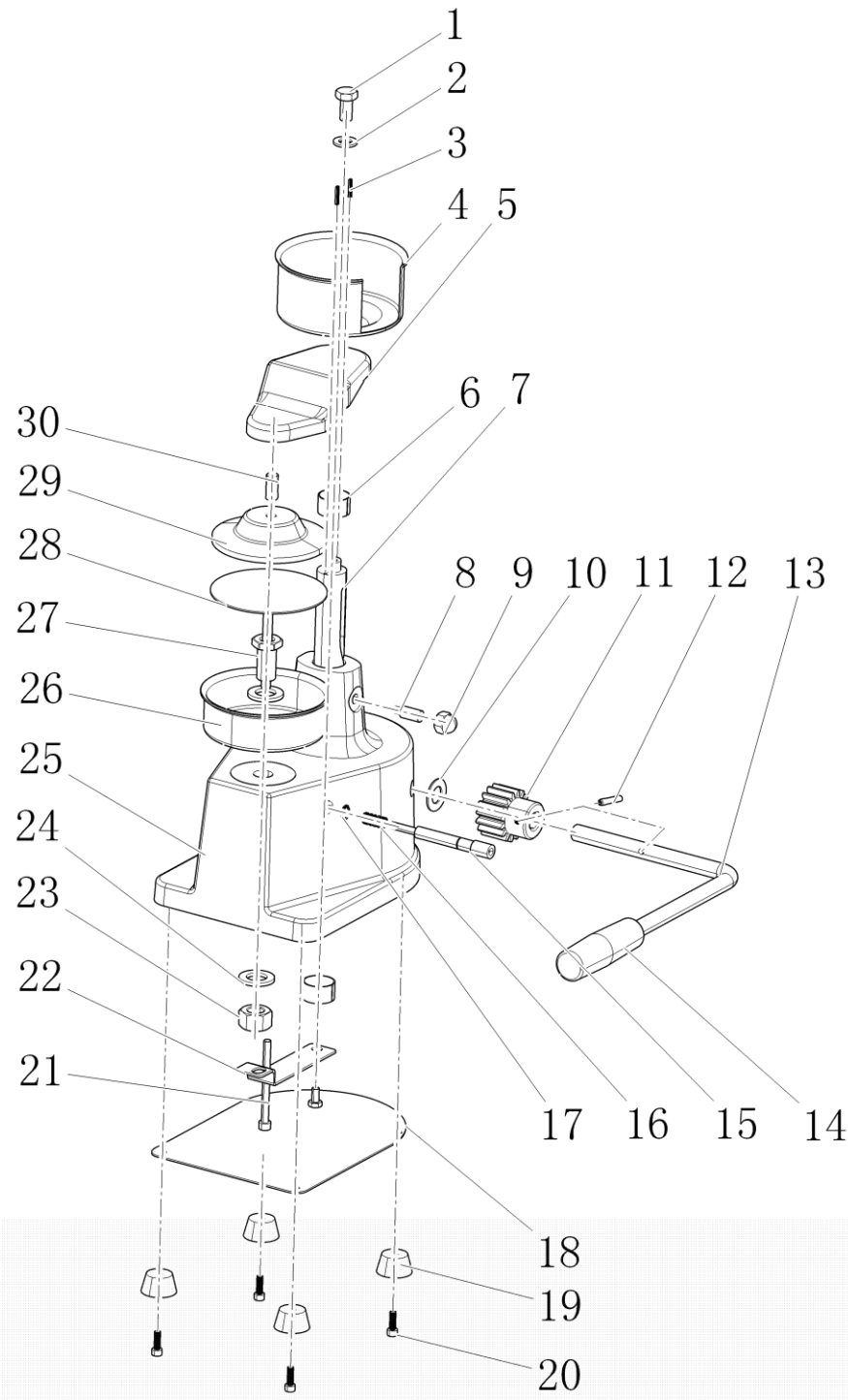
Date of purchase:

Proof of purchase :

Pertinent information supporting the existence of the alleged defect. (Such as picture etc.) Please send the above information to [services@imettos.co.uk](mailto:services@imettos.co.uk)

Our warranty departments will according to the actual situation and reply you within 24 hours.

## 6. Exploding diagram & Part Name



1	Hexagon bolt
2	Plain washers
3	Spring pin
4	Paper tray
5	Briquetting stents
6	bearing
7	Rack shaft
8	Screw
9	Acorn nut
10	Gasket
11	Gear
12	Pin
13	Handle setting shaft
14	Bakelite handle
15	Push bar
16	Spring
17	bead flange
18	Base board
19	Foot
20	Inner hexagon screw
21	Inner hexagon screw
22	Board
23	Thick hexagonal nut
24	Gasket
25	Body
26	Food tray
27	Swivel nut
28	Pressure plate
29	Briquetting
30	Hexagon bolt

**iMettoS<sup>®</sup>**

iMettoS Limited

[www.imettos.co.uk](http://www.imettos.co.uk)