

Pie Warmer Instruction Manual

Model: FW-580/FW-805



Please read this instruction manual carefully before operating this equipment

FOR YOUR SAFETY

This instruction manual contains information about the installation, operation and maintenance of the device and should be consulted as an important source of information and reference guide.

Awareness of the safety instructions and instructions for use in this manual will ensure the safe and correct use of the device.

In addition to the information given here, you should comply with any local Health and safety Controls and regulations.

The instruction manual forms part of the product and should be kept near the device and easily accessible for anyone carrying out the installation, servicing, maintenance or cleaning.

Safety:

This device is designed in accordance with the applicable technological standards. However, the device can pose a danger if handled improperly and inappropriately. All persons using the device must follow the recommendations and instructions in this instruction manual.

- Be sure to comply with the local regulations.
- The manufacturer cannot be held liable for any property damage or personal injury due to failure to comply with the safety regulations.
- Proper installation, sanitation and the illumination of the working area are the conditions for the safety of operation.
- Initial start-up of the appliance should be operated by qualified personnel.
- Be sure to connect the grounding plug.
- Keep the appliance out of the reach of children.
- Unplug the appliance when not in use.
- Should any malfunction occur, contact the retailer.
- It is highly recommended that you use genuine spare parts.
- Unplug the appliance before cleaning. Be sure that the power supply is cut off.
- Do not use a water jet to clean the appliance.

About this instruction manual:

This instruction manual contains information about the installation, operation and maintenance of the appliance and should be used as a source of information and reference guide. Awareness of the safety instructions and instructions for use in this manual will ensure the safe and correct use of the appliance.

In addition to the information given here, you should comply with any local Health and Safety Controls and generally applicable safety regulations. The instruction manual forms part of the product and should be kept near the appliance and easily accessible for anyone carrying out the installation, servicing, and maintenance or cleaning.

NOTE: Read the instruction manual carefully before using the appliance. We reserve the right to make technical changes for purposes of developing and improving the unit.

MODEL	POWER INPUT	RATED VOLTAGE	FREQUENCY	DIMENSIONS (MM)
FW-580	1000W	220-240V	50/60Hz	640X360X530
FW-805	1500W	220-240V	50/60Hz	865X360X625

Operation Instructions:

- Be sure the ventilation is good.
- Be sure that the supporting area is large enough and even.
- Do not store any flammable liquids in the vicinity of this appliance.
- Abide all the local regulations.

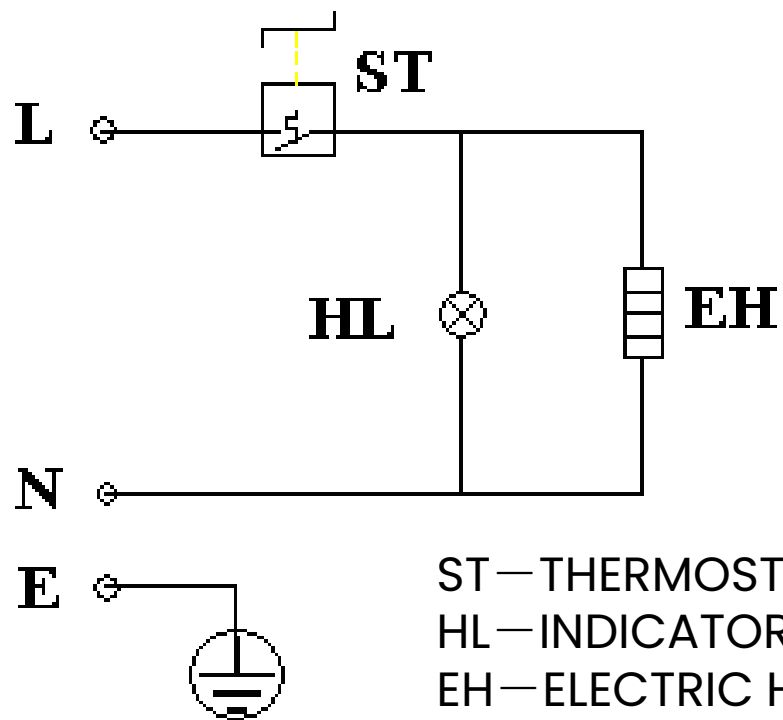
Connect the power supply. Press the switch and then rotate the thermostat knob clockwise to the desired temperature, the heating elements WILL begin to work. When it reaches the set temperature, the heating elements stop working.

Transportation and storage:

In the process of transportation, try to avoid shaking, collision, inversion and extrusion. Do not store it in a caustic environment.

At the end of its service life the device has to be disposed of in accordance with the national regulations. It is advisable to contact a company which is specialized in waste disposal, or just contact the local disposal service in your community. Ensure the device is unfit for use before disposal by disconnecting the device from mains supply and removing the mains connection cable from the device.

CIRCUIT DIAGRAM



WARRANTY

WARRANTY Hamoki Ltd warrants the original purchaser of every new product (under normal and proper use and maintenance service as specified by Hamoki Ltd and upon proper installation and start-up in accordance with the instruction packet supplied with each unit) a one year parts warranty.

Hamoki Ltd's obligation under this warranty is limited to a period of one (1) year from the date of original installation.

WARRANTY CLAIMS:

All claims for parts must be made **directly through the retailer** in the first instance. All claims raised with the retailer should include:

Your name:

Model number:

Your company:

Serial number of the product:

Address: Date of purchase:

Email: Proof of purchase :

Phone:

Information supporting the alleged defect.(A video/photo)

Photo of the dataplate.