

iMettoS[®] **Electric Bain Marie** Instruction Manual



Please read this instruction manual carefully before operating this equipment

Safety Tips



Read this instruction manual before using and keep them available at all times!

This instruction manual contains information about the installation, operation and maintenance of the device and should be consulted as an important source of information and reference guide. Awareness of the safety instructions and instructions for use in this manual will ensure the safe and correct use of the device.

In addition to the information given here, you should comply with any local Health and safety Controls and generally applicable safety regulations.

The instruction manual forms part of the product and should be kept near the device and easily accessible for anyone carrying out the installation, servicing, maintenance or cleaning.

Safety

This device is designed in accordance with the presently applicable technological standards. However, the device can pose a danger if handled improperly and inappropriately. All persons using the device must follow the recommendations and instructions in this instruction manual.

Safety instructions

- Please keep these instructions and give them to future owners of the device.
- Do not use the device in case it does not function properly, has been damaged or dropped.
- The device is not intended for use by individuals (including children) with physical or mental disabilities, insufficient experience, and/or insufficient knowledge unless such persons are under the care of a person responsible for their safety or have received instructions regarding appropriate use of the device.
- Children should be observed to ensure that they are not playing with the device.
- Only a qualified technician and using original spare parts and accessories should carry out repairs and maintenance of the device. Do not attempt to repair the device yourself.
- Do not use any accessory or spare parts that have not been recommended by the manufacturer. These can be dangerous for the user or lead to damages of the device or personal injury, and further, the warranty expires.
 - To prevent hazards and to ensure optimum efficiency, no modifications or alterations to the device that are not explicitly approved by the manufacturer may be undertaken.
- Never allow the power cable to come into contact with heat sources or sharp edges. The power cable should not hang over the side of the working surface. Ensure that no one can step on or trip over the cable.
- The power cable must not be folded, bent or tangled, and must always remain fully unrolled. • Never place the device or other objects on the power cable.
- Do not lay the cable over carpets or heat insulations. Do not cover the cable. Keep away the cable from operating range and do not dunk it into water.
- Inspect the power cable regularly for damage. Never use the device if the cable is damaged. If the power cable is damaged, have an authorised service center or qualified electrician replace it.

- The device is not adapted for use with an external timer or remote control.
- Never leave the device unattended when in use.
- Do not move or tilt the device when in operation.
- Only use the device indoors.

WARNING

! Any refitting, incorrect installation, adjustment and maintenance may cause wealth damage and death. Please contact the supplier and ask the trained professionals to adjust and maintain the product.

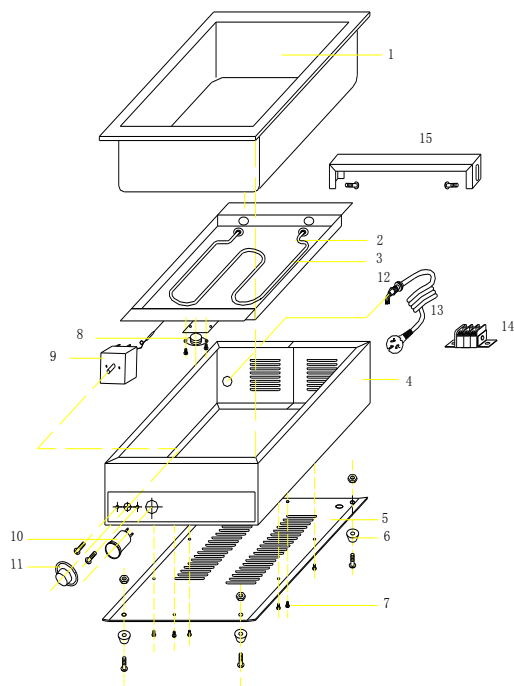
! For your safety sake, do not put or store any flammable liquid, gas or other objects around the product.

Catalogue of Manual

A. Structure and accessory.....	4
1.1. Structure	
B. Product specification.....	4
C. Attention.....	4-5
3.1. Special attention	
3.2. Safety device	
3.3. Shut off the power after using	
D. How to use.....	5-6
4.1. Place the Bain Marie	
4.2. Fill suitable warm water into the Bain Marie	
4.3. Put food into the food plate and put the plate into the Bain Marie	
4.4. Get through power of Bain Marie and adjust temperature for warm	
4.5. Finish working	
E. Daily check.....	6
F. Trouble shooting.....	6
G. Installation of product.....	6
7.1. Attention before installation	
7.2. Installation of power supply	
H. Circuit diagram.....	7
I. Maintenance diagram and accessory attachment.....	8
J. Waste disposal	9
K. WARRANTY	9

A. Structure and Accessory

1.1. Structure



B. Product specification

Model		BM-165
Drain valve		No
Dimension	Width	354mm
	Depth	615mm
	Length	255mm
Voltage		220-240V
Power		1.2kw
Frequency		50/60Hz

C. Attention

3.1. Special attention

WARNING

! This Bain Marie is not suitable for family. This Bain Marie must be operated by trained cook because it is commercial machine.

! Do not shake and tilt the Bain Marie.

! Do not open the shell of the Bain Marie. Otherwise the alteration of shell may get an electric shock in the cause of high tension.

! Do not pat the product or put heavy thing onto the product.
! Do not touch the Bain Marie or other parts during the operation.
! Do not get through electricity in case of damage and fire accident when there is not water in the Bain Marie.
! When the thunder is coming, cut off power soon. It will avoid the machine being damaged by thunderbolt.
! Do not destroy the control panel with hard or sharp things.

3.2. Safety device

The temperature limiter (121°C) can cut off the power when the temperature is abnormal.

3.3. Shut off power after using

·When do not using the product, please rotate adjuster counter-clockwise to the off position. Then unplug the machine and cut off power.

D. How to use

4.1. Place the Bain Marie

- Put stable the Bain Marie onto horizontal place.
- Rotate the adjuster of Bain Marie counter-clockwise to the off position.

4.2. Full suitable warm water into the Bain Marie

- The volume of water is coordinated with the depth of the food plate.
- Generally speaking, after putting on food plate, it is suitable that warm water soaks the bottom of the food plate and water around the plate will rise and be away from the bottom of food plate 25cm.

4.3. Put food plate and the food into the Bain Marie

4.4. Get through the power of Bain Marie and adjust temperature for warm

- Insert the plug into the socket and turn on switch. The indicator is on. Turn the temperature adjuster clockwise to a suitable position. The machine works.
- How to lower temperature: Turn temperature adjuster counter-clockwise.
- How to arise temperature: Turn temperature adjuster clockwise.

4.5. Finish working

- Turn the temperature adjuster counter-clockwise to the off position, unplug the machine and cut off power supply.
- Pour water out of the basin. (High temperature! Do not touch it directly)
- Use wet cotton cloth to clean besmirch for reference. (High temperature! Do not touch it directly)

WARNING

1. Do not sprinkle water directly to clean in case the water damages the product.
2. If the power code damages, it must be changed with the special code (IEC60245--57) or bought from manufacturer or maintenance department. The changes must be done by specific professionals.

E. Daily Check

WARNING

Must check the machine usually.
It can prevent from heavy accident happening.
If user thinks there are some troubles in the circuit or machine, stop using.

Everyday check the state of the machine carefully before and after using.

Before: Is the machine tilted?

Is the control panel broken?

Is the power cord old, crack or damaged?

When using: Is there any peculiar smell or stink? Is there any strange sound?

F. Trouble Shooting

Trouble	Check
Light is not on	Does the power supply connect?
	Is there electricity in electric net?
Water doesn't heat	Does the power supply connect?
	Is there electricity in electric net?
	Is the adjusted temperature of temperature adjuster too low?
Water is boiled	Is the adjusted temperature of temperature adjuster too high?

The above items are for reference. If there are any troubles, please stop using and advice the professionals to check and maintain the machine.

G. Installation of Product

7.1. Attention before Installation

The installed place must be horizontal and stable.

Do not store any inflammable object near the installed place.

The environment temperature: 0°C to 35°C.

The relative humidity: under 85%

Are all accessories ready?

Is the appearance damaged?

7.2. Installation of Power Supply

WARNING

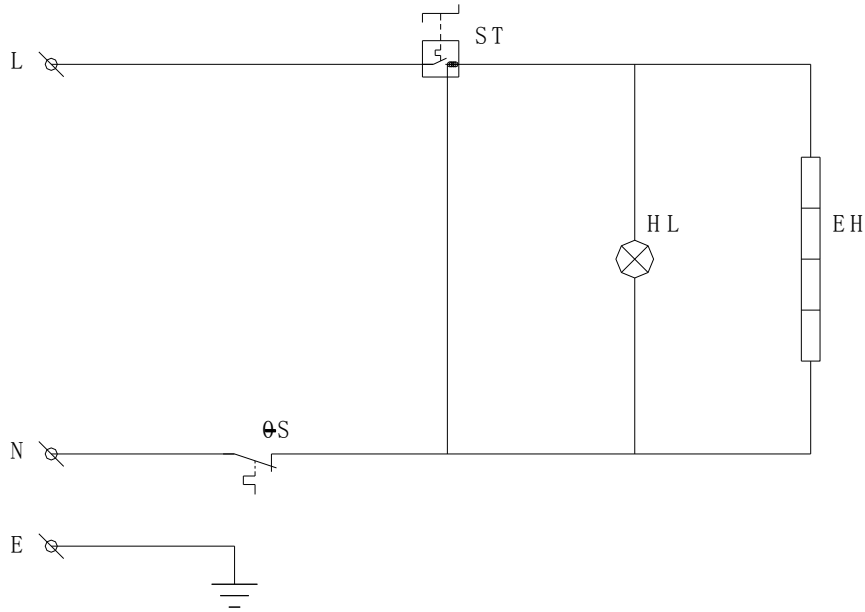
Do not use any power supply that is not coordinated with the supplied power.

Do not use any air switch and leakage switch that is not coordinated with safety regulation.

NOTE

The installation and maintenance must be done by professionals.

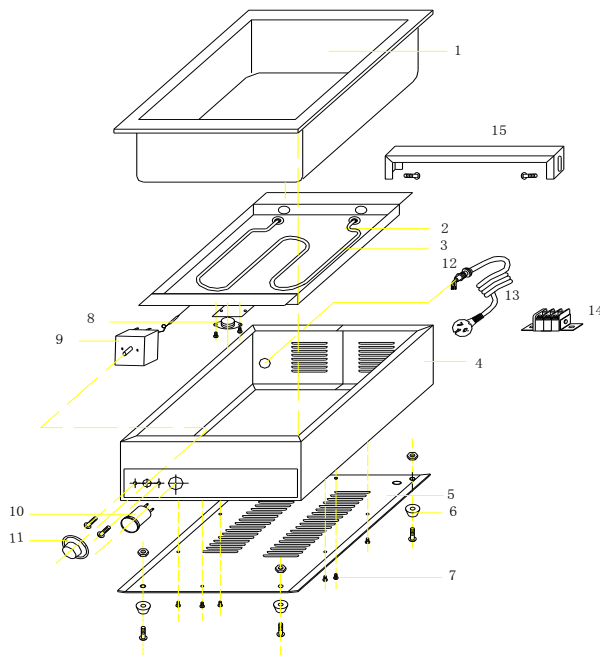
H. Circuit Diagram



Sign	Name	Specification	Number
ST	Energy adjuster	EGO	1
θS	Thermostat	121 °C 220-240V 15A	1
HL	Indicate light	250V	1
EH	Heating component	220-240V 1.2KW	1

I. Maintenance diagram and accessories list

9.1. Maintenance diagram



9.2 Accessories list

Number	Name	Specification	Piece	Remark
1	Marie basin	Stainless steel S=0.8	1	
2	Heating component	220-240V 1.2kW	1	
3	Heating component box	Galvanized sheet S=0.8	1	
4	Shell	Stainless steel S=0.8	1	
5	Bottom panel	Galvanized sheet S=0.8	1	
6	Foot	Plastic	4	
7	Screw	Steel M4x8mm	8	
8	Temperature limiter	L175(121°C 15A 120V)	1	
9	Energy adjuster	50.5706.010	1	EGO
10	Power indicate	0589 220-240V	1	
		LH-580-N 110V		
11	Knob	ADS777	1	
12	Power code jacket	ADS777	1	
13	Power code	SJTO A.W.G16 3C	1	
	Plug	EL-302	1	Match with the code
14	Ceramic connect terminal	Three-phase 250V 15A	1	
15	Bracket	Aluminized sheet	2	

J. Waste disposal

Discarding old devices

At the end of its service life the discarded device has to be disposed in accordance with the national regulations. It is advisable to contact a company which is specialized in waste disposal, or just contact the local disposal service in your community.

WARNING!

To exclude any abuse and the dangers involved make the waste device unfit for use before disposal. For that purpose disconnect device from mains supply and remove mains connection cable from the device.

CAUTION!

For the disposal of the device please consider and act according to the national and local rules and regulations.

K. WARRANTY

iMettos warrants to the original purchaser of every new product, under normal and proper use and maintenance service as specified by iMettos and upon proper installation and start-up in accordance with the instruction packet supplied with each unit. iMettos' obligation under this warranty is limited to a period of one (1) year from the date of original installation.

WARRANTY CLAIMS

All claims for parts must be made directly through iMettos. All claims should include:

Personal Details:

Your name:

Your company:

Address:

Email:

Phone:

Products Details:

Model number:

Serial number of the product:

Date of purchase:

Proof of purchase :

Pertinent information supporting the existence of the alleged defect.(Such as picture etc.)

Please send the above information to services@imettos.co.uk

Our warranty departments will according to the actual situation and reply you within 24hours.



iMettoS Limited

www.imettos.co.uk