



# Waffle Maker

## Instruction Manual



Please read this instruction manual carefully before operating this equipment

## Safety Tips



Read this instruction manual before using and keep them available at all times!

This instruction manual contains information about the installation, operation and maintenance of the device and should be consulted as an important source of information and reference guide.

Awareness of the safety instructions and instructions for use in this manual will ensure the safe and correct use of the device.

In addition to the information given here, you should comply with any local Health and safety Controls and generally applicable safety regulations. The instruction manual forms part of the product and should be kept near the device and easily accessible for anyone carrying out the installation, servicing, maintenance or cleaning.

Please keep these instructions and give them to future owners of the device.

## Safety

This device is designed in accordance with the presently applicable technological standards. However, the device can pose a danger if handled improperly and inappropriately.

All persons using the device must follow the recommendations and instructions in this instruction manual.

### Safety instructions

- The device is not intended for use by individuals (including children) with physical or mental disabilities, insufficient experience, and/or insufficient knowledge unless such persons are under the care of a person responsible for their safety or have received instructions regarding appropriate use of the device.
- Children should be observed to ensure that they are not playing with the device.
- Never leave the device unattended when in use. • Only use the device indoors.
- The device is not adapted for use with an external timer or remote control.
- This device may only be operated in technically proper and safe condition.
- Prevent access of children to the package materials like plastic bags and foamed polystyrene elements. Suffocation hazard!

- Only a qualified technician and using original spare parts and accessories should carry out repairs and maintenance of the device. Do not attempt to repair the device yourself.
- Do not use any accessory or spare parts that have not been recommended by the manufacturer. These can be dangerous for the user or lead to damages of the device or personal injury, and further, the warranty expires.
- To prevent hazards and to ensure optimum efficiency, no modifications or alterations to the device that are not explicitly approved by the manufacturer may be undertaken.



**HOT SURFACE! Burn hazard!**

Follow the safety instructions listed in order to avoid the hazard:

- The housing and the grill plates of the appliance become very hot. during operation. Do not touch them with bare hands. Use always the operating handle in order to open the device. Use appropriate kitchen utensils for laying and taking of food.
- Also after switching off, the device remains hot for some time. Before cleaning or moving it to another place wait until the device cools down first.
- Never move this appliance during operation.

**WARNING!**

Fire or explosion hazard! Follow the safety instructions listed in order to avoid the hazard:

- In order to avoid risk of fire and damage to the device, never place kitchen utensils, towels, paper and the like on the grill plate during operation.
- Never operate the device near combustible, easily flammable materials (e.g. petrol, spirit, alcohol etc.). They evaporate through heating and in case of contact with ignition sources deflagrations can occur which can lead to serious personal injuries and property damages.
- When a fire arises disconnect it from the power supply before you initiate appropriate measures for fire-fighting. Provide sufficient supply of fresh air.

**Caution:** Never extinguish the fire with water when the power plug is connected to the socket. Electric shock hazard!



## Warning

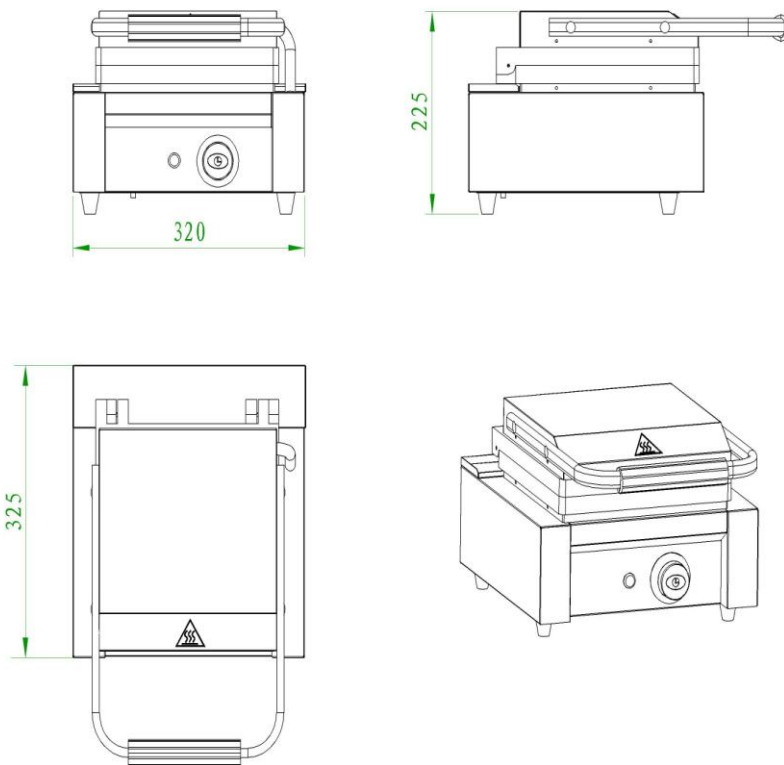
- ◆ Any self-modification, wrong installation, adjustment or maintenance can lead to property loss or casualty. Please contact the manufacturer for any adjustment or maintenance, and have the work done by a trained & qualified person.
- ◆ For your safety sake, please keep the machine away from any liquid, gas or other object, which is flammable or explosive.
- ◆ This appliance should not be operated by those who have physiological, perceptual or mental disabilities or those who have insufficient experience or knowledge (including children). Only in conditions of being given sufficient supervise & guarantee of personal safety, as well as proper instructions & guidance, those who were mentioned above can make some particular operation of this device.
- ◆ Keep children away from the device.
- ◆ Preserve this manual safely. When passing on/selling the device to a third party, the manuals must be handed over along with the device. All users must operate the device complying with the user's manual and related safety guidelines.
- ◆ Keep the mounting position away from flammable and explosive gas, liquid or object.
- ◆ If the appliance is placed near walls, partitions or kitchen furniture and the like, it is advisable to make these facilities with non-combustible material, otherwise cover them with non-combustible heat-resistant material, and pay attention to fire prevention regulations.

## 1. Functional Introduction

This product is manufactured by our company, which is combined with advantages from home and abroad. It is novel in design, reasonable in structure, easy in operation, stainless steel in making, durable in using and convenient in maintenance. The thermostatic control makes the temperature adjustable freely in a certain range according to food requirement. Therefore, it is the ideal equipment for hotel, supermarket, western restaurant, fast-food restaurant and food industry.

## 2. Structure Schematic Diagram & Working Principle

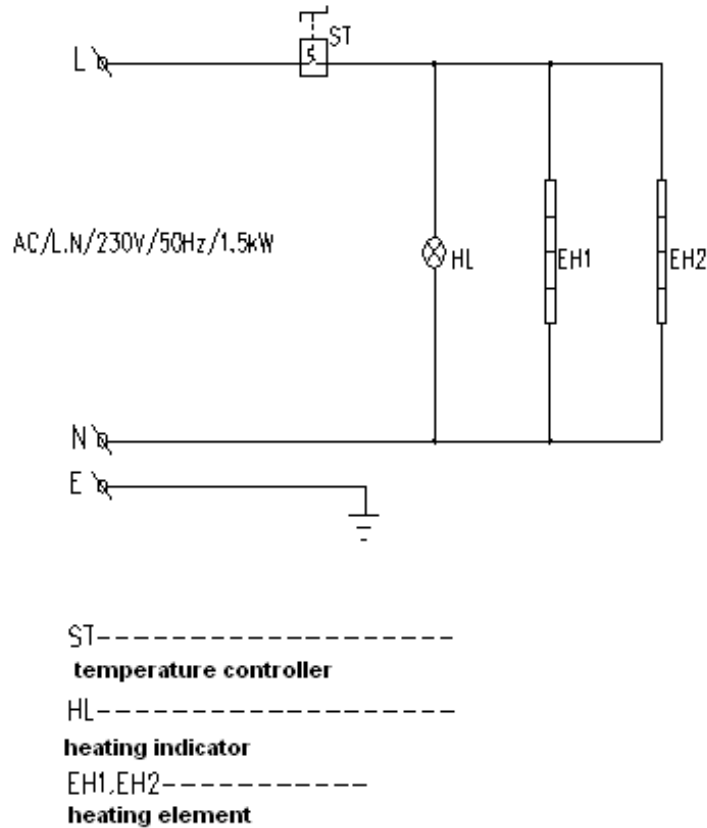
### Structure Schematic Diagram:



### 2.1 Structural & Functional Features

1. Smooth surface treatment, easy to clean, clear and sanitary.
2. Desired temperature can be set according to food requirement.
3. Stainless steel, elegant in appearance.
4. Fast in heating, easy in operation and convenient in maintenance.

**Electrical Diagram:**



**3. Basic Features & Parameters**

Name	Model	Voltage	Power	Dimension
1-Plate Waffle Baker	<b>WB-S</b>	220V-240V	1500W	320x325x225mm

**4. Precautions & Recommendations**

**4.1 Transportation and Storage**

During transportation, the machine should be carefully handled and do not put it upside down to prevent from damaging to the shell and inside. The packaged machine should be stored in a ventilated warehouse without corrosive gas. If it needs to be stored in open air temporarily, measurement against raining is needed.

## 4.2 Notice for Installment

1. The supply voltage should correspond with the working voltage of the appliance.
2. There is an earth stud at rear of the furnace body, which should be connected with a copper wire that no less than 1.5mm<sup>2</sup> and ground wire that complying with safety regulations reliably.
3. Check the connection, voltage and safety grounding after installation.
4. The appliance should be placed in a smooth area and kept a minimum clearance of 10cm away from the incombustible object on both sides and 20cm at the back (e.g. walls, windows etc.).
5. The fixed arrangement of wire should be equipped with a all-poles disconnecting switch whose poles have a contact separation at a minimum clearance of 3mm. Grounding leakage protection switch is recommended. Do not put any sundries in front of the switch for convenient operation sake.
6. The mounting position should keep away from the flammable and explosive objects. The ambient temperature should below 45°C and the relative humidity should below 85%.
7. Installation should be operated by professional technician.

## 4.3 Special Notice

1. This appliance is not applicable for home use.
2. This product is a commercial machine that needs to be operated by trained cook.
3. Do not sway or tilt the machine during operation.
4. Do not dismantle or self-modify the machine.
5. Dismantlement and self-modification may cause casualty.
6. Do not open the casing of the machine.
7. This product contains high-voltage circuit. Casing dismantlement may cause electric shock.
8. Unplug and cut the power supply off before cleaning.
9. Do not spray water directly onto the product during cleaning.
10. Water may conduct electricity, which may cause electric shock.
11. Do not pat the product or put any heavy objects onto it.
12. Abnormal operation may cause damage and danger.
13. High temperature may cause scald.
14. Do not touch the appliance with hands directly due to high temperature during or after operation.
15. To prevent from damages, turn the electric switch off as soon as possible when near the thunder zone.
16. Do not destroy the control panel with hard or sharp objects.
17. Turn the electric switch off when finish working.
18. Maintenance should be operated by qualified technicians.
19. If the power cord is damaged, in case of danger, replacement should be done by manufacturer or other maintenance departments or professional technicians.

## **5. Working Instructions & Operation Flow**

1. Before using, check that whether the power supply installation is normal and make sure the power supply voltage corresponds to the working voltage of the appliance.
2. Plug in the power outlet, rotate the temperature controlled knob to adjust the temperature to reach the desired range the food needs. The indicator is on and the appliance starts heating.
3. When the temperature reaches 250°C, coat the mould with edible vegetable oil, put the paste into the mould and cover the lid. When the food is finished, the operator can make another food. If all the food is finished, please cut off the power supply.
4. Users can set the time according to the difference of prescription of paste and luster of food customer likes. Generally, the longer the time lasts, the darker the luster will be. Otherwise, the lighter the luster will be. But the time cannot be too short, or the food will not be hot and with no luster.
5. Cleaning: Clean the appliance with wet towel containing non-corrosive detergent when finish working every day. Do not spray it with water directly or dip it in the water to clean, which may damage electric property and cause electricity safety accident.

## **6. Routine Inspection**

It is necessary to check the machine daily.

Check the machine regularly can avoid serious accident happens.

Stop using if user feels that there are some problems in the circuit or machine.

Check the situation of the machine before or after using every day.

Before using: Whether the machine is tilted?

Whether the control panel is damaged?

Whether the power line is aging, cracking or damaged?

During using: Whether there is strange smell or vibration noise?

Whether the temperature is out of control or any electric leakage?

Whether the power is normal?

## **7. Cleaning & Maintenance**

1. In case of accident, please turn the power supply off before cleaning.
2. Clean the surface and power line with wet towel containing non-corrosive detergent when finish working every day. Do not spray the appliance with water directly. Water infiltration may damage electric property and cause electricity safety accident.
3. If not going to use the appliance, please turn off the thermostat and power switch.
4. If not going to use the appliance for a long time, please clean it completely and store it in a well-ventilated warehouse without corrosive gas.



## 8. Failure Analysis & Trouble Shooting

Symptoms	Causes	Solutions
The power supply is connected and the indicator is on, but it does not heat up.	<ol style="list-style-type: none"> <li>1. The temperature detect switch is damaged.</li> <li>2. One or two of the heating elements burn out.</li> </ol>	<ol style="list-style-type: none"> <li>1. Replace the temperature detect switch.</li> <li>2. Replace the burnt-out heating element.</li> </ol>
The power supply is connected and the indicator is on, but the temperature keeps rising and out of control.	<ol style="list-style-type: none"> <li>1. The temperature detect switch is damaged.</li> </ol>	<ol style="list-style-type: none"> <li>1. Replace the temperature detect switch.</li> </ol>
The power supply is connected and heating is normal, but the indicator is off.	<ol style="list-style-type: none"> <li>1. The indicator is damaged.</li> </ol>	<ol style="list-style-type: none"> <li>1. Replace the indicator.</li> </ol>
Connect the power supply, it does not heat up and the indicator is off.	<ol style="list-style-type: none"> <li>1. The power supply is abnormal or disconnected.</li> </ol>	<ol style="list-style-type: none"> <li>1. Check the power supply.</li> </ol>

**Aforementioned troubles are just for reference. If any failure occurs, please stop using and inform professional technicians to check and repair.**

## **9.Waste disposal**

### **Discarding old devices**

At the end of its service life the discarded device has to be disposed in accordance with the national regulations. It is advisable to contact a company which is specialized in waste disposal, or just contact the local disposal service in your community.

### **WARNING!**

To exclude any abuse and the dangers involved make the waste device unfit for use before disposal. For that purpose disconnect device from mains supply and remove mains connection cable from the device.

### **CAUTION!**

For the disposal of the device please consider and act according to the national and local rules and regulations.

## **10.WARRANTY**

Hamoki warrants to the original purchaser of every new product, under normal and proper use and maintenance service as specified by Hamoki and upon proper installation and start-up in accordance with the instruction packet supplied with each unit. Hamoki's obligation under this warranty is limited to a period of one (1) year from the date of original installation.

### **WARRANTY CLAIMS**

All claims for parts must be made directly through Hamoki All claims should include:

Personal Details:

Your name:

Your company:

Address:

Email:

Phone:

Products Details:

Model number:

Serial number of the product:

Date of purchase:

Proof of purchase :

Pertinent information supporting the existence of the alleged defect. (Such as picture etc.)

Please send the above information to [sales@hamoki.co.uk](mailto:sales@hamoki.co.uk)



Hamoki Limited

[www.hamoki.co.uk](http://www.hamoki.co.uk)