

Convection Oven Instruction Manual

Model: YSD-1AE



**Please read this instruction manual carefully before
operation**

All the information and instructions in this manual take into account standard safety regulations, current levels of technical engineering as well as the expertise and experience we have developed over the years. If the delivery consists of a special model, the actual scope of delivery may differ from the descriptions and illustrations in this manual. This is also the case for special orders or when the device has been modified in line with new technology. Should you have any questions, please contact the manufacturer.

For safety purpose and efficient operation, please read the manual carefully before using the appliance, especially when starting up the device. Install the machine in accordance with this manual and the local rules.

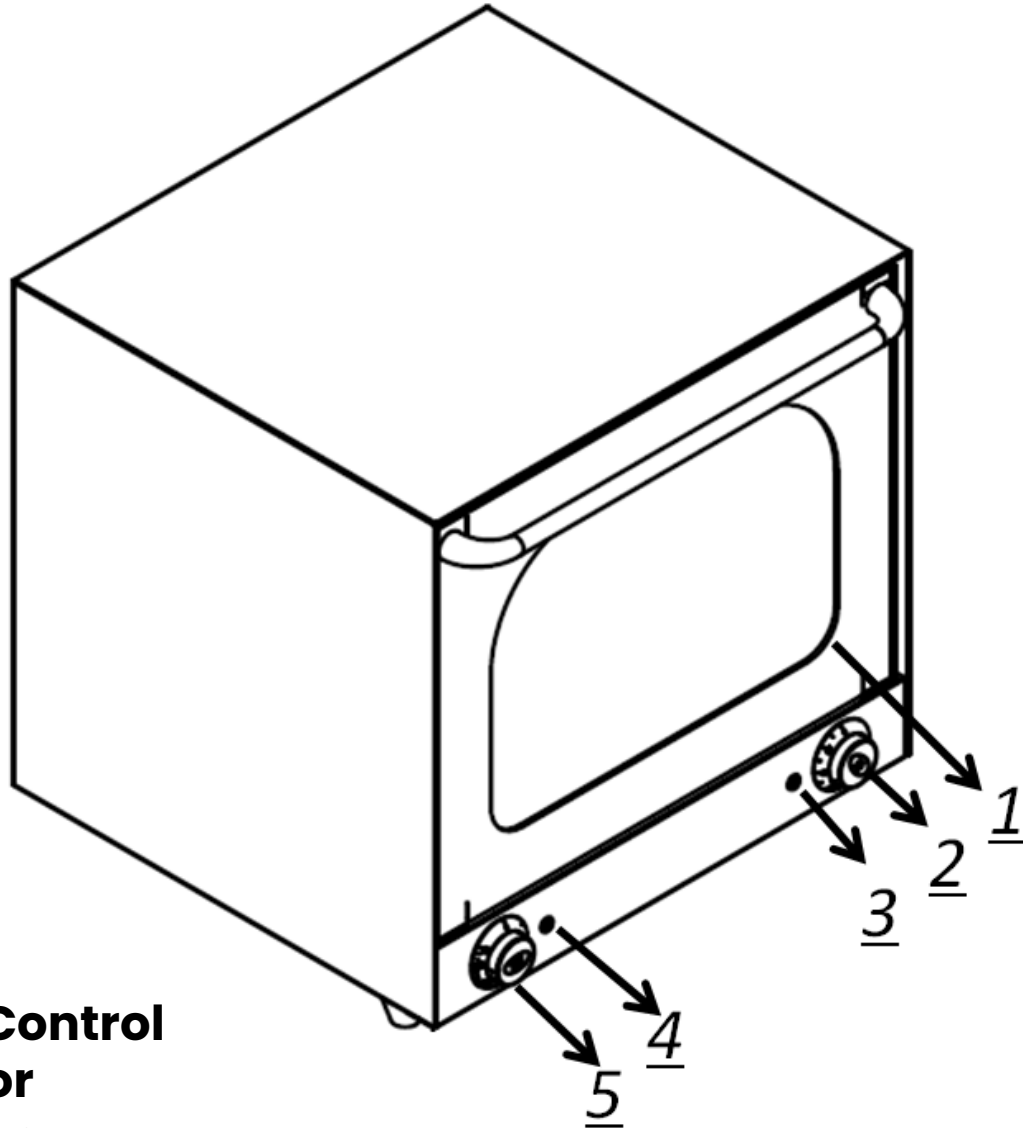
Read the instruction manual carefully before using the device. **The manufacturer does not accept liability for any damage or malfunction resulting from not following the instructions for use.**

The instruction manual should be kept near the device, easily accessible for anyone wishing to work it. We reserve the right to make technical changes for purposes of developing and improving the product.

Any self-modification, wrong installation, adjustment or maintenance can lead to injury or casualty. Have the work done by trained & qualified personnel.

- For your safety, please keep the machine away from any flammable or explosive liquid, gas and other object.
- The device is not intended for use by individuals (including children) with physical or mental disabilities, insufficient experience, and/or insufficient knowledge unless such persons are under the supervision of a person responsible for their safety or have received instructions regarding appropriate use of the device.
- Keep children away from the device.
- Preserve this manual safely. When passing on/selling the device to a third party, the manuals must be handed over along with the device. All users must operate the device complying with the user's manual and related safety guidelines.
- Do not store or use any inflammable or explosive gas, liquid or objects near the device.
- If this appliance is placed near walls, partitions or kitchen furniture and the like, it is advisable to make these facilities with non-combustible material, otherwise cover them with non-combustible heat-resistant material, and pay attention to fire prevention regulations.
- The device shell should be grounded to ensure safety.

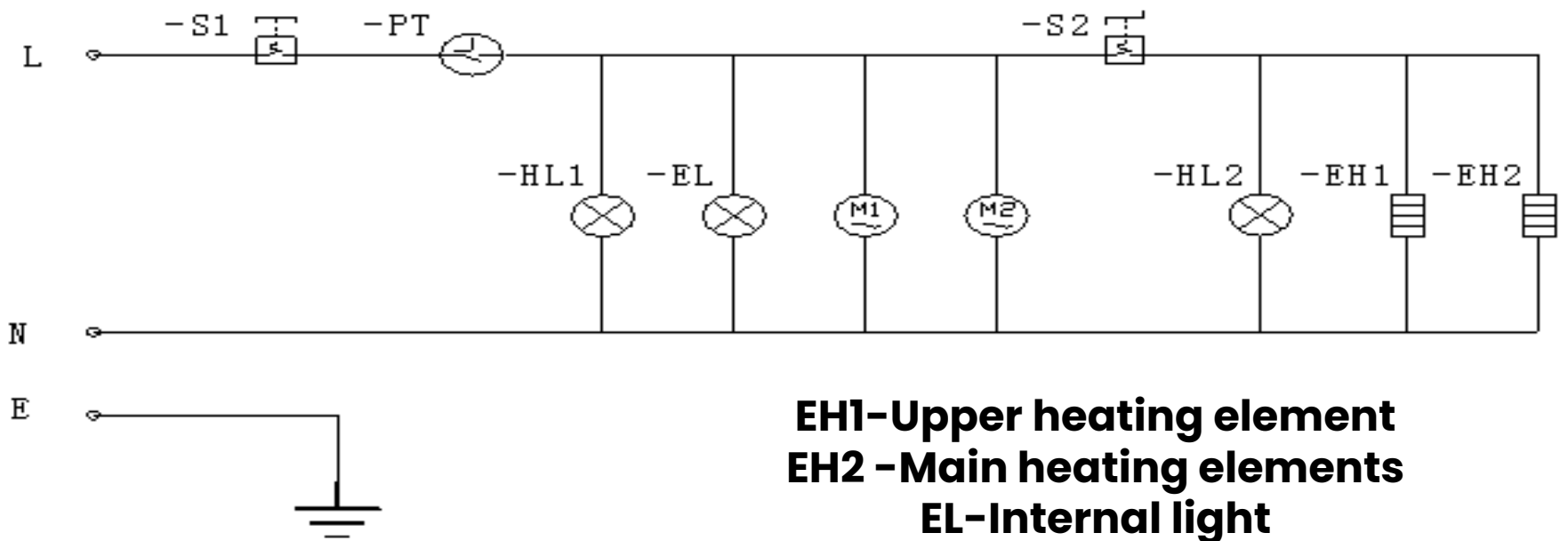
Structural Diagram & Working Principle



- 1. Furnace Body**
- 2. Temperature Control**
- 3. Power Indicator**
- 4. Timer Indicator**
- 5. Timer Control**

- The outer surface is processed with a smooth treatment, easy for cleaning
- Made of stainless steel material, with withdrawable s/s grid.
- Heats up quickly for convenient operation

Electric Diagram



EH1-Upper heating element
EH2 -Main heating elements
EL-Internal light
M1, M2-Convection fans
S2-Top heating Element Thermostat
S1-Fuse
PT-Timer
HL1~HL2-Probe lights

Basic Features & Parameters

MODEL	YSD-1AE	YSD-1A
CHAMBER MATERIAL	ENAMELLED	STAINLESS STEEL
DIMENSION (MM)	595 X 595X 570	595 X 595 X 570
VOLTAGE (V)	220-240	220-240
POWER (W)	2670	2670
LUMINANCE (W)	30	30
SAFETY DEVICE	TEMP FUSE 330c	TEMP FUSE 330c
FUNCTIONS	CONVECTION HEATER	CONVECTION HEATER
WEIGHT (KG)	35	35

Transportation and Storage:

During transportation, please handle the appliance carefully and DO NOT put upside down –this will prevent damage of the enclosure and inner parts. The packaged device should be stored in a well-ventilated warehouse of no corrosive gas. Please take appropriate precaution against rain.

Installation:

The Assembly of the Rubber Feet:

- The rubber feet must be mounted on the appliance. Do not use the oven without the rubber feet.
- Fasten the rubber feet to the oven bottom with screws.
- Adjust the oven height by the screw or unscrew the rubber feet directly.

- Install this device on a flat and stable surface.
- Remove the protective film.
- Take out the trays in the oven and clean them.
- Wipe the internal and external of the oven with a wet cloth and then dry them with a soft cloth.

The Connection of Power Supply

- Please make sure that the applicable power supply voltage and frequency comply with those indicated on the data plate prior to energize the device.
- After installation of the oven, install a bipolar switch between the oven and the power grid so that the contact opening distance between them can be maintained at least 3mm and the input power is appropriate.
- The oven shall be connected with the earth wire in the power grid.
- The oven must be in a system of equipotential so that the power can be maintained the same as indicated on the data plate. Such connections can be only achieved among the labelled wire terminals of different appliances.
- The minimum value of the equipotential conductor component is 10mm².
- Connect the power cord to the power supply and ensure that the power cord is connected reliably and in its proper place.

Notice:

- Make sure the connection of the power cord complies with the industrial standard.
- The supply voltage should be in accordance with the working voltage of the device. The supplied voltage shall not exceed the voltage range by $\pm 10\%$, otherwise it may cause fire or electric shock when violating the industrial standard. If you are not sure about the specification of the voltage, please contact the manufacturer.
- The device is equipped with grounding bolt at the back. Ensure it is connected to ground wire that complies with the copper wire no less than 1.5mm².
- After installation, check the tightness of all the connections, the correct functioning of the voltage and the reliability of the ground wire.

5. Set the device on a flat, secure surface, and make sure the sides are away from non-combustible material (e.g. Brick walls or windows) no less than 10 cm, and the rear at least 20 cm.
6. When installing, please ascertain that the device is far away from water or snow and it is advisable to place it near a fire extinguisher. The main reason for electric shocks and damages to the oven is a moist oven.
7. The installation must comply with the industry standard. Incomplete installation may cause accidents like electric shocks or water leakage.
8. The rubber feet must be mounted on the device safely. The oven without rubber feet cannot be used.
9. According to the wiring regulations, the fixed wiring connected to this appliance must be equipped with an all-pole disconnect switch (leakage switch), with at least 3mm contact opening distance of each pole of the switch. It is also advised to install grounded leakage protection switch. Do not pile items in front of the switch for convenient operation.
10. The installation of this device should be performed by a trained technician.
11. Do not store any flammable, explosive substances or volatile gases near the device. The ambient temperature should be lower than 45°C and the relative humidity should be lower than 85%.

Special Safety notes:

- The appliance is a commercial machine which is not applicable for home use and should be operated by professional personnel.
- Do not shake or tilt during use.
- Do not dismantle or modify the device in any way, serious accidents may happen when dismantling or modifying.
- Do not open the appliance enclosure. The appliance contains a high pressure electric circuit, electric shock may occur when dismantling the frame.
- Unscrew the plug and cut off the power when cleaning.
- Do not spray water directly onto the product when cleaning. Water in the item can cause electric shock.
- Do not pat the product and put heavy objects onto the product. Abnormal operation may cause damage.
- High temperature may cause scalding. Do not touch the appliance directly with bare hands due to high temperatures during or after the operation.
- During a thunderstorm, cut off the power supply asap to avoid damage done by the lightning stroke.
- Do not destroy the control panel with hard or sharp objects.
- Please do not tread, extrude, bundle up or forcefully twist the power cord, otherwise the power cord may become damaged and cause fire or electric shock.
- The oven is intended for baking cakes, pies, poultry, beef, pork, break, steak and so on. Do not use it for other purposes.
- Canned or bottled soda water cannot be heated in the oven, or the cans or bottles may explode and cause unnecessary injuries.
- Disconnect it from power after working.
- If the supply cord is damaged, the work should be done by a professional.

The Usage of the Timer:

- The cooking time can be set by rotating the timer clockwise. When the time is up, you can hear a tick sound and the oven will close automatically.
- During cooking, the oven can be turned off manually by just rotating the timer anti-clockwise to the "0" position.

Convection Heater:

- Turn on the oven power supply
- Set the temperature (0-300°C) you desire
- Rotate the time to the time (0-120min) needed. The temperature indicator, timer indicator and the internal light of the oven will come on.
- When the temperature reaches the heat you need, the power indicator will be off. If the temperature drops, the temperature indicator will be on again. This process will be repeated automatically.

Safety:

- Do not press and hold down the button continuously
- The excess vapor will come out from the drainage pipe
- The function of "convection heater" and "top heating" can only be operated separately, and cannot be used simultaneously.
- Do not operate any switches with wet hands otherwise it may cause electric shock
- When using the device, do not place any objects onto the oven due to the heat generated it can damage the objects.
- During use, the metal accessories and glass door will get hotter, therefore do not touch.
- The heat elements cannot be submerged in water. If water comes into contact with the connection part of the heating elements, it may cause short circuit or other consequences.
- If there's water in the chamber, do not pour out the water towards the glass door, or the glass door may break.
- Do not place heavy objects (120KG (280lb)) onto the oven.

Routine Check:

- It is a necessity to check and clean the machine regularly
- Stop use if you feel that there are problems with the circuit or machine.

Ensure that-

Before using:

Whether the machine is tilted?

- Whether the control panel is damaged?
- Whether the power cord is aged, broken or damaged?

During using:

Whether there is strange smell, odour or vibration noise?

- Whether the temperature is out of control or there's leakage?
- Whether the power is normal?

CLEANING AND MAINTENANCE

- Disconnect the power supply before any cleaning and maintenance to avoid electric shock.
- Open the oven door and wait till it cools down (at least 10mins) before cleaning it.
- Clean the chamber and storage place every day to maintain it.
- Every day after use, wipe the furnace and power cord with wet towel which contains no corrosive detergent. Do not flush the device directly with water to avoid water penetrating into the device and destroying its performance or causing electric shock.
- When item is not in use, turn off its power supply and then bundle up the power cord and put it onto the oven body.
- If the device is out of use for a long time, it is advisable to clean it completely and then store it in a well ventilated warehouse without corrosive gas.

Waste disposal

Discarding old devices:

At the end of its service life the discarded device has to be disposed in accordance with the national regulations. It is advisable to contact a company which is specialized in waste disposal, or just contact the local disposal service in your community.

WARNING! To avoid danger, make the device unfit for use before disposal. For that purpose disconnect the device from the mains supply and remove the mains connection cable from the device.

NOTE! For the disposal of the device please consider and act according to the national and local rules and regulations.

PROBLEM	CAUSE	SOLUTION
When connected to power, the heating indicator is on but it does not heat up.	1. The thermostat is defeated 2. At least one of the heating elements is burnt out	1. Replace the thermostat 2. Replace the burnt out heating elements
When connected to power, and rotating the thermostat, the heating indicator is on but the temperature rise is out of control	The thermostat is defected	Replace the thermostat
When connected to power, it heats up normally, but the indicator is off	The indicator is malfunctioning	Replace the indicator
Neither the indicator nor the heating elements work	-The power supply is abnormal and the device is not connected to power - The fuse is burnt out	-Check all the connections of the power cord to make it supply power normally -Replace the fuse

The aforementioned are just for reference. If any failure occurs, please stop using, and inform a professional technicians to check and repair.

WARRANTY

WARRANTY Hamoki Ltd warrants the original purchaser of every new product (under normal and proper use and maintenance service as specified by Hamoki Ltd and upon proper installation and start-up in accordance with the instruction packet supplied with each unit) a one year parts warranty.

Hamoki Ltd's obligation under this warranty is limited to a period of one (1) year from the date of original installation.

WARRANTY CLAIMS:

All claims for parts must be made **directly through the retailer** in the first instance. All claims raised with the retailer should include:

Your name:

Model number:

Your company:

Serial number of the product:

Address: Date of purchase:

Email: Proof of purchase :

Phone:

Information supporting the alleged defect.(A video/photo)

Photo of the dataplate.