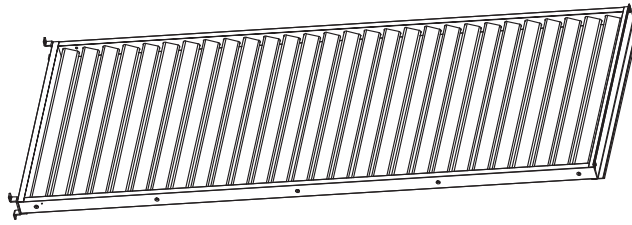


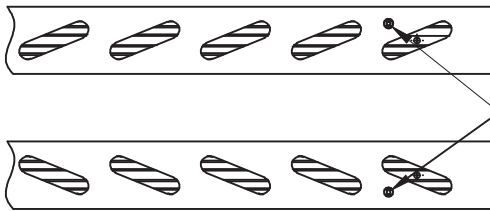
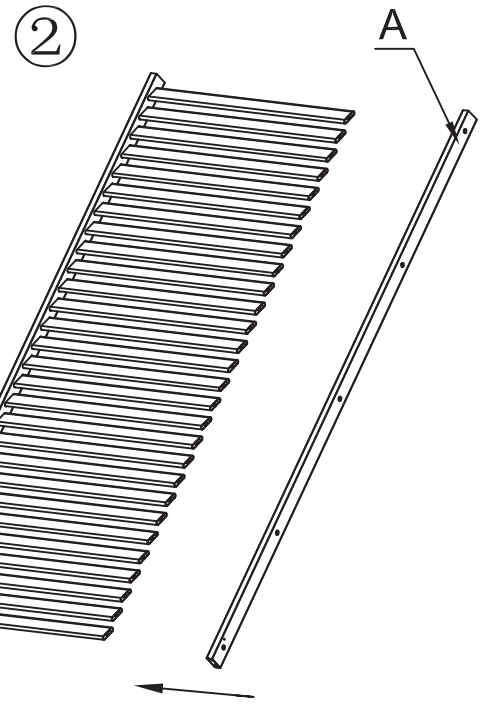
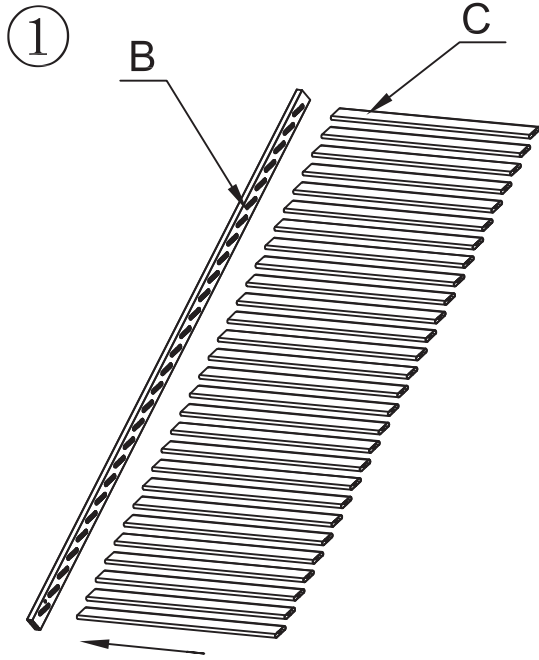
Lúxi

# Louver Wall

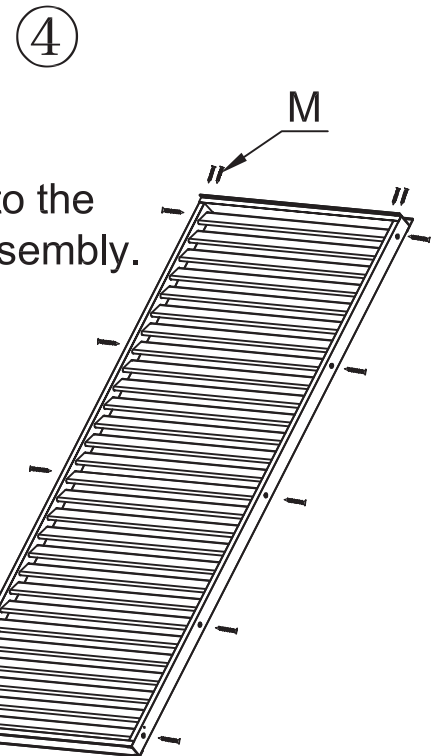
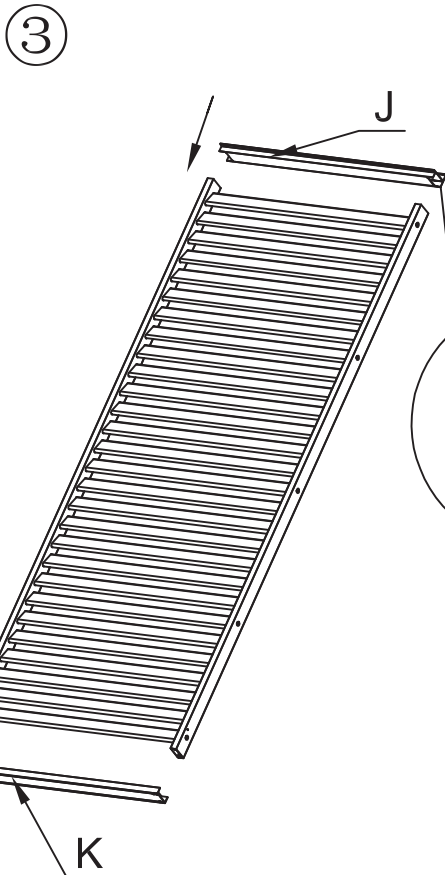


REF	PARTS	QTY	SPECS
A		1	
B		1	
C		28	
D		2	
E		4	ST5.5X50
F		4	8X40
G		2	ST4.8X38
H		2	ST4.8X25
I		11	ST4.8X30
J		1	
K		1	
L		2	
M		13	ST4.2X25

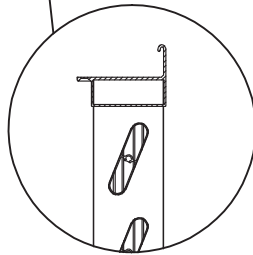
1



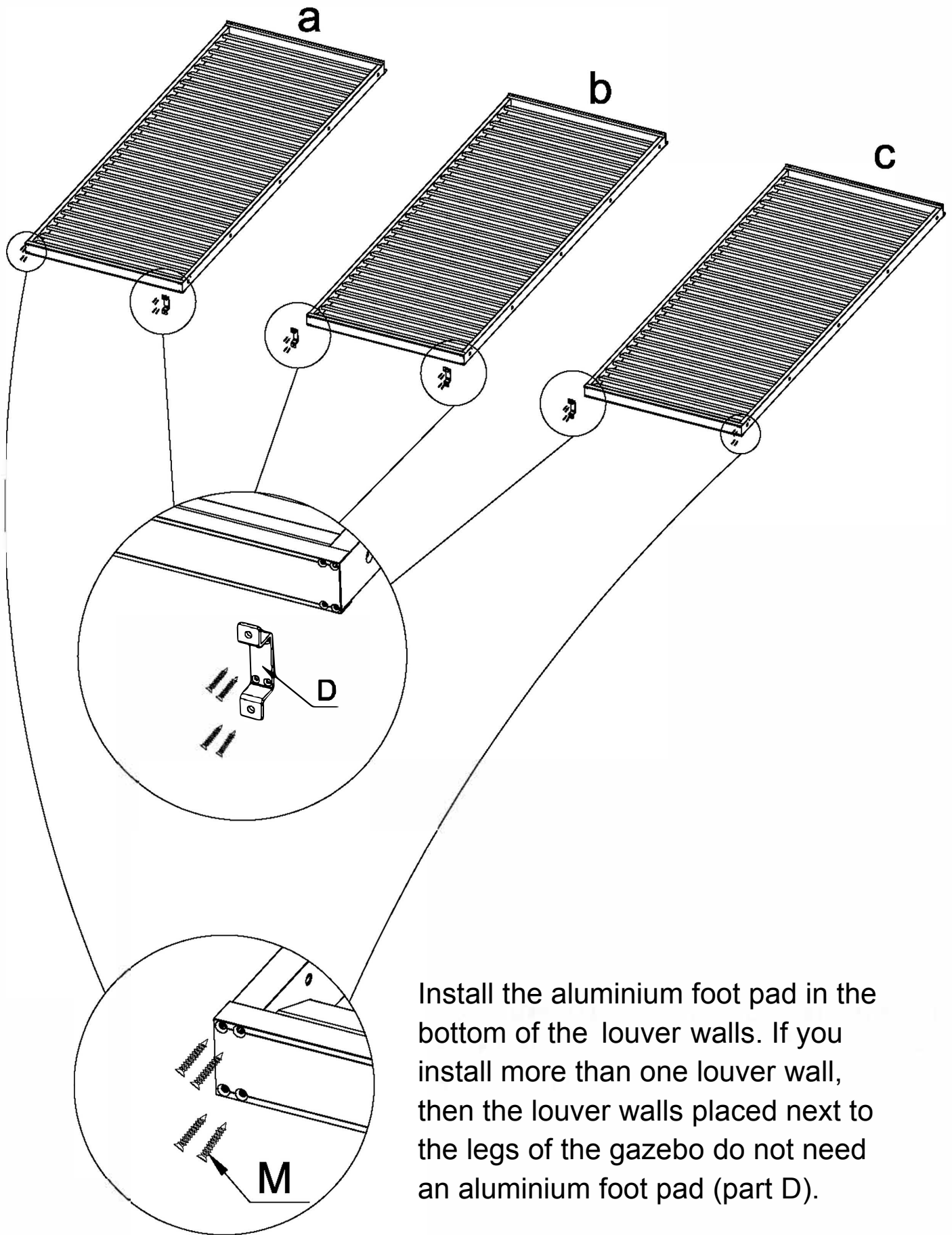
when this bar is in vertical direction, put the end with hole downwards and face outwards



Pay attention to the direction of assembly.

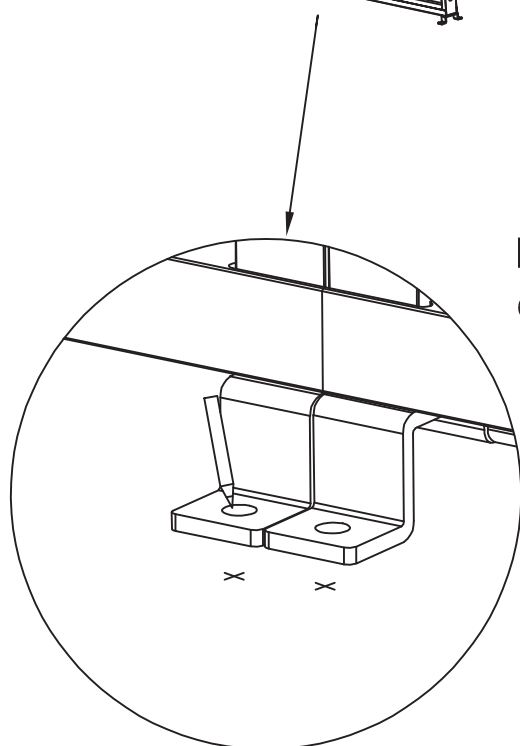
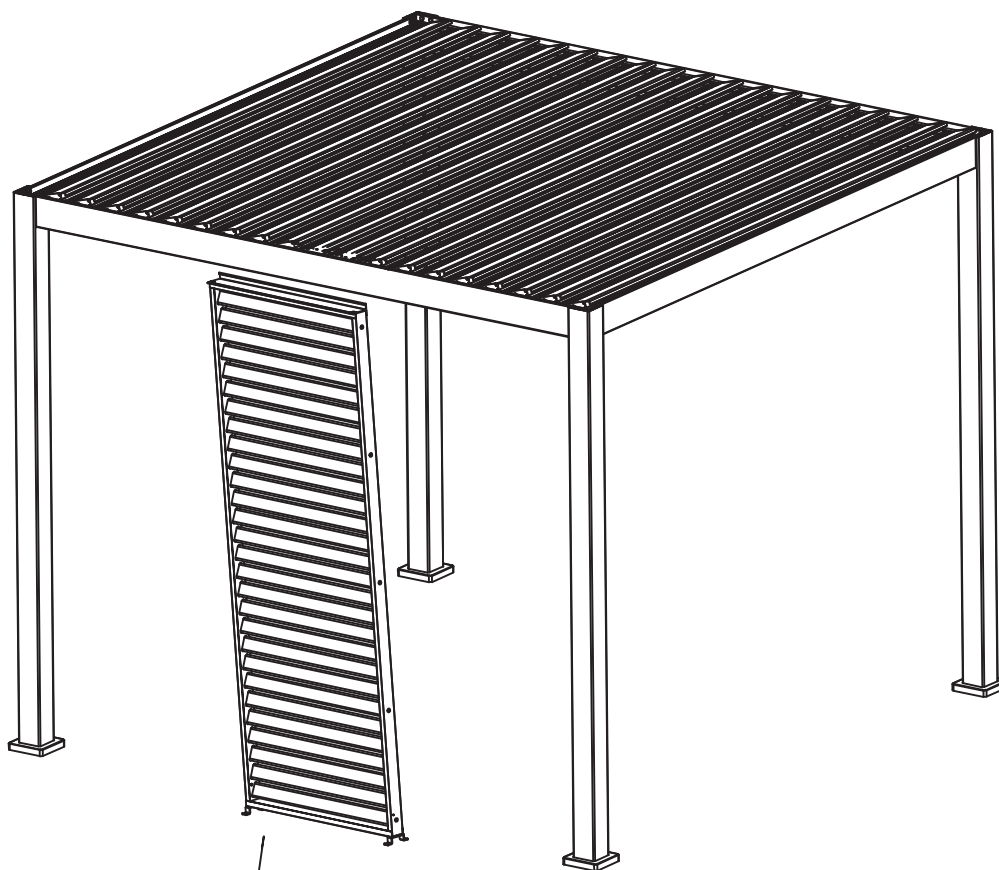


2

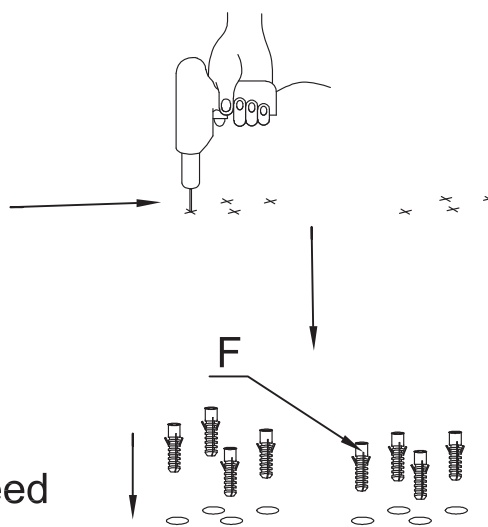


Install the aluminium foot pad in the bottom of the louver walls. If you install more than one louver wall, then the louver walls placed next to the legs of the gazebo do not need an aluminium foot pad (part D).

3

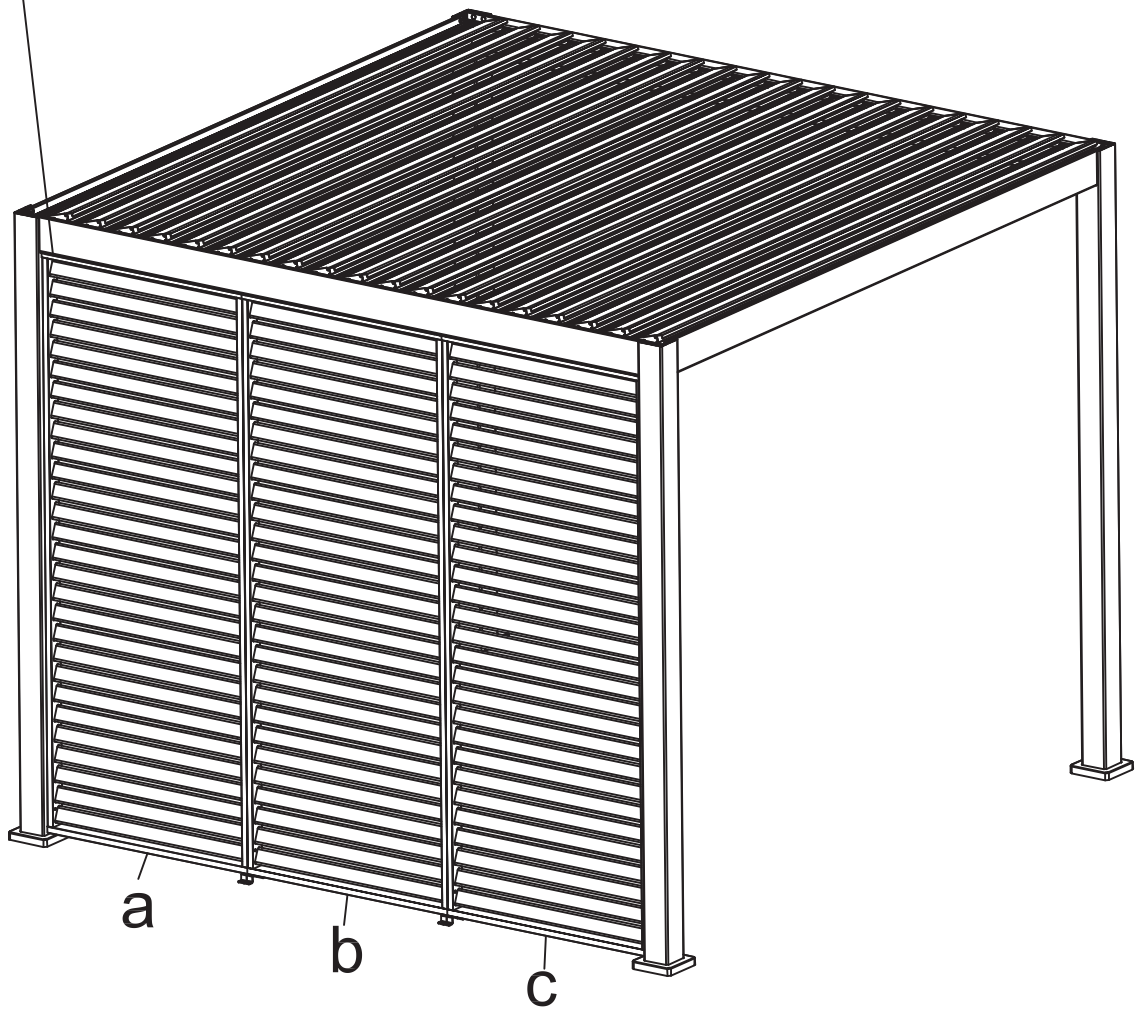
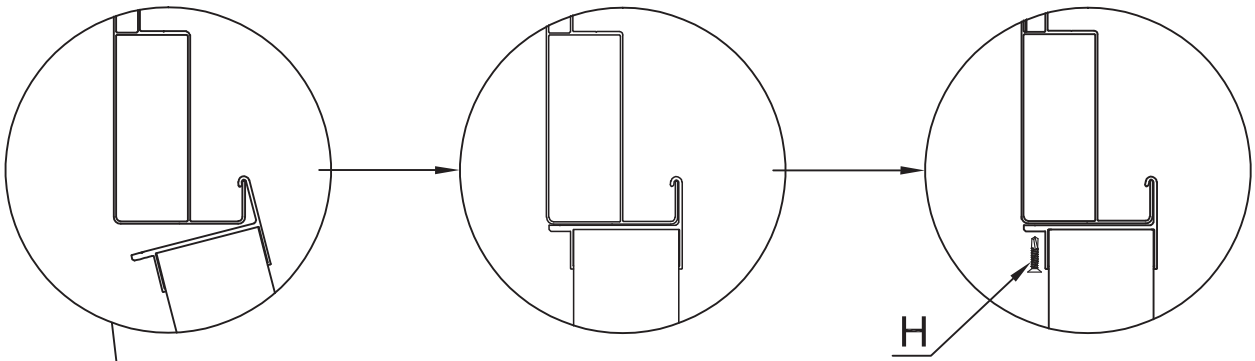


Draw lines, drill holes, tap in plastic expansion pipe.

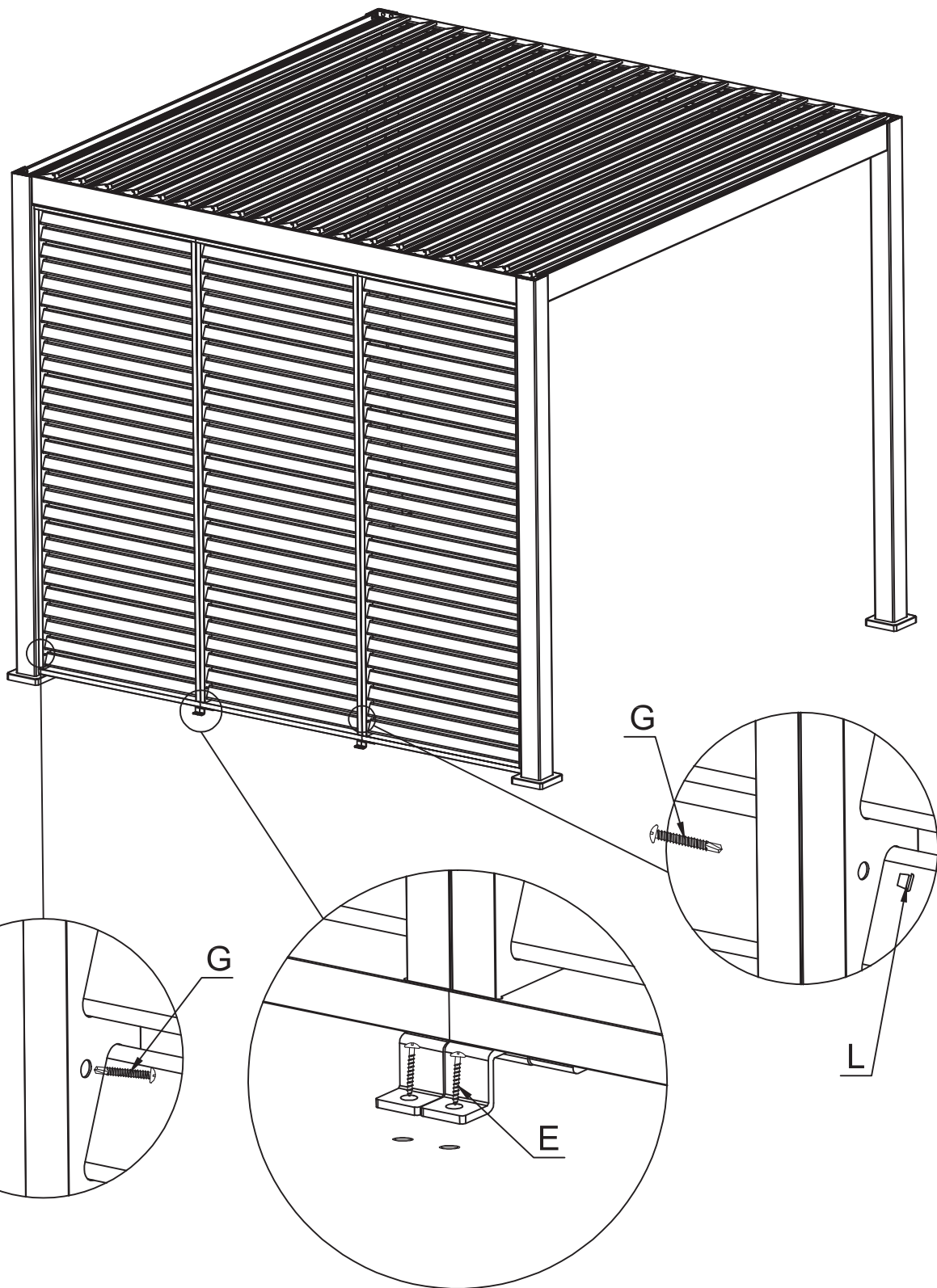


If the floor is a wood floor, you don't need to knock in the plastic expansion pipe, directly use E to knock in the floor.

4



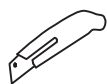
5



The tools you need:



Glove



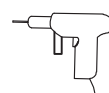
Knife



Safety hat



Electric screw driver



Percussion drill