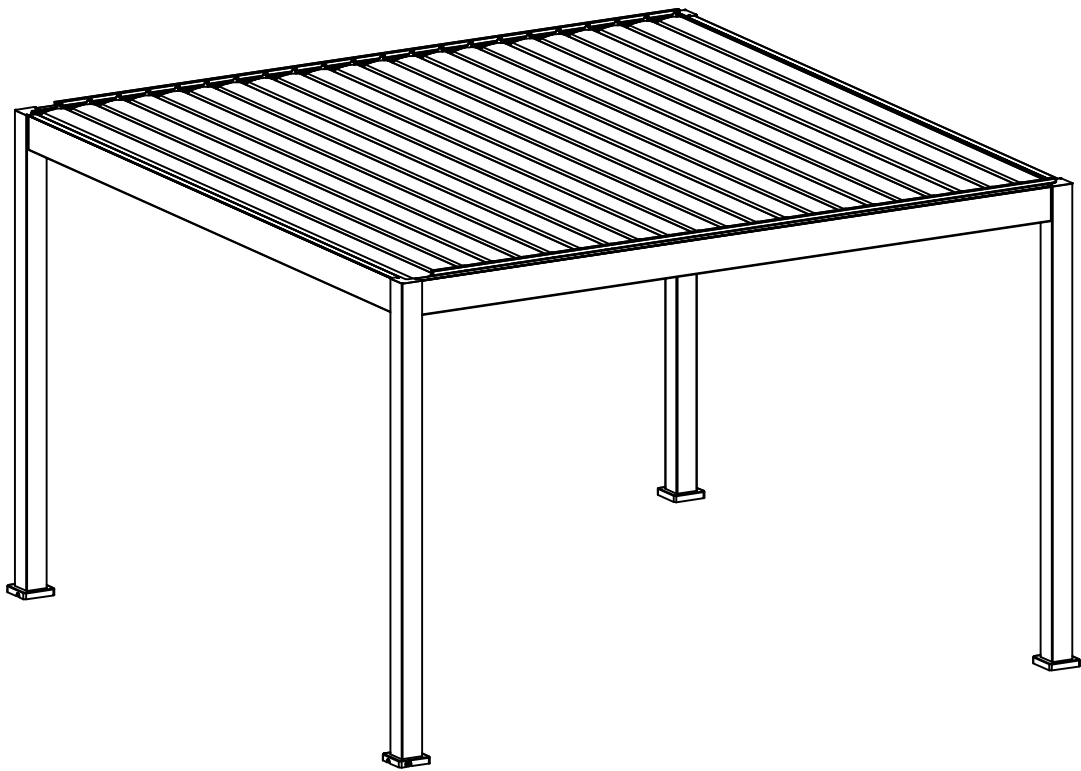


Lúxi LIVING

ONETANGI ALUMINUM PERGOLA

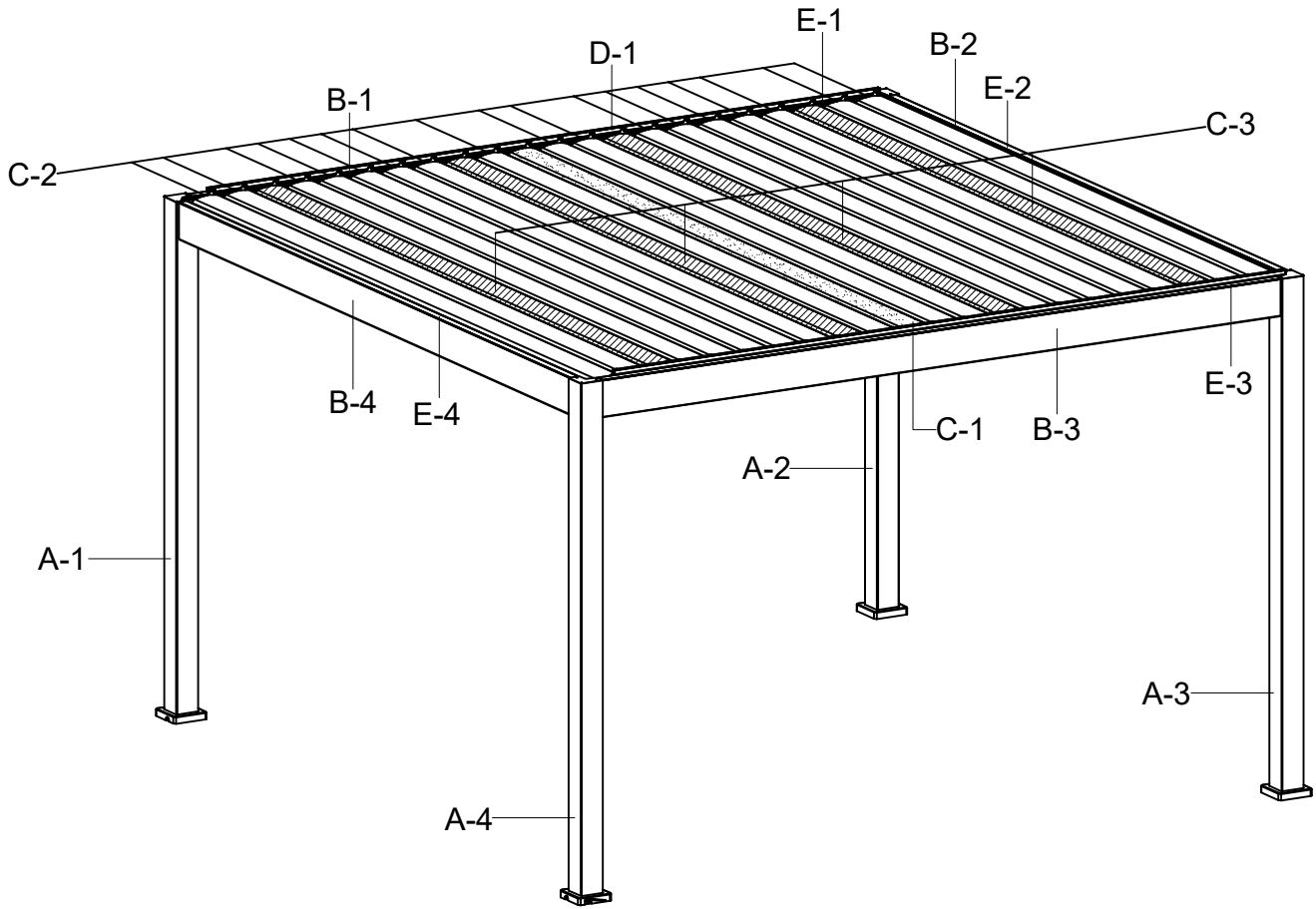
MANUAL 4X4



INSTALLATION NOTES

Before you start to install products ,please read below notes:




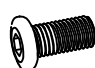







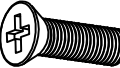




- 1.This is a general version manual .make sure that you review the design when placing an order and read this manual several times before you start to assemble pergola , this installation steps can be referred to in this manual ,However ,other specific details such as motor position ,drainage direction ect. should be accord to the drawing of the order placed
- 2.Check the package list and confirm all items on the list ! Do not throw away any package until the pergola is installed successfully
- 3.Minimum 3 people are required during the installation
- 4.It needs 2 people to lift the product parts from the package ,please put the product very gentle ,it is better to cover a carpet or hard paper box on the flooring to protect it from scratching
- 5.You should better to screw the pergola on a flat concrete floor or do pre-embedded into the floor when its height up to 2800mm.
- 6.You should remove the film coated on the products entirely during the installation because it is difficult to remove them after explosion under hot temperature.
- 7.Please do not DIY our product and take use of the other alternative accessories when you change the original design ,which will void your warranty
- 8.We hold no responsibility for any damage caused due to human factor ,especially incorrect assembly
- 9.During the installation process, if you encounter any uncertainties, please refer to the installation instructions on the product page of the website.



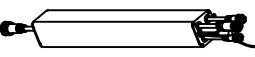



code	name	section	photo
A-1	post		
A-2	post		
A-3	post		
A-4	post		
B-1	gutter		
B-2	gutter		
B-3	gutter		
B-4	gutter		

code	name	section	photo
C-1	driven blade		
C-2	blade		
C-3	led light blade		
D-1	driven rod		
E-1	gutter cover		
E-2	gutter cover		
E-3	gutter cover		
E-4	gutter cover		

HARDWARE

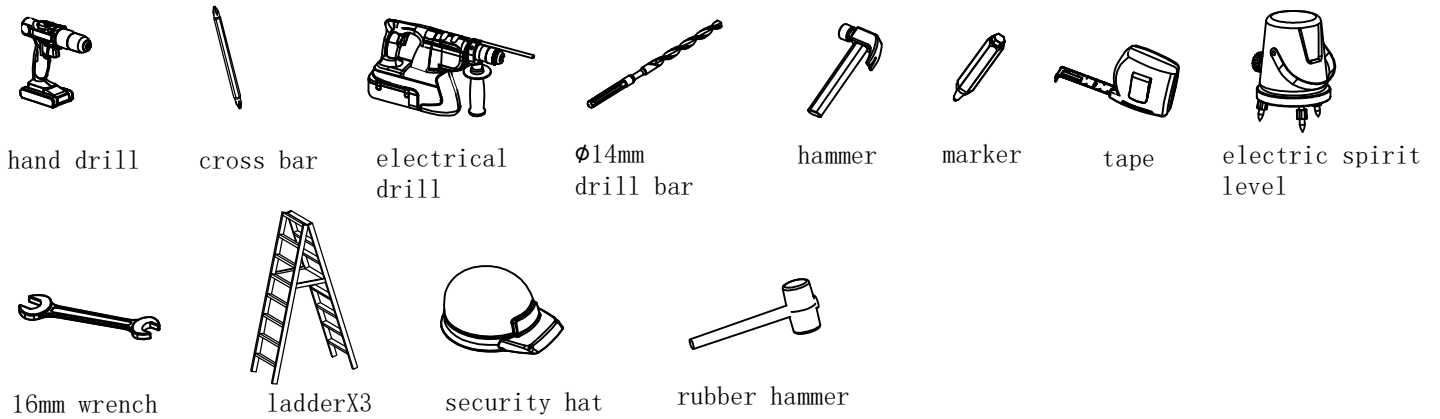
code	name	photo
①	base plate	
②	decoration cover	
③	A4 post decoration cover	
④	SUS hex screw (M8*12)	
⑤	M8 washer	
⑥	M8*80 SUS hex expansion bolt	
⑦	post end cover	
⑧	4.2*16 cross tapping screw	
⑨	4.2*19 cross tapping screw	
⑩	driven blade cover (RIGHT)	
⑪	cross tapping screw (4*20)	
⑫	SUS screw M5*16	
⑬	Hex screw nut M5	
⑭	gutter corner connector	
⑮	blade pivot cover	
⑯	4*14 cross tapping screw	

code	name	photo
⑰	∅8*M6*5 shoulder screw	
⑱	wrench(5mm)	
⑲	control system (single motor+led light)	
⑳	remote	

Note:

The silicone sealant is not allowed to ship, we don't offer this item. please purchase it in local

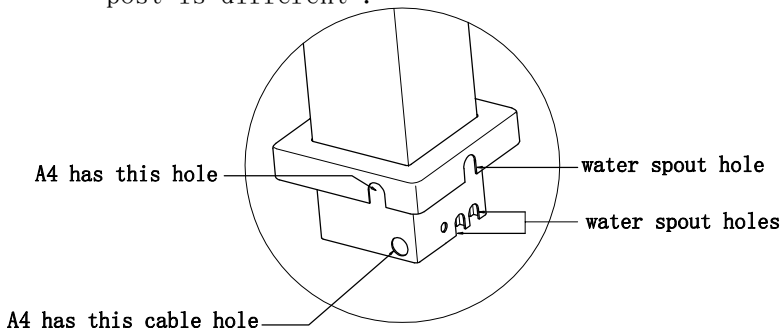
TOOLS



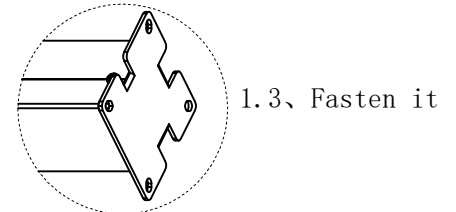
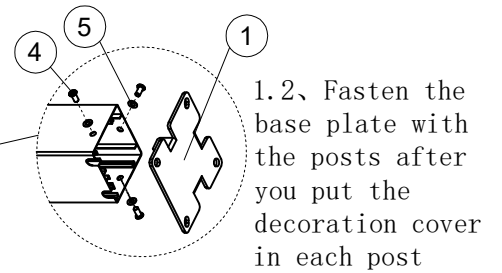
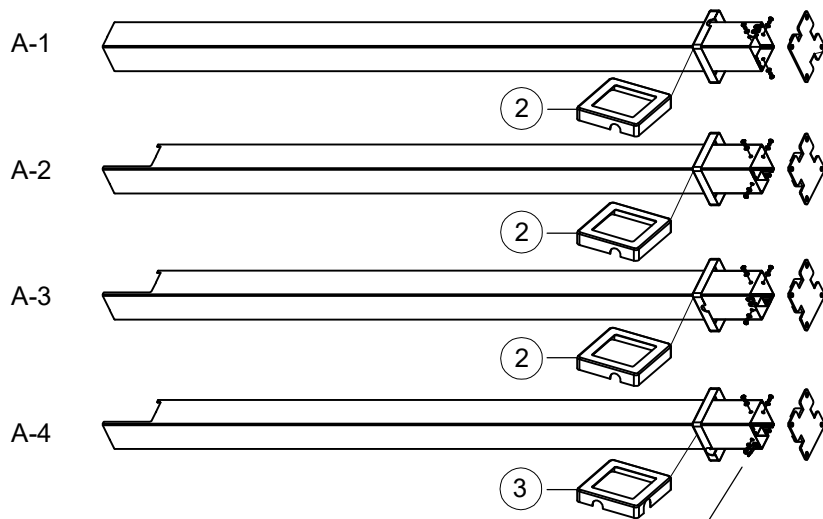
INSTALLATION

STEP 1: Assemble the post with base plate

1.1 put the base plate decorative cover into the post before you screw them .please note the decoration cover of wire post is different .



Tip:
The water spout holes should be overlap to ensure the water can spout out rapidly

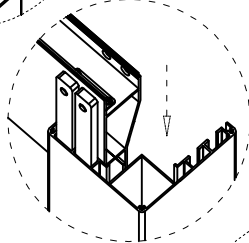
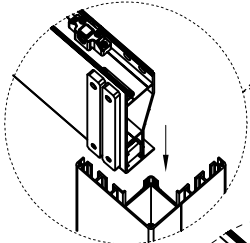


Tip:
A4 post is the power input site , and the decoration cover is different

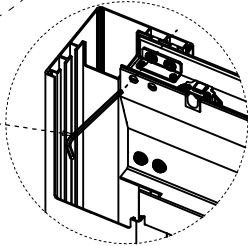
STEP 2: Assemble the pergola frame :assemble roller gutter with posts first

⚠ Tip:
You should do the assemble on soft flooring to protect product from scratch

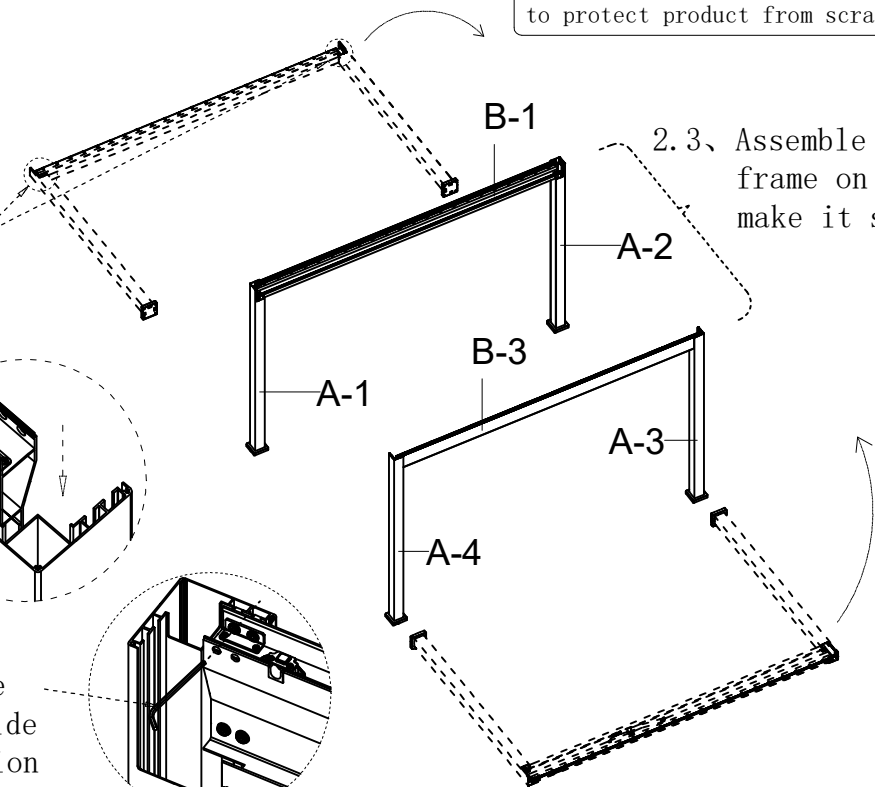
2.1、Inset the gutter into the groove of post



2.2、Fasten the screw from inside at the connection

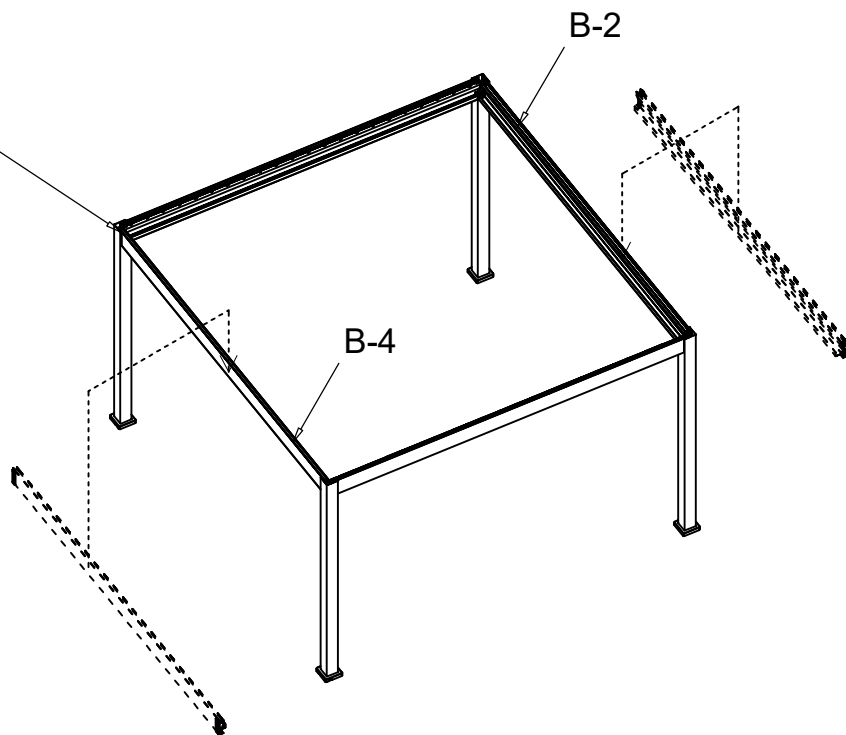
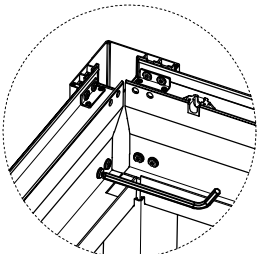
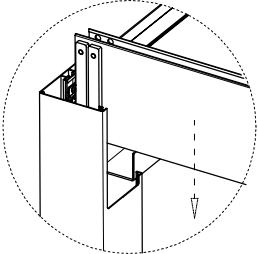
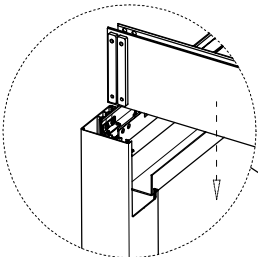


2.3、Assemble the pergola frame on the floor and make it stand



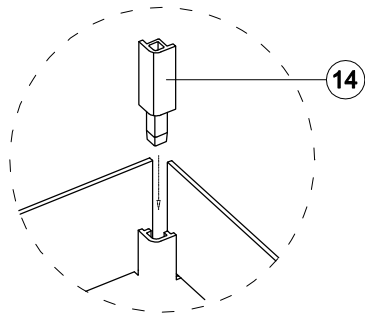
⚠ Tips:
1. Please ensure the pergola frame is correct before you assemble
2. It needs at least 2 people to make the post stand

2.4、Assemble the remain gutter as same

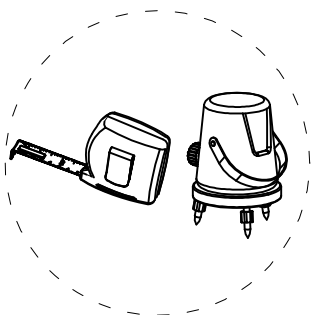


STEP 3: Adjust the pergola position and fix the posts on the floor

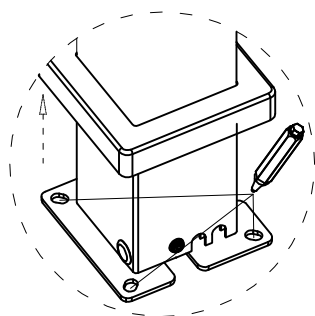
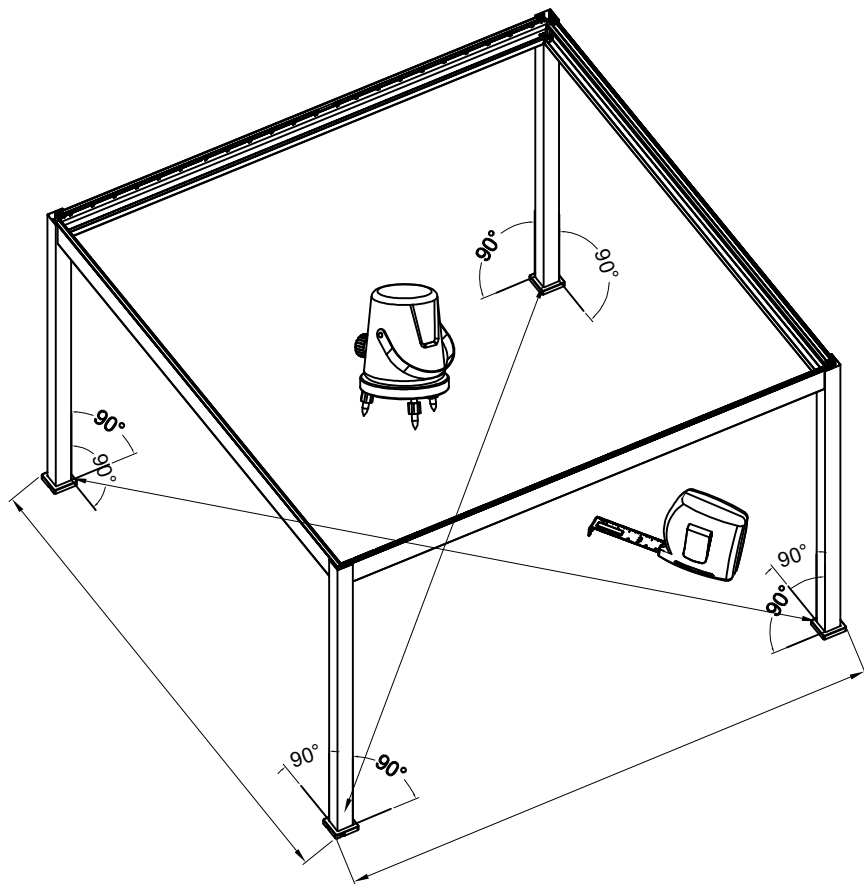
⚠ Tips:
1. Ensure the post in correct position ,and stand 90 degree with floor.
2. Before you fasten the screws ,you should double check the pergola position .



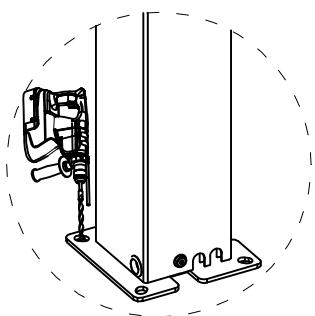
3.1 Put the connector at four corners of gutter



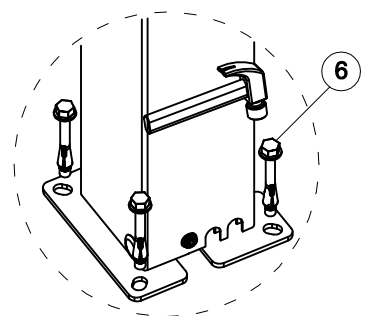
3.2 Adjust the position measure the diagonal lines and ensure the diagonal are equal.



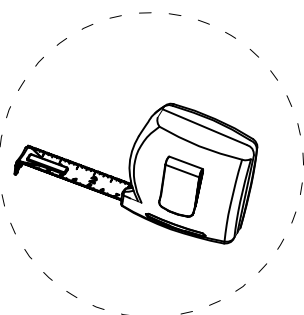
3.3 Mark the drill holes on the ground



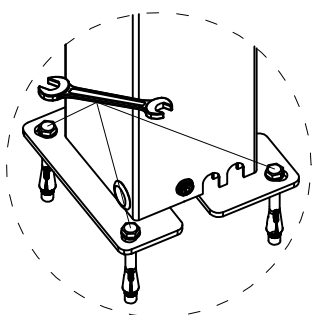
3.4 Drill bolt holes



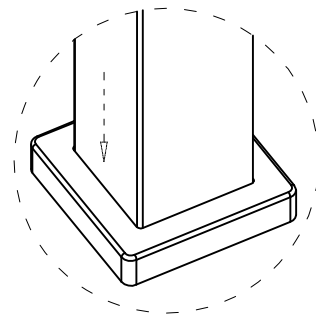
3.5 Stuff the expansion bolt into concrete



3.6 Double check the pergola position because the frame will move during installation



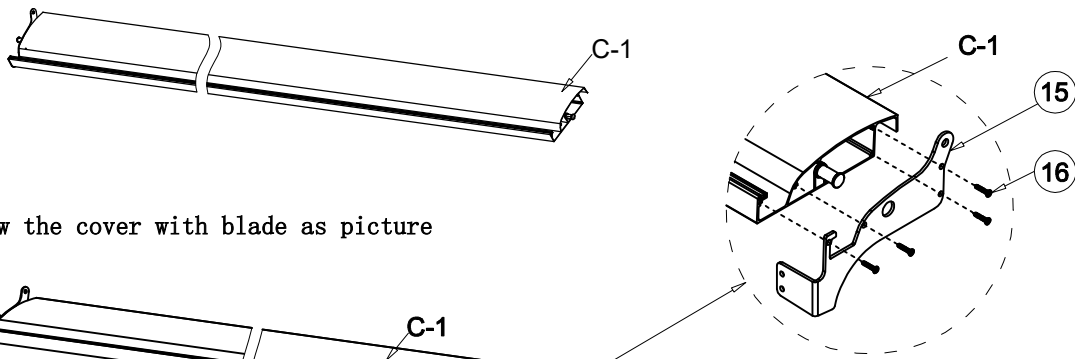
3.7 Fasten the base plate on the floor



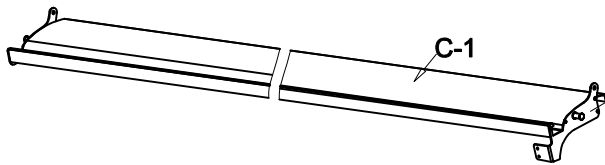
3.8 Use silicone to fix the decoratio cover when installation finished

STEP 4: Settle the blades

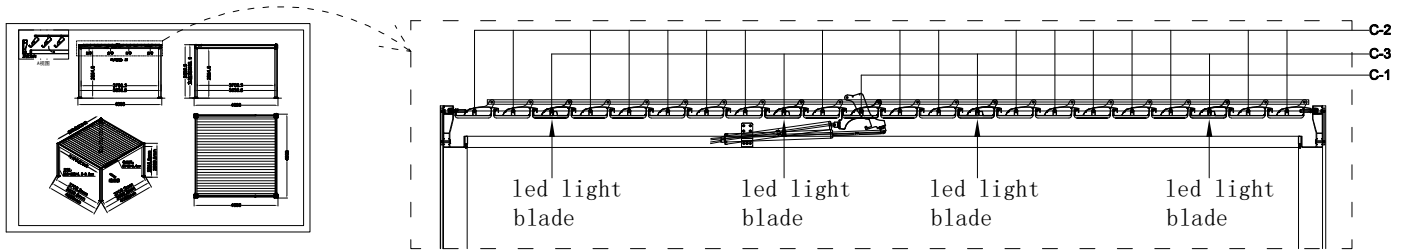
4.1 Take out the blade without driven cover from the package



4.2 screw the cover with blade as picture

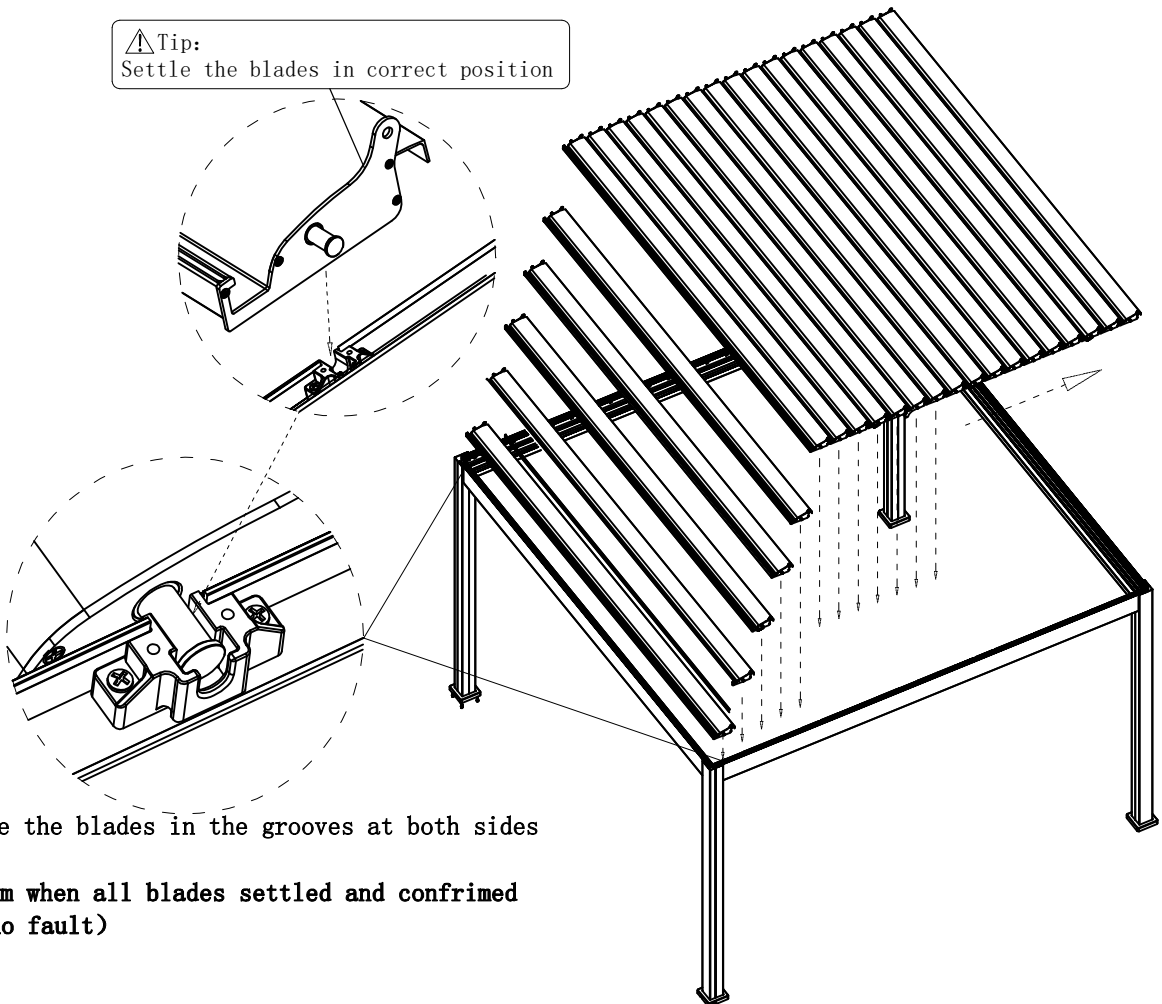


4.3 Check the drawing and mark the position of led light blade and driven blade



4.4 Confirm each blade position , then start to settle blades from the other side

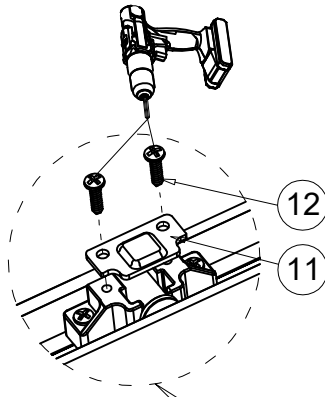
△Tip:
Settle the blades in correct position



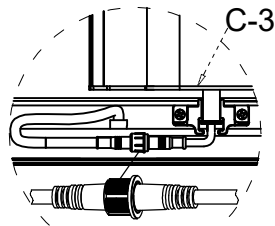
4.4-1 Settle the blades in the grooves at both sides

(fasten them when all blades settled and confrimed there is no fault)

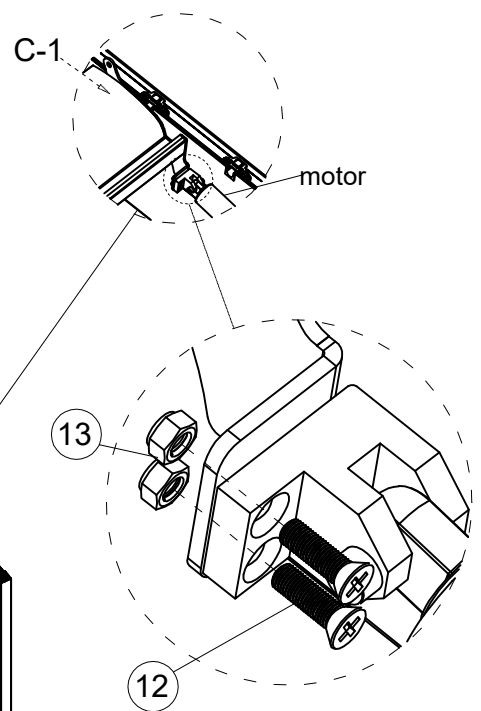
4.4-2 When all blades seatles ,then fasten the covers



4.4-3 Connect the LED light blade cable with electric cable in gutter

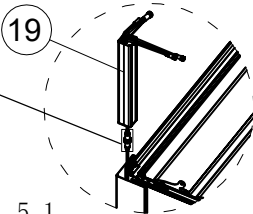


4.4-4 Fasten the driven blade with motor

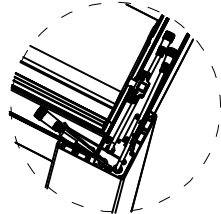


⚠ Tip:
screw the motor with driven blade is essential part

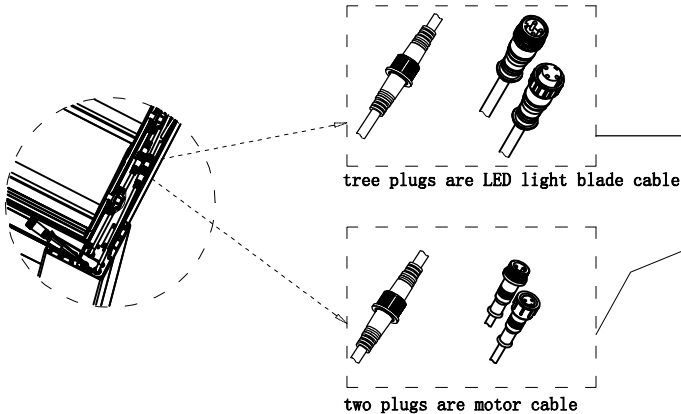
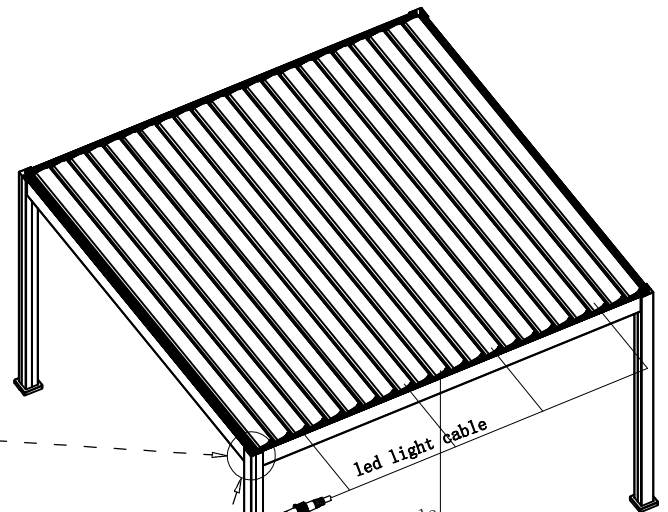
STEP 5: Connect to the power



5.1 Before inset the control system ,you should connect the voltage cable



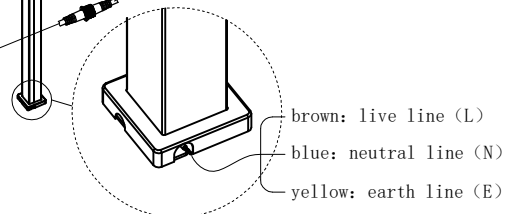
5.2 Inset the control system into the post A4



tree plugs are LED light blade cable

two plugs are motor cable

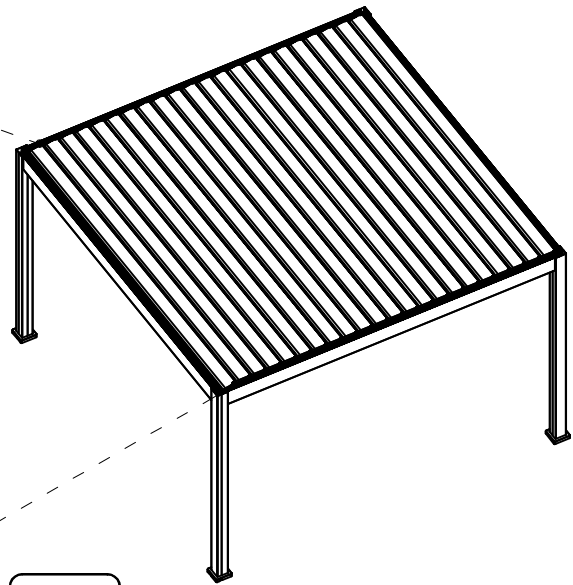
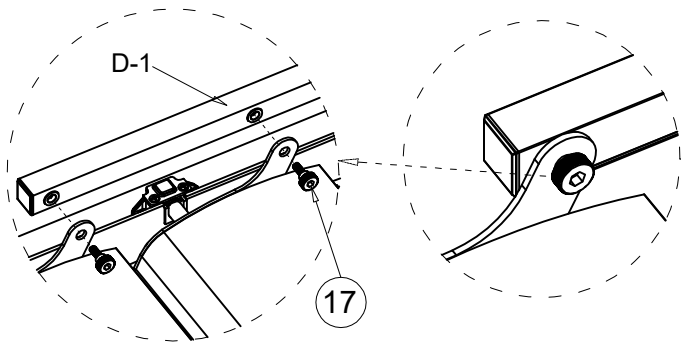
5.3 Connect to the cables



5.4 Connect the cable with local power cable

⚠ Tips:
1. connect the cable as design
2. earth line is essential
3. RCCB is essential when you install this product

STEP 6: Install the driven rod and check the electric cables

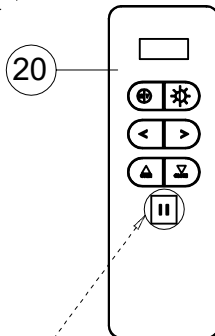


6.1 Install the driven rod

Fasten the driven rod with blades from inside to screw

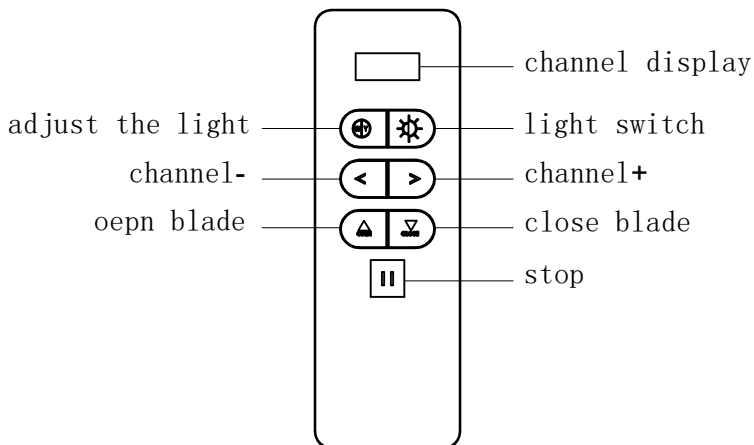
⚠ Tip:
 1、 Two bays driven rods must be symmetrical
 2、 Driven rods should be outside ,or the bades can not open

6.2 learn to remote controller system



6.2-1 Press and hold this button until the light next to it starts to flash

6.2-2 Press and hold the stop button on remote until led light stop to flash



6.2-3' Check the remote function

There are two types of remote , one is simple type without any zip screen ,the other is type 2 , you can remote the pergola and zip screen at one remote .The remote was pre-seted type 1 . and press channel <Left><Right> to exchange to type 2 by yourself

type 1

channel 01: motor
 the channel display show "01"

type 2

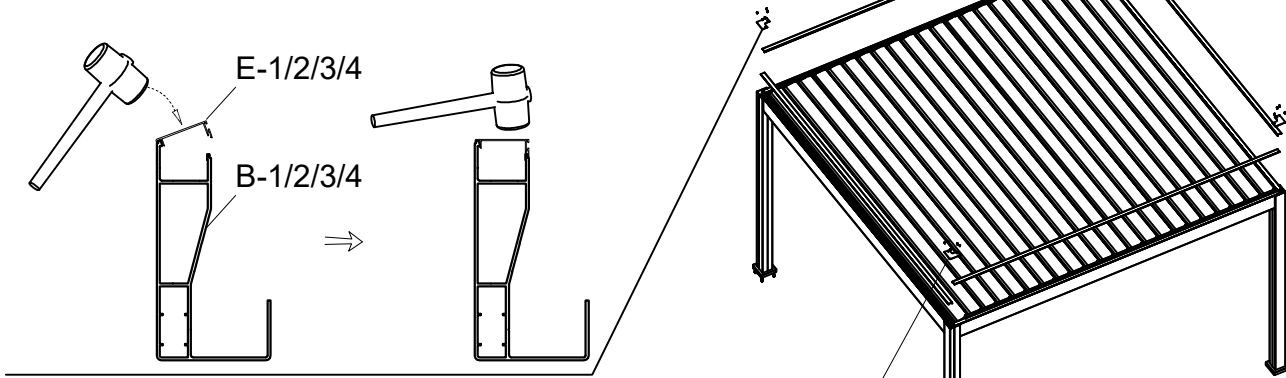
channel 01: blade switch
 channel 02: the first zip screen
 channel 03: the second zip screen
 channel 04: the third zip screen
 channel 05: the fourth zip screen
 channel C1: blade switch
 channel C2: all zip screen controlled together
 channel C3: all devices controlled together

STEP 7: If there is zip screen device on the pergola, then do STEP 8 after all cables connected

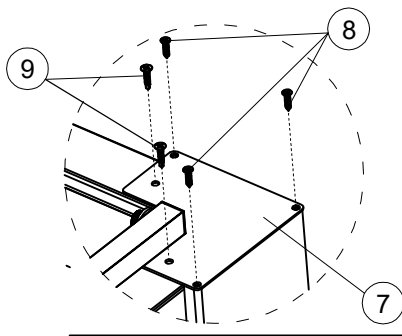
STEP 8: Install the gutter cover and post end cover

8.1 Use rubber hammer to knock the gutter cover into groove, note width edge is inner side

(Tip: It is easy to knock the cover when the louvers are open)



8.2 Install the L shape cover at four corners



⚠ Tips:

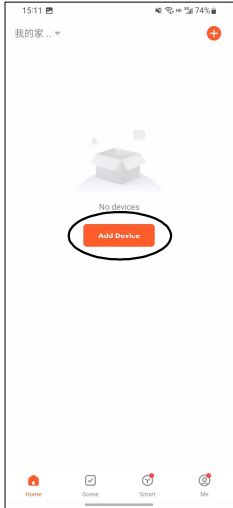
1. Ensure the pergola function is well before you install the cover
2. Settle all cable in the gutter groove and knock the cover gently or broken the cables to cause electric leakage

HOW TO USE TUYA APP

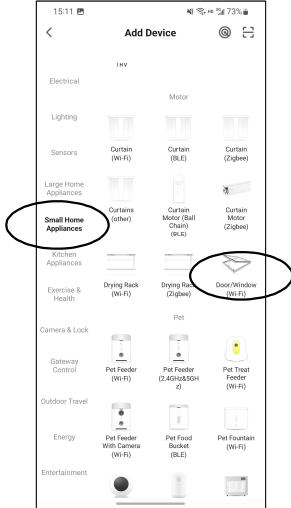
STEP1 :Open tuya app

1. Prepare a public wifi for the pergola
2. Open the phone bluetooth and TUYA app

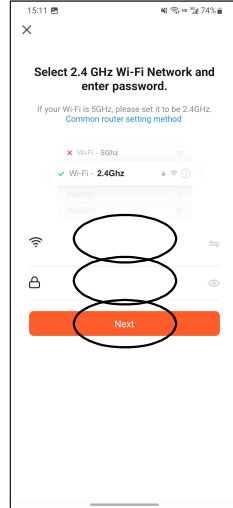
⚠Tip:
it needs 2.4GHz wifi



1. Open tuya app and click add device



2. Search door window (WIFI) in the category



3. input the wifi password



4. start to link

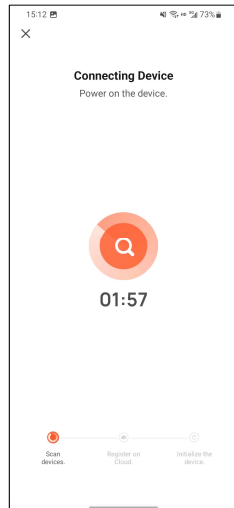


5. press and hold the button until the blue indicate light flash

6. click confirm



7, select quick flash



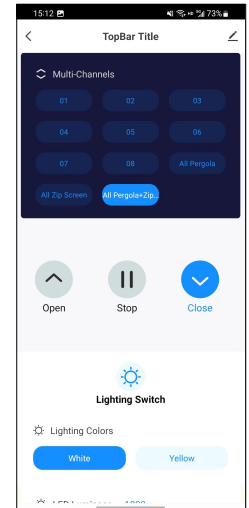
8. wait for link



9. success



10. select pergola to control it

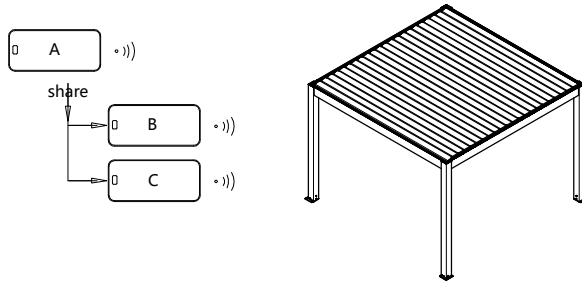


11. operation panel

How to authorize account to family members

一、 TUYA APP

When you connect to tuya app successfully ,you can share the account to your family members



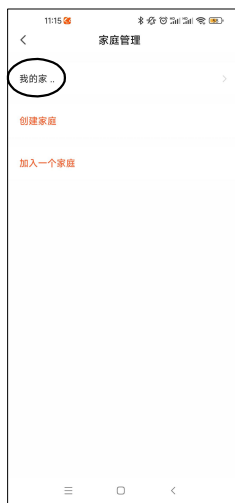
TIPS:

- 1.the owner's phone (A) connect to pergola , he can operate the pergola by his phone A,
- 2.the other family members also download TUYA app and sign in

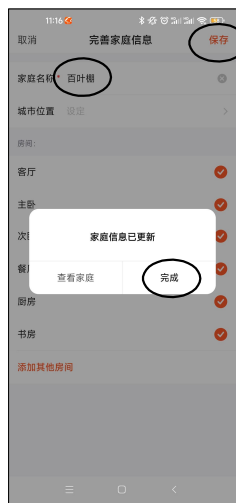
1. Create a family group in the phone A



1、 create a family group



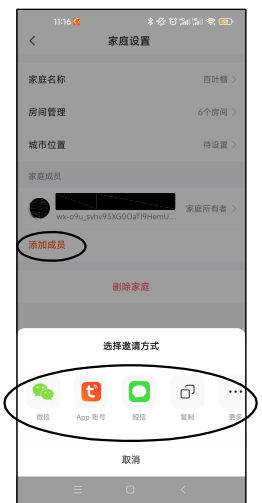
2、 click my family



3、 name the family group



4、 click into the group and link to pergola as before



5、 share to the other family members

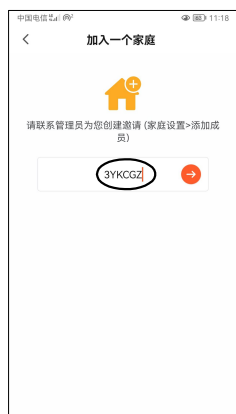
2. The other family members accept the invite on their Phones



6、 click into family group



7. join this family group



8. input the invite code



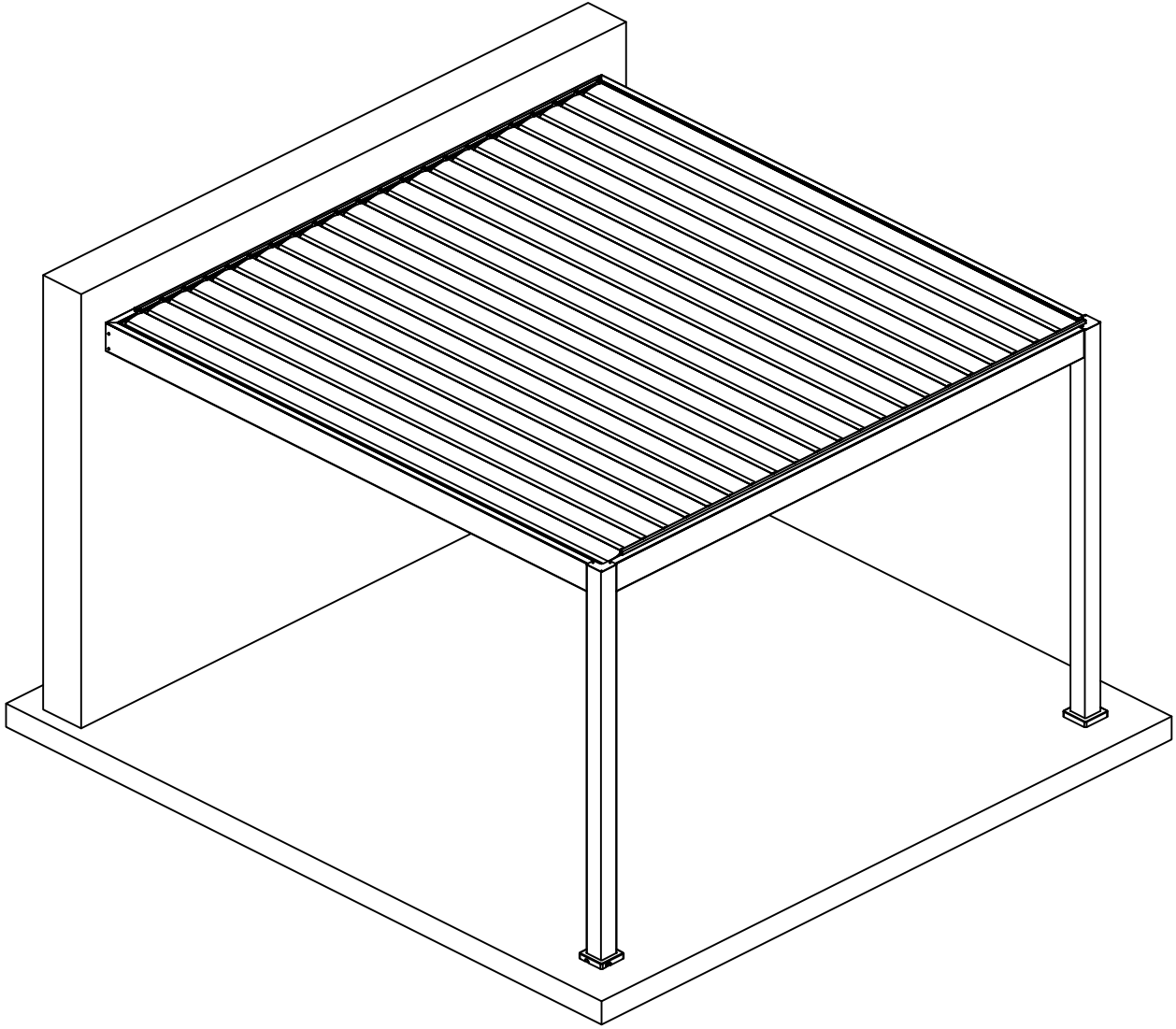
9. confirm and successfully join






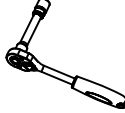
10. you can try to operate the pergola on the phone



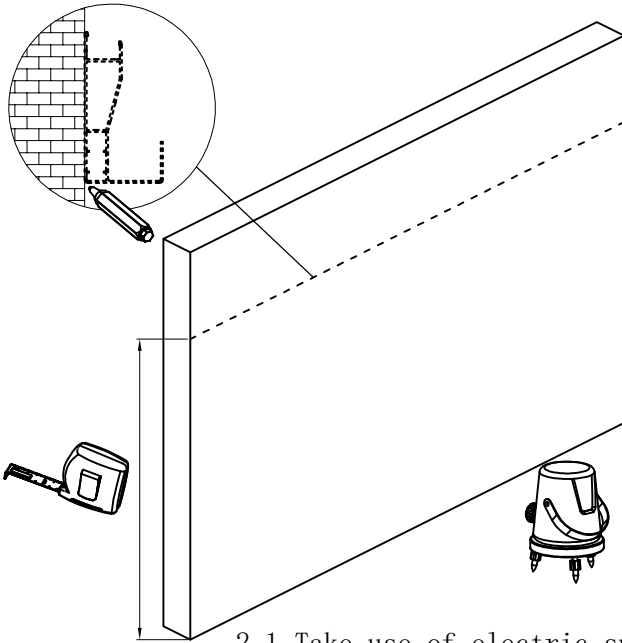
WALL-MOUNTED MANUAL



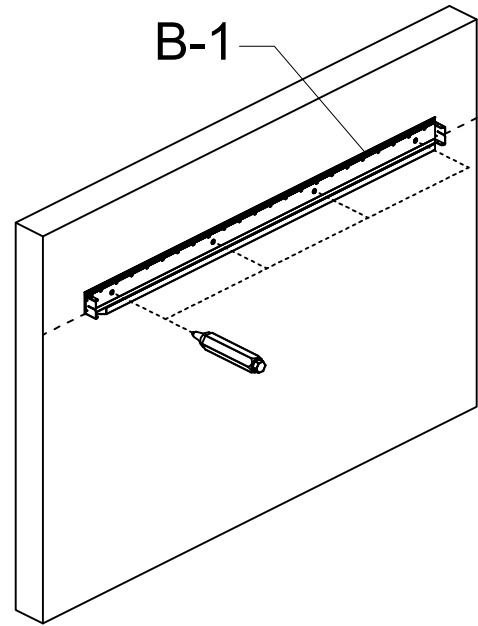
Hardware list

②1	expansion plug (M14*75)	
②2	wood screw (M10*100)	
②3	30 mm cap	
	17mm wrench	

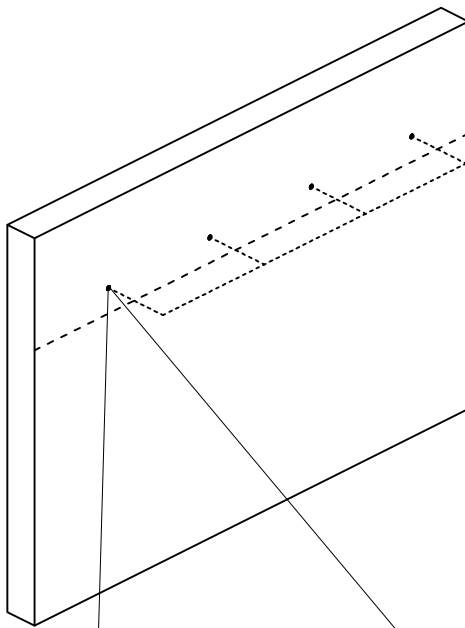
STEP 1: Install the wall-mounted gutter first



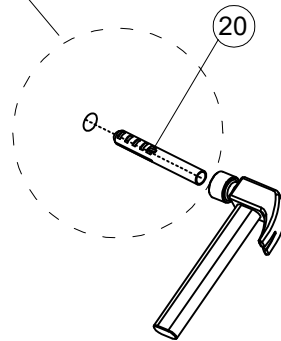
2.1 Take use of electric spirit level to mark the gutter position



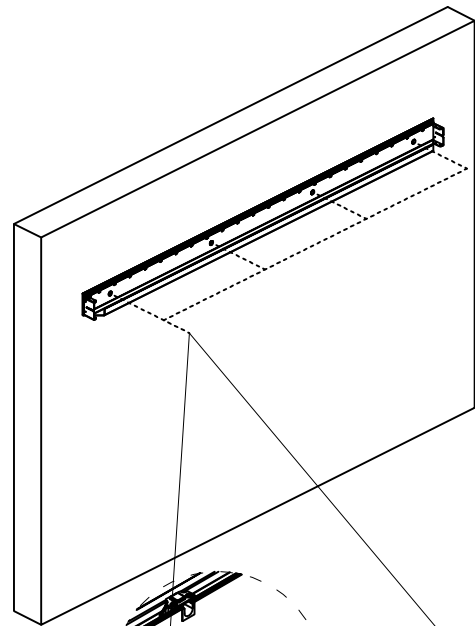
2.2 Mark the holes position through the pre-drill holes on the gutter



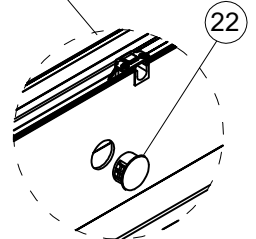
2.3 drill $\varnothing 14$ mm holes on the wall



2.4 Stuff the expansion plug into the holes



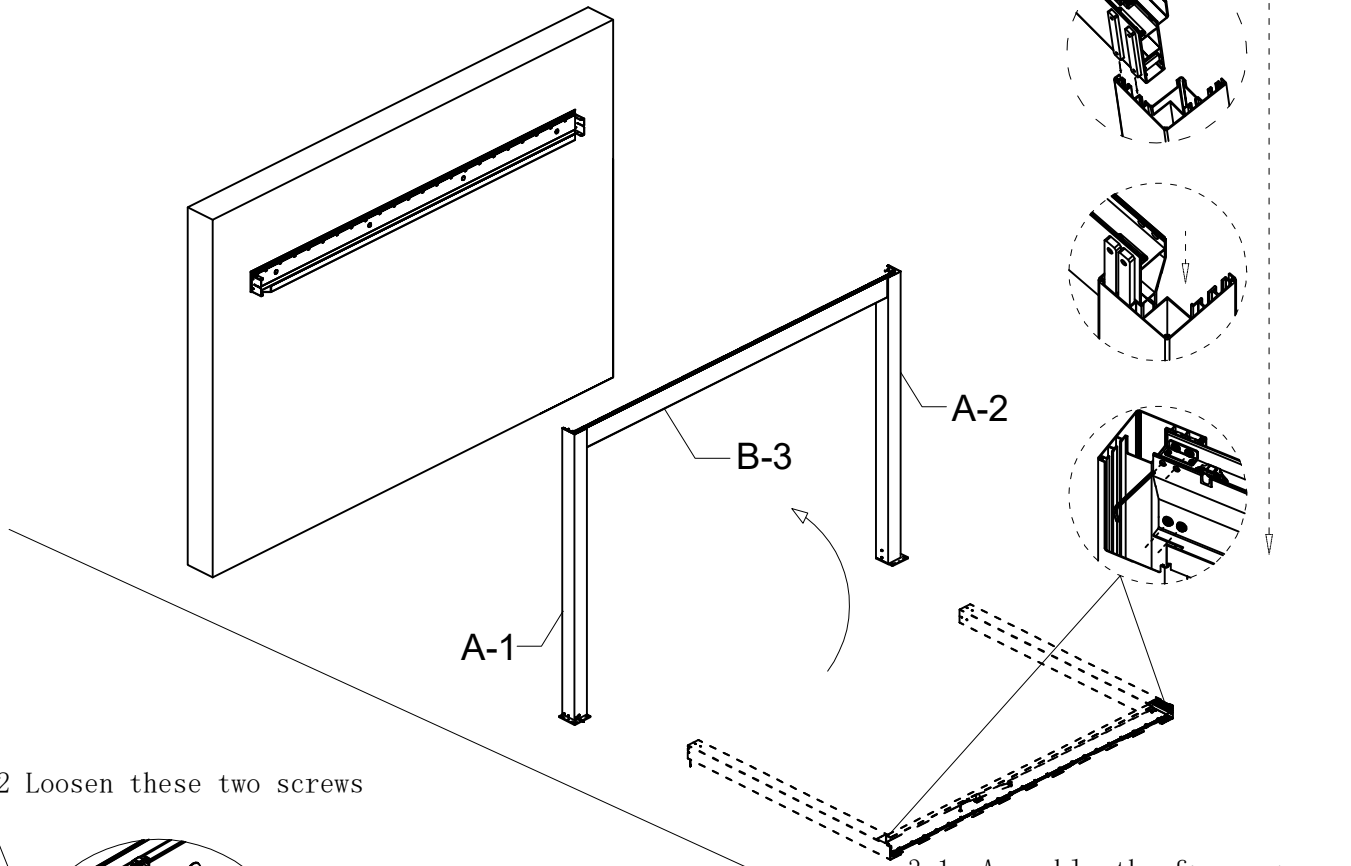
2.5 Use wrench to screw the gutter on the wall



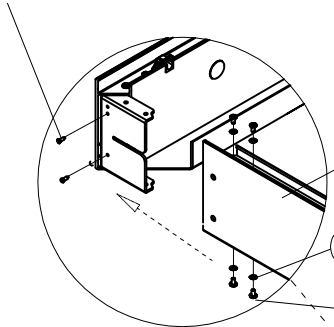
2.5 Stuff the cap

⚠ Tip:
check the gutter position before you fasten the screw

STEP 2 : Assemble the pergola frame



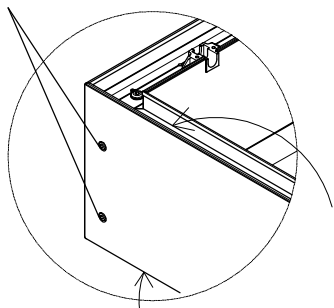
2.2-2 Loosen these two screws



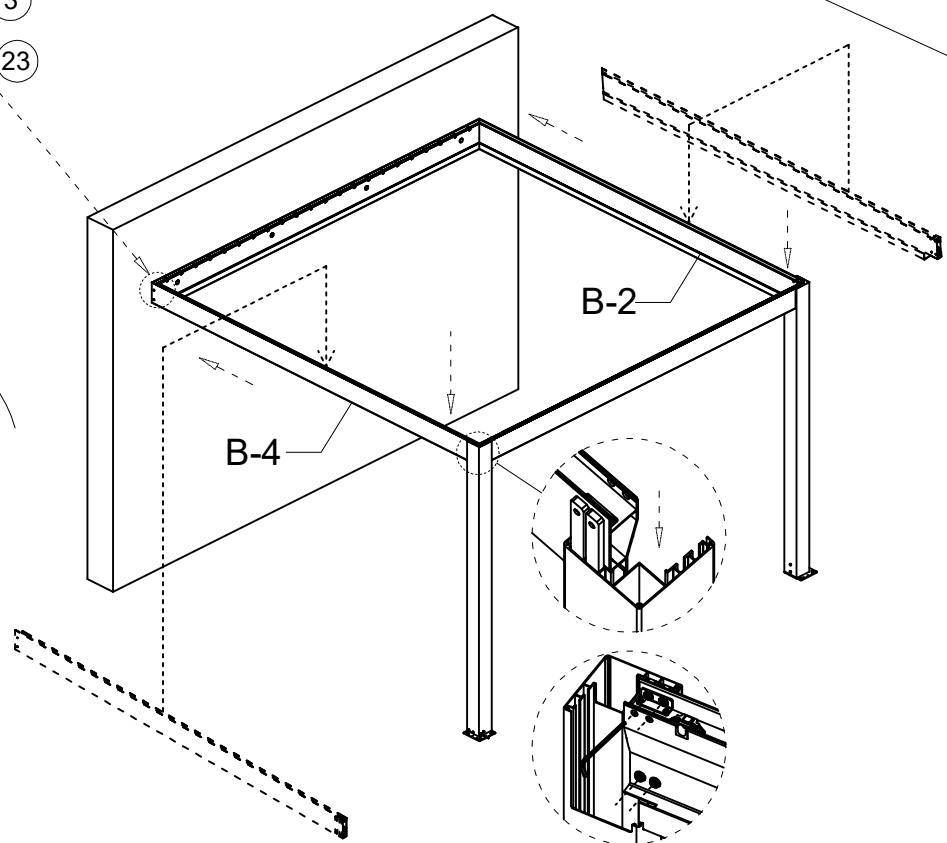
2.2-3 Inset the gutter into the junction

3.1. Assemble the frame on the floor and make it stand

2.2-4 Fasten these two screws again



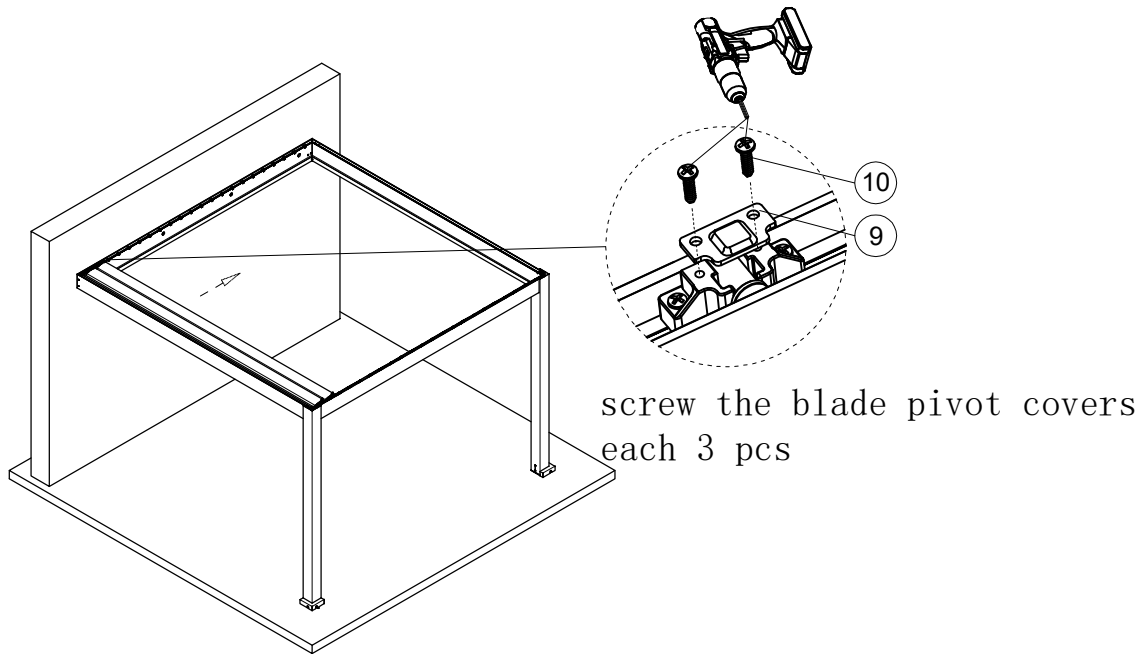
2.2-5 Fasten the four screw at up and bottom



3.2 Fasten the gutter with post

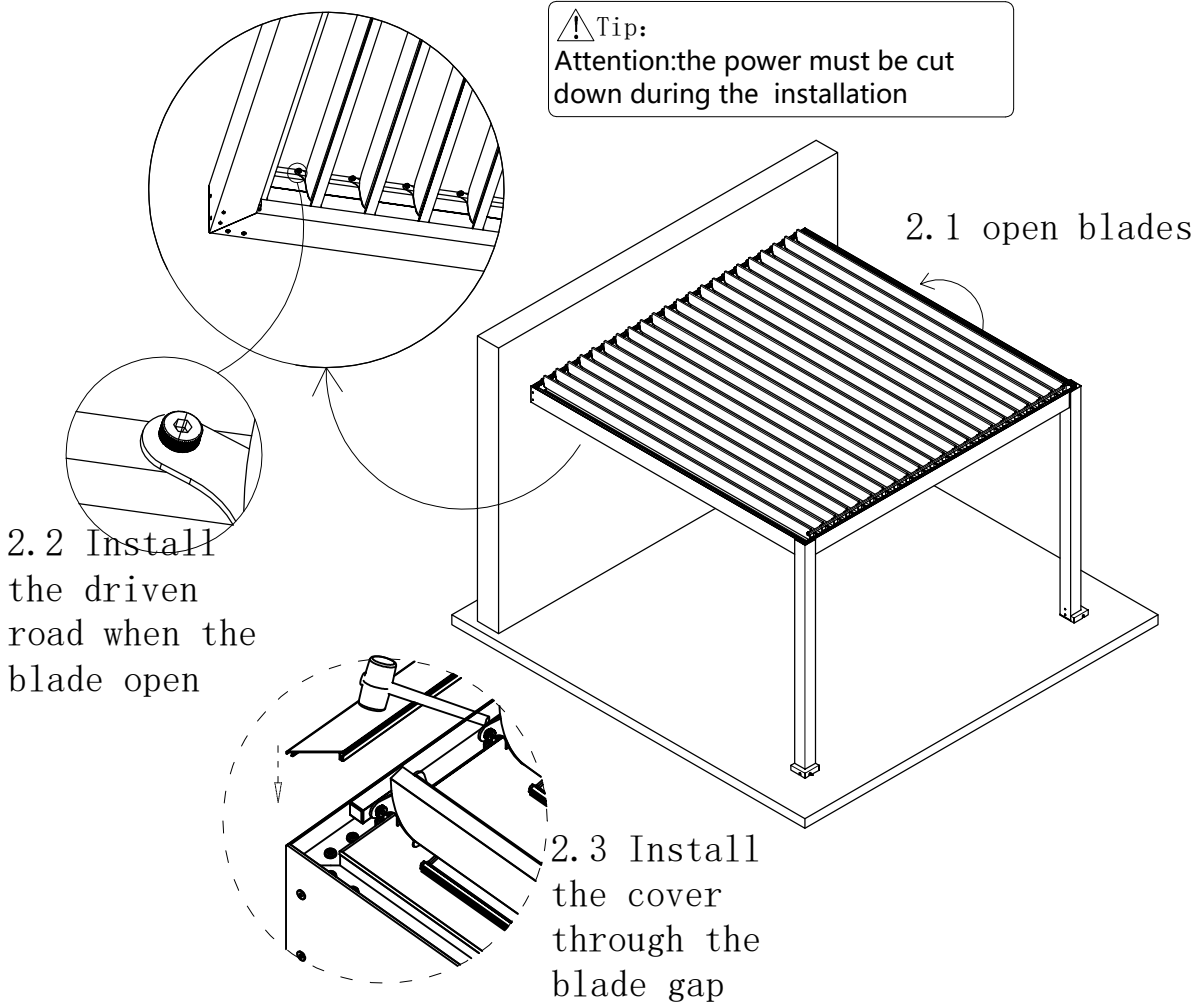
The remain installation as same as the previous steps

Tips: 1. When you settle the blades ,you should fasten the blade pivot covers when each 3 pcs of blades settled



2. When the blade vertical to wall ,you should install the again wall side driven rod first. and input power to open the blades to fix the wall mounted side driven rod

⚠ Tip:
Attention:the power must be cut
down during the installation



Trouble shooting

malfunction	solutions
motor and led lights don't work	<ol style="list-style-type: none"> 1. check the cables connect if correct 2. check if there is an available voltage for pergola : 110V or 220V 3. check the remote if learn to match the control system 4. check the remote battery is work or not 5. check the control system has power output or not
can not open the blades	<ol style="list-style-type: none"> 1. check the motor is working or not 2. check the driven rod if installed successfully 3. check the driven blade connected the motor or not
water leak at fan beam position	<ol style="list-style-type: none"> 1. check the connection if do silicone sealant dealing
remote doesn't work	<ol style="list-style-type: none"> 1. press the learn button within 5 seconds when the motor input power 2. check the remote battery is available
can not link to APP	<ol style="list-style-type: none"> 1. ensure you read the manual of tuya app link 2. you should remove the previous phone record then you can connect again

Care and Maintenance

CARING FOR YOUR PERGOLA

Structure surface coated with the thermosetting powder coating must be cleaned once a year to maintain their original appearance

Thermosetting powders are sensitive to :

1. Physical friction ,hard impact ,extrusion ,chemicals including alkaline solvent and acidic solvent.
2. Natural elements such wind,rain ,snow ,and prolonged sunlight .The exterior of the pergola may deteriorate over time and this will not be covered under the warranty.

CLEANING YOUR PERGOLA

1. Do not use a scouring pad ,cream cleaner ,abrasive sponge ,iron wire ball ,or colored cloths.
2. Recommended : soft sponge , soft sand-free cloth ,cotton wool , cotton ,or-non-woven paper (white only)
3. Do not use corrosive products such as acidic or alkaline cleaners , It is recommended to wash with neatral PH detergent water and then wipw it with a cloth to keep it try.
4. When cleaning with high -pressure equipment, the same precautions must be taken when cleaning the car body :distance ,nozzle type ,water temperature ,and pressure should all be considered.

USE REMINDER

After the installation is complete ,check that the screw are tight, Remember to check the screws at least once per year

1. Regularly check the sealing consitions to ensure the seals or other companents don not leak.
2. Regularly cean up debris sich as fallen leaves on the pergola to prevent blockage of the drain.
3. Restrictions on use :Watertigh systes ,although effective ,are not designed to ensure complete water proofing ,Heavy rain and strong winds may damage the pergola ,Any damage incurred will not be covered under the warranty.

Letter of thanks

Dear Customer :

We appreciate your recent purchase .We really hope you can enjoy the happy time with your loved ones and friends under our stylish aluminum pergola .

We know that you could have bought from any one of our competitors ,but you choose us .For that ,and all of your previous purchases ,we wanted to say thank you ,You are a valued customer and we'll continue to strive for the best customer service we can offer .If you care to share any future stories from the road ,we'd love to hear them .Thanks again !

Gratefully

LIVING CULTURE