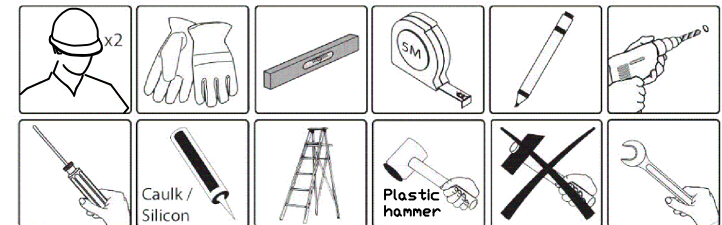
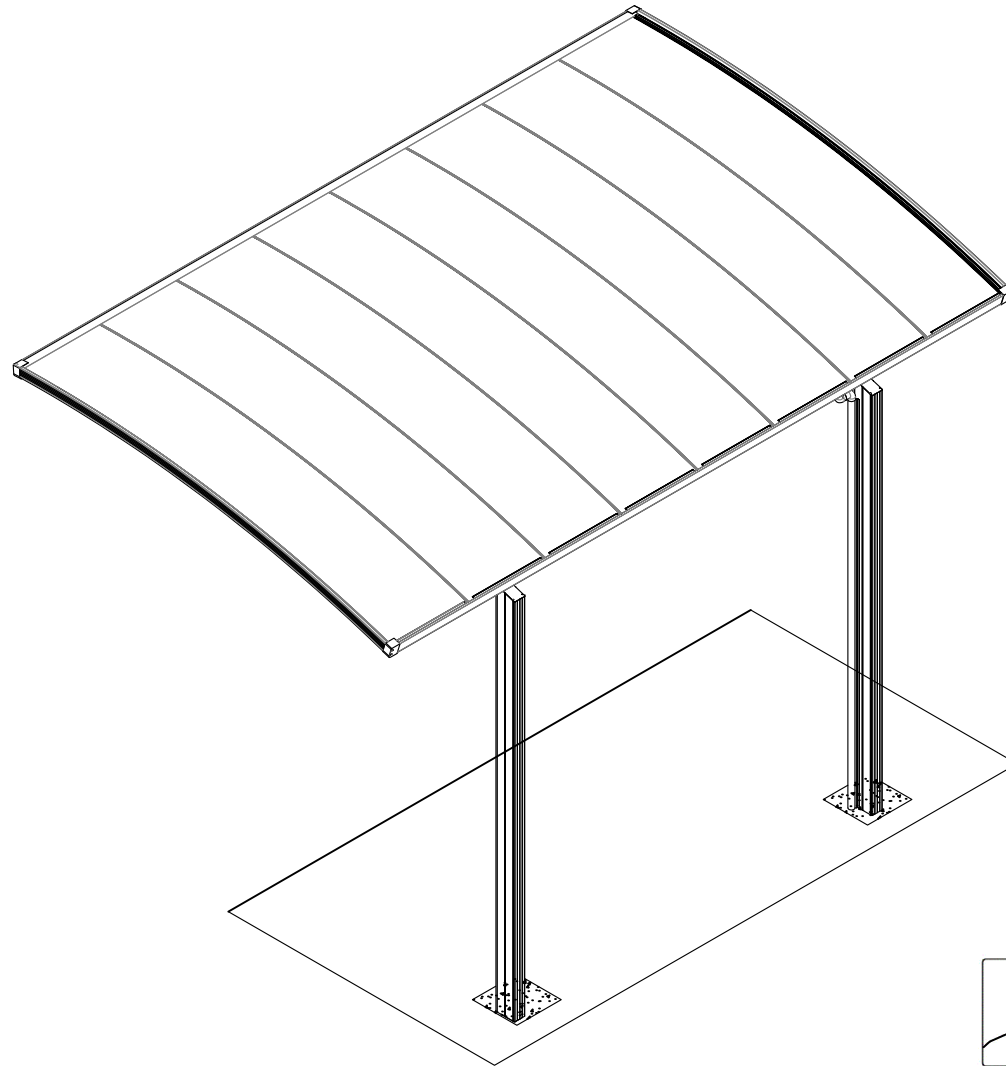
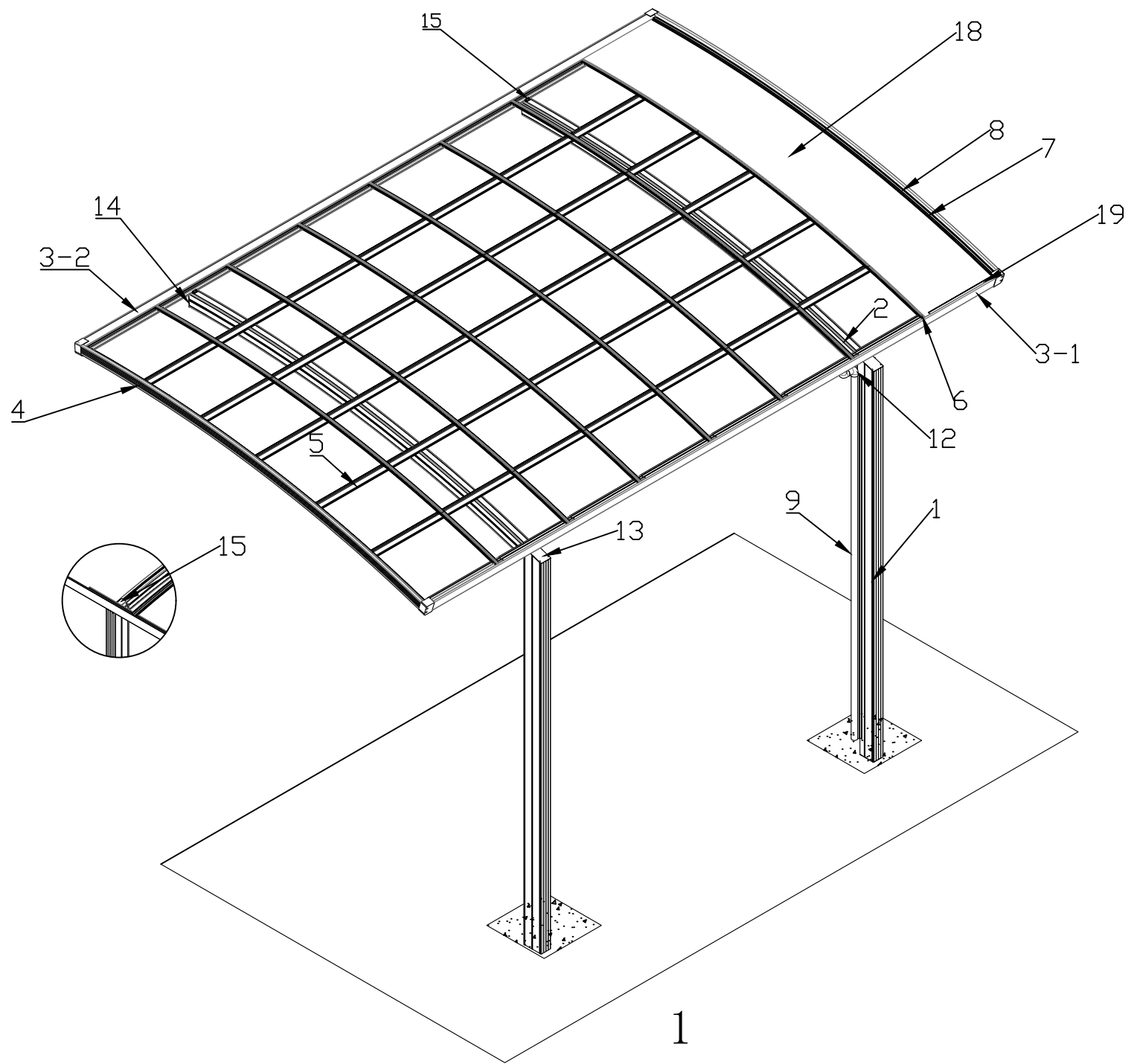










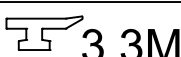









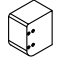
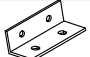







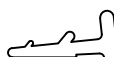






# Carports Installation Notes

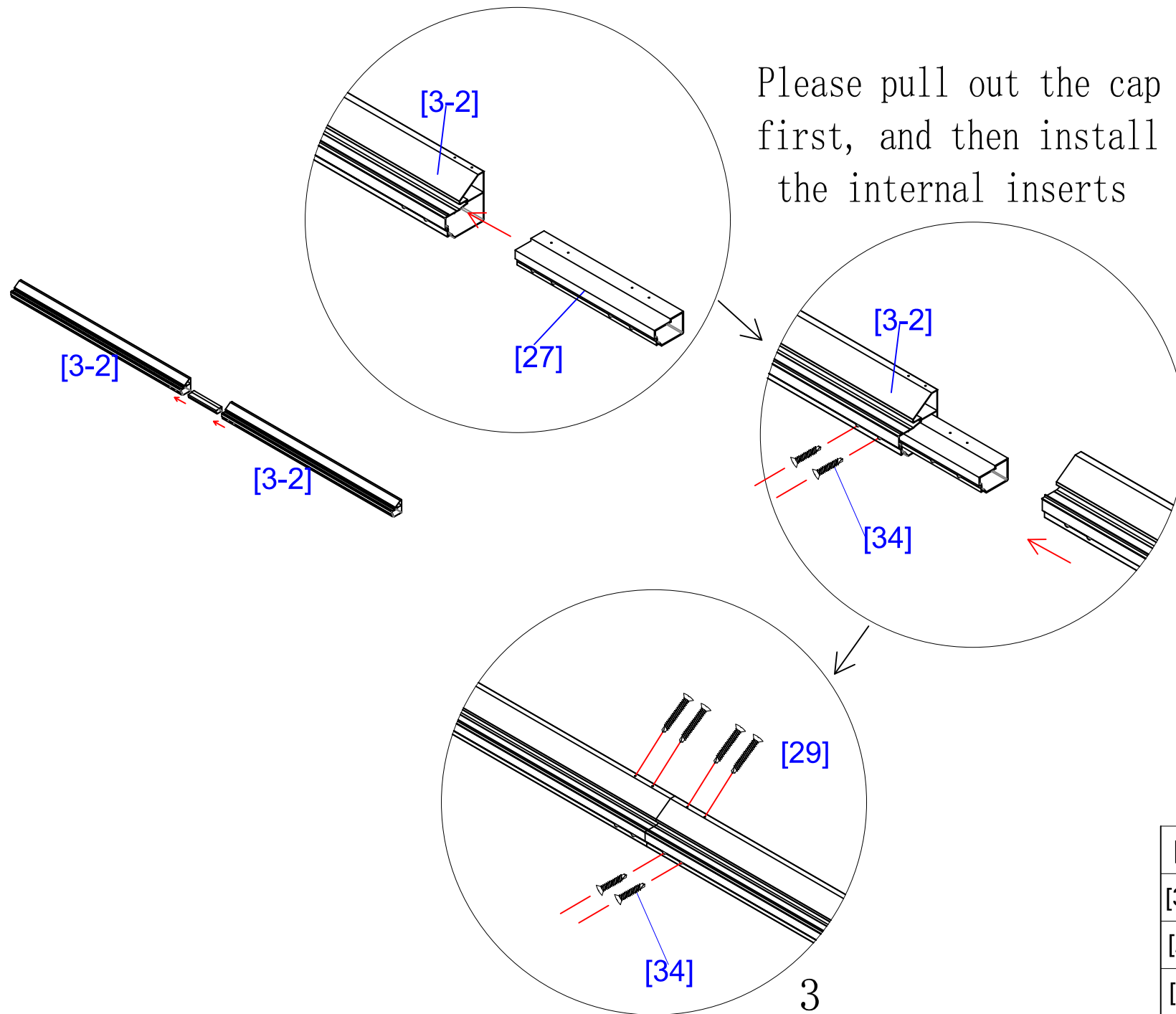








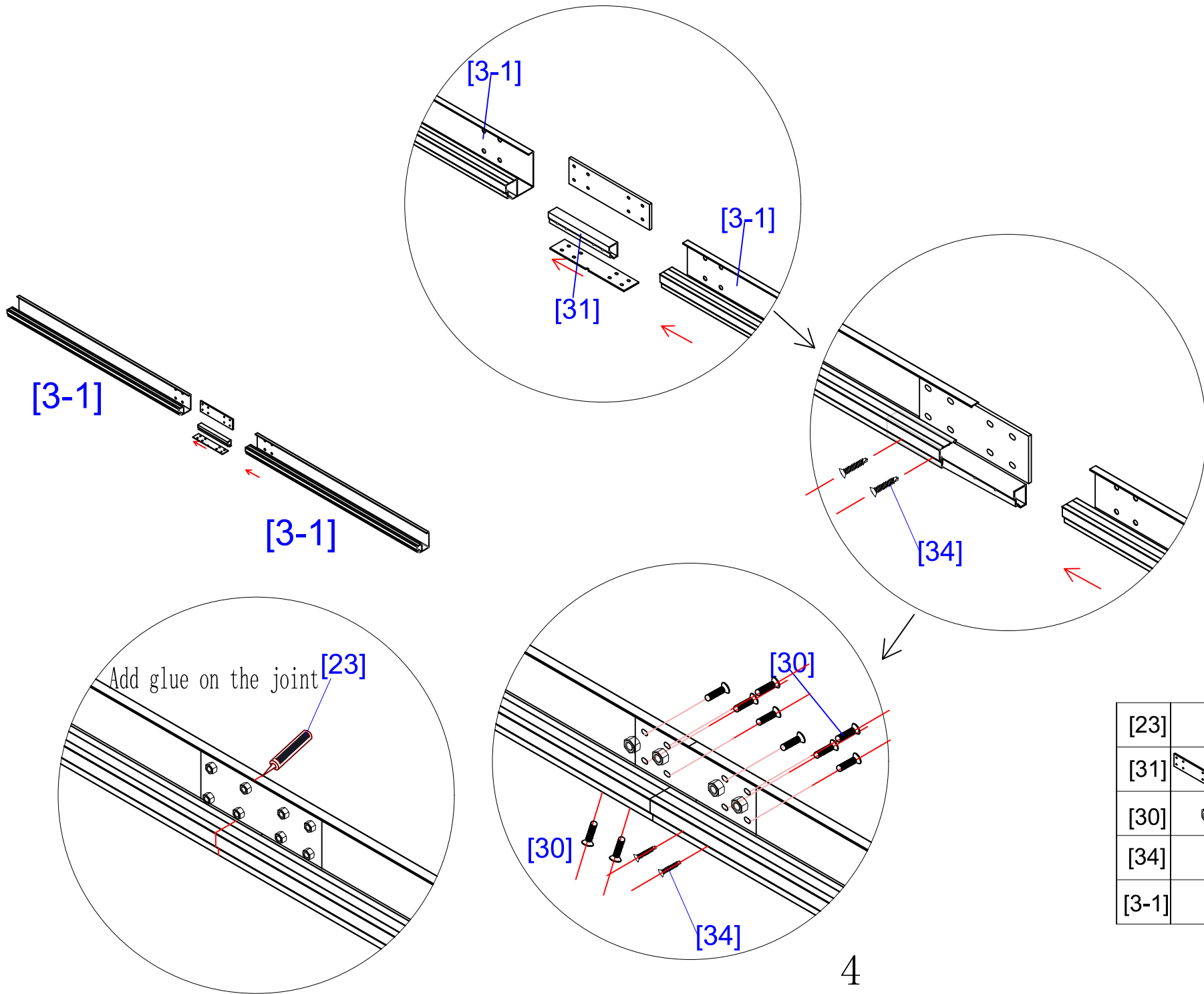
Item	Drawings	Qty	
[1]		2	Post
[2]		2	Bigger support tube
[3-1]		2	Back tube
[3-2]		2	Front tube
[4]		2	Side tube
[5]		10	Small support
[6]		7	Bottom cover strip
[7]		9	Top cover strip
[8]		9	Cover strip
[9]		1	Drainage tube
[10]	 3.3M	17	Rubber
[11]		1	Straight connector
[12]		2	Conner connector
[13]		2	Cap for post
[14]		2	Cap for support tube
[15]		2	Bracket+Support
[16]	 M4. 2*25	209	Screw
[17]	 M4. 2*15	37	Screw


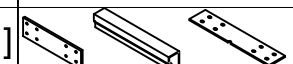



Item	Drawings	Qty	
[18]	PC sheet	8	PC sheet
[19]		8	channel for inserting PC sheet
[20]	 M5. 5*25	14	Screw
[21]		4	End Cap
[22]		4	Reinforcement parts
[23]		4	Glue
[27]		1	Internal inserts
[29]	 M4. 2*50	4	Screw
[30]	 M6*12	16	Screw
[31]		1	Internal inserts
[33]		5	Internal inserts
[34]	 M3. 5*16	48	Screw
[36]		6M	Adhesive strip
[37]	 $\phi 3.5$	3	Drill
If you need post base plate, please extra buy below accessory			
[24]	 M10*35	12	Screw
[25]	 M10*150	12	Expansion bolt
[26]		2	Post base plate

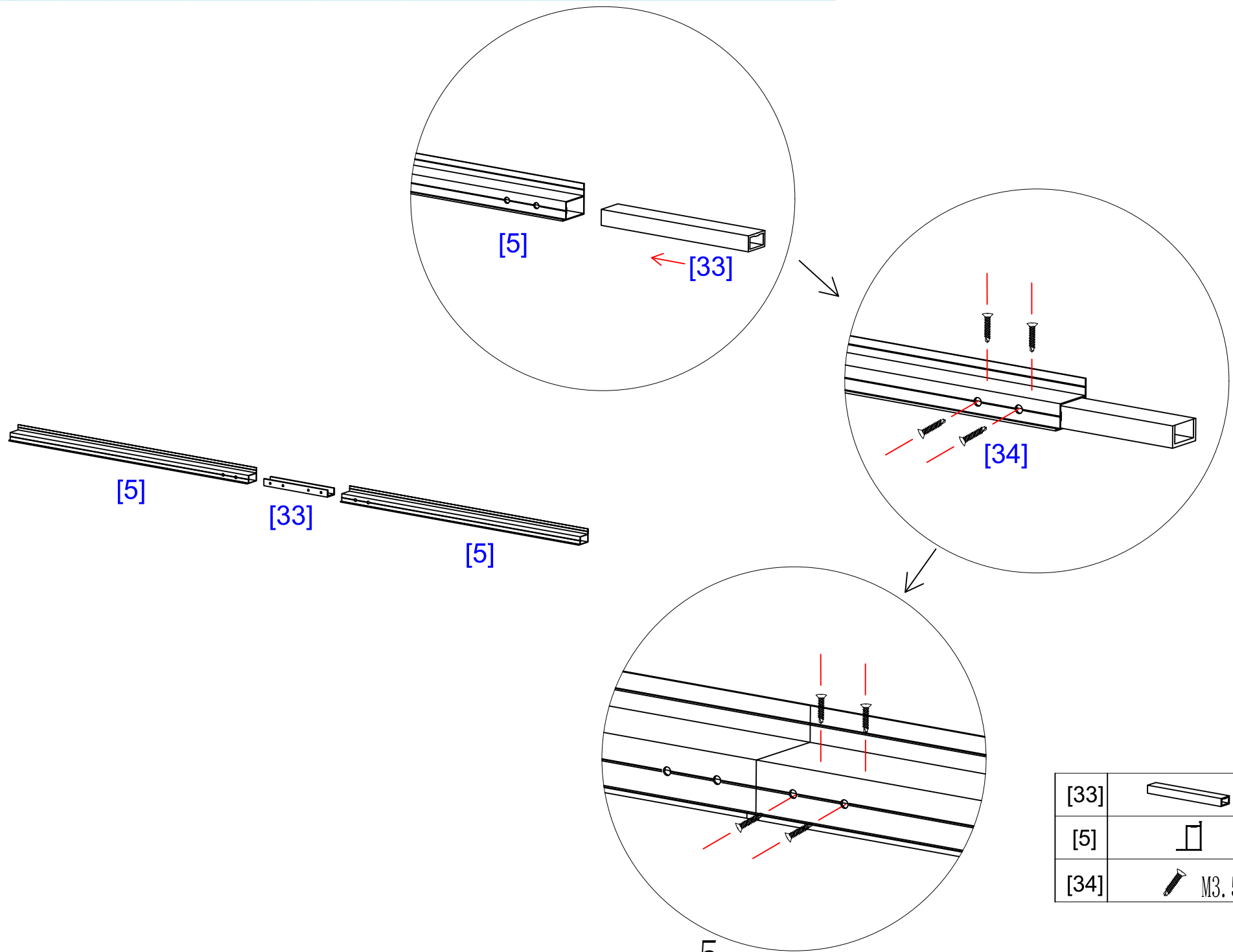
# STEP1: Connect each beam with internal inserts



[29]	 M4. 2*50	4
[3-2]		2
[27]		1
[34]	 M3. 5*16	4

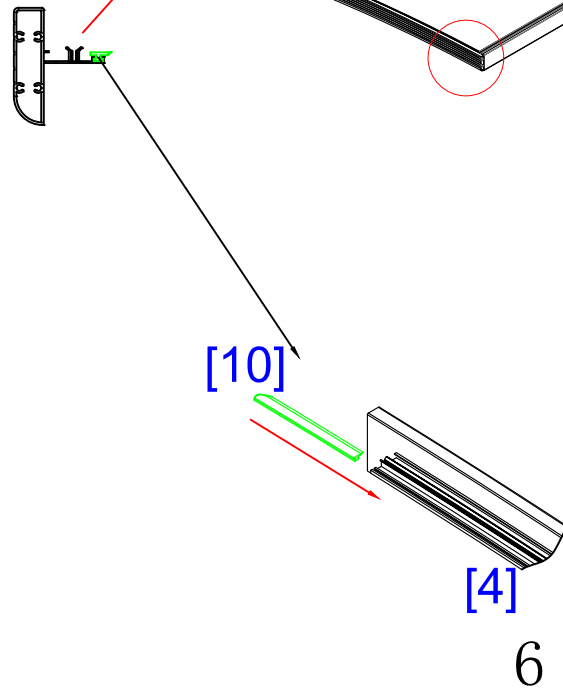
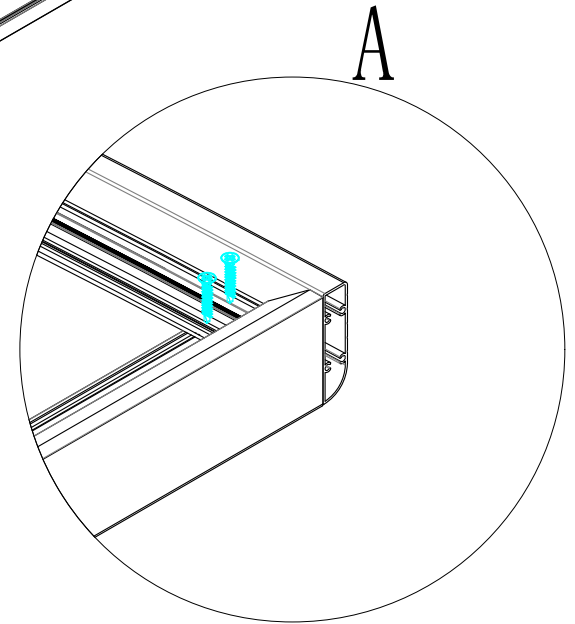
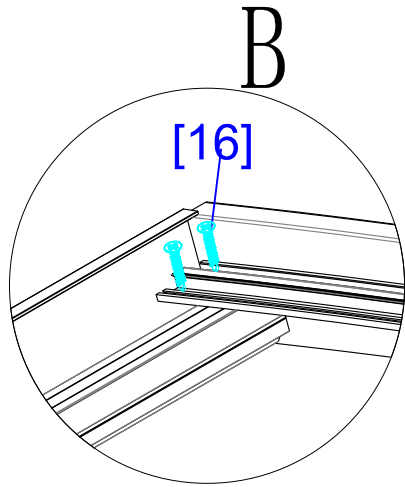
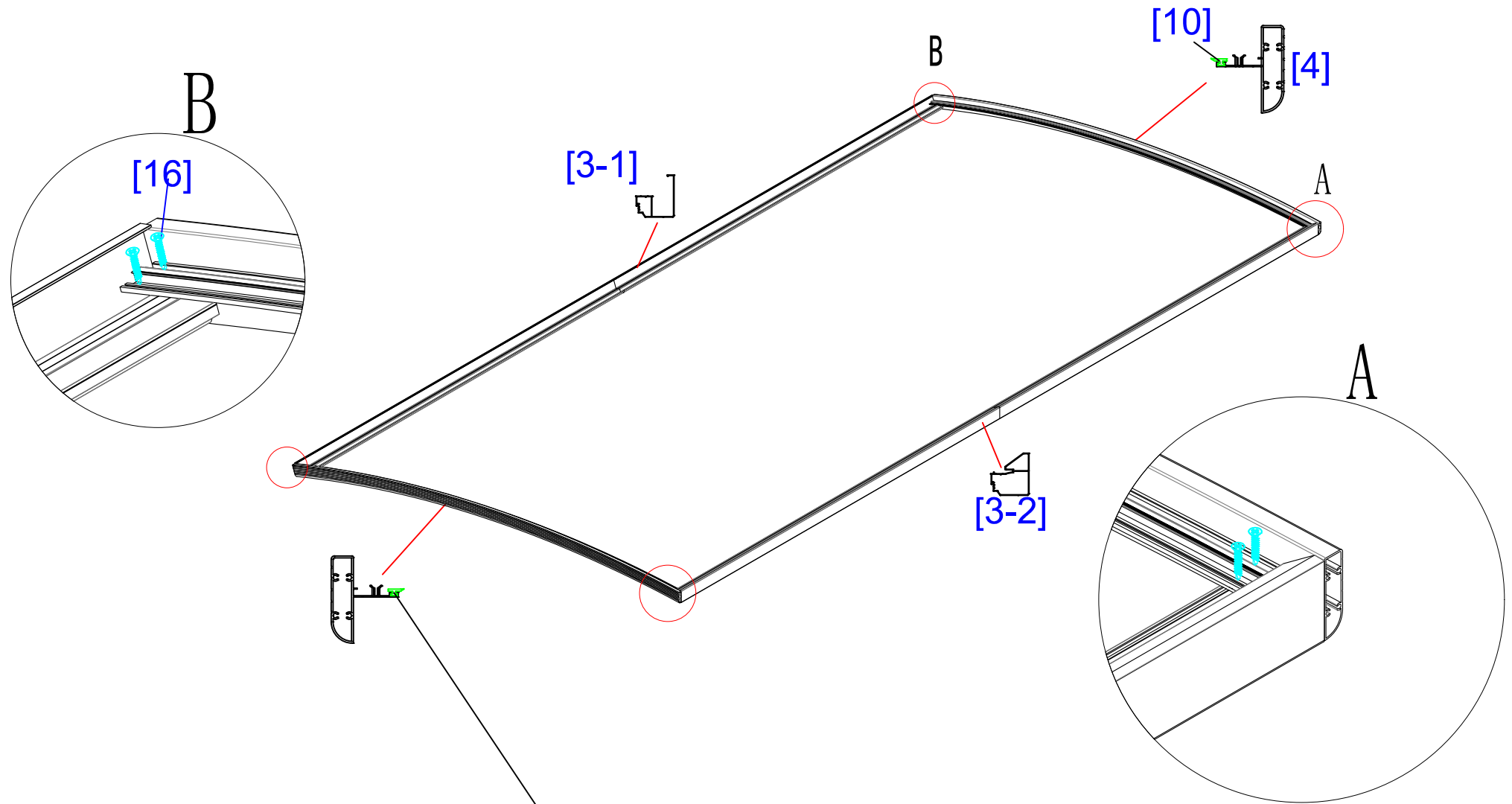


[23]		1
[31]		1
[30]	 M6*12	16
[34]	 M3.5*16	4
[3-1]		2



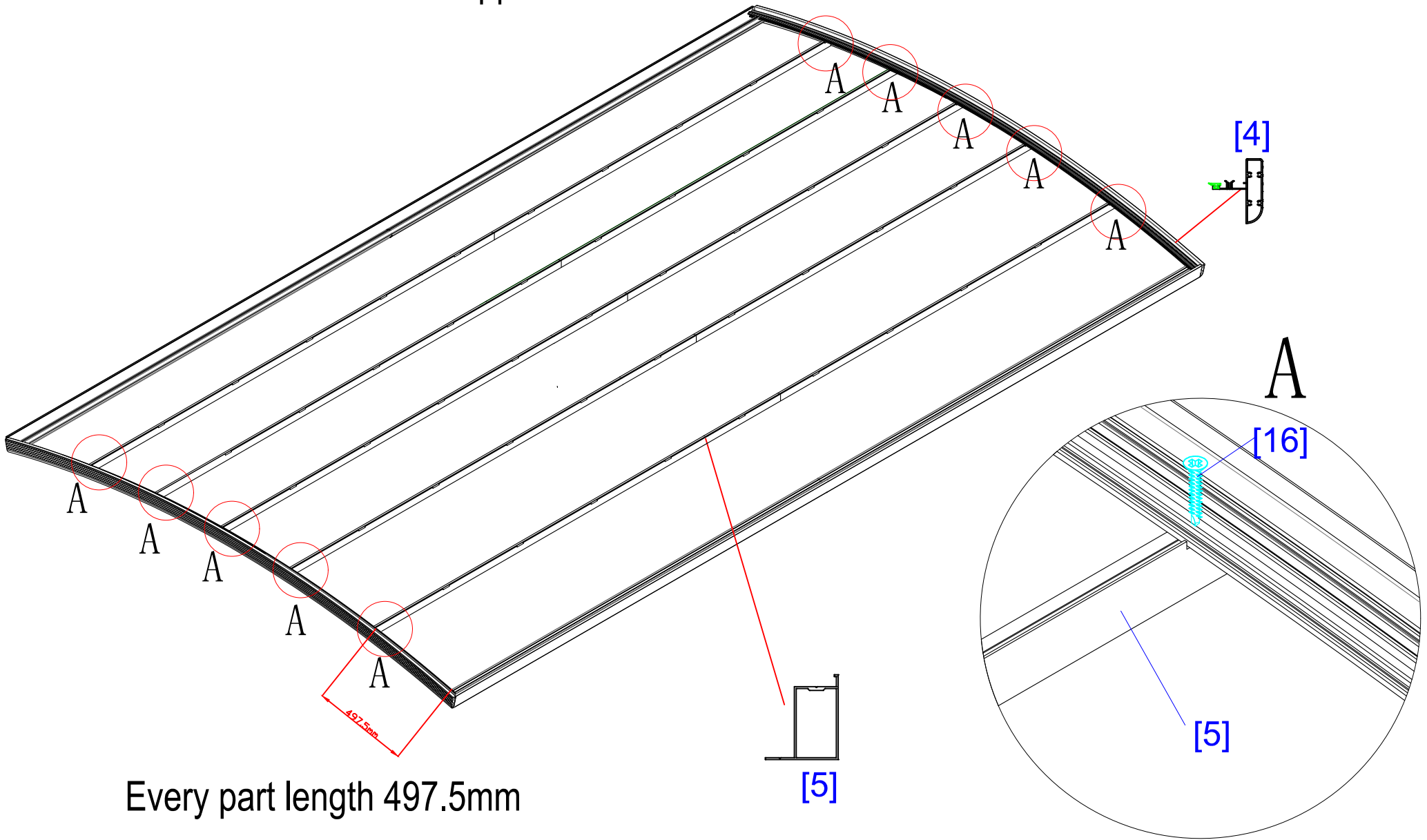
[33]		5
[5]		10
[34]	M3.5*16	40

# STEP2:Install border



[3-1]		2
[3-2]		2
[4]		2
[10]		X
[16]	M4. 2*25	8

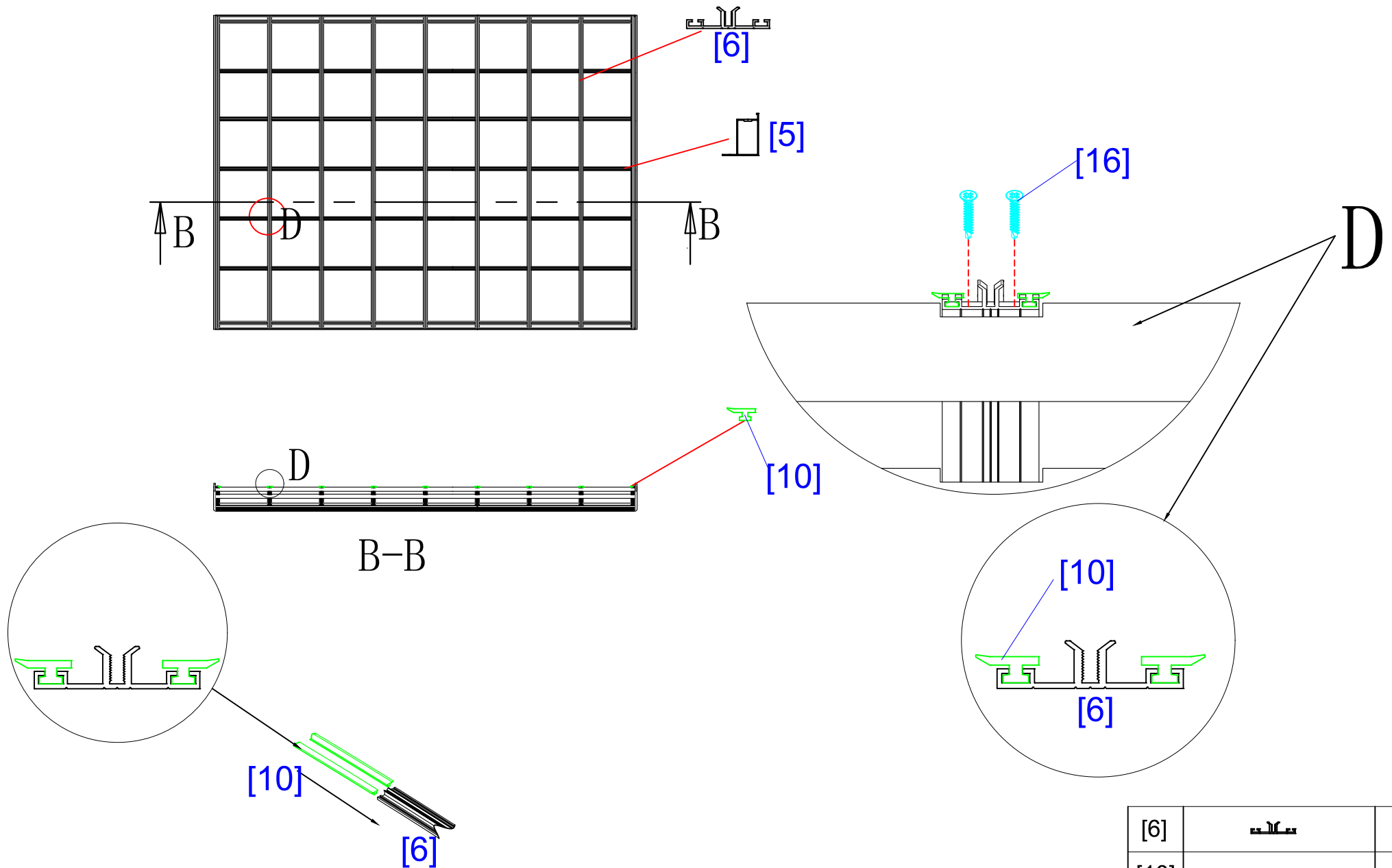
# STEP3: Install 5 horizontal support beam






[5]		10
[16]		10

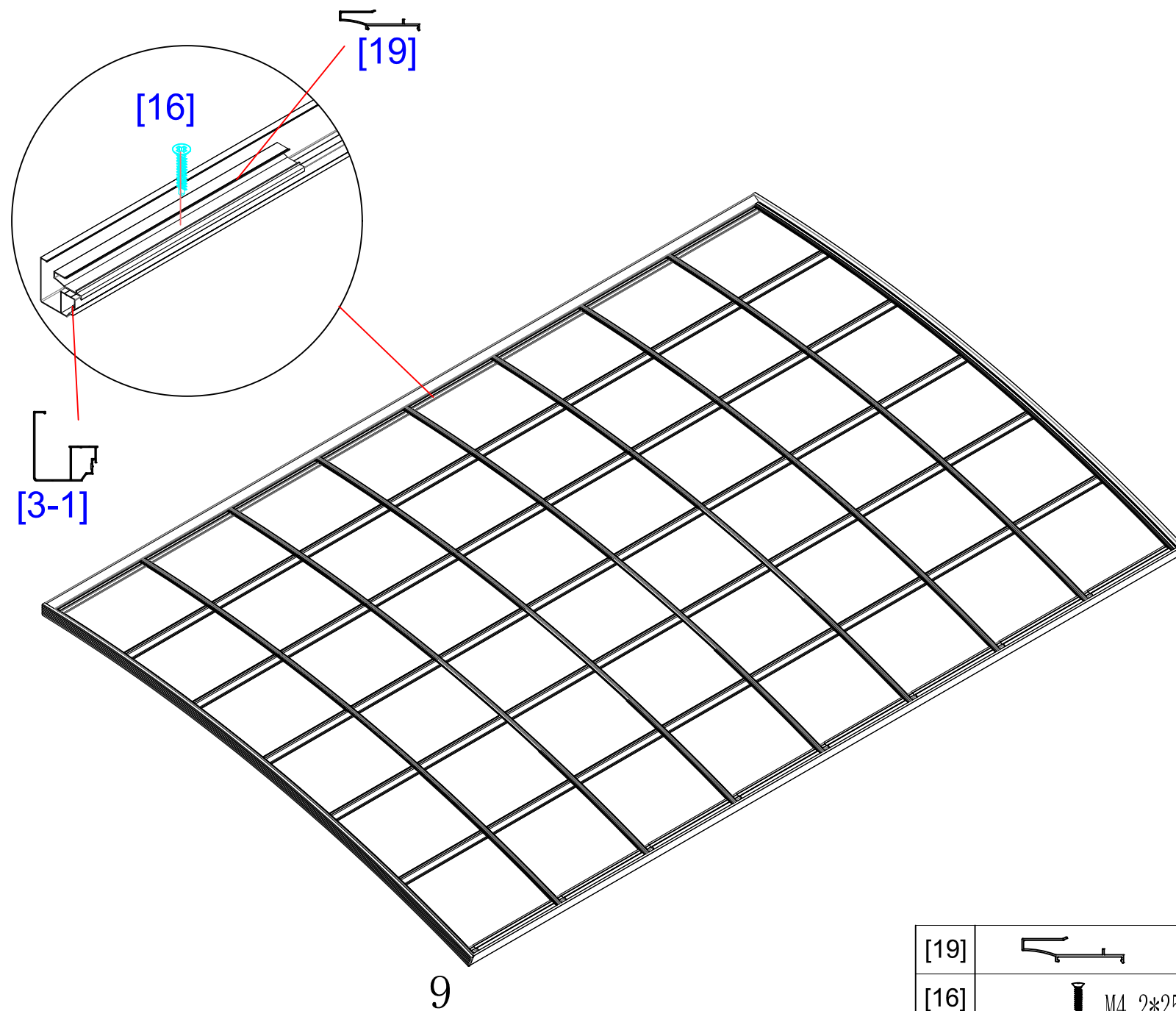




# STEP4: Install 7 vertical support beam



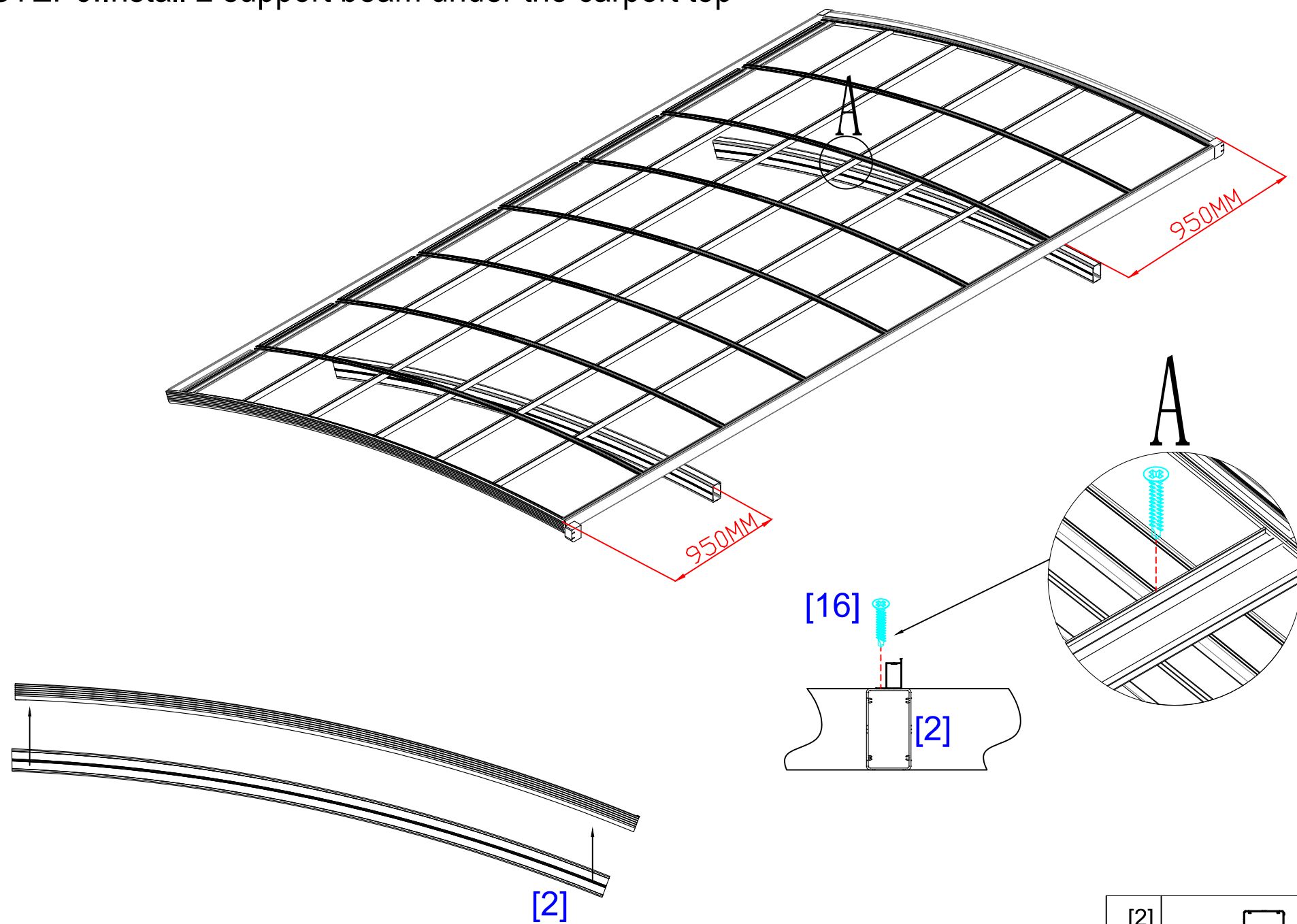
[6]		7
[10]		X
[16]	 M4. 2*25	98



# STEP5:Install border cover linear



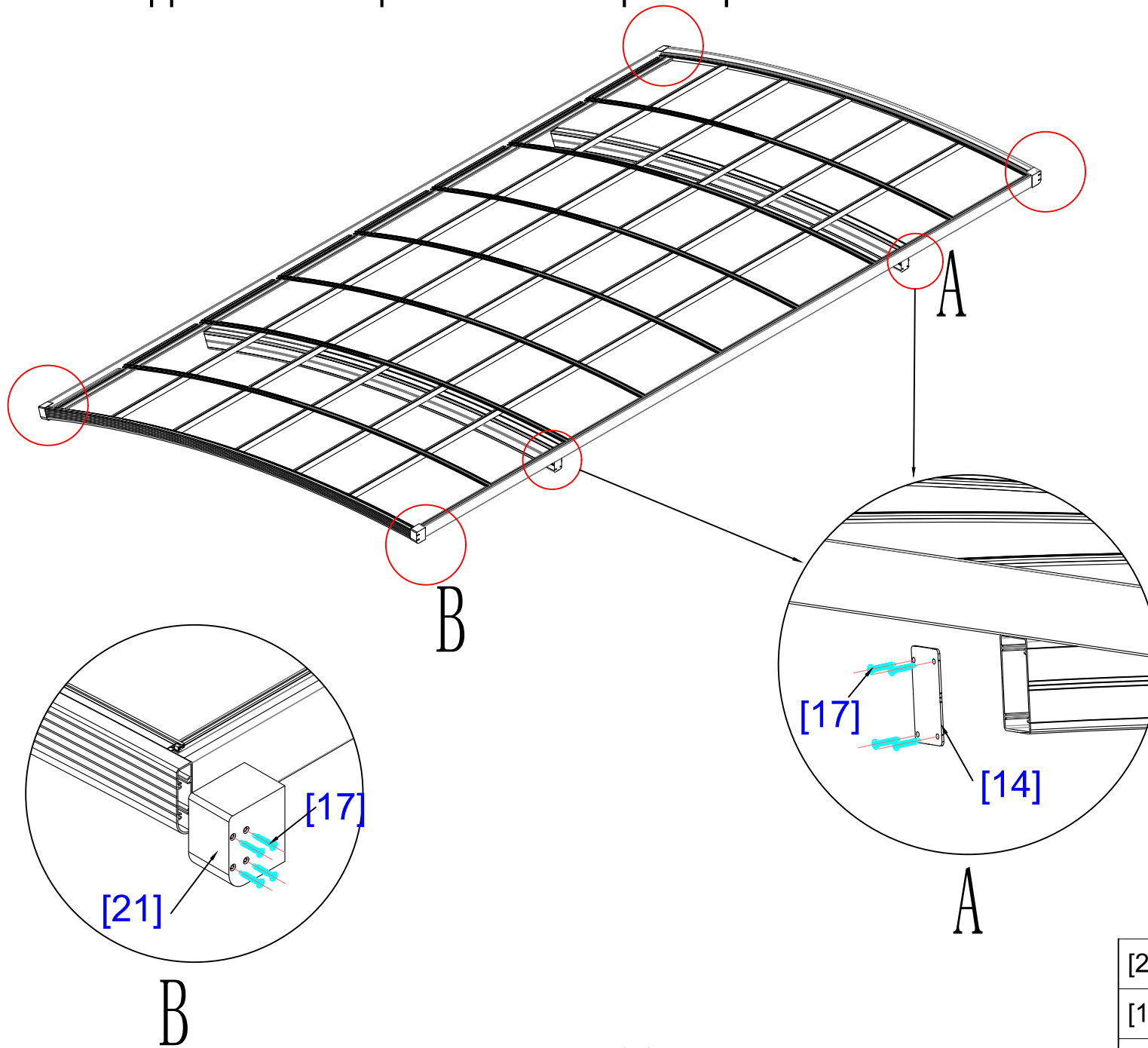
[19]		8
[16]	 M4. 2*25	8




# STEP6: Install 2 support beam under the carport top



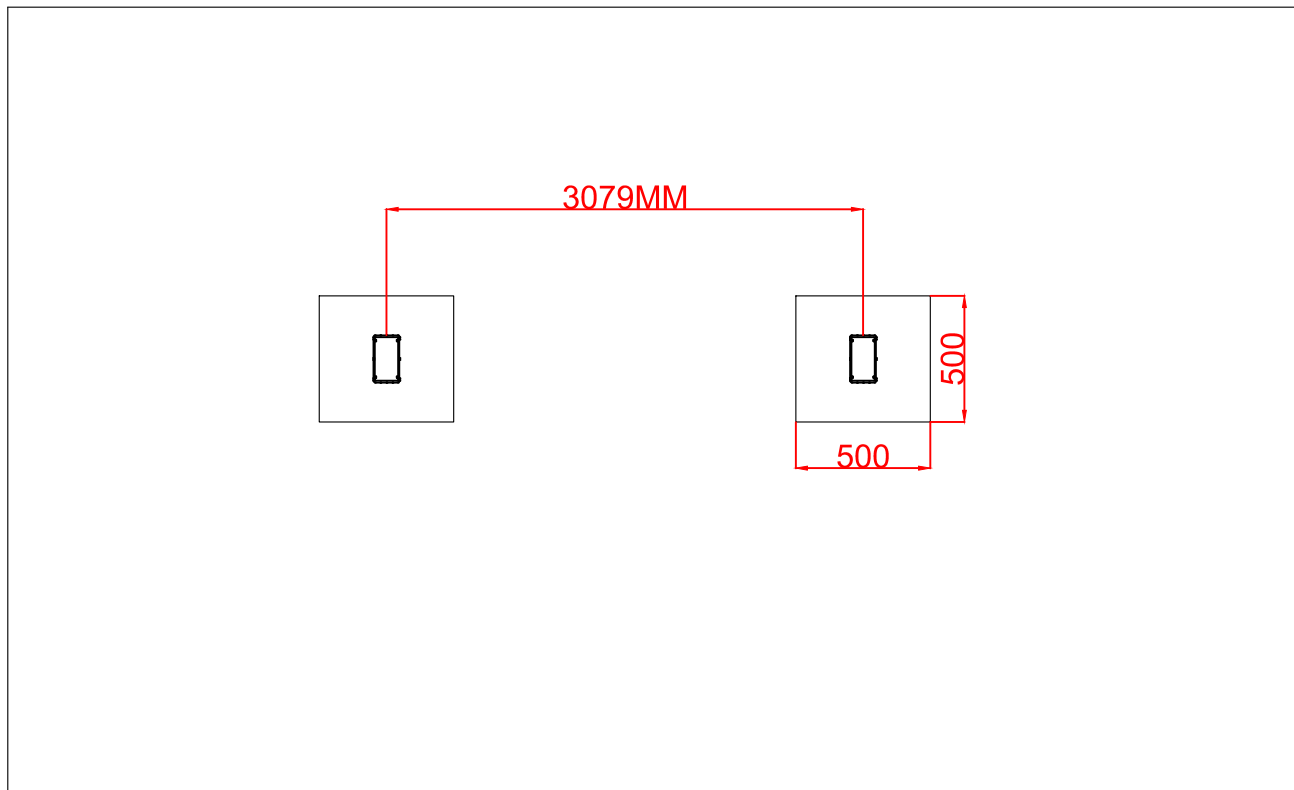
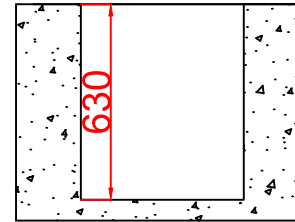
[2]		2
[16]	 M4. 2*25	10

# STEP7: Install support beam cap under the carport top

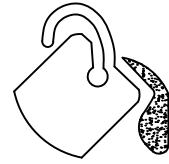


[21]		4
[14]		2
[17]	 M4. 2*15	24

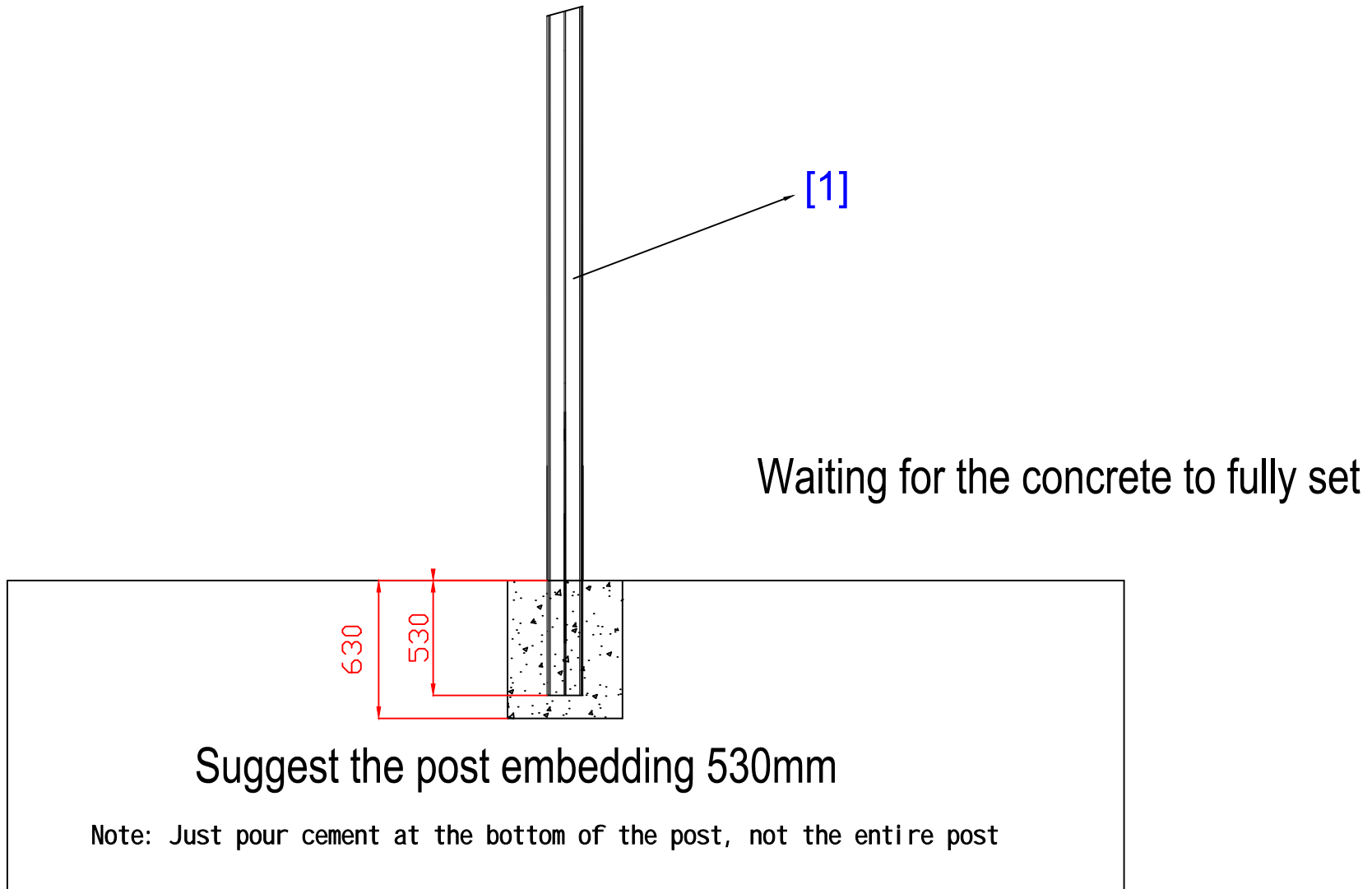
## STEP8:Excavate pits for pre embedded posts on the ground



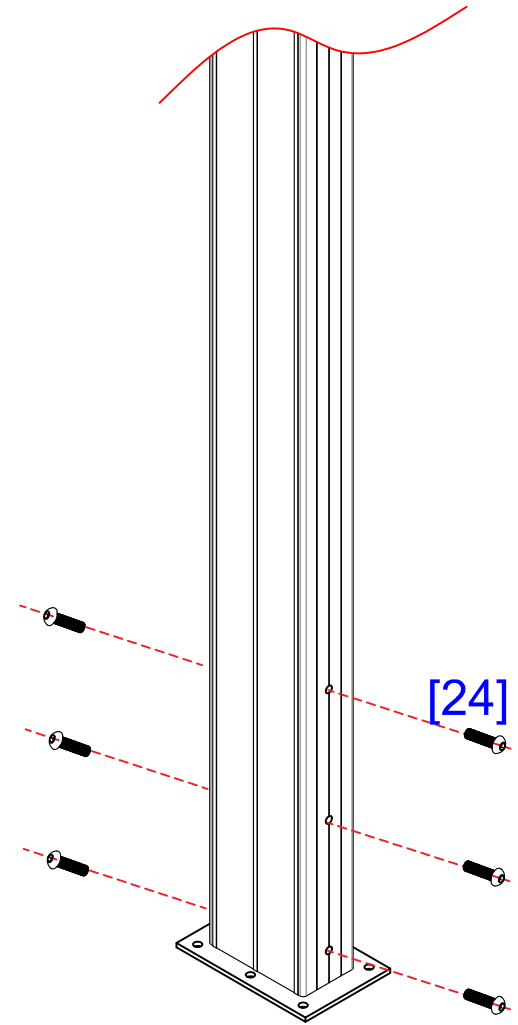
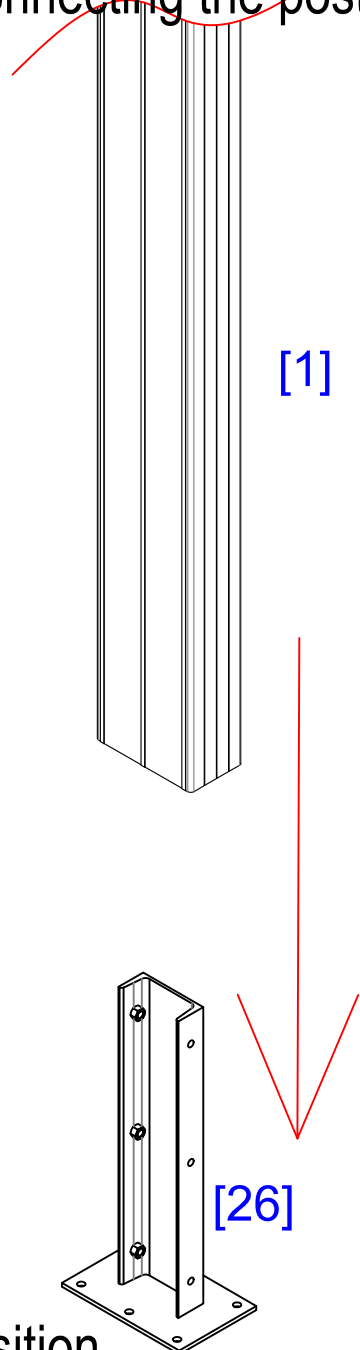
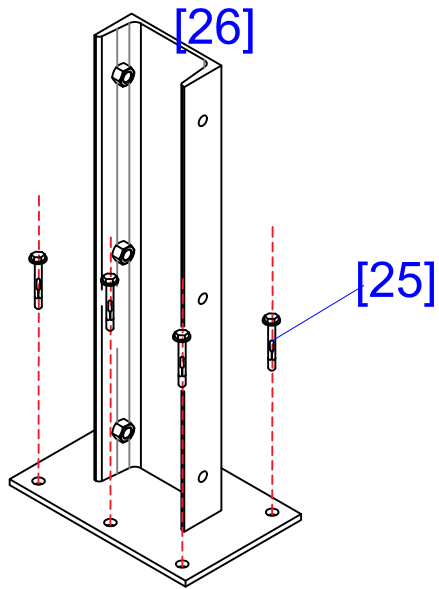
## STEP9:Place Post in the middle of the pit



Concreting







(Optional) Fixed post base plate, and connecting the post

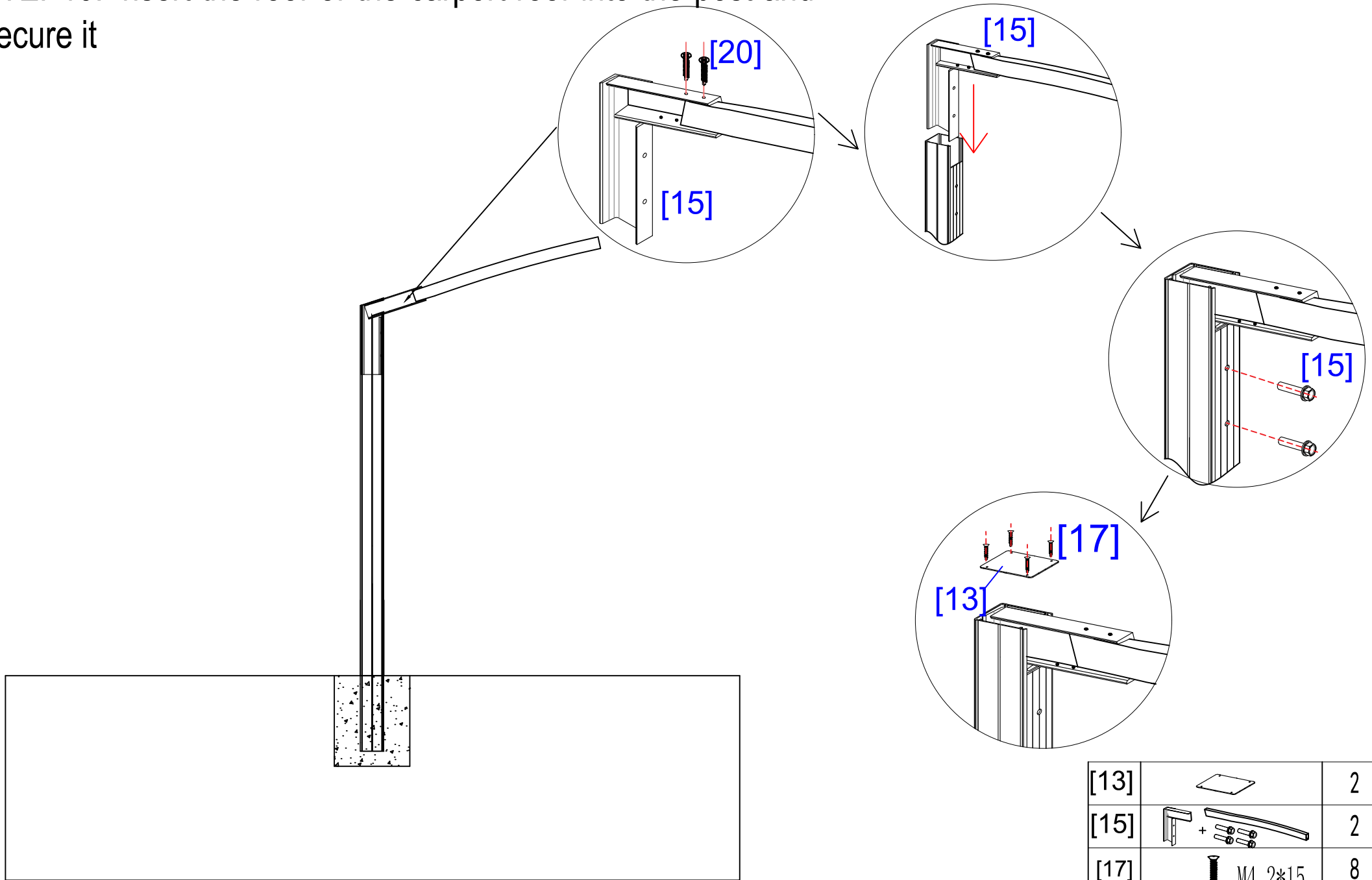


If the ground is made of concrete, also can choose post base plate

Drill holes on the post according to the position of the base plate hole

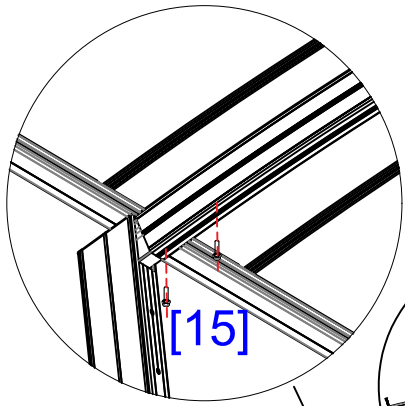
[1]		2
[26]		2
[25]	 M10*150	12
[24]	 M10*35	12

STEP10: Insert the roof of the carport roof into the post and secure it

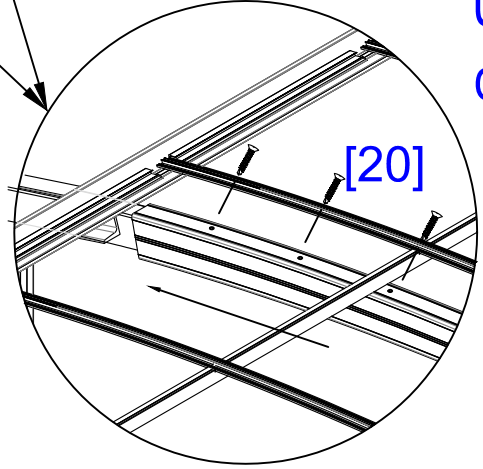
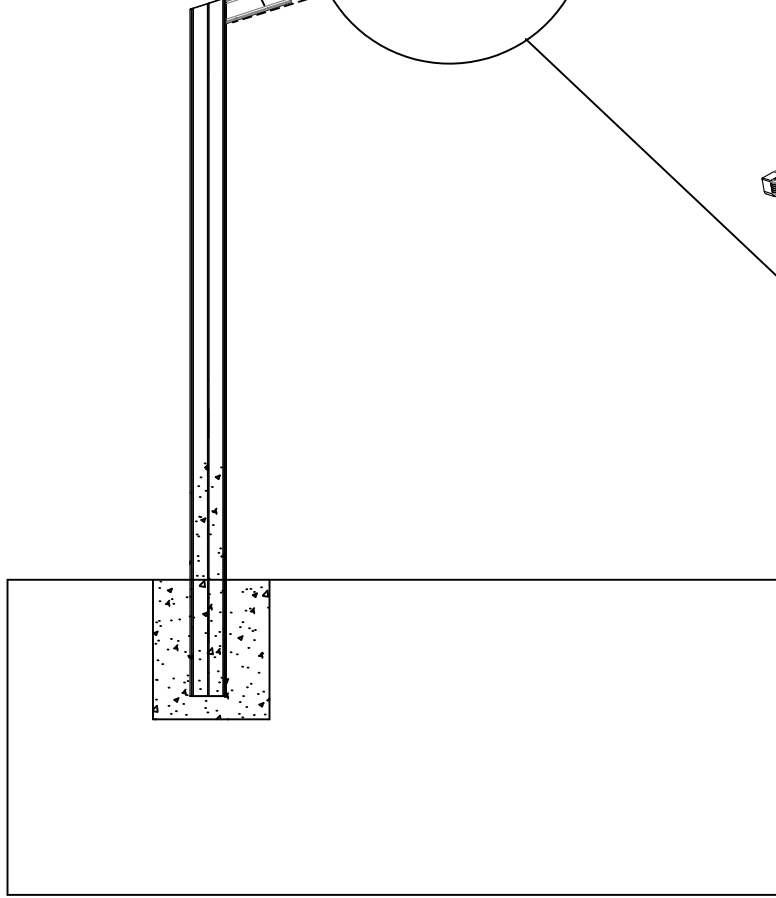
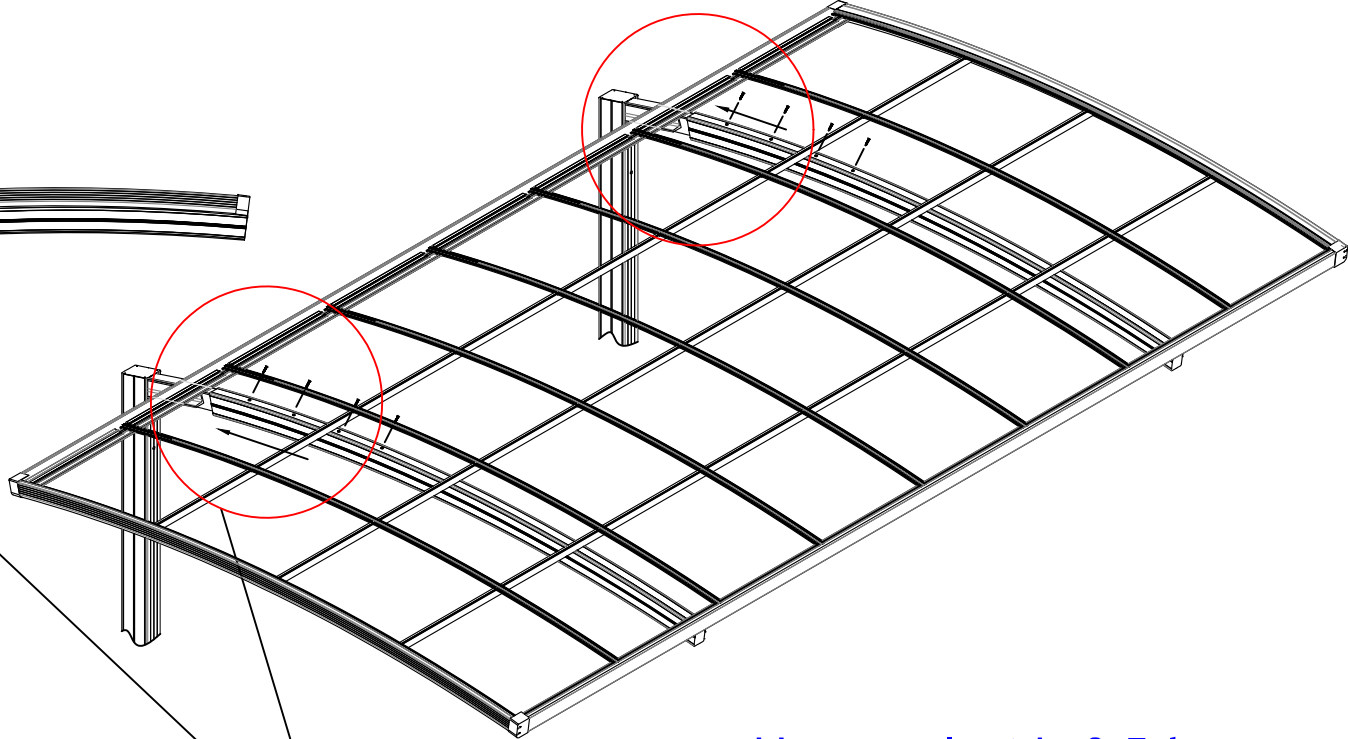
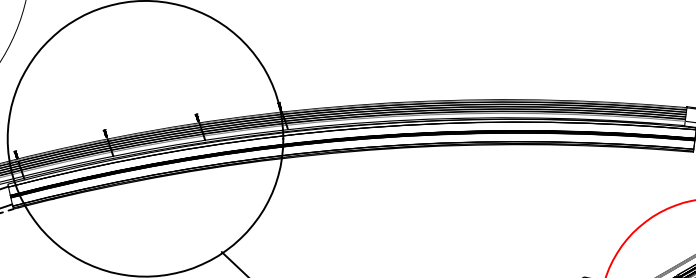


[13]		2
[15]		2
[17]		8
[20]		6





[15]

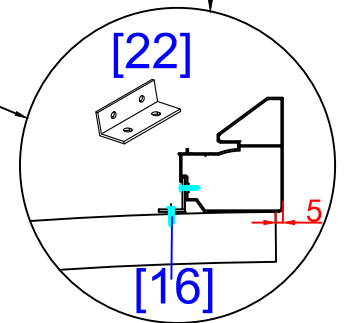
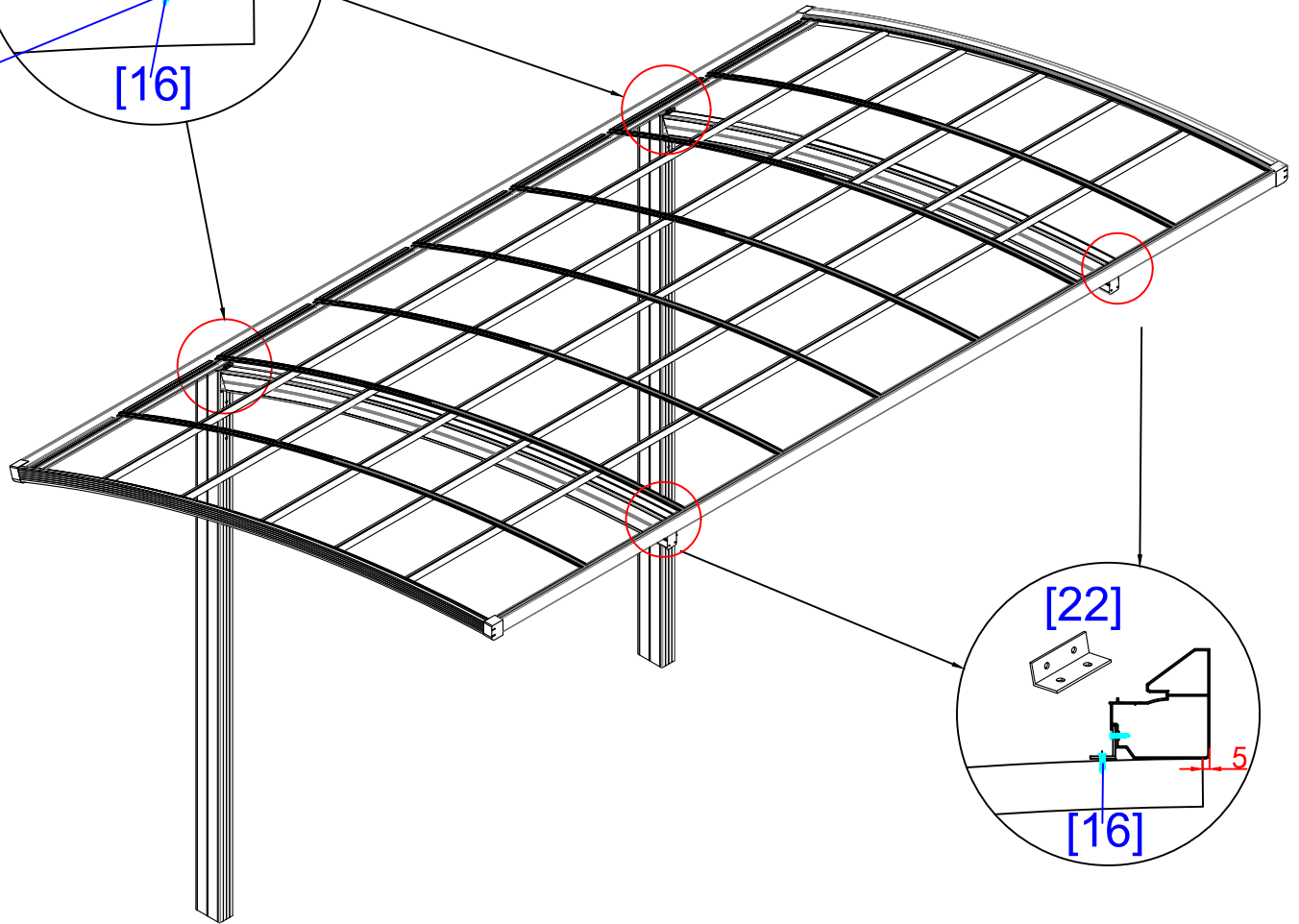
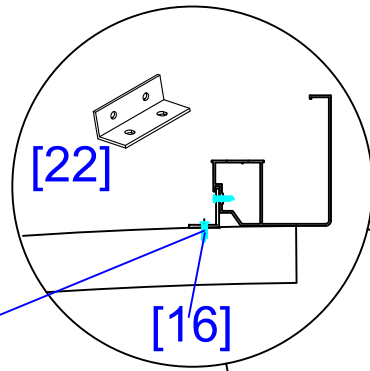



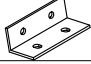

[20]

Use an electric 3.5  $\phi$  drill to drill holes in advance

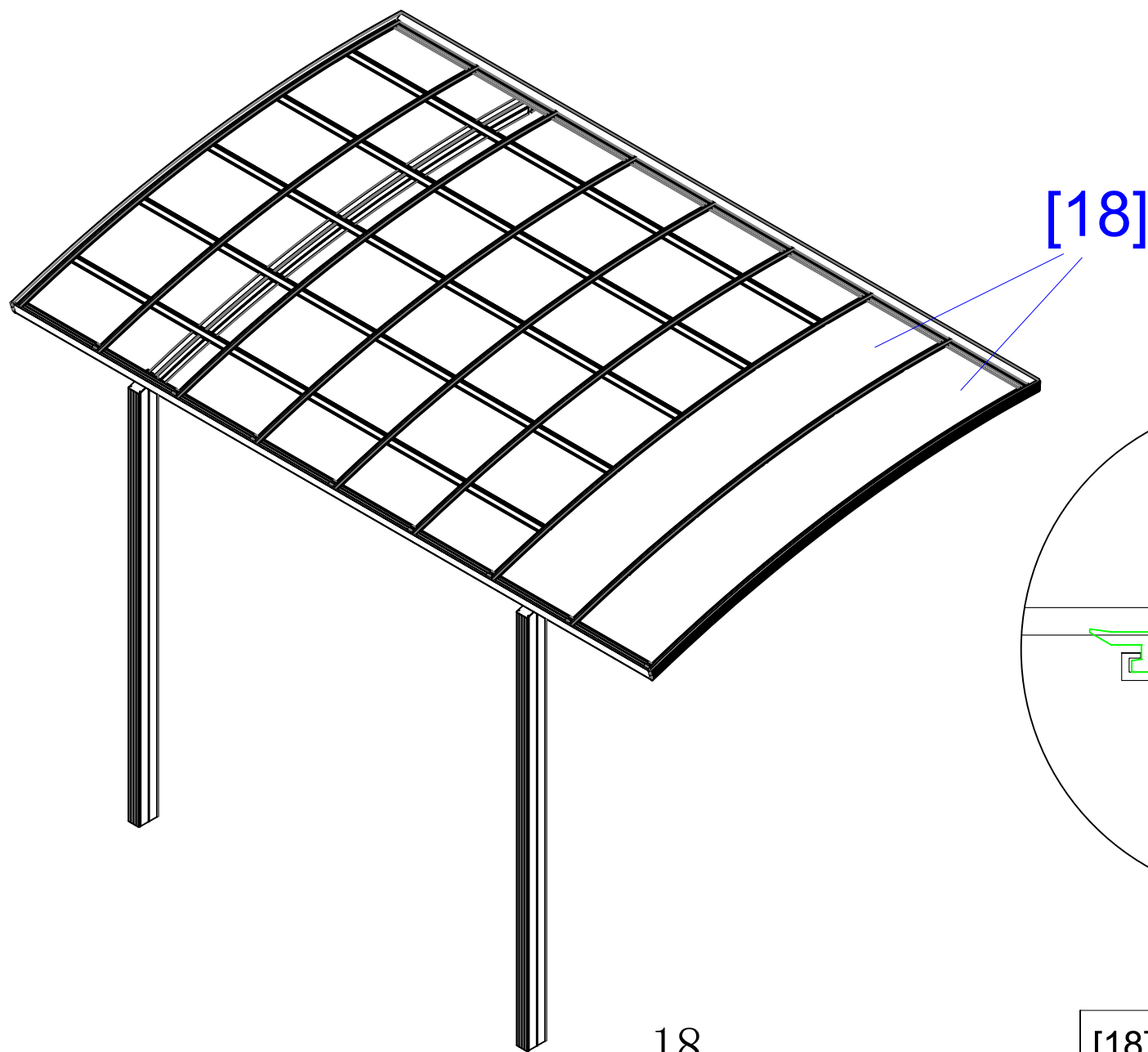
[20]	 M5. 5*25	8
------	--	---

Use an electric 3.5  $\phi$   
drill to drill holes in advance



[37]	 $\phi 3.5$	1
[22]		4
[16]	 M4. 2*25	16

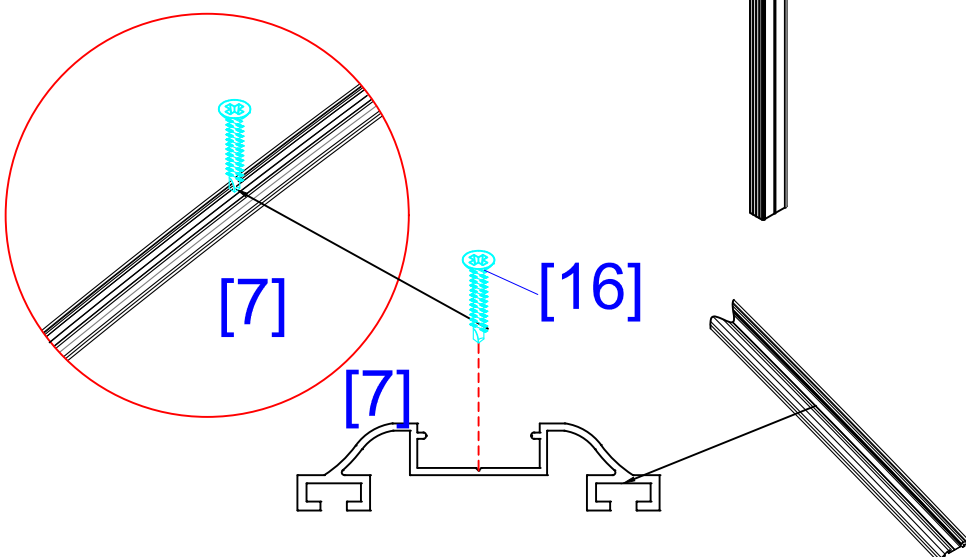
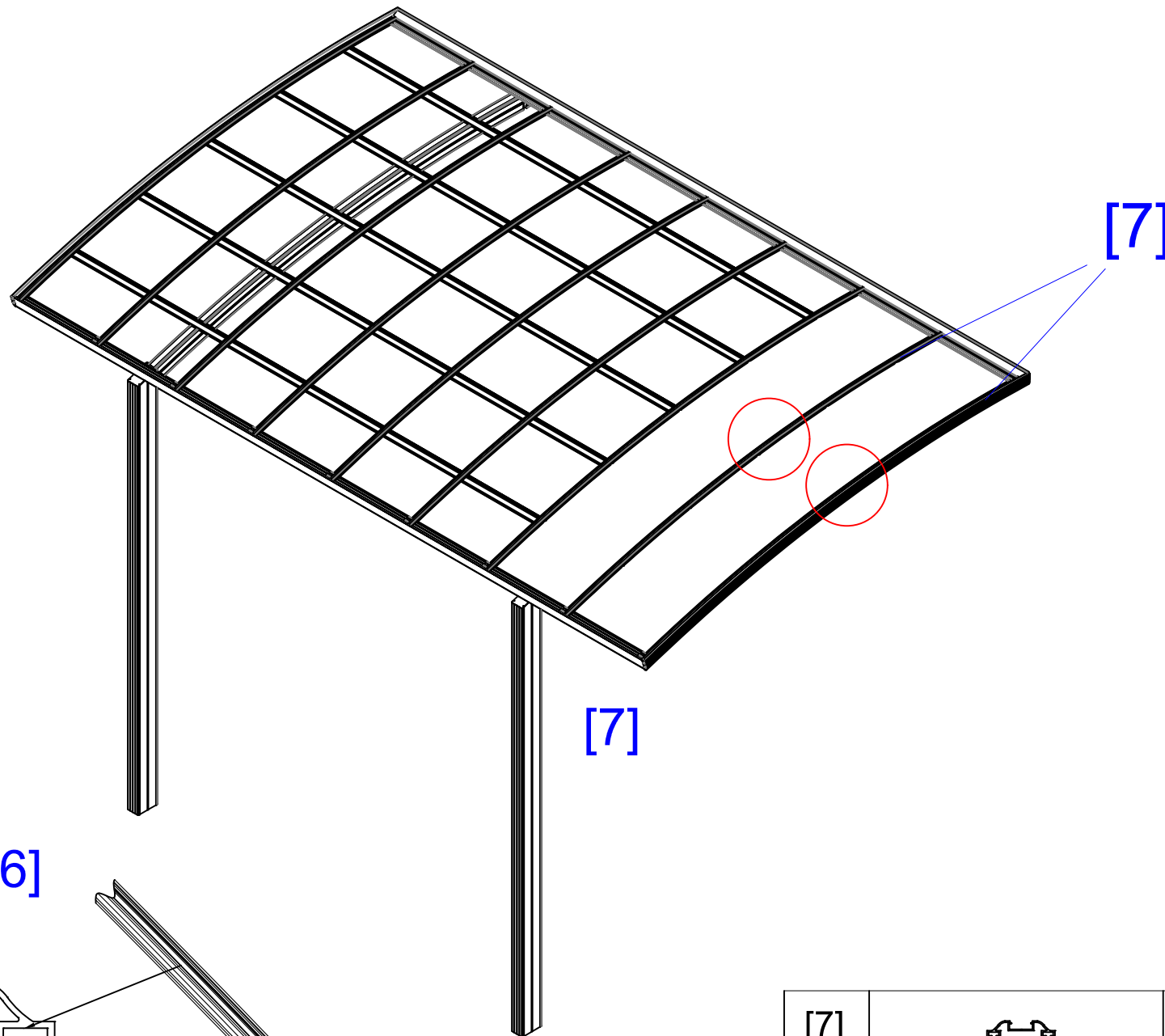
# STEP11: Install solid PC board





18

[18]	PC sheet	2
------	----------	---

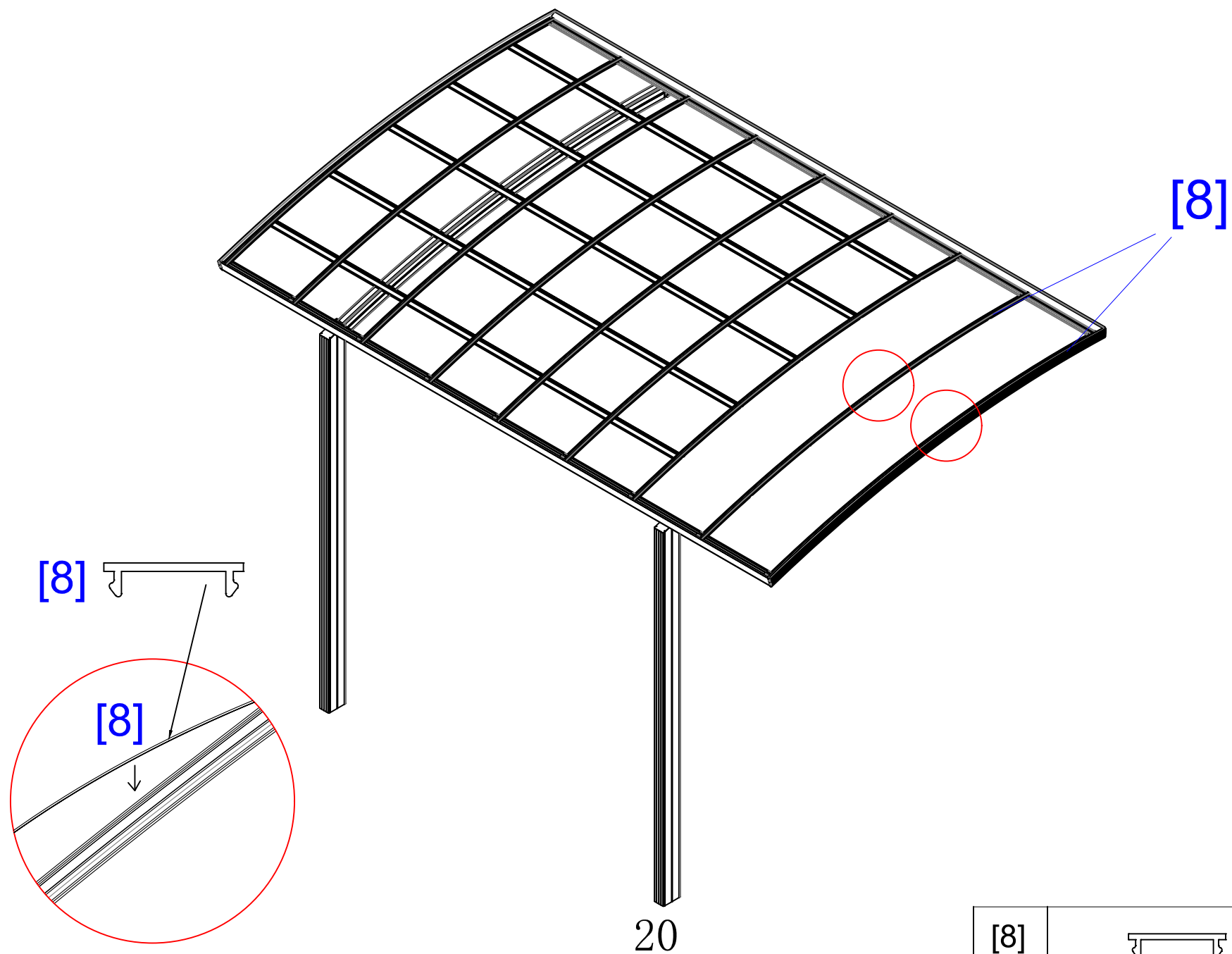
# STEP12: Install batten and insert the adhesive strip

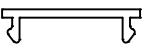


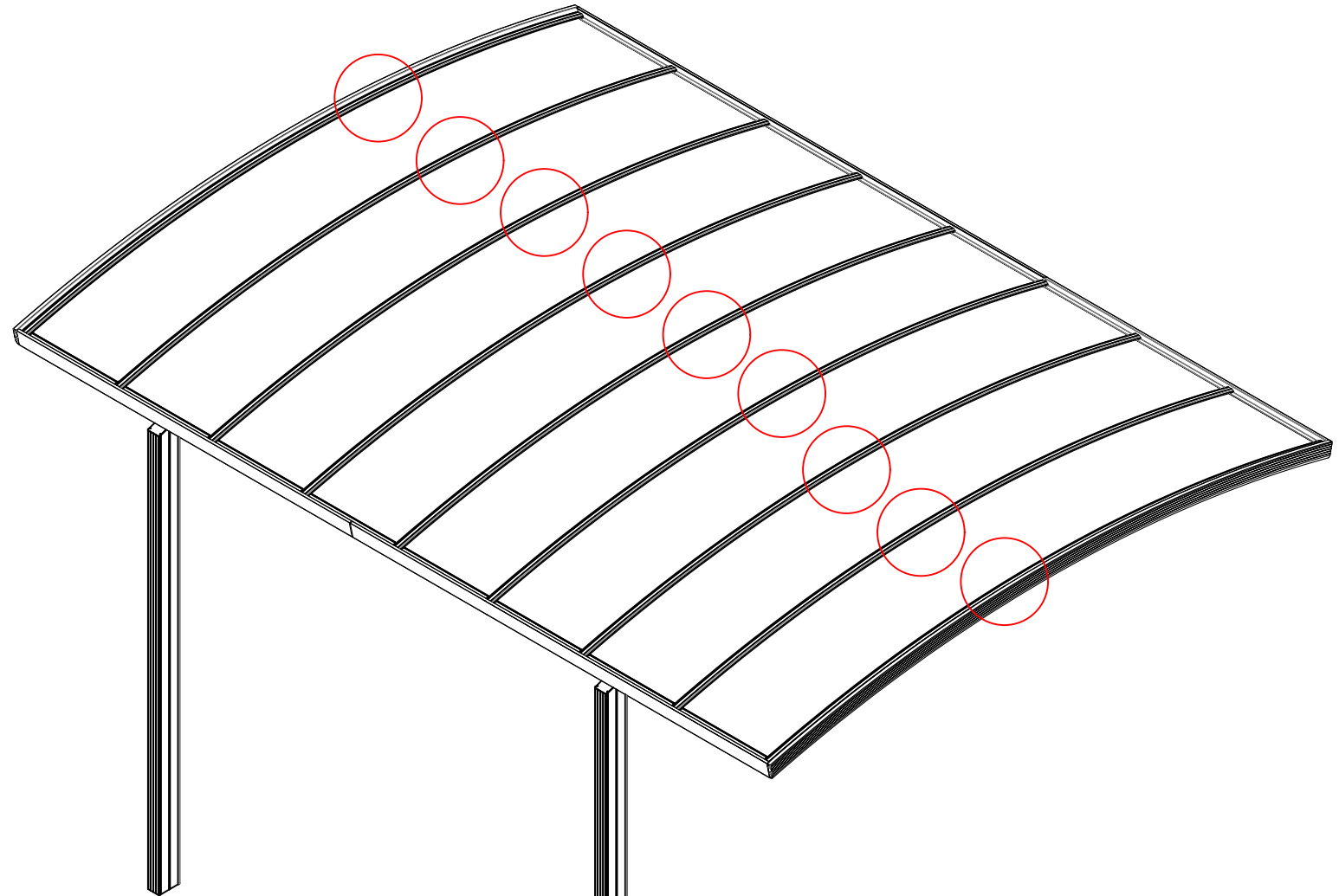
19

[7]		2
[16]	 M4. 2*25	10

# STEP13: Install cover linear

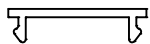




[8]		2
-----	---	---



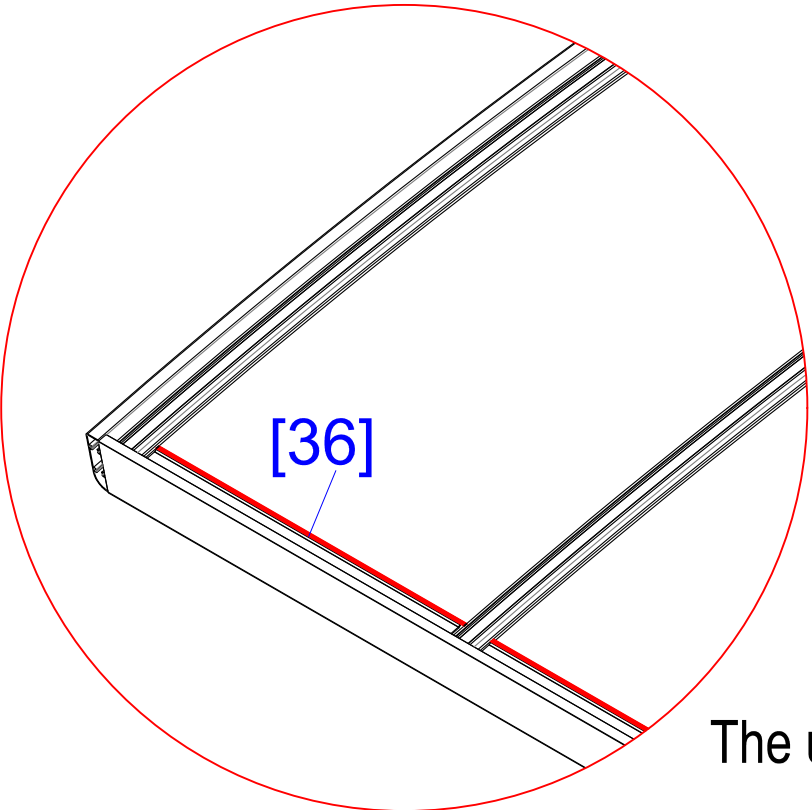
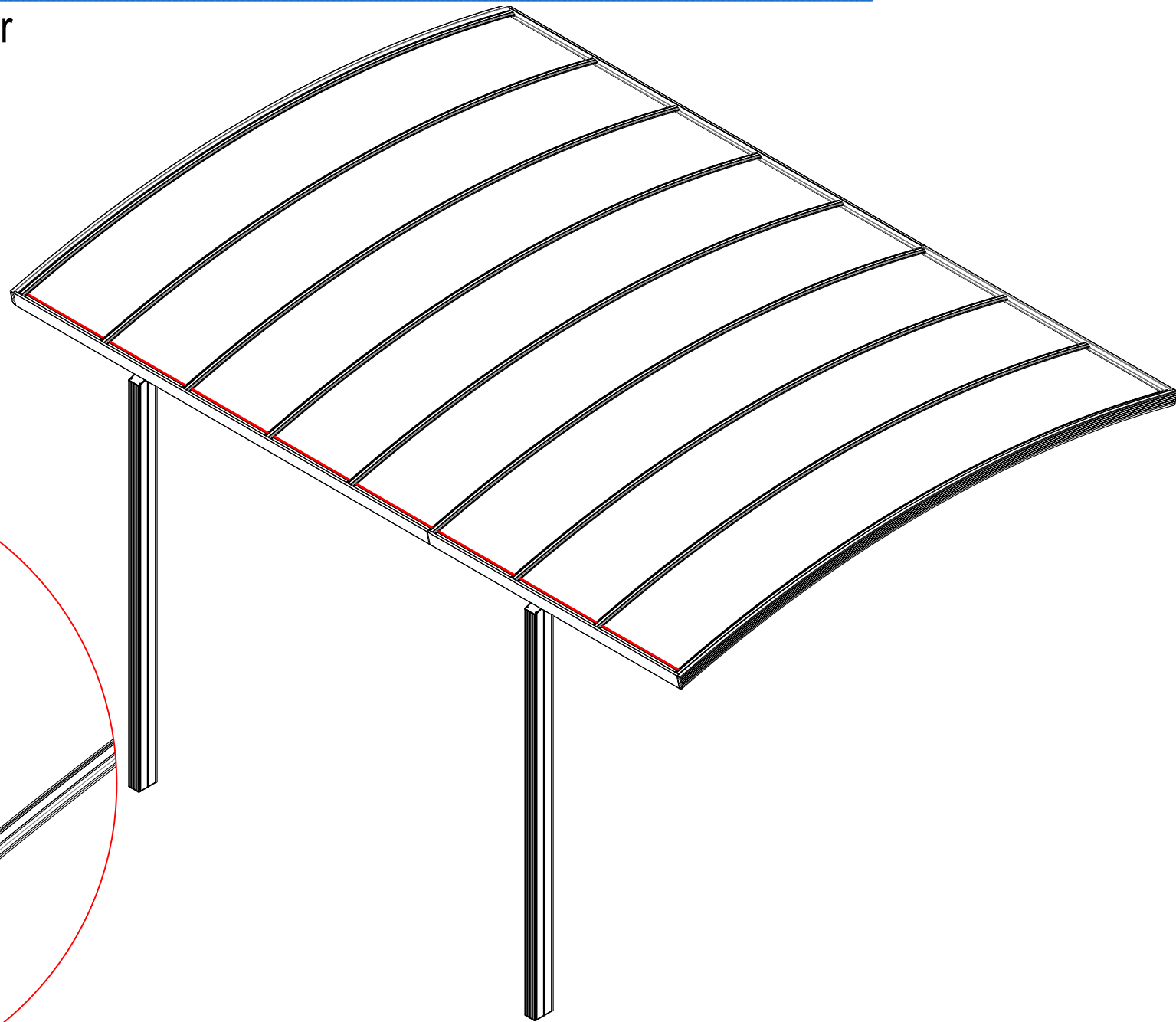
According to the previous method, install the solid pc board in sequence, and then install the cover linear

21

[8]		7
[7]		7
[16]	 M4. 2*25	35
[18]	PC sheet	7



# STEP14: Install cover linear

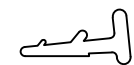


[36]

The use of glue is for better waterproofing

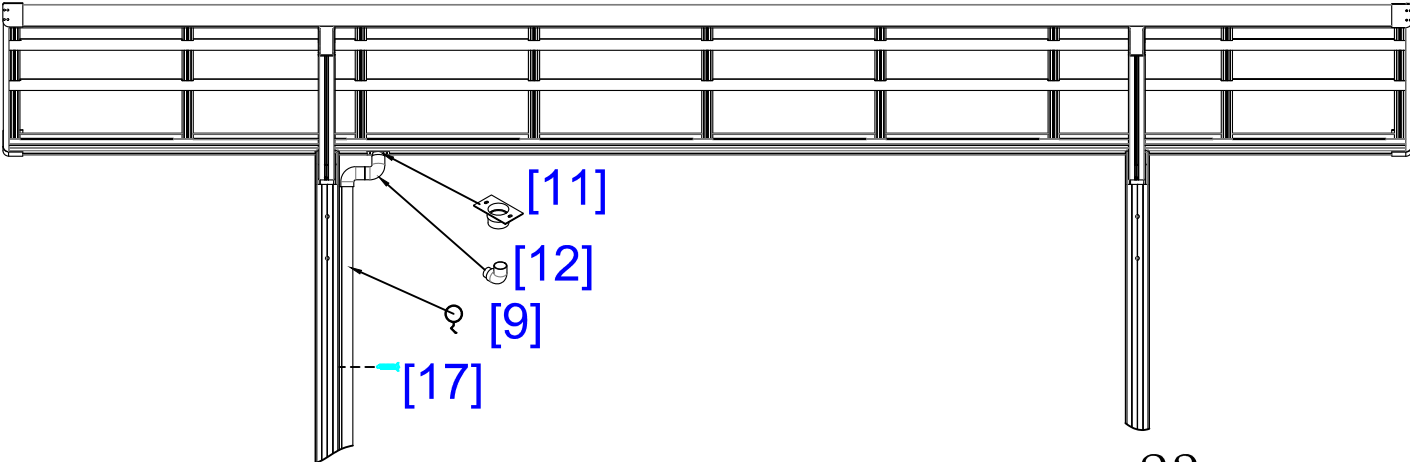
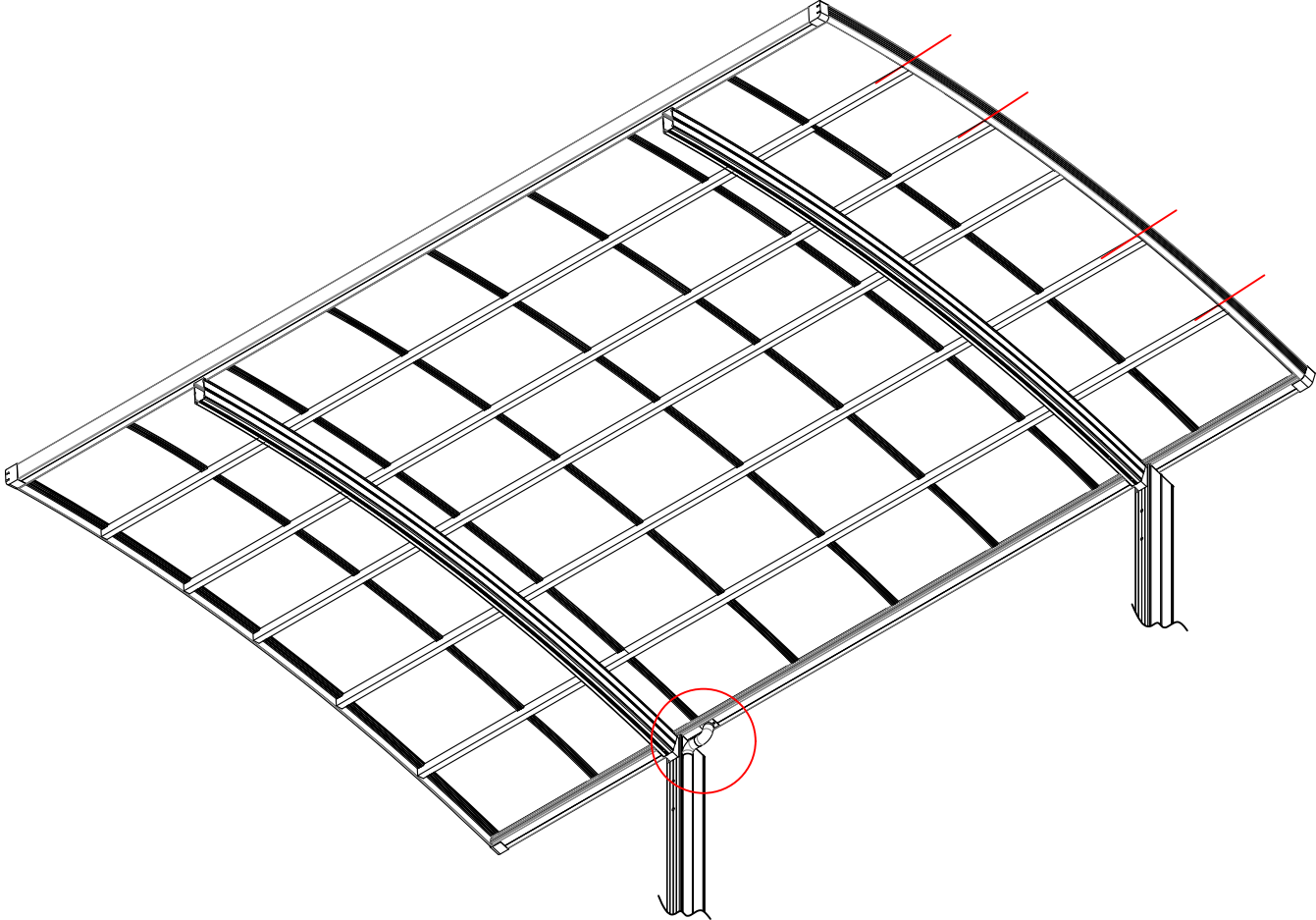
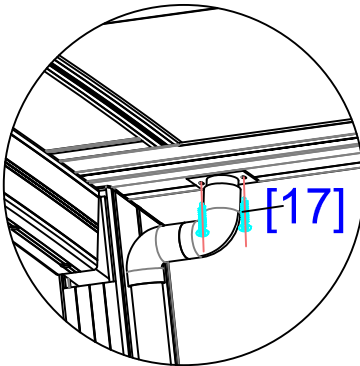
22

[36]







6M

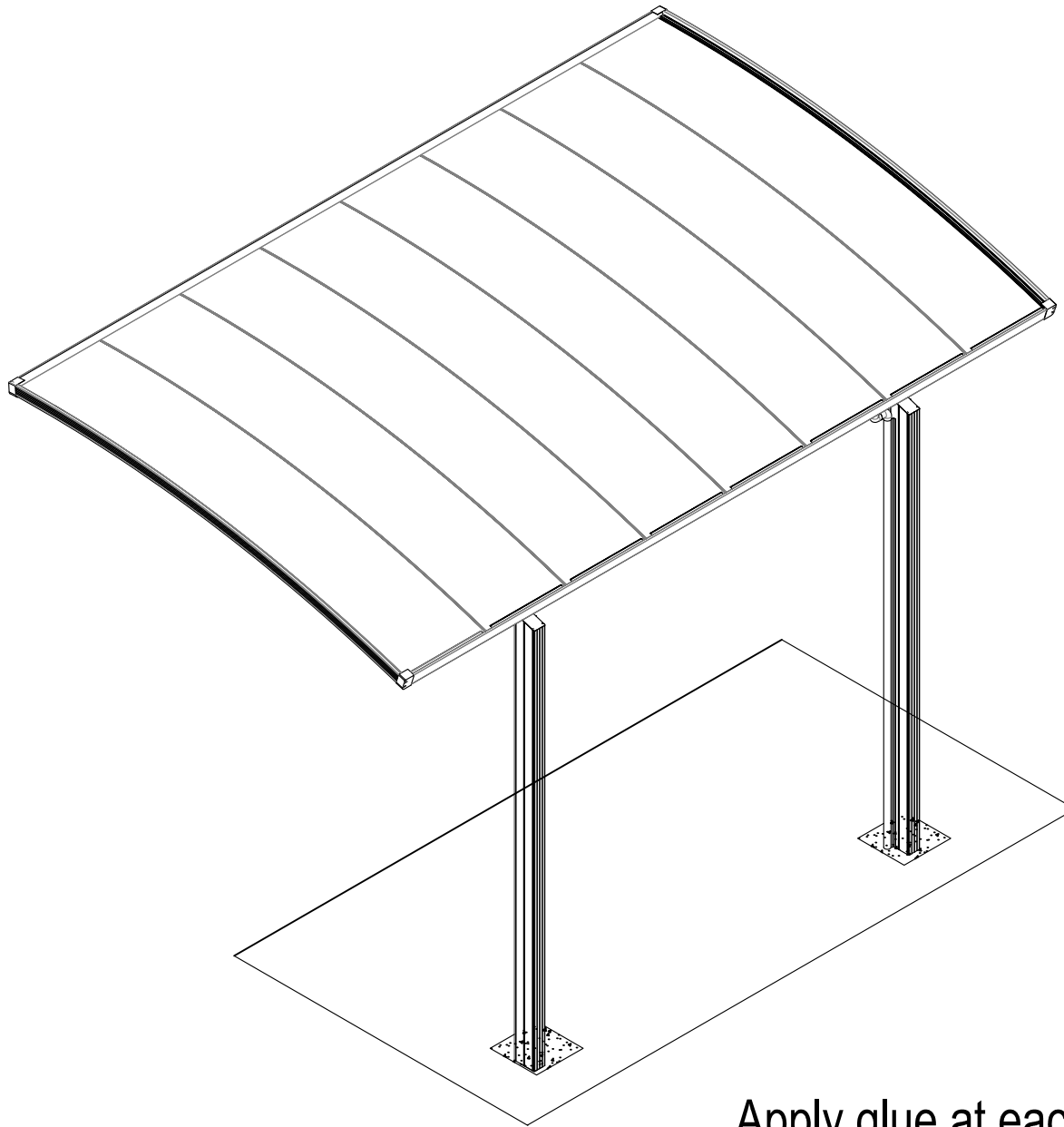
# STEP15: Install downspipe



23

[17]	 M4. 2*15	5
[11]		1
[12]		2
[9]		1





Apply glue at each connection to prevent water leakage.