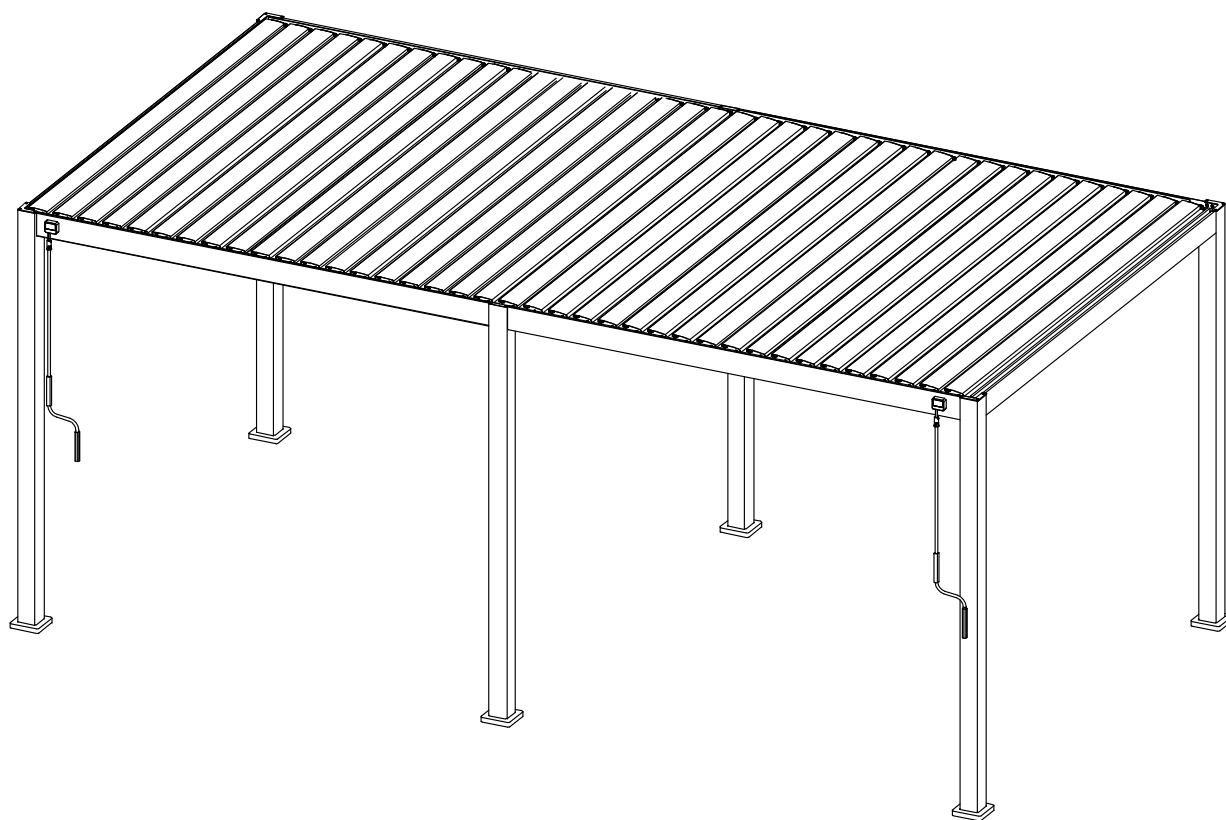


Lúxi

ALUMINIUM PER GOLA

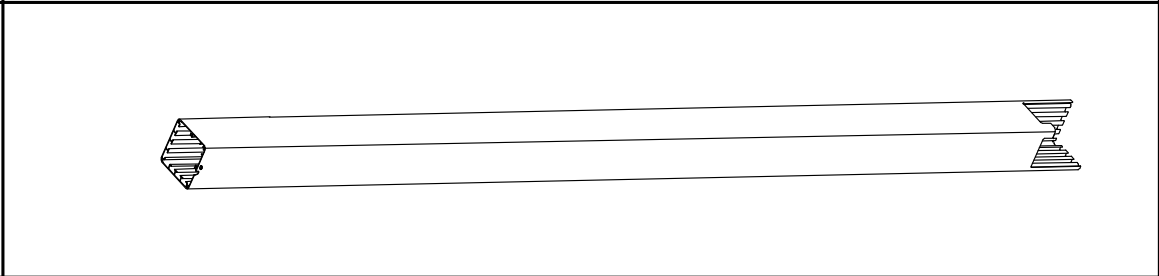
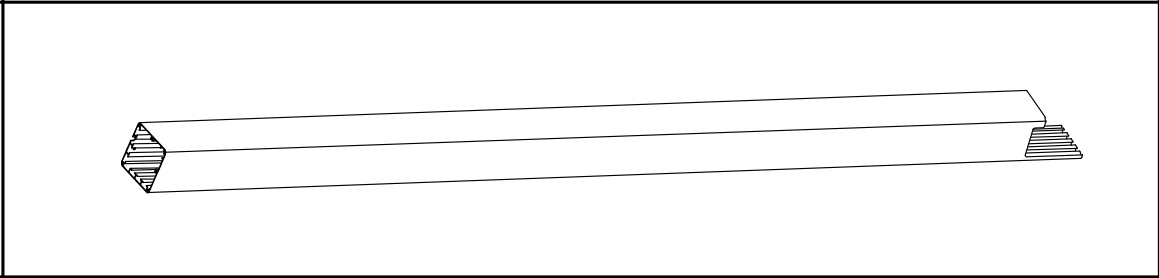
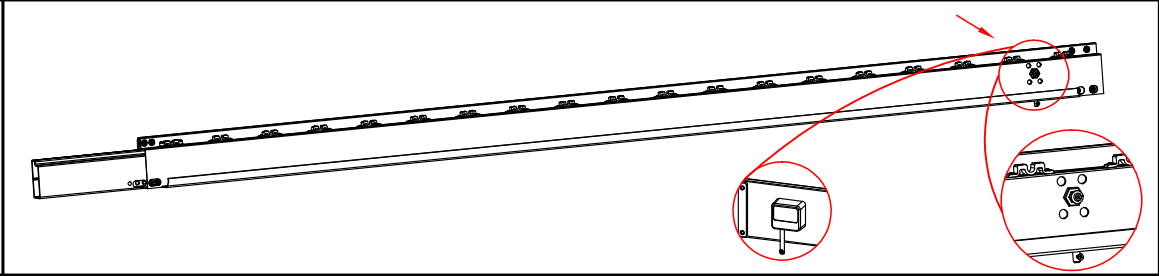
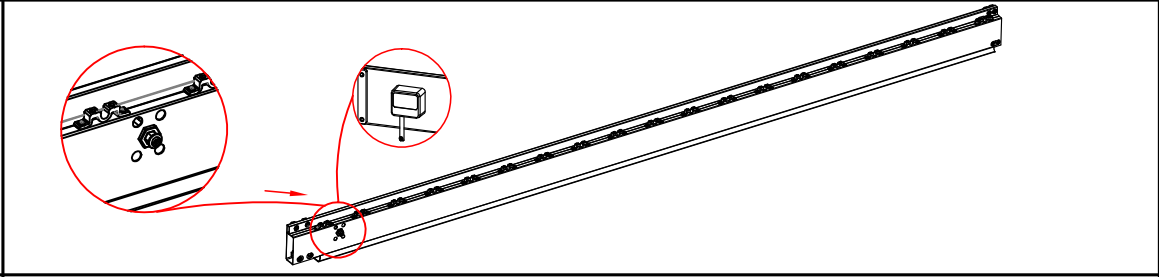
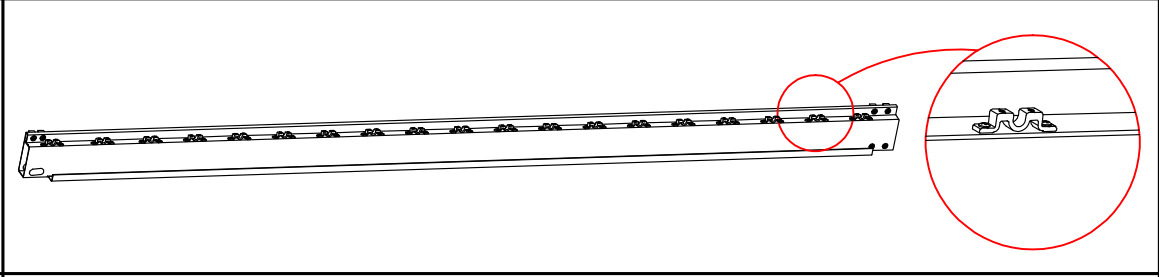
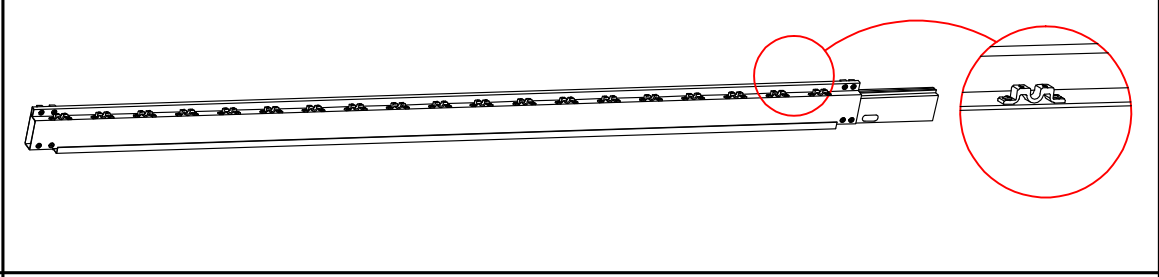
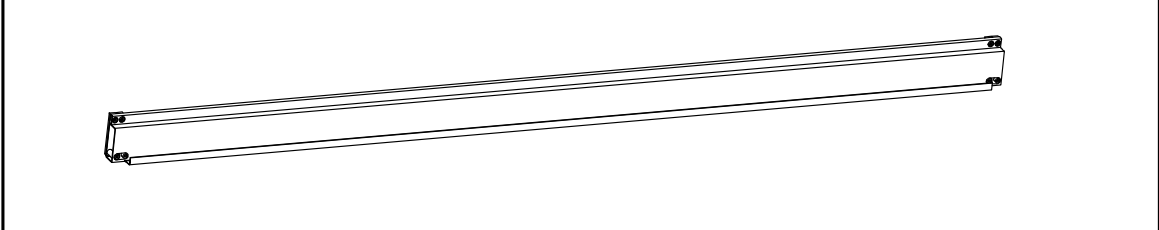
3x6m

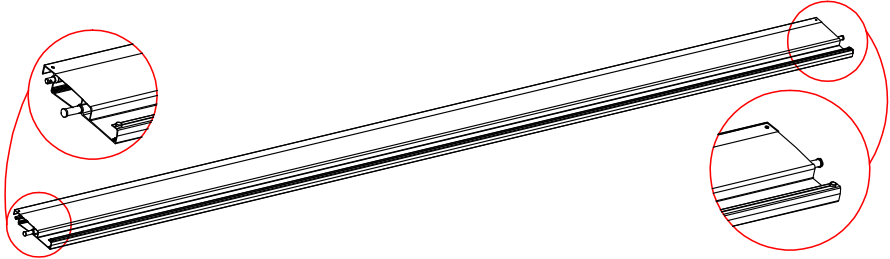
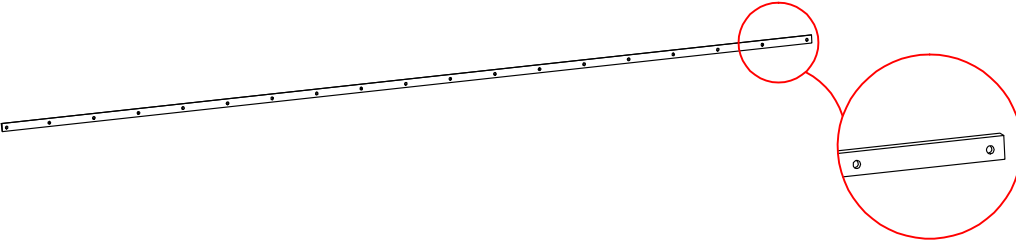

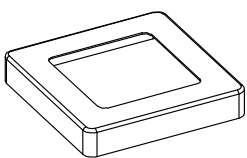
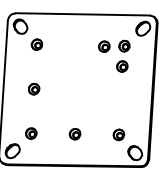
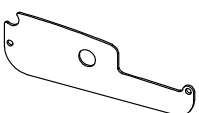
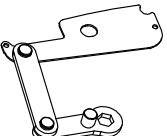
User Manual

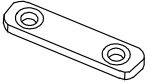


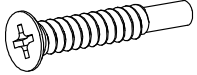
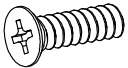


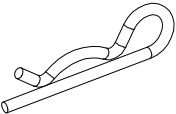


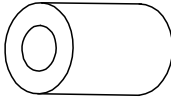
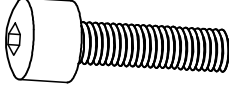
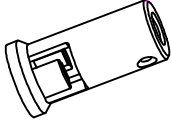
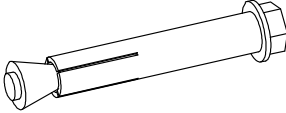

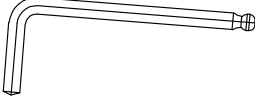
Reminder: "Ensure louvres are lined up and mounted perfectly square and perpendicular otherwise top fin alignment will be incorrect."

	REF	QTY	REF	QTY	REF	QTY
Carton 1/5	(A)	4PCS	(A1)	2PCS		
Carton 2/5	(B)	1PC	(B1)	1PC	(B2)	1PC
	(B3)	1PC	(C)	2PCS	(G)	2PCS
	(H)	2PCS	(I)	6PCS	(J)	6PCS
	(K)	77PCS	(L)	2PCS	(M)	79PCS
	(N)	4PCS	(N1)	2PCS	(O)	36PCS
	(P)	158PCS	(Q)	158PCS	(R)	16PCS
	(S)	44PCS			(T1)	4PCS
			(U1)	4PCS	(V)	2PCS
	(W)	24PCS	(X)	1PC	(Y)	2PCS
	User Manual	1SET				
Carton 3/5	(D)	13PCS				
Carton 4/5	(D)	13PCS				
Carton 5/5	(D)	12PCS				

REF	PICTURE	QTY
A		4PCS
A1		2PCS
B		1PC
B1		1PC
B2		1PC
B3		1PC
C		2PCS

REF	PICTURE	QTY
D		38PCS
G		2PCS
H		2PCS
I		6PCS
J		6PCS
K		77PCS
L		2PCS

REF	PICTURE	QTY
M		79PCS
N		4PCS
N1		2PCS
O		36PCS
P	 M5x12mm	158PCS
Q	 4.2x25mm	158PCS
R	 5.5x19mm	16PCS
S		44PCS

REF	PICTURE	QTY
T1		4PCS
U1	 M8x45mm	4PCS
V		2PCS
W		24PCS
X		1PC
Y		2PCS

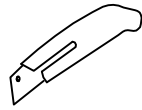
Warning

In snow season or in case of snow forecast open up your shutters in vertical position to avoid any damaging on your pergola.

What you need?



Glove



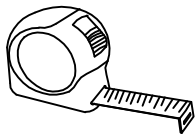
Knife



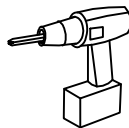
Hammer



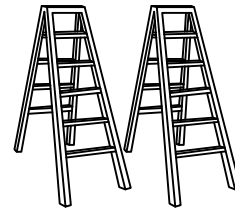
Safety hat



Tapeline

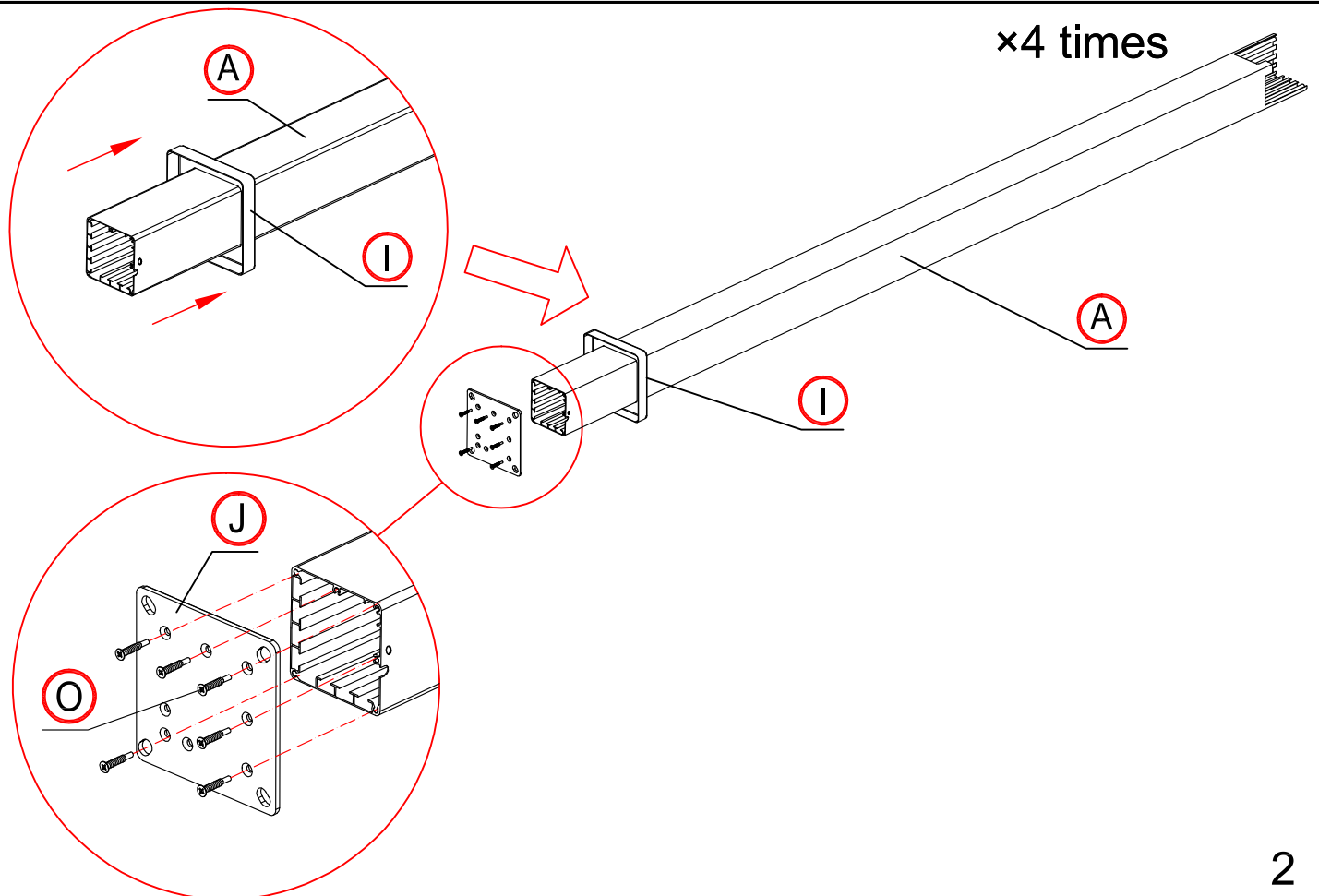


Electric screw driver

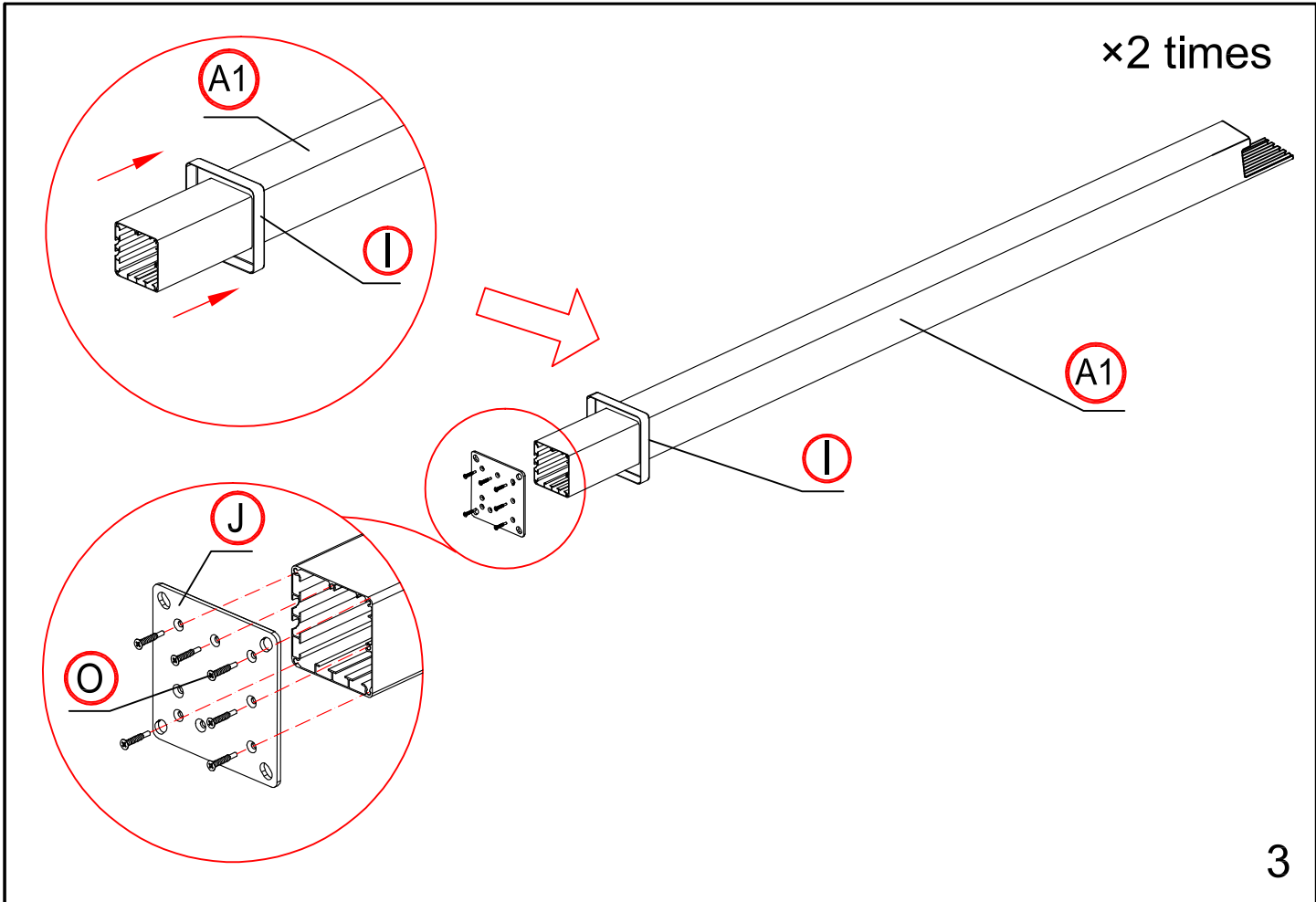


Ladder

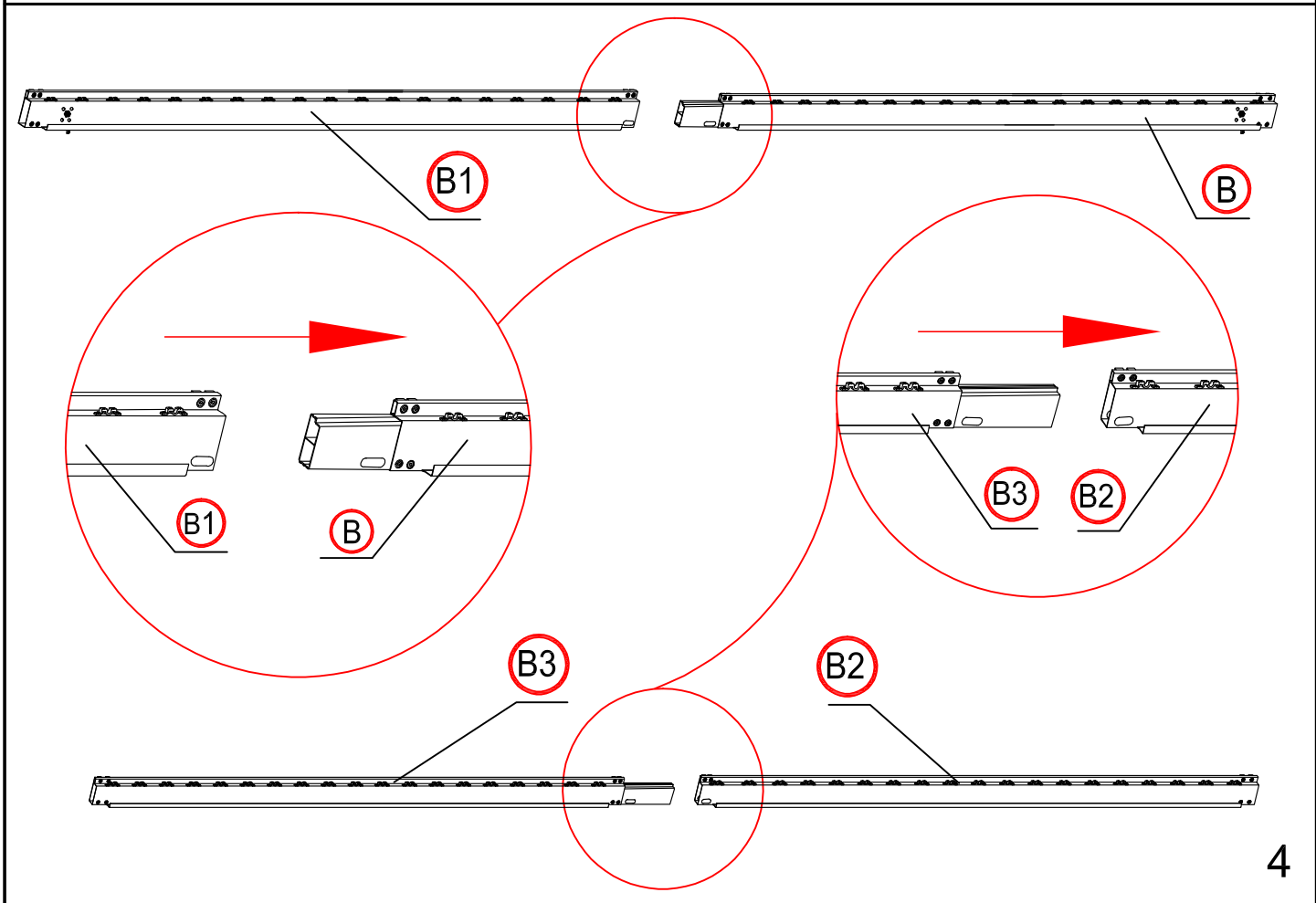
1



2

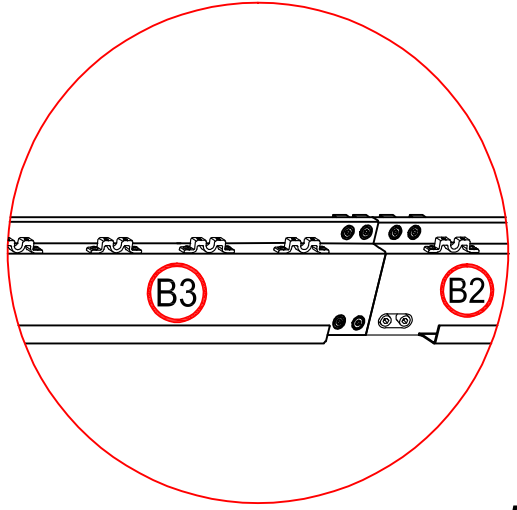
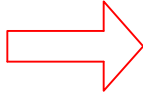
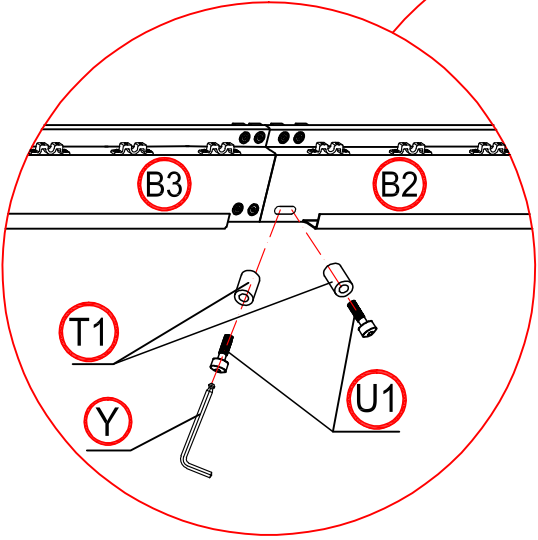
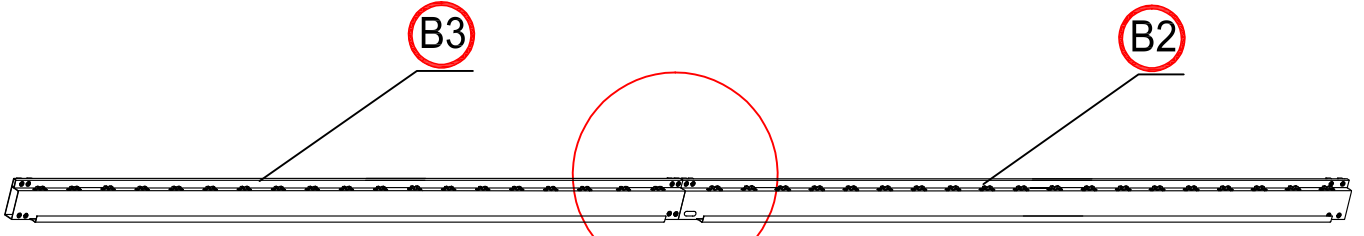
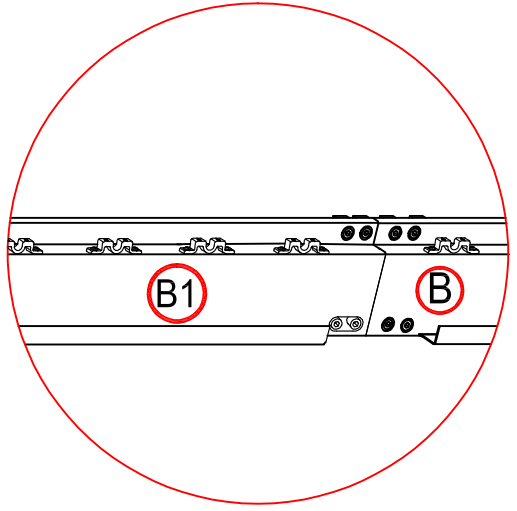
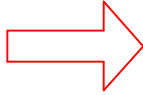
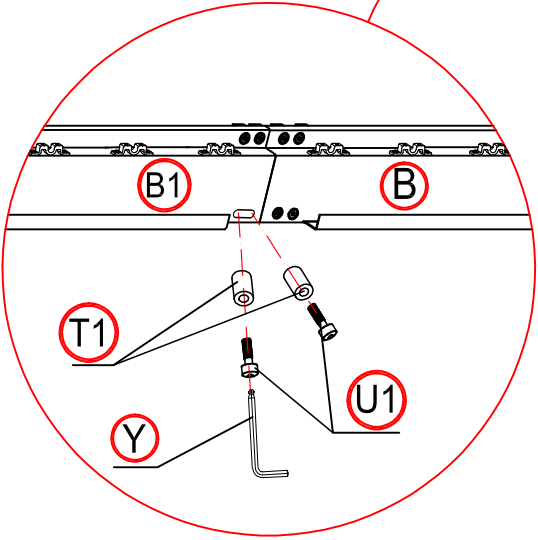
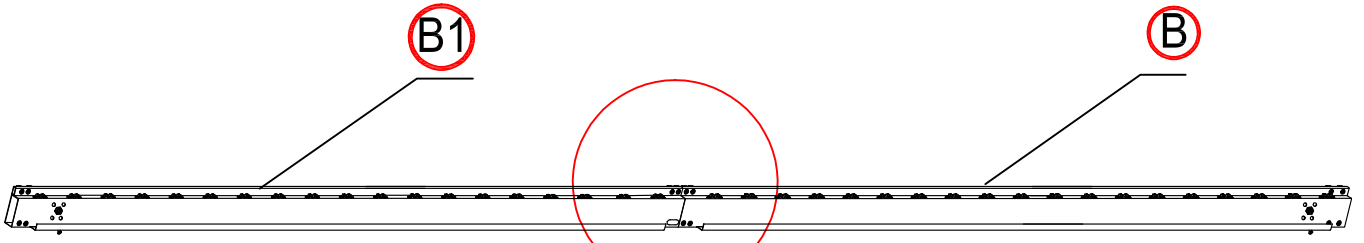


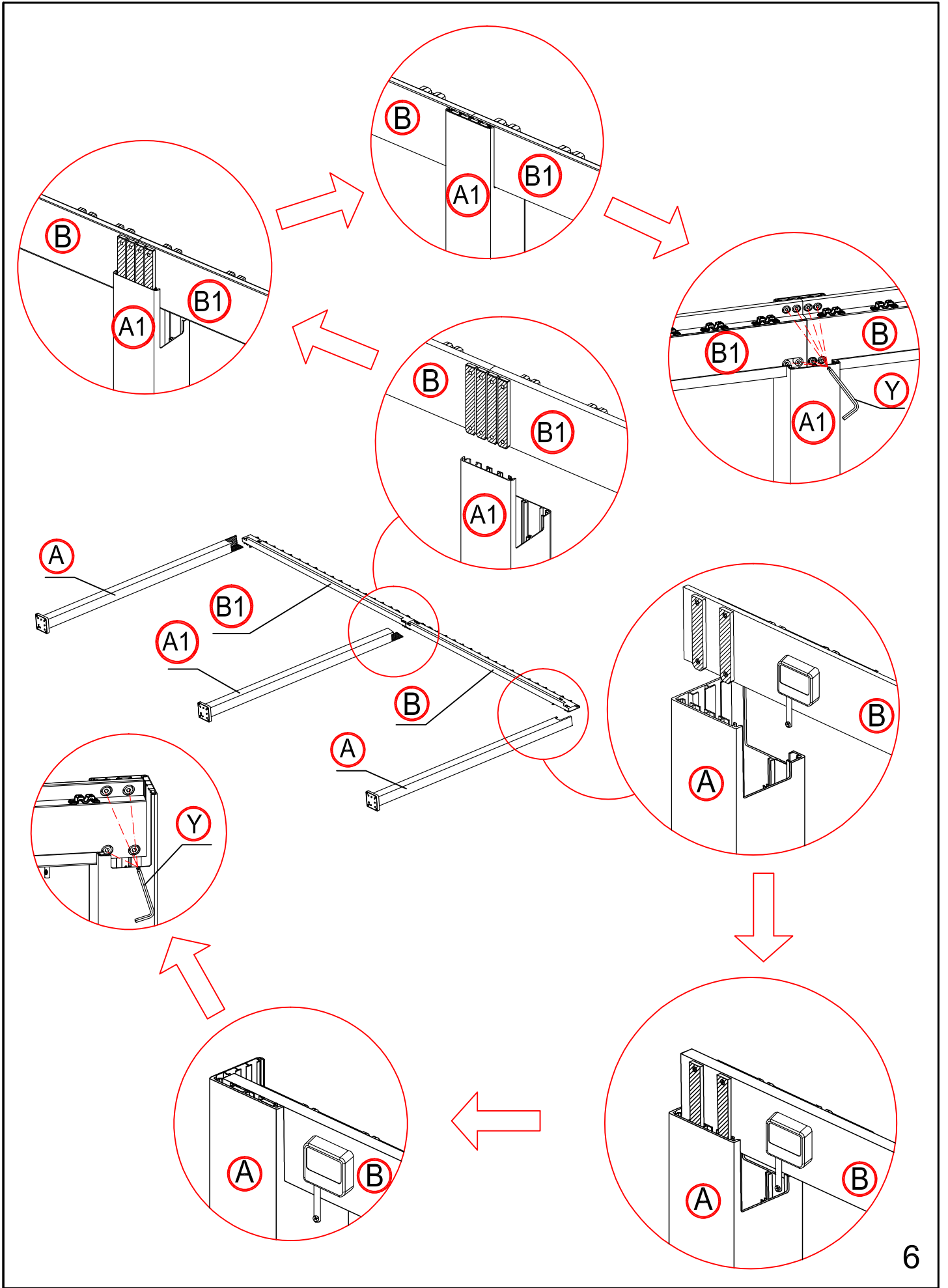
3

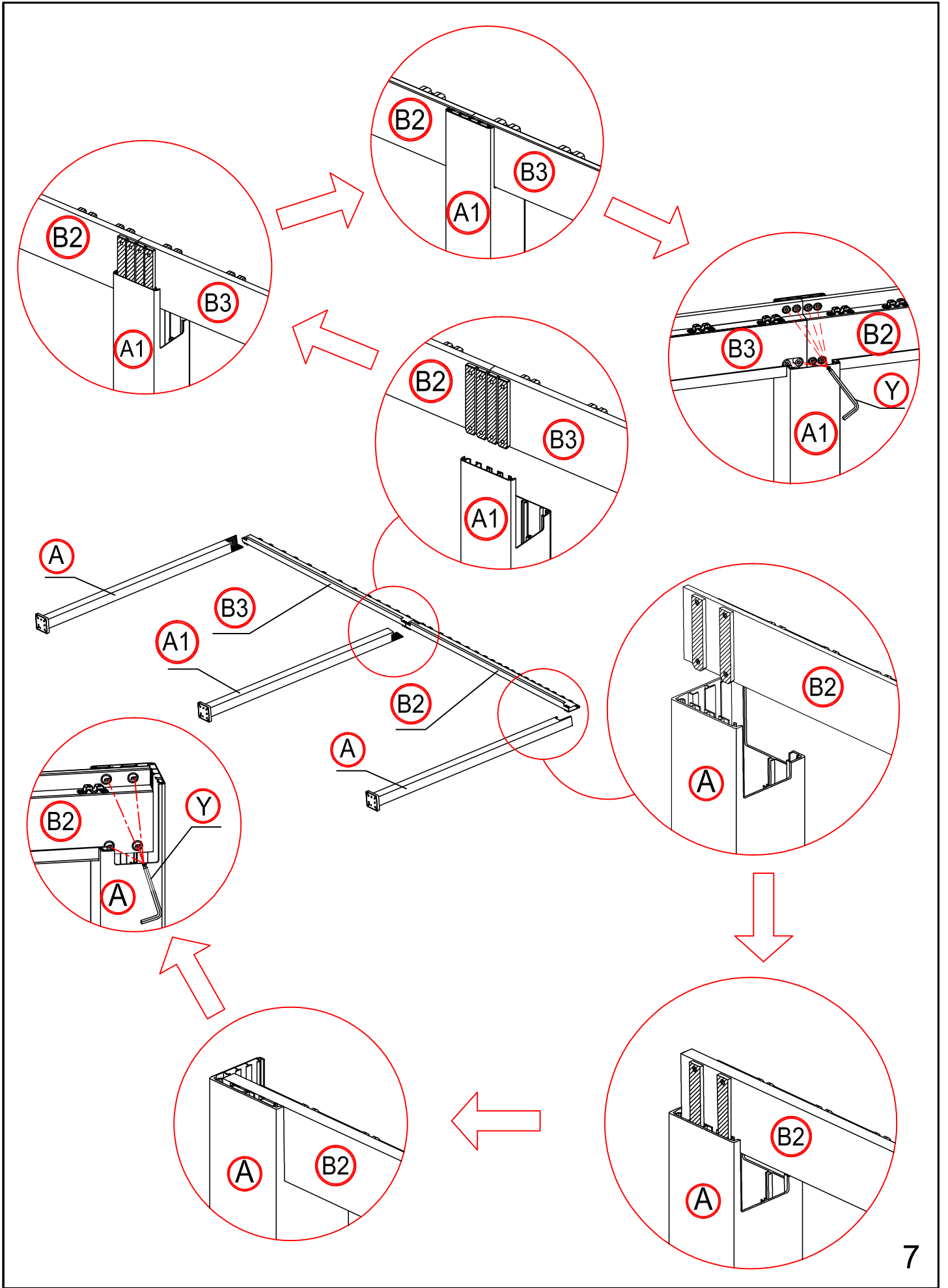


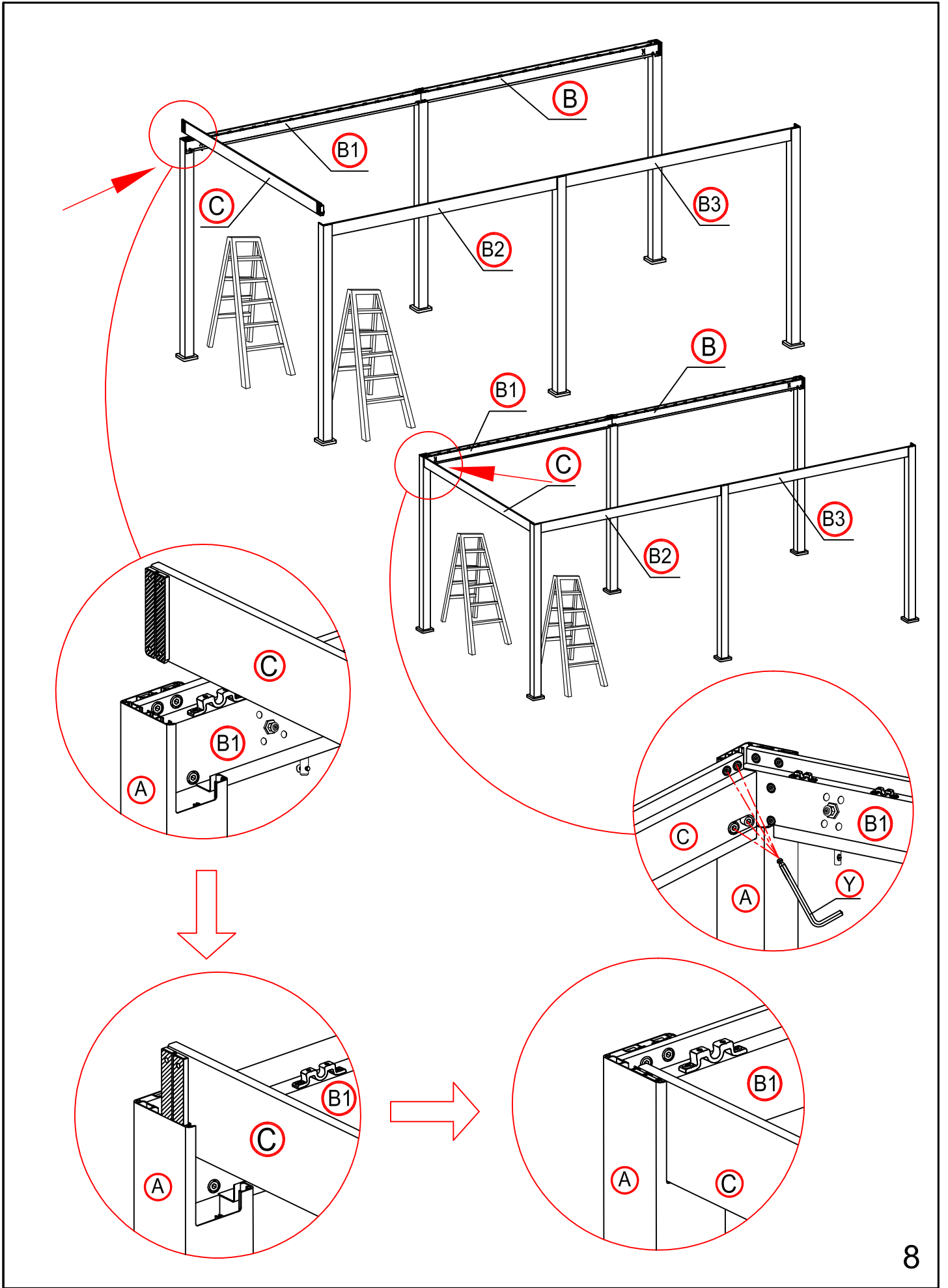
4

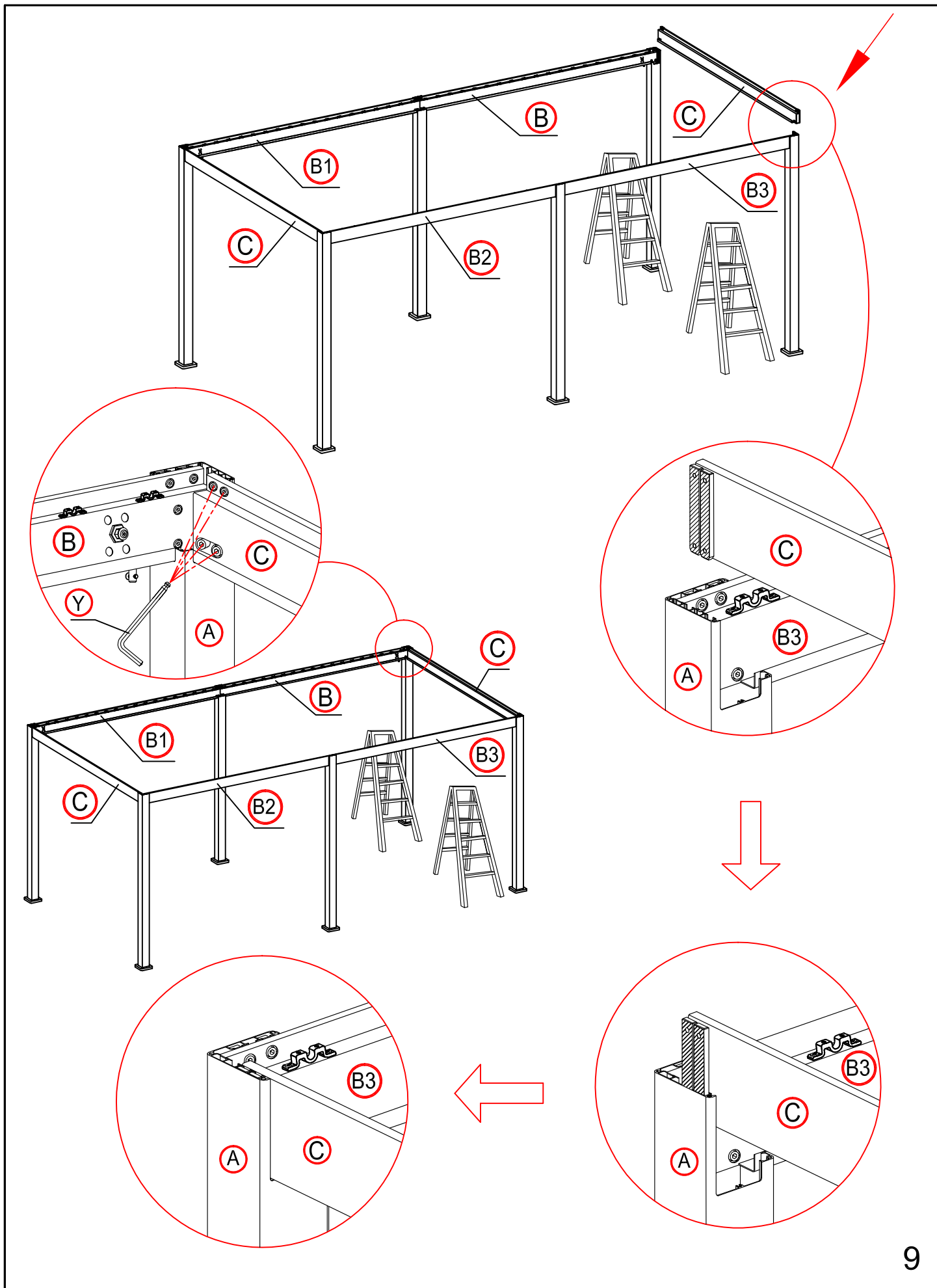
5

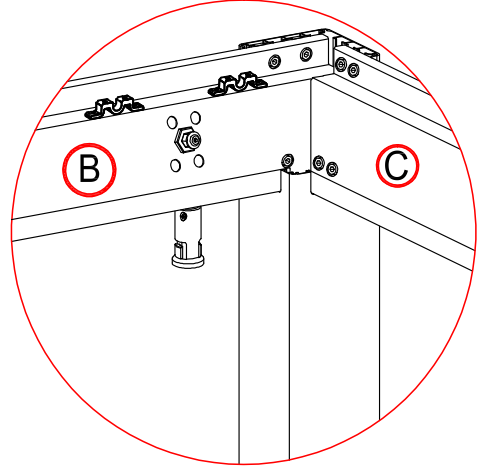
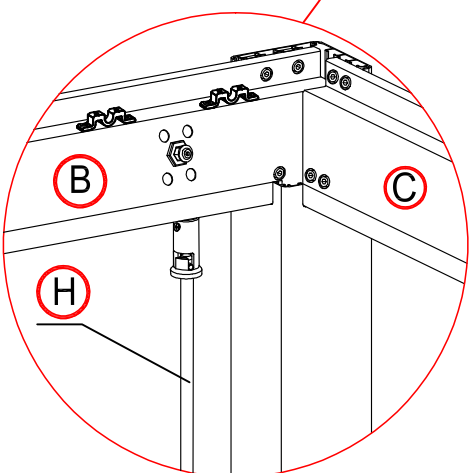
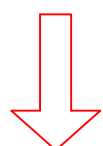
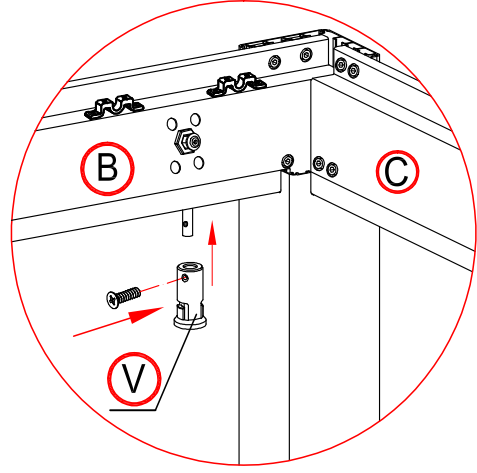
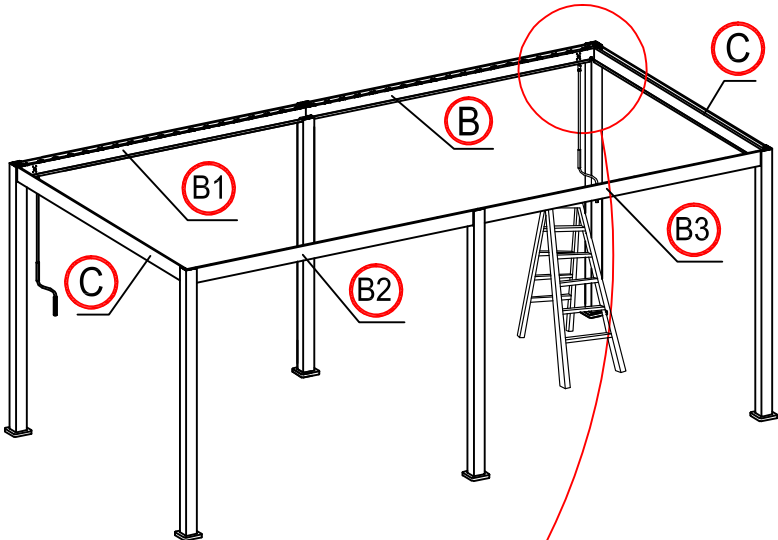
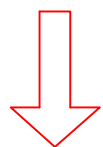
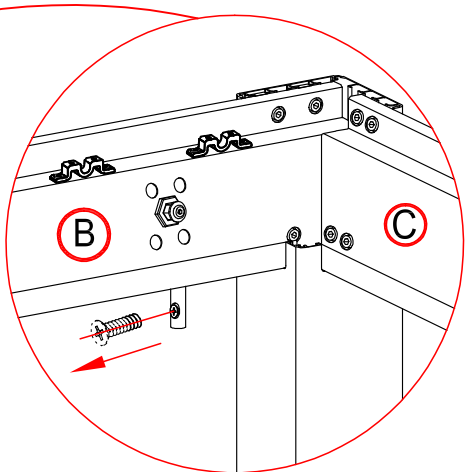
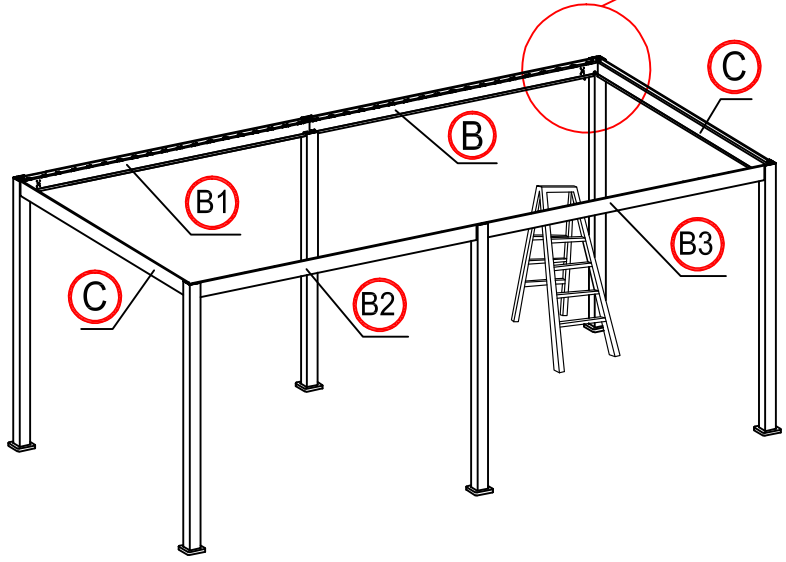




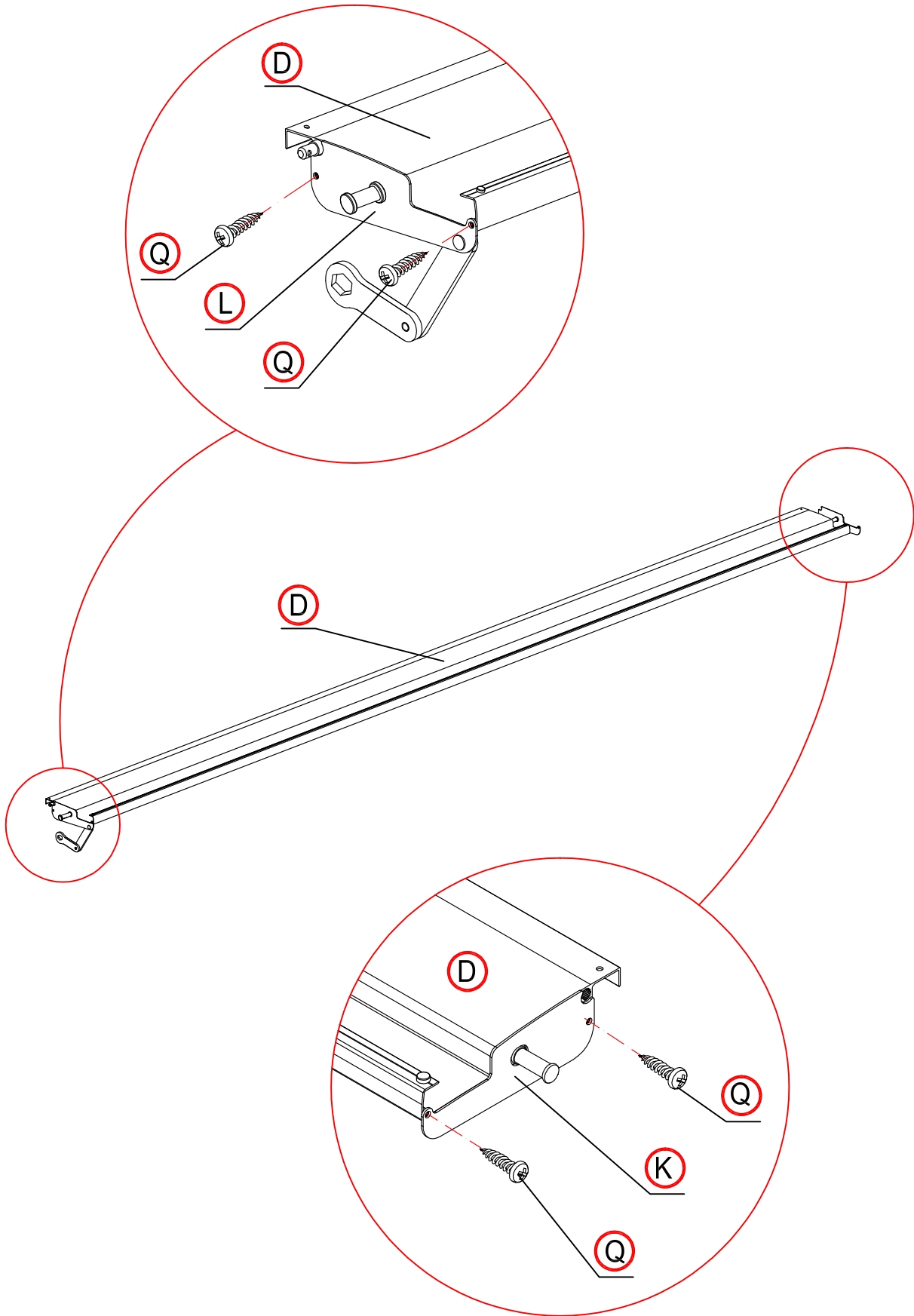




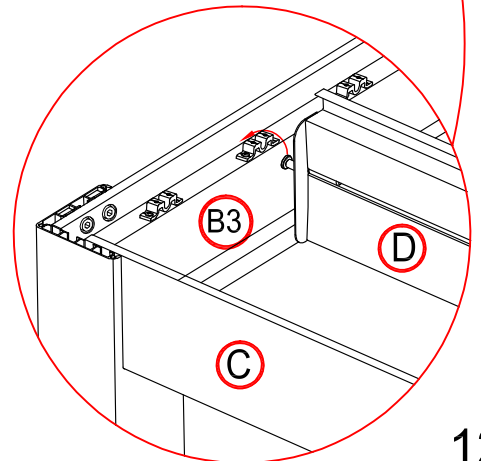
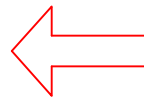
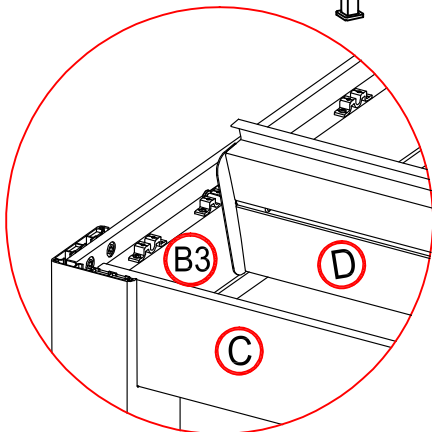
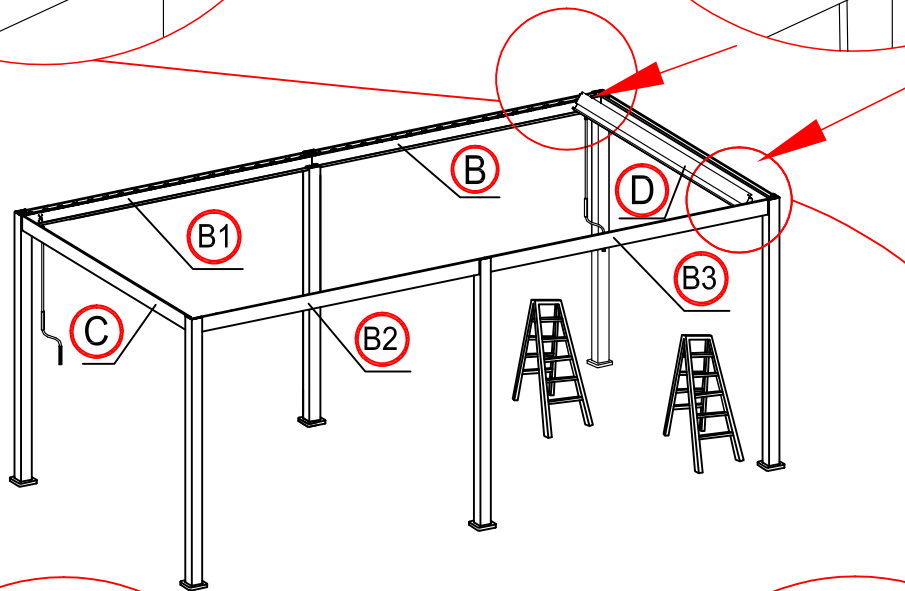
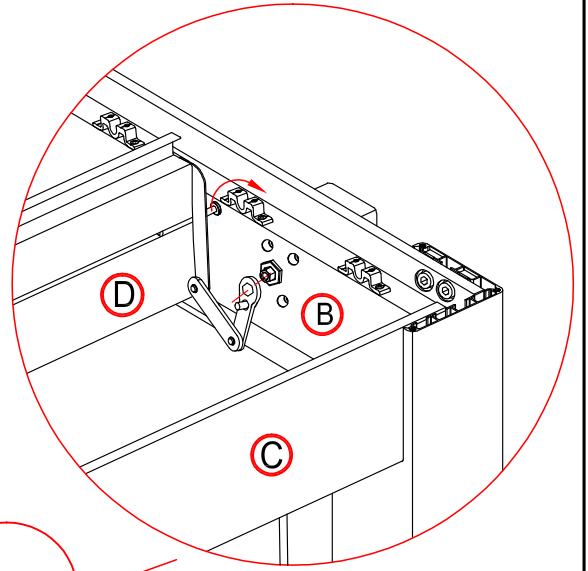
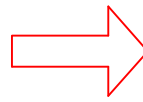
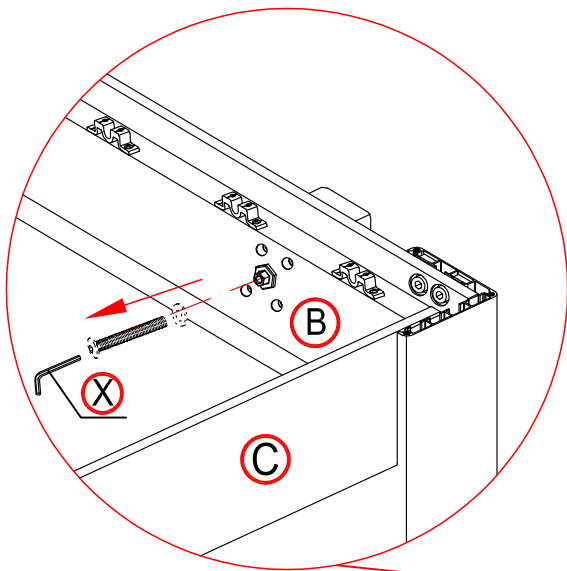


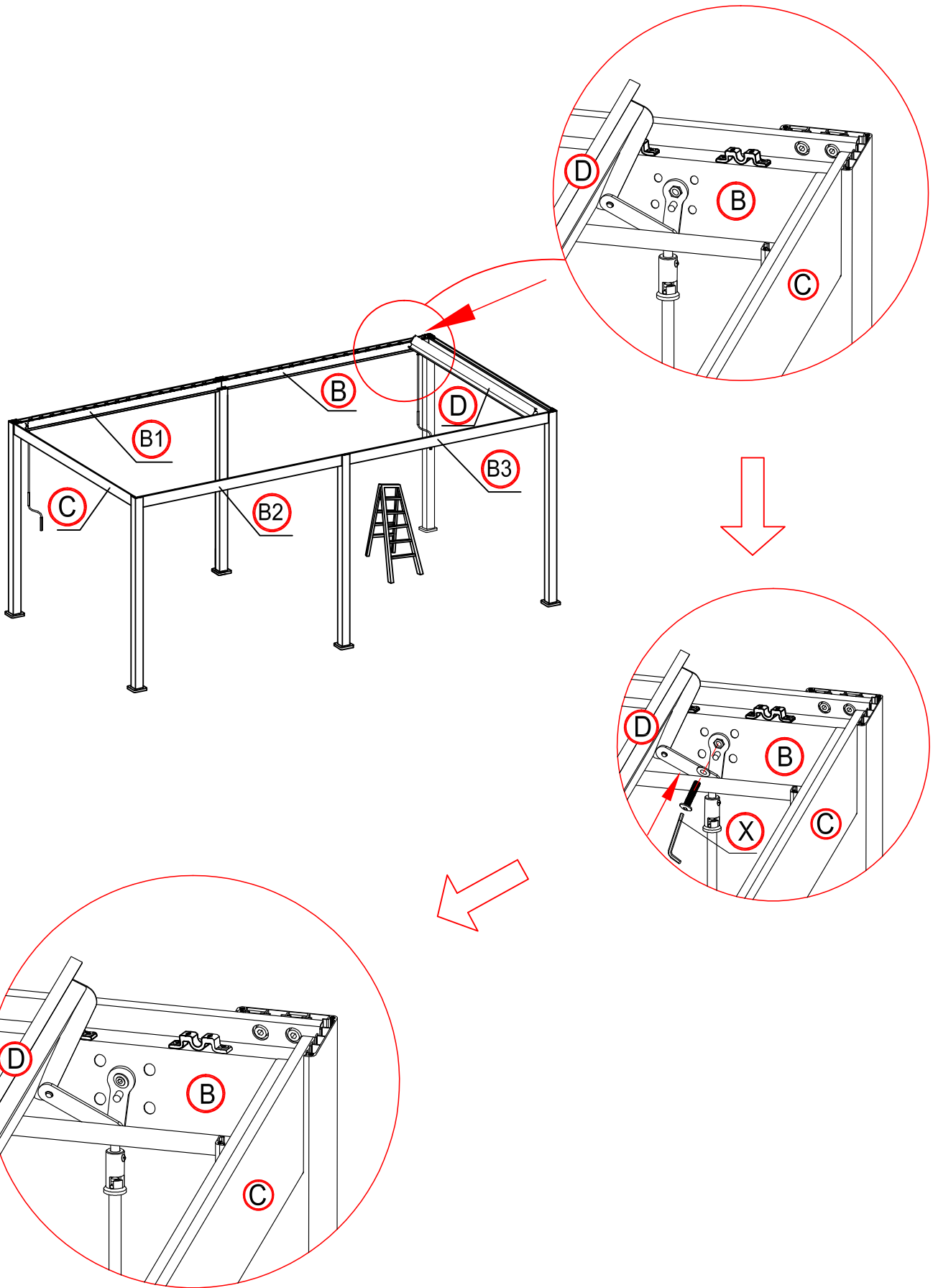


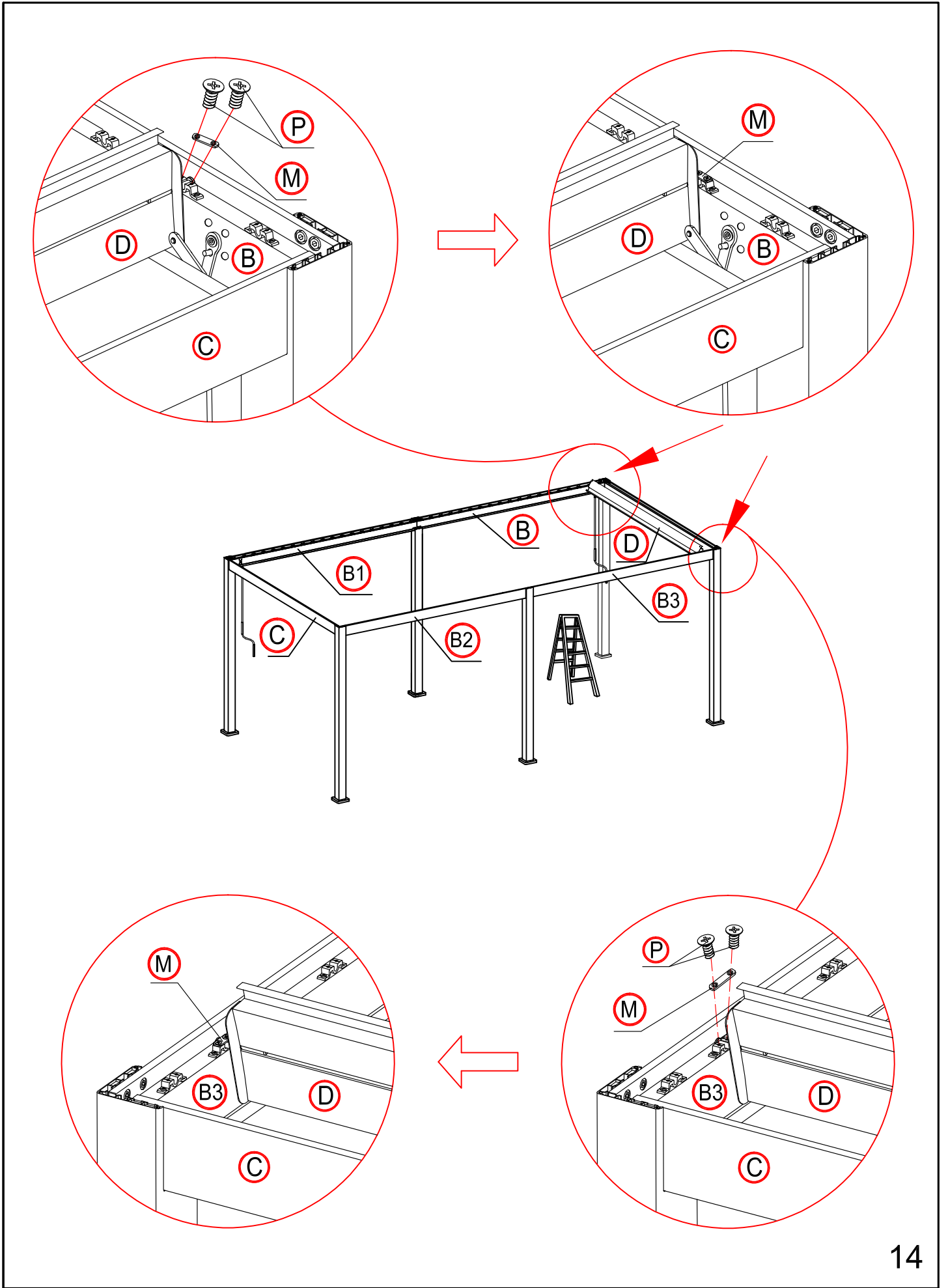
×2 times



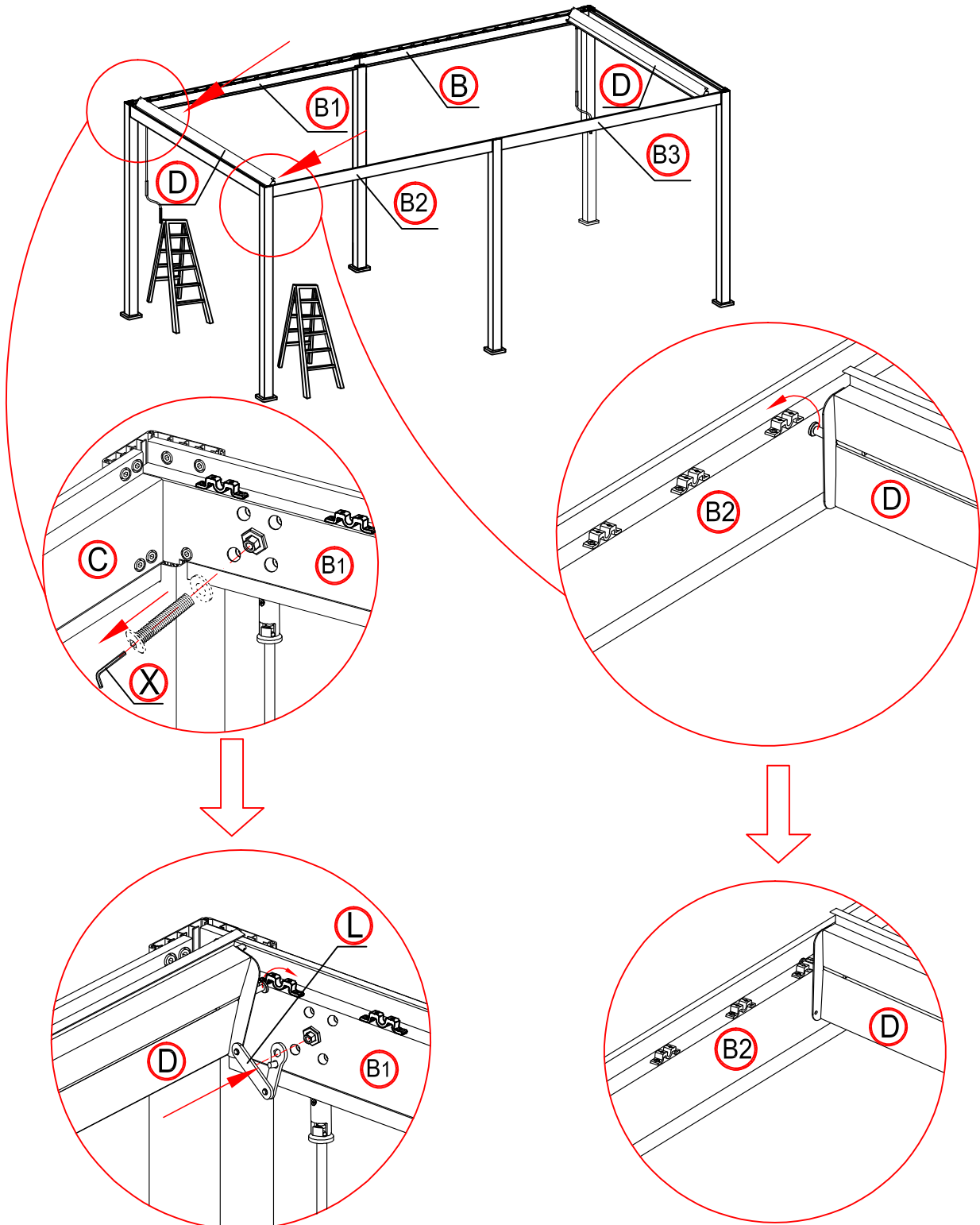
Assemble the second slice to the right.

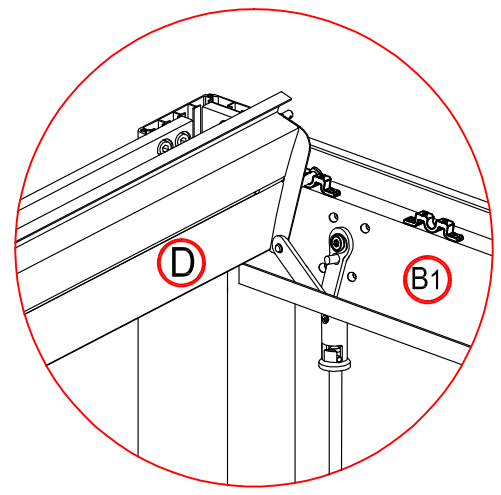
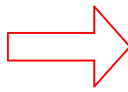
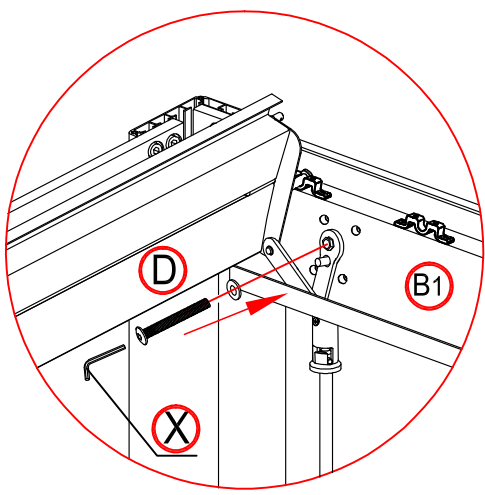
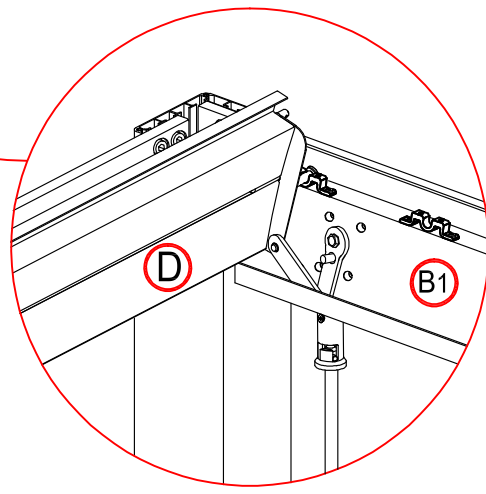
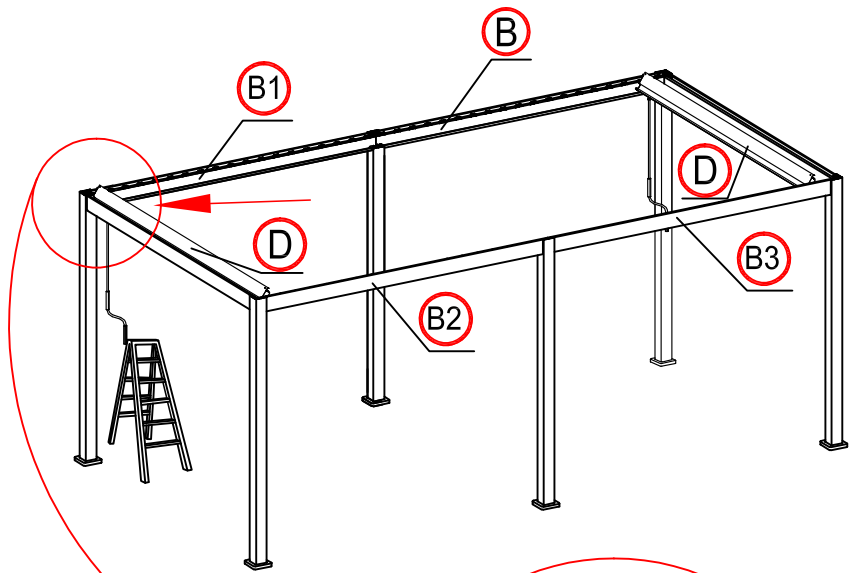


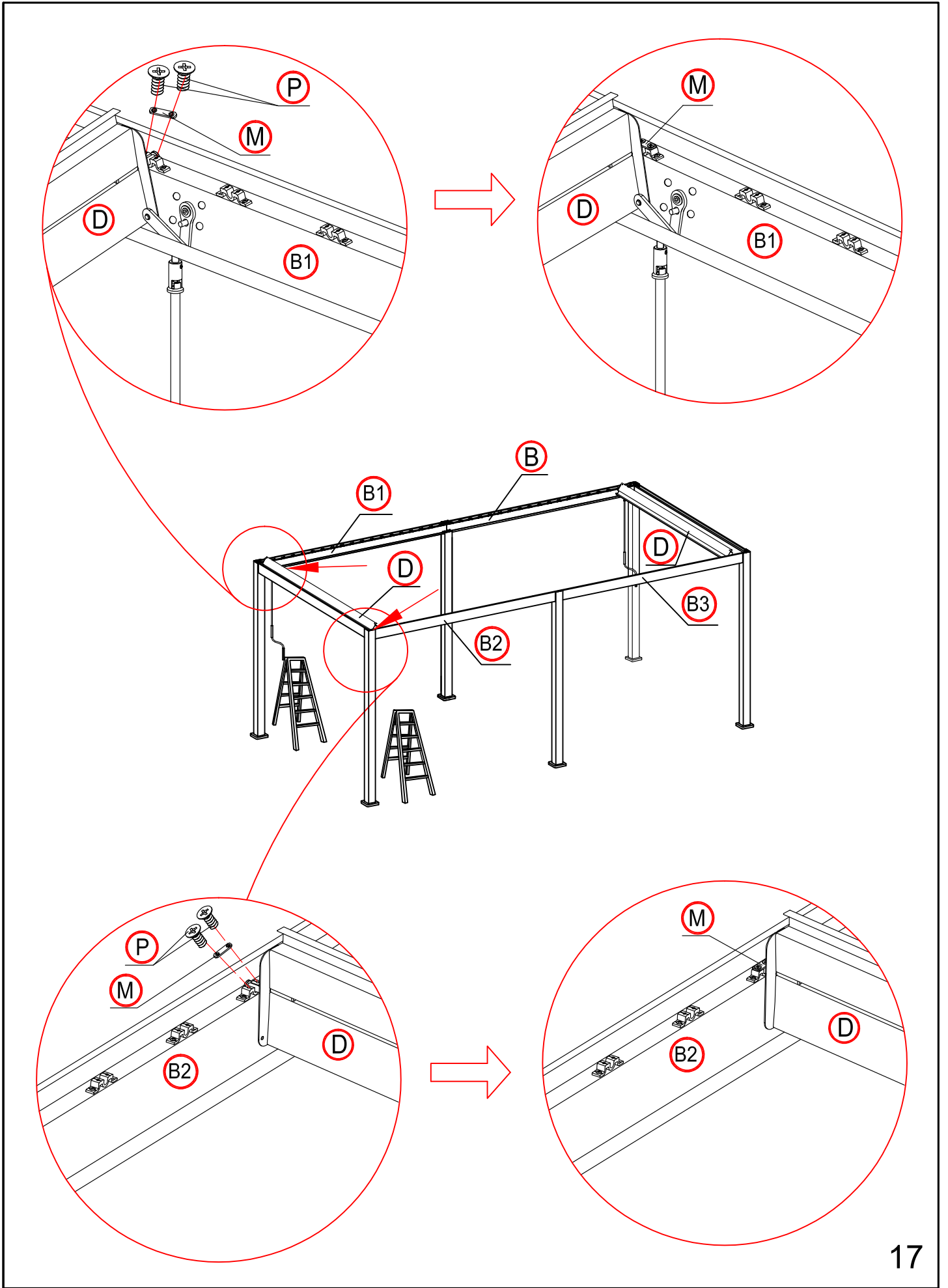




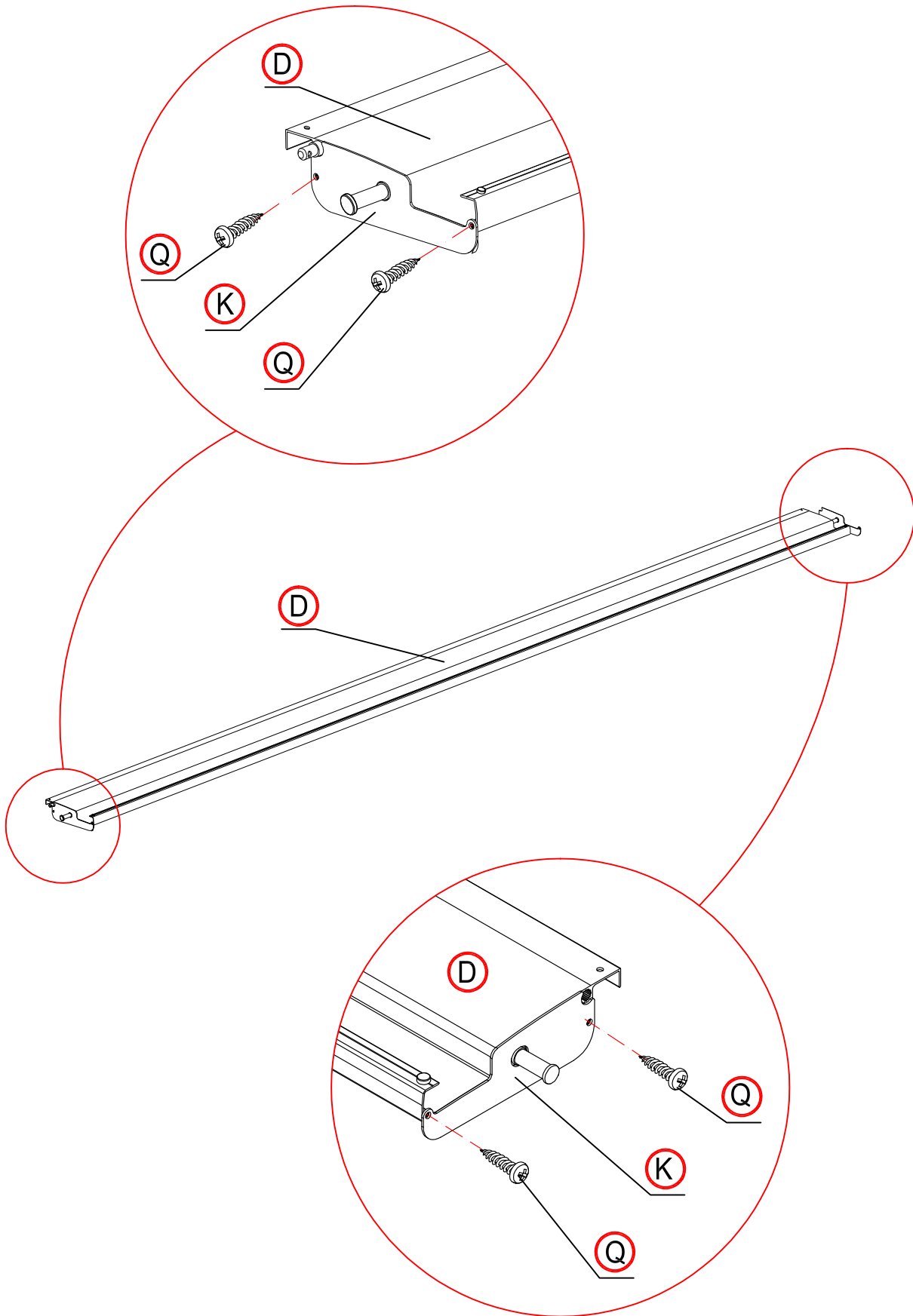
Assemble the first slice to the left.



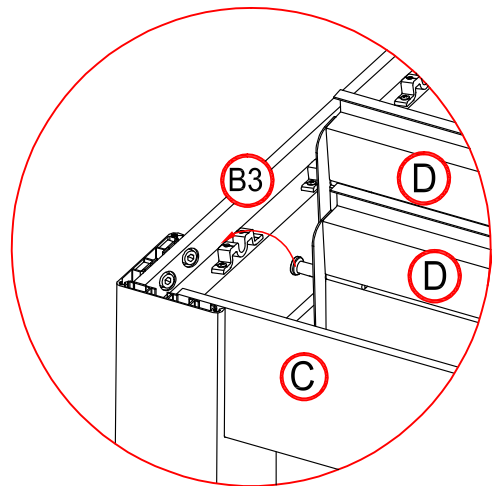
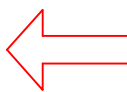
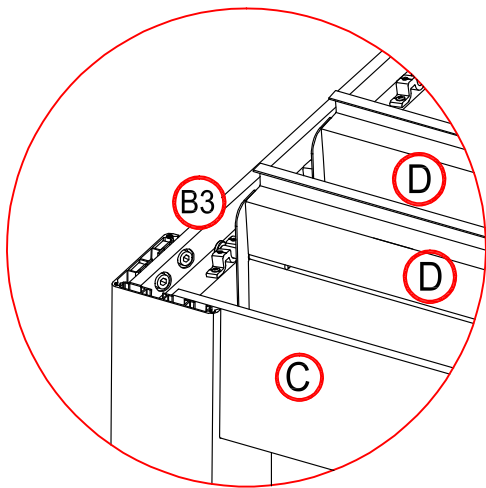
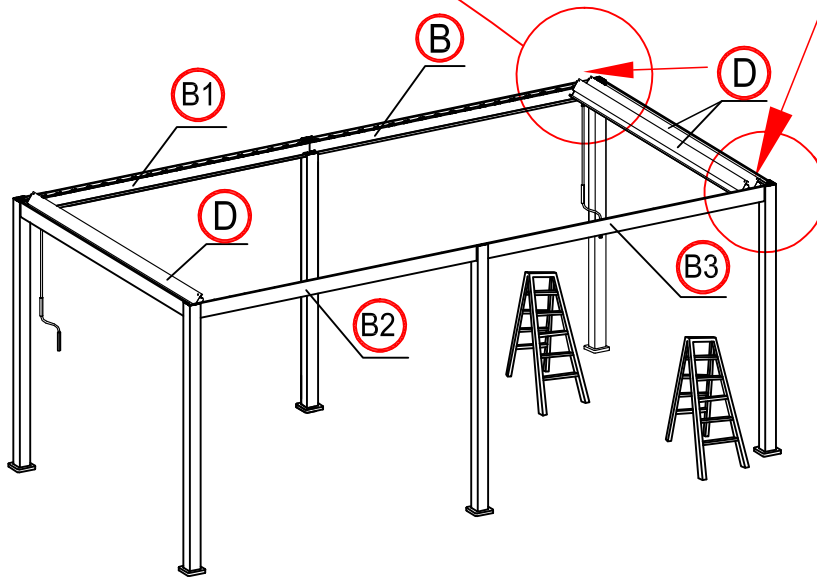
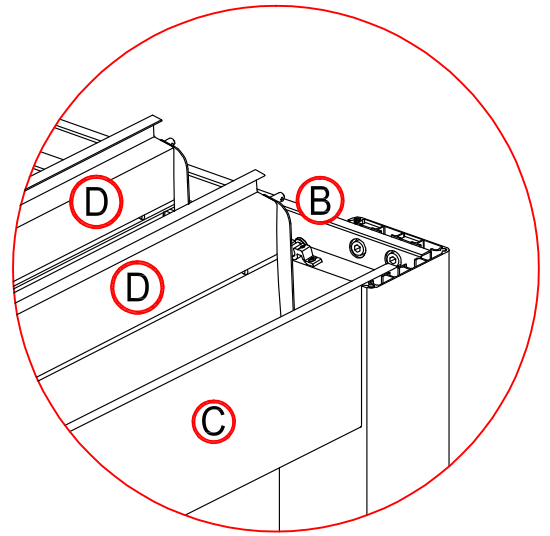
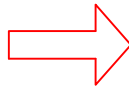
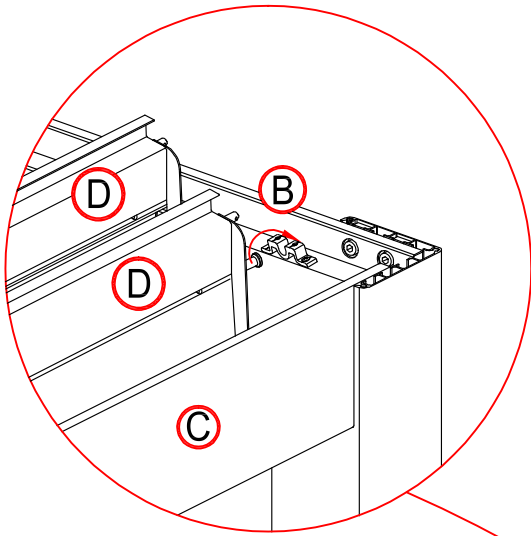


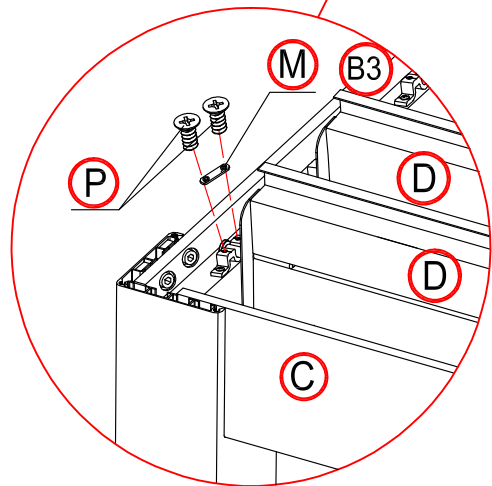
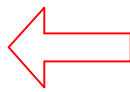
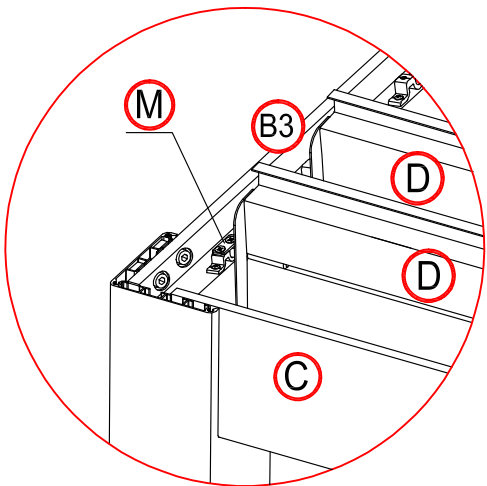
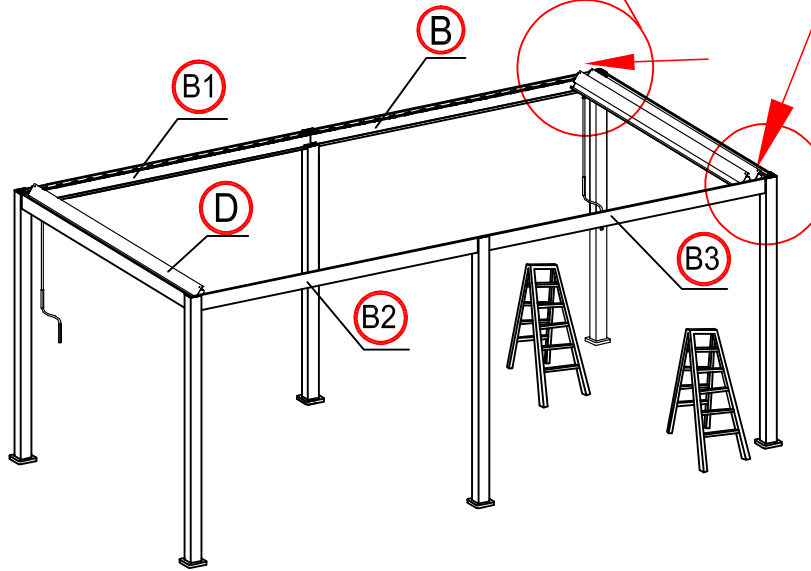
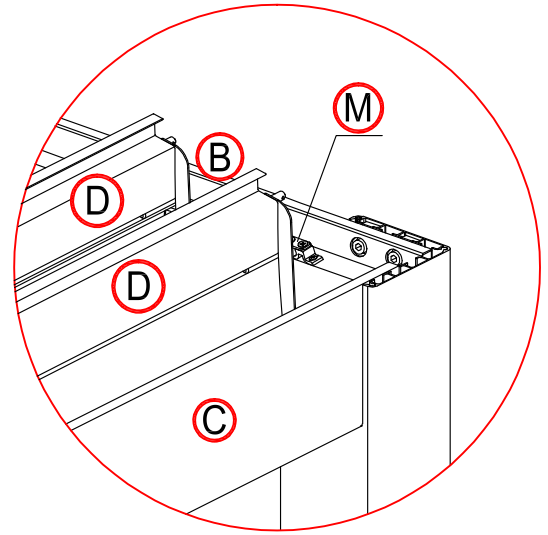
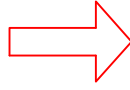
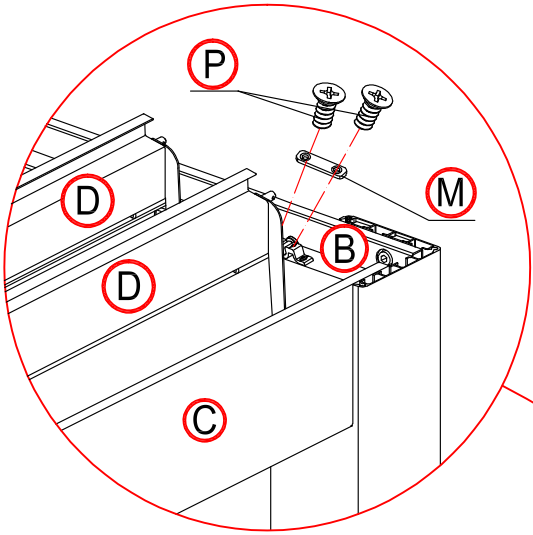


×36 times

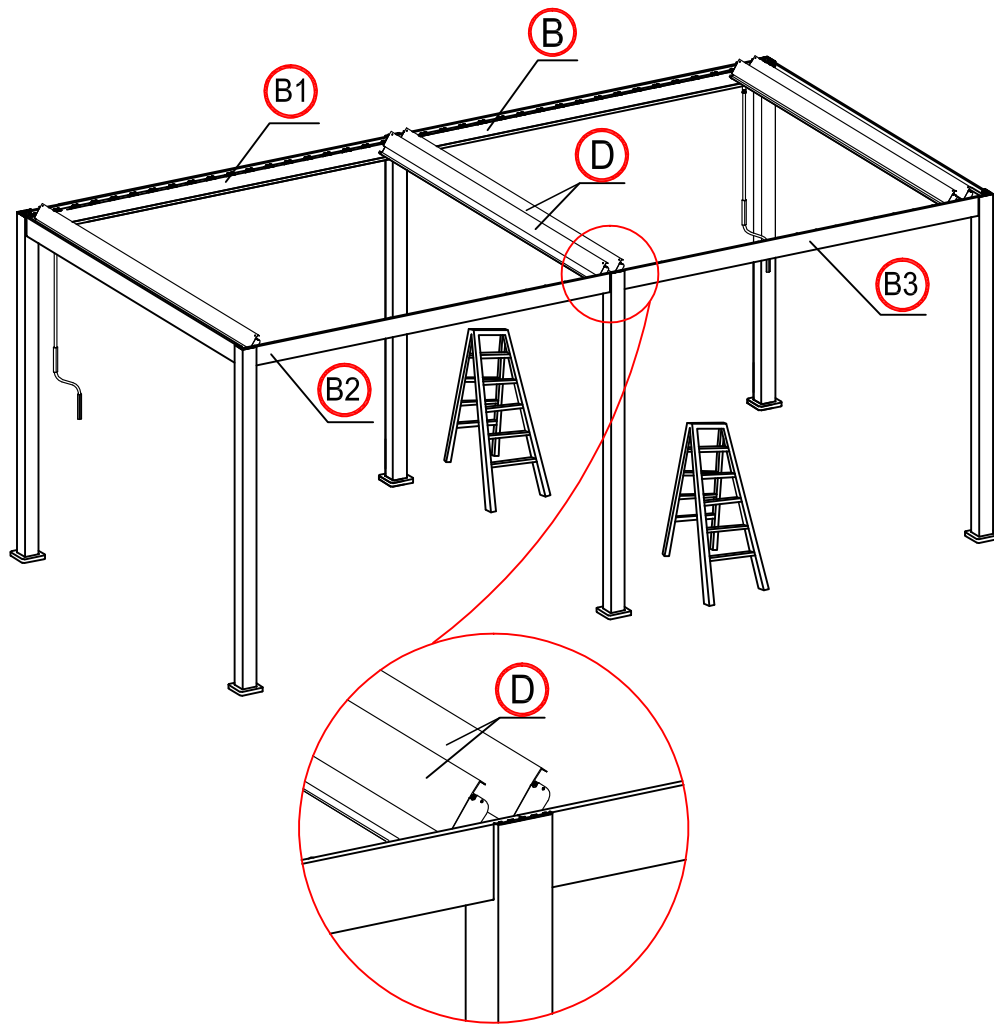


19

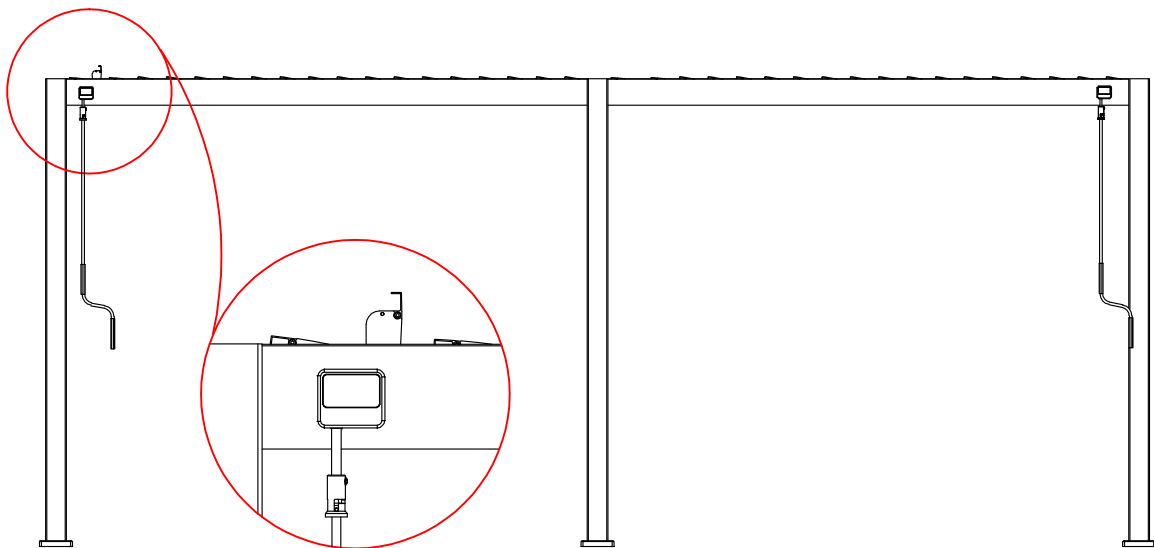


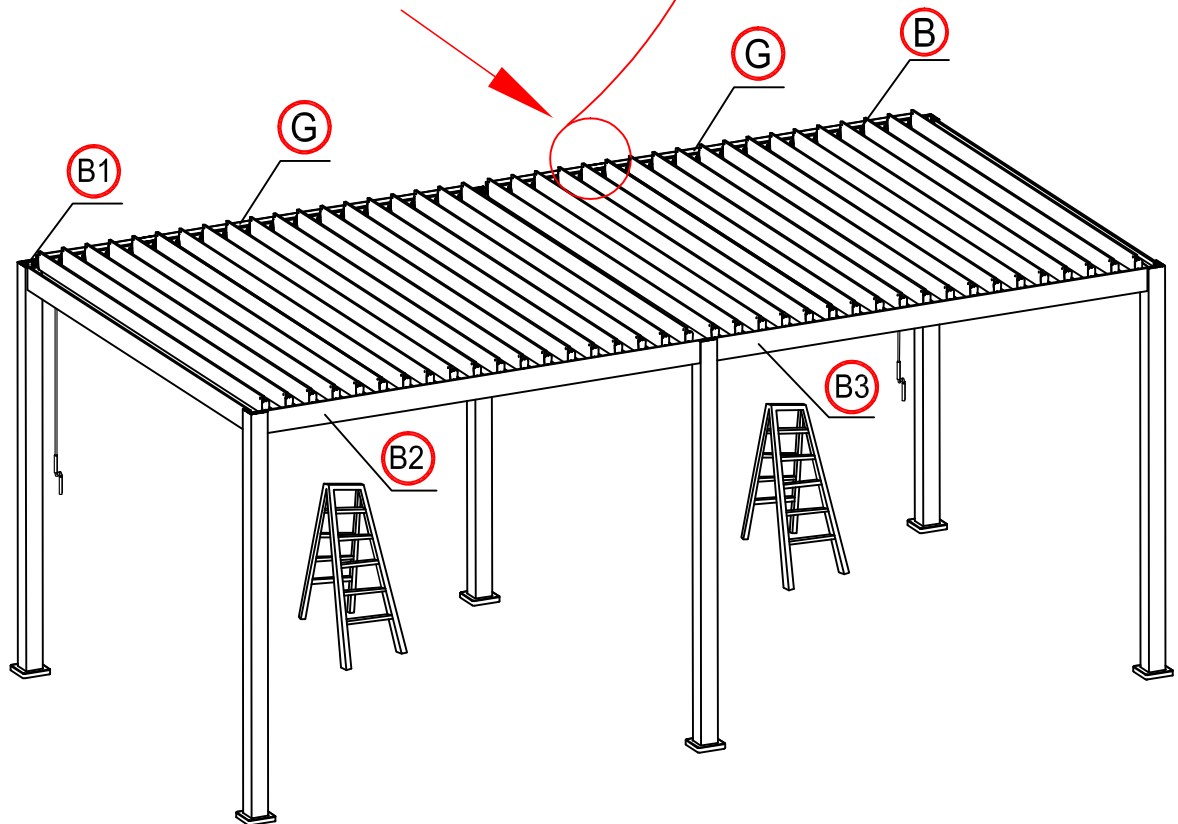
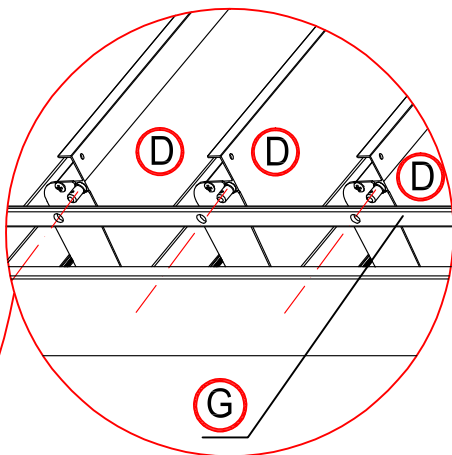
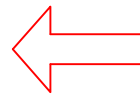
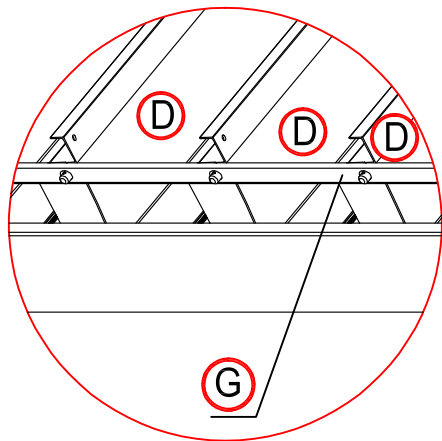
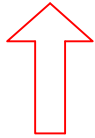
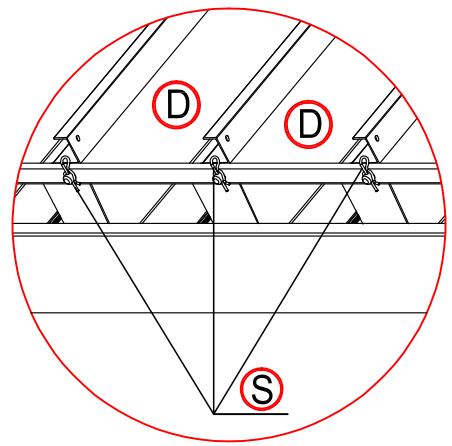
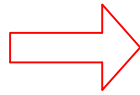
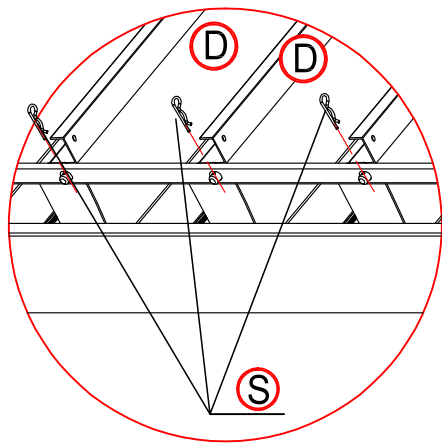


Please install the middle two shutter first.

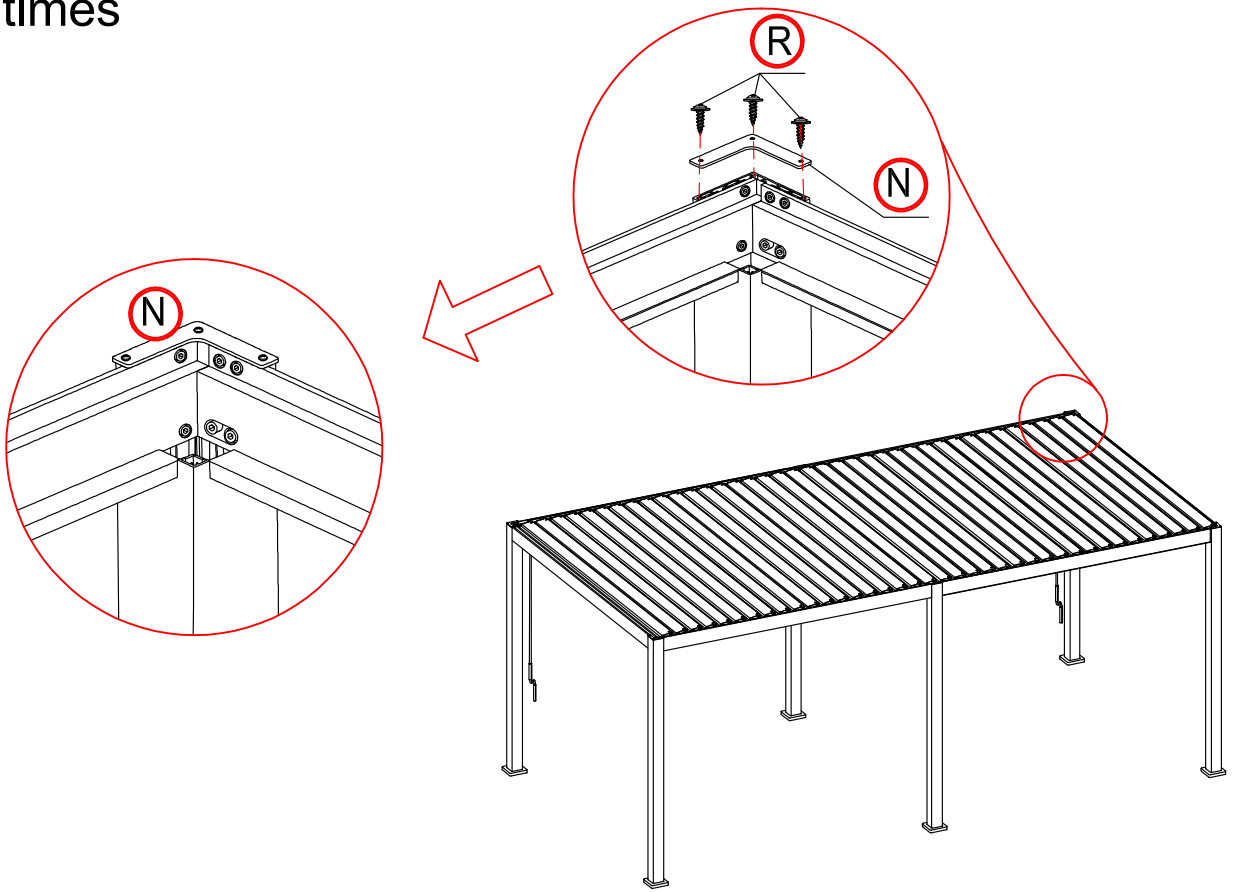


Make the shutter as vertical.

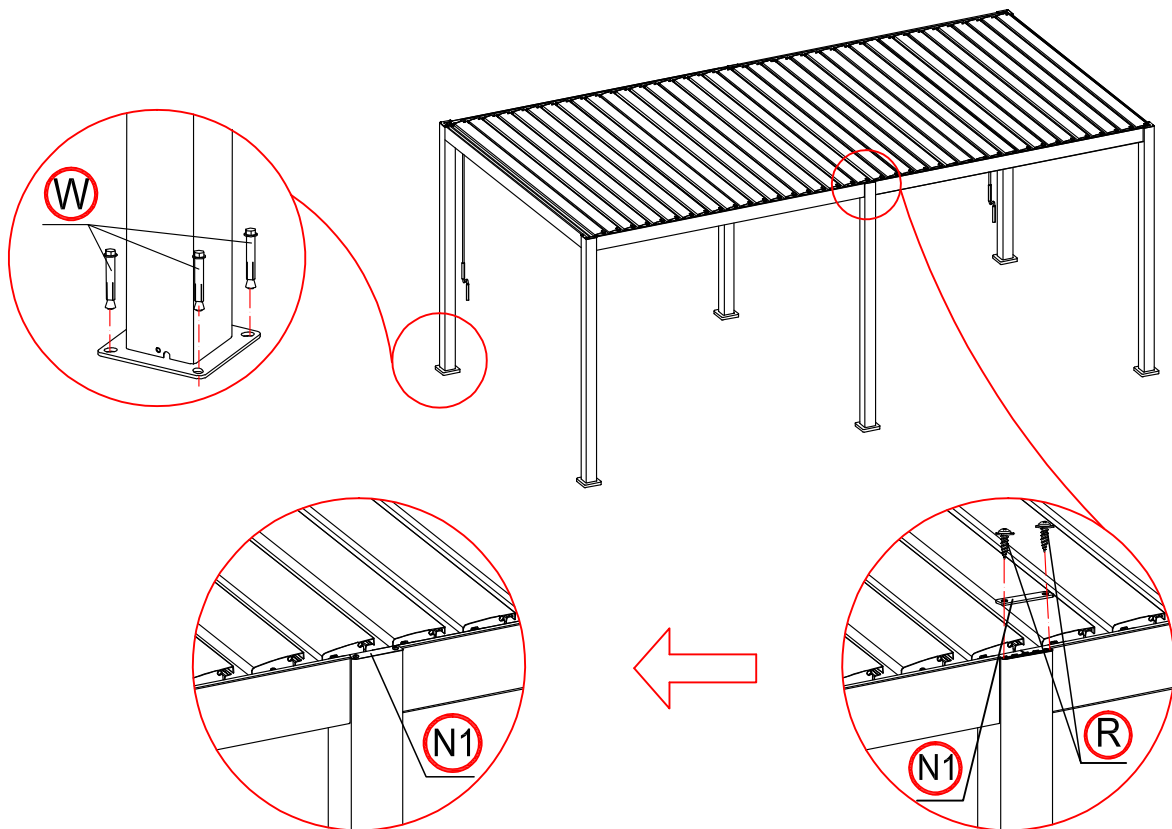




×4 times



23



24

24

