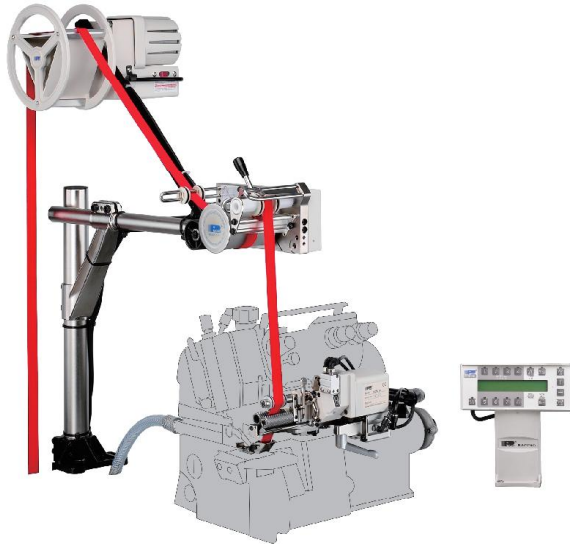


MCU 30 SERIES

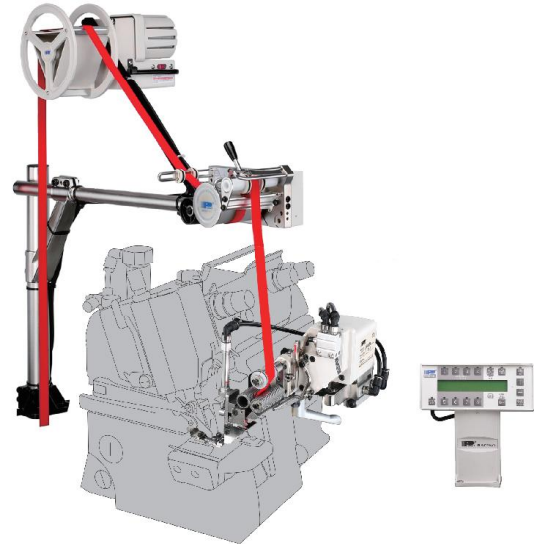
●微電腦張力控制(車縫尺寸精準)+自動切帶及進帶的功能：可縫製各種鬆緊帶製品，特別是縫製圓筒型製品的接頭，車縫中鬆緊帶可以在壓布腳前自動快速切斷再重疊車縫，接頭平整美觀，有26組工程記憶，每組8段(可連結208段)。

- **Computerized tension type metering device for precise tensioning, with auto-cutting and re-inserting.** For use on any elastic inserting job circular or flat. The tape cutter will cut the tape in front of the foot to make a flat beautiful joint. There are 26 available programs with 8 different tensions in each. The programs can be joined together to give you a maximum of 208 tensions.

MCU -30



MCU -30/TR/RTA



● 訂貨說明 Order guide

MCU -30/TR/RTA/PEGASUS EX5100

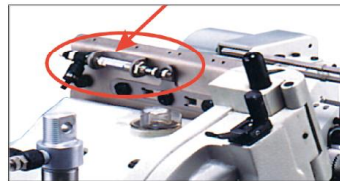


- 1 ● 機型代號：微電腦張力控制(車縫尺寸精準)+自動切帶及進帶的功能
- Model number for computerized tension type metering device.

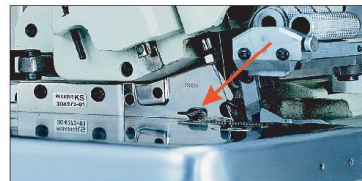
- 2 ● 送帶寬度(最寬)
- Maximum elastic width 30mm (1 3/16")
- 30 : 30mm(1 3/16")

- 3 ● 選擇配件
- Optional attachments.

TR：鬆線裝置：
Thread Release Device：



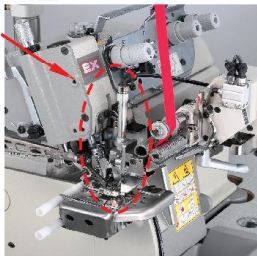
- 縫畢時可將車針的縫線放鬆便於切斷
- Releases the thread for easier thread cutting.



- 適用於有安裝吸入式線頭切斷裝置的包縫車
- Suitable with overlock machines with vacuum thread cutters.

- 4 ● 切帶後鬆緊帶張力保持裝置
- Keeps tension on the elastic after cutting.
- 縫製各種鬆緊帶製品，特別是縫製圓筒型製品的接頭，將切斷後的鬆緊帶仍然能夠保持需求的張力，使接頭美觀的重疊
- For use when sewing circular to keep the tension after the elastic is cut to produce a perfect joint.

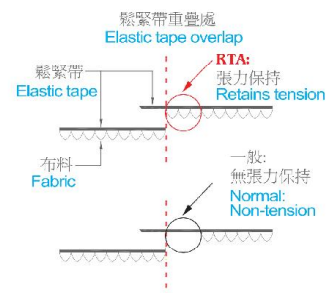
RTA:



RTA-22：
適用範圍6~22mm(1/4"~7/8")
for 6mm to 22mm elastic (1/4" to 7/8")

RTA-30：
適用範圍19~30mm(3/4"~3/16")
for 19mm to 30mm elastic (3/4" to 3/16")

RTA：用途說明 USAGE



- 5 ● 安裝針車廠牌機型
- Machine brand and model number.

需空壓設備
Air compressor required

MC M8 系列

張力式 微電腦全方位送帶機 (主機與控制盒分離型)
Versatile Tension type computerized metering device
 (The main unit is separate from the control box and display panel)

全方位功能 “隨心所欲”

VERSATILE “TO MEET ALL YOUR NEEDS” FUNCTION



輕薄短小 Compact Size



高效率
High Efficiency



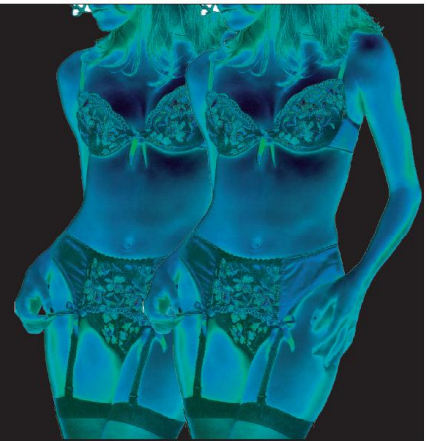
高品質產品
High Quality



提高利潤
Increase Profit

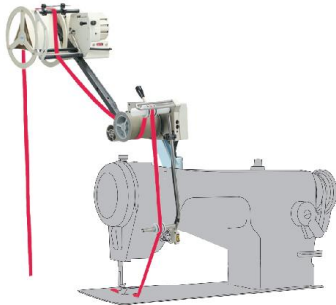


全方位汎用型
Universal Versatility

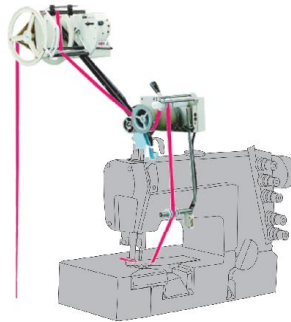


MC M8U 上送 UPPER FEED

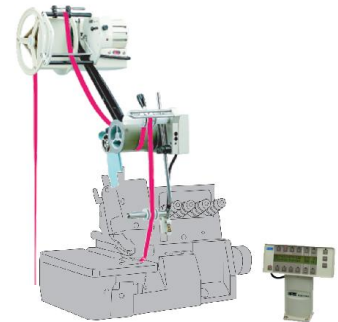
例一：人字車
EXAMPLE 1 : ZIG-ZAG



例二：節縫車
EXAMPLE 2 : COVERSTITCH

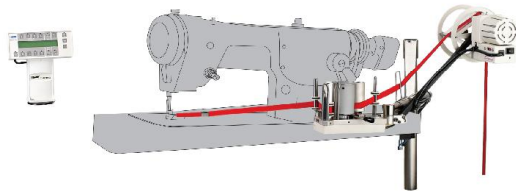


例三：包縫車
EXAMPLE 3 : OVERLOCK

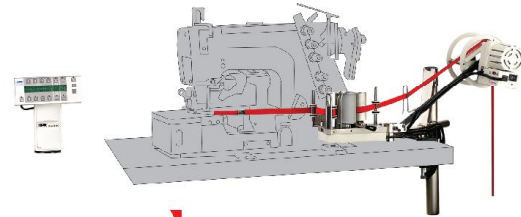


MC M8S 側送 SIDE FEED

例一：人字車
EXAMPLE 1 : ZIG-ZAG



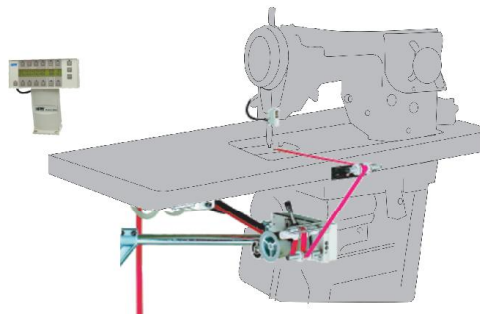
例二：節縫車
EXAMPLE 2 : COVERSTITCH



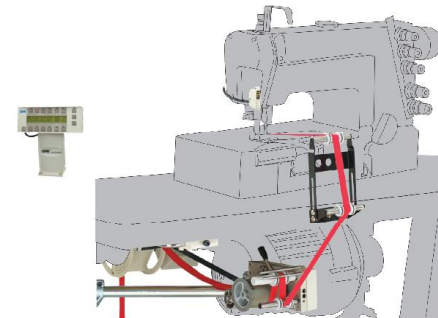
【註：MC M8U (上送) 與MC M8S (側送) 共用
 Remark : MC M8U (upper feed) and MC M8S (side feed) are interchangeable】

MC M8B 下送 BOTTOM FEED

例一：人字車
EXAMPLE 1 : ZIG-ZAG



例二：節縫車
EXAMPLE 2 : COVERSTITCH

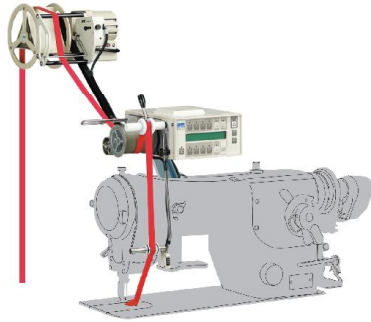


MC E8U 系列 張力式 上送專用，微電腦全方位送帶機 (主機與控制盒合併型，安裝簡便)

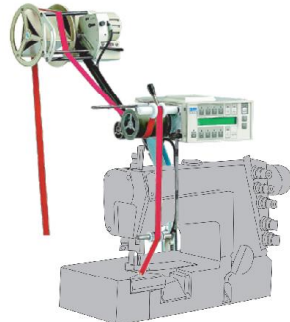
Computerized tension type metering device for upper feed only.
(The tension device and the control box are combined into one compact unit)

MC E8U 上送 UPPER FEED

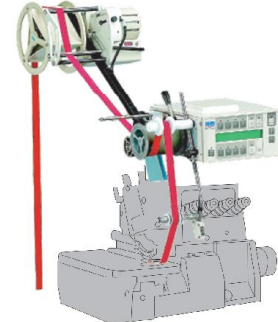
例一：人字車
EXAMPLE 1 : ZIG-ZAG



例二：飾縫車
EXAMPLE 2 : COVERSTITCH



例三：包縫車
EXAMPLE 3 : OVERLOCK



訂貨說明 Order guide

MC M8 U - / SY

1 2 3

- 1 ● 機型代號：微電腦多功能鬆緊帶控制裝置
● Model for Multi-Function computerized tension type metering device.

MC M8 系列：微電腦全方位送帶機 (主機與控制盒分離型)。
MC M8 SERIES : Computerized tension type metering device for upper, bottom, side or rear feeds.
(The main unit is separate from the control box and the display)

MC E8U 系列：微電腦上送型 (主組機與控制面板合併型，安裝簡便)。
MC E8U SERIES : Computerized tension type metering device for upper feed only.
(The main unit, the control box and the panel are all in one unit)

- 2 ● 分類：
● Feed Type :

U : 上送
U : Upper Feed
S : 側送
S : Side Feed

註：MC M8U (上送) 與 MC M8S (側送) 共用
Remark : MC M8U (upper feed) and MC M8S (side feed) are interchangeable

B : 下送
B : Bottom Feed

- 3 ● 配件：
● Accessory :

SY : 安裝於皮帶輪端的計數器，計算車縫的針數自動換段 (選擇配件)
SY : Fits on the machine hand wheel to control the auto section changes. (optional)



規格表 Specifications

● 標準配件
Standard Parts

基座固定方式 Mount	桌板 Table
工程記憶 Program & Memory	26組 每組8段 (可連結，最多208段) 26 programs, 8 tensions in each program (Maximum 208 tensions when the programs are combined)
每針送帶量 Feed Range/Per Stitch	0.4~4.0mm
最高速度 MAX. Speed	可配合各種縫紉機轉速 Unlimited
SY 計數器 Stitch Counter	選擇配件 Optional
E8 膝動換段開關 Knee Switch for Manual Section Change	●
E10 手動換段 (LED+換段指示燈) Section Change by Finger (LED+Indicate Lamp)	選擇配件 Optional
LED 換段指示燈 Indicator display	標準配件 (註：MCM8B 下送 不附) Standard (Note: MC M8B bottom feed does not include this display.)
E9 無張力送帶 Free Tension	●
送帶寬度最寬 MAX. Feeding width	64mm (2 1/2" inches)
電源 Power	AC 100-240V 自動切換 AC 100-240V Auto Switching

配件說明

Accessory descriptions for MC series



E8
● 膝動換段開關 (標準配件)：工程換段用。
● Knee Switch (Standard) : For manual section changes.



E10
● LED + 手動換段 (選擇配件) 體積小，操作簡便。
● LED and manual section change (Optional Parts): This tiny display shows the current section and includes a manual section changes switch.



LED
● 換段指示燈 (標準配件) 註：MCM8B (下送) 不附
● LED Indicator (Standard Parts)
(Note: MC M8B bottom feed does not include this display)



E9
● 無張力開關 (標準配件)
● Free Tape Switch (Standard Parts)



E6-1
● 懸吊無張力開關 (選擇配件)
● Foot pedal chain switch for free tape (optional)

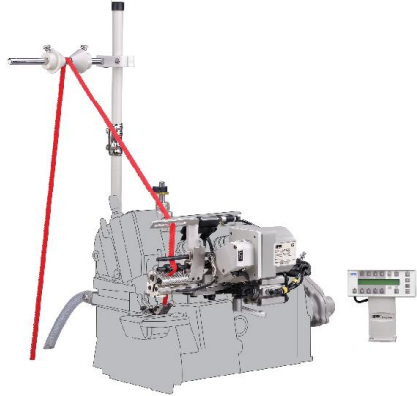
MCA 20 SERIES

●自動切帶及送帶的功能：可縫製各種鬆緊帶製品，特別是縫製圓筒型製品的接頭，車縫中鬆緊帶可以在壓布腳前自動快速切斷再重疊車縫，接頭平整美觀，有26組工程記憶，每組8段（最多可連結208段）。

●Auto cutting and re-inserting. Can be used with any elastic sewing operation. Especially for circular sewing operations. This series will auto cut the elastic in front of the foot quickly making a flat and beautiful joint. 26 programs, 8 sections per program for a total of 208 tensions when the programs are combined.

MCA 20K-38 MCA 20K-64

包縫車用
FOR OVERLOCK

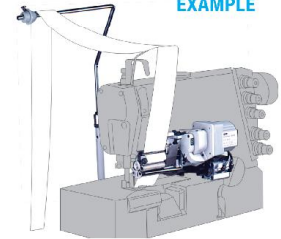


MCA 20K-38/TR/TFU/RTA



特殊機型 · 訂貨生產
CAN BE CUSTOM MADE FOR YOUR MACHINE
飾縫車用
FOR COVERSTITCH
人字車用
FOR ZIG-ZAG

範例
EXAMPLE



● 訂貨說明 Order guide

MCA20K- 38/TR/TFU/RTA/ PEGASUS EX5100

- 1
- 2
- 3
- 4
- 5

1 ●機型代號:微電腦多功能鬆緊帶控制裝置
●Model number of multi-functional computerized elastic metering device.

2 ●送帶寬度(最寬)
●Feeding width Max in mm and inches.

38: 38mm (1 1/2")		三線用 For 3 thread	3.5~13mm(1/4")	標準配件 Standard Parts	零件編號 Part No	163
		四線用 For 4 thread	8~26mm(1")	選擇配件 Optional Parts	零件編號 Part No	164
64: 64mm (2 1/2")		三線用 For 3 thread	19~38mm(1 1/2")	標準配件 Standard Parts	零件編號 Part No	165
		四線用 For 4 thread	25~50mm(2")	選擇配件 Optional Parts	零件編號 Part No	166
19: 19mm (3/4")	特殊機型 · 訂貨生產 AVAILABLE FOR CUSTOM-MADE		38~64mm(2 1/2")	標準配件 Standard Parts	零件編號 Part No	167

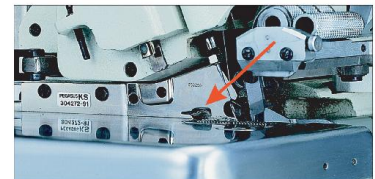
3 ●選擇配件
●Optional Parts

TFU : 上送型送料機, 參考P.14
Upper Tape Feeder · Please refer to P.14

TR : 鬆線裝置:
Thread Release Device :



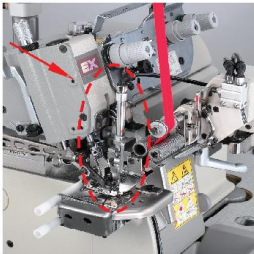
●縫紉時可將車針的縫線放鬆使於切斷
●Releases the thread for easier thread cutting.



●適用於有安裝吸入式線頭切斷裝置的包縫車
●Suitable with overlock machines with vacuum thread cutters.

4 ●切帶後鬆緊帶張力保持裝置
●Keeps tension on the elastic after cutting.
●縫製各種鬆緊帶製品，特別是縫製圓筒型製品的接頭，將切斷後的鬆緊帶仍然能夠保持需求的張力，使接頭美觀的重疊
●For use when sewing circular to keep the tension after the elastic is cut to produce a perfect joint.

RTA:



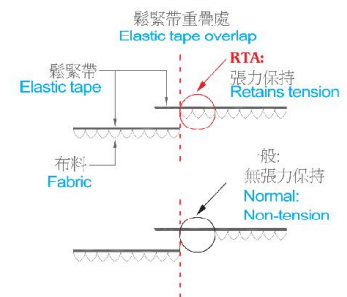
RTA-22 :
適用範圍6~22mm(1/4"~7/8")
for 6mm to 22mm elastic (1/4" to 7/8")

RTA-38 :
適用範圍19~38mm(3/4"~1 1/2")
for 19mm to 38mm elastic (3/4" to 1 1/2")

RTA-50 :
適用範圍25~50mm(1"~2")
for 25mm to 50mm elastic (1" to 2")

RTA-64 :
適用範圍38~64mm(1 1/2"~2 1/2")
for 38mm to 64mm elastic (1 1/2" to 2 1/2")

RTA : 用途說明 USAGE

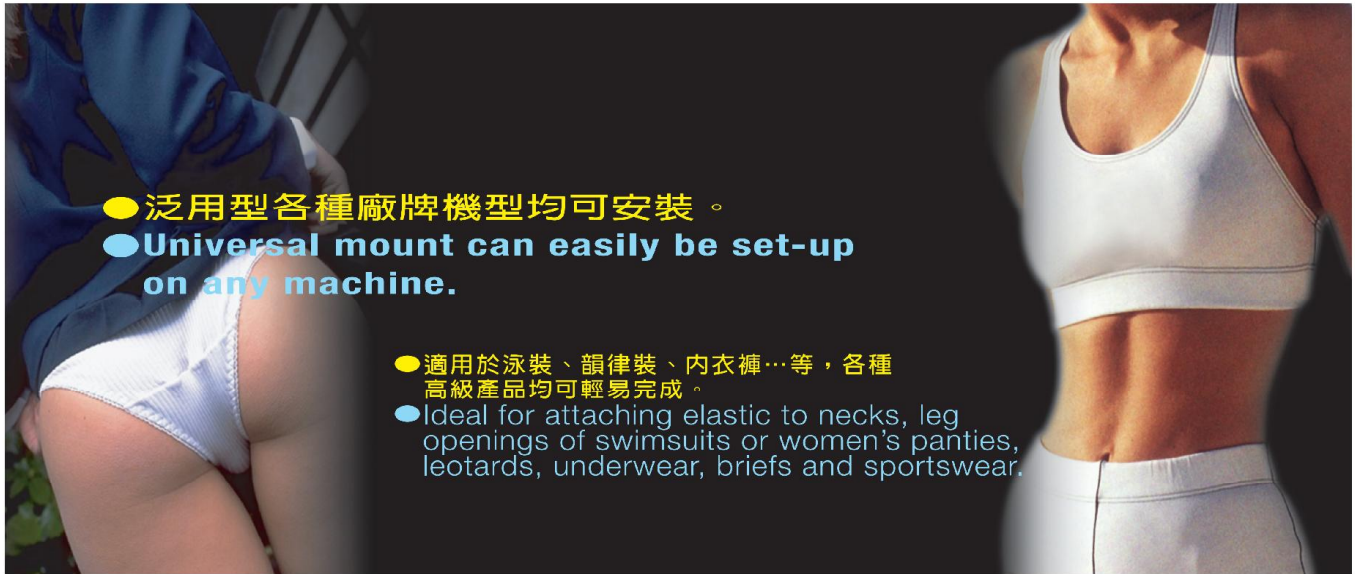


5 ●安裝針車廠牌機型
●Machine brand and model number.

需空壓設備
Air compressor required

MC S6 系列 SERIES

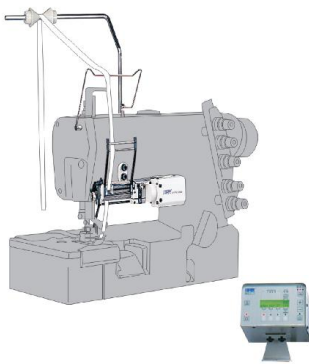
- 體積小，有六段可供選擇不同鬆緊度，送帶精確度高。
- Compact size. 6 available sections, with precise tension control, are available.
- 一般離合器馬達及定位馬達之縫紉機均可使用。
- Can be used with any clutch or position motor.



- 泛用型各種廠牌機型均可安裝。
- Universal mount can easily be set-up on any machine.

- 適用於泳裝、韻律裝、內衣褲...等，各種高級產品均可輕易完成。
- Ideal for attaching elastic to necks, leg openings of swimsuits or women's panties, leotards, underwear, briefs and sportswear.

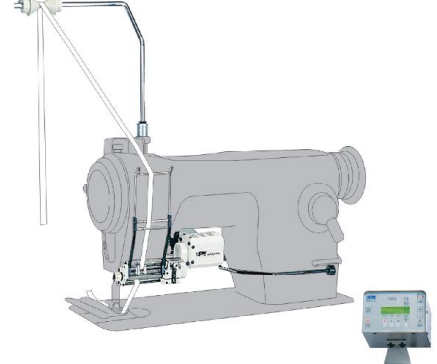
MC S6C-57 飾縫車用 FOR COVERSTITCH



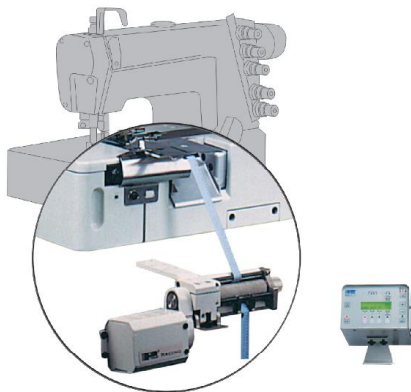
MC S6K-57 包縫車用 FOR OVERLOCK



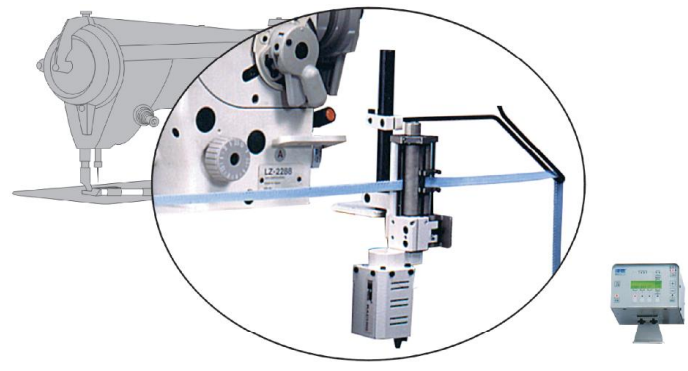
MC S6Z-57 人字車用 FOR ZIG-ZAG



MC S6B-57 下送用 FOR BOTTOM FEED



MC S6S-57 側送用 FOR SIDE FEED



● 訂貨說明 Order guide MCS6 C PEGASUS W562



1 ●MC S6: 送帶最大寬度57mm (2 1/4") 有六段可供選擇不同鬆緊度。
Feeding width up to 57mm(2 1/4") Up to 6 Separate Sections are available with Precise Tension Control.

2 ●C: 飾縫車用 ● Coverstitch ● S: 側送 (MC S6專用) ● Side Feeding (Only For MC S6)
● K: 包縫車用 ● Overlock ● B: 下送 (MC S6專用) ● Bottom Feeding (Only for MC S6)
● Z: 人字車用 ● Zig-Zag

3 ●安裝針車廠牌機型 ●Sewing Machine Brand And Model Number.

● 規格表 Specifications

功能 Function	機型 Model				
	MC S6 系列 Series				
	MC S6Z	MC S6K	MC S6C	MC S6B	MC S6S
基座固定方式 Bracket mounting location	機頭 Machine Head	車板 Table	機頭 Machine Head		車板 Table
送帶量 (mm) Feed Range (mm)/per stitch	0.4-3.8				
最高速度 MAX. Speed	5000/rpm (縫紉帶寬度小於4.0mm、針尾每針小於3.5mm/針) (The MAX. Width for Taps is 4.0mm. The MAX. Stitch/Per is 3.5mm)				
電源 Power	AC 100-240V 自動切換 AC 100-240V AUTO SWITCHING				