



naked**TREE**
Pergola



it's just a pergola.
no sap. no crap

INSTALLATION GUIDE

12X12' COVERED KIT

Let's start here.



02	WELCOME
03	COVERED KIT MEASUREMENTS
04	TOOLS NEEDED – HARDWARE KIT
05	TIMBER KIT
06	LAYOUT + MOUNTING
07	POST + BEAMS
08	CORNER BRACES
09	RAFTERS
10	CEILING PLANK
11	METAL ROOF



naked**TREE**
Pergola

Thank you for choosing nakedTREEpergola for your DIY project. With our dovetail timber frame kit, the assembly will be fun and simple. You will need a helper for team lifting, with posts and beams ranging from 40-100lbs. If you plan to; seal, stain, sand, or apply any finishing, we recommend finishing prior to assembling for a quick and easy process. Otherwise, if you prefer to keep your pergola naked, it's time to start building. For beginners with little to no building experience, plan 8-10 hours from start to finish. For those with some experience with building or home improvement projects, you should be able to complete your pergola assembly in 4-6 hours. And for expert contractors familiar with framing, decking, and/or carpentry, we bet you can wrap this up in less than 4 hours.

Let's have some fun!

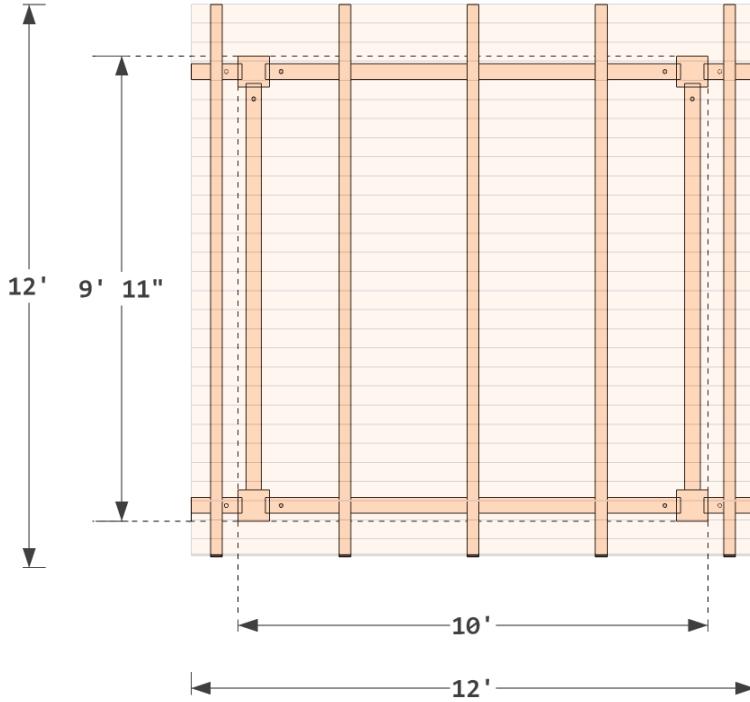


COVERED KIT MEASUREMENTS.

*We base our layout measurements off the outside perimeter of the post. Not the center of the post.

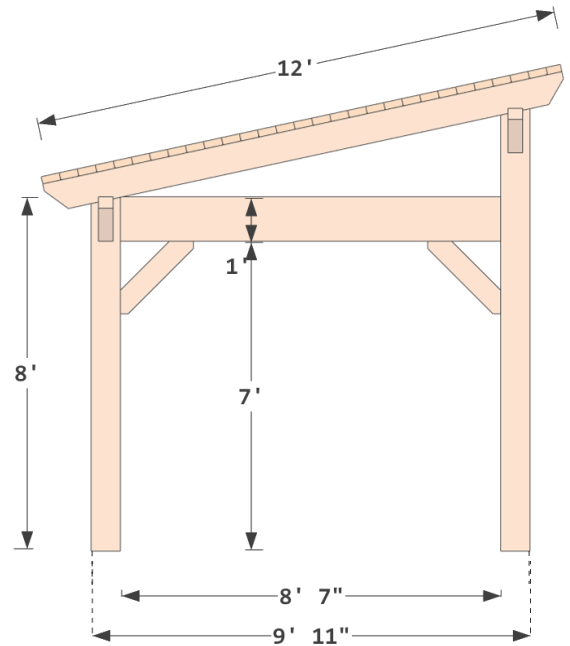
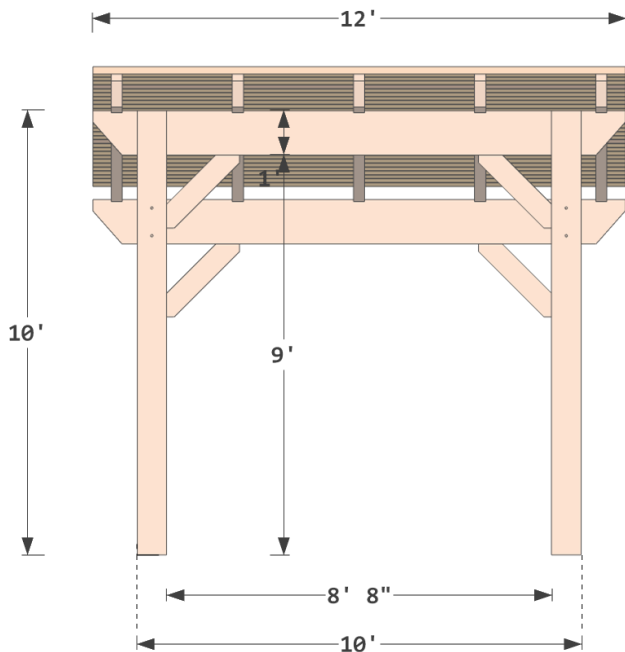
Footprint *.

9'11"x10' (TOP 12x12')



Elevations.

OVERALL, HEIGHT 10'-11 15/16"





TOOLS NEEDED. (NOT INCLUDED)



SOME OF THE STEPS IN THE ASSEMBLY PROCESS WILL REQUIRE A HELPER



MEASURE TAPE + CHALK LINE



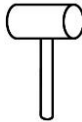
RECOMMENDED: IMPACT SCREWDRIVER



SOCKET WRENCH (14mm)



HAMMER DRILL



MALLET



(2) LADDERS



LEVEL

HARDWARE KIT. (INCLUDED)

Concrete drill bit.

(1) - 3/8"



Concrete anchors.

(16) - 3/8" x 3-3/4"



Deck screws.

(150) - #10x 3 1/2" - (T25)



Timber screws.

(10) - 10" - 0.23" dia. - FLAT (5/16 HEX BIT)



Torx drill bit. - Hex Bit.

(1) - T25

(1) - 5/16"

(1) - T40



Pipe plate.

(4) - 5x5x12"



Ledger screws.

(30) - 8" - 0.23" dia. - FLAT (T40)

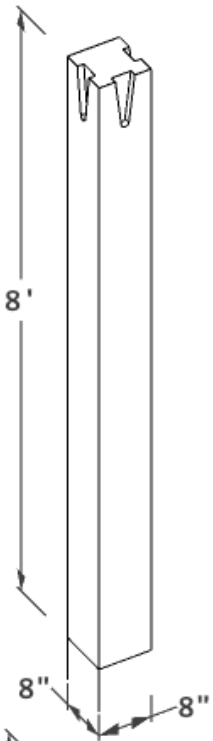




TIMBER KIT.

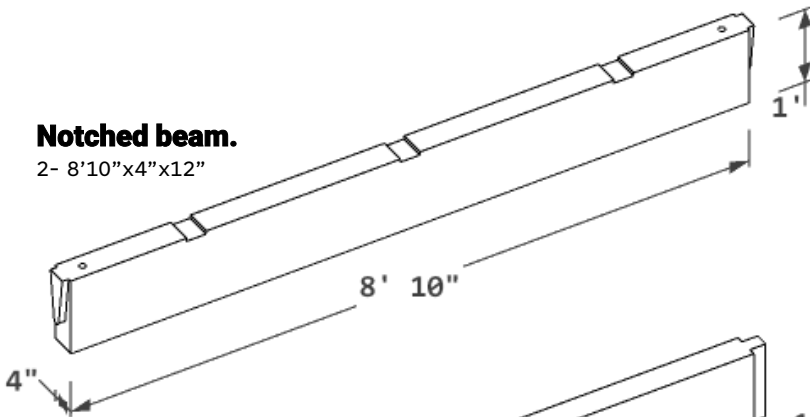
Low Post.

2- 8"x8"x8'



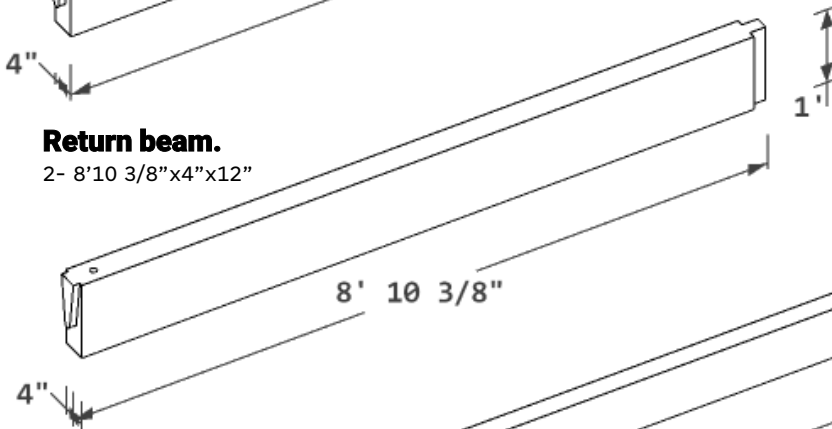
Notched beam.

2- 8'10"x4"x12"



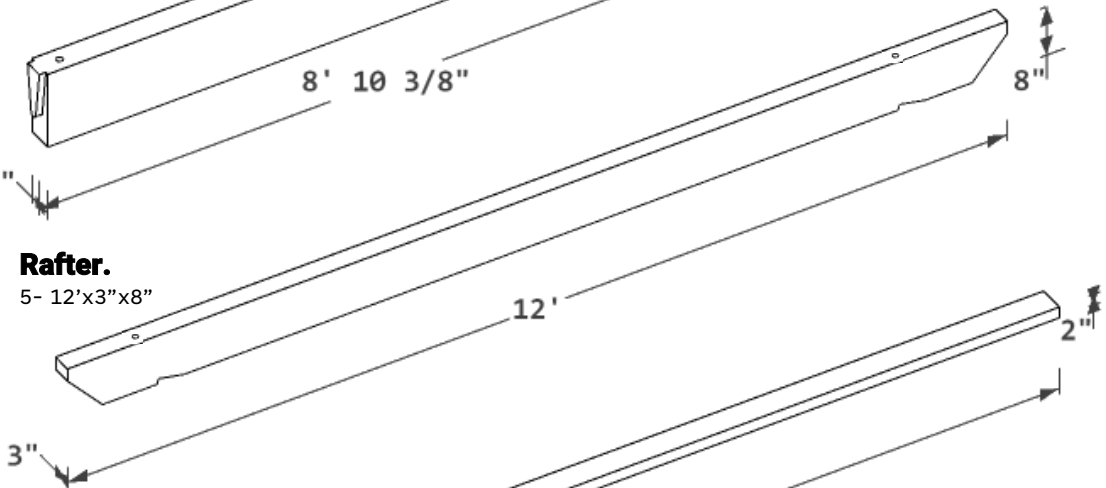
Return beam.

2- 8'10 3/8"x4"x12"



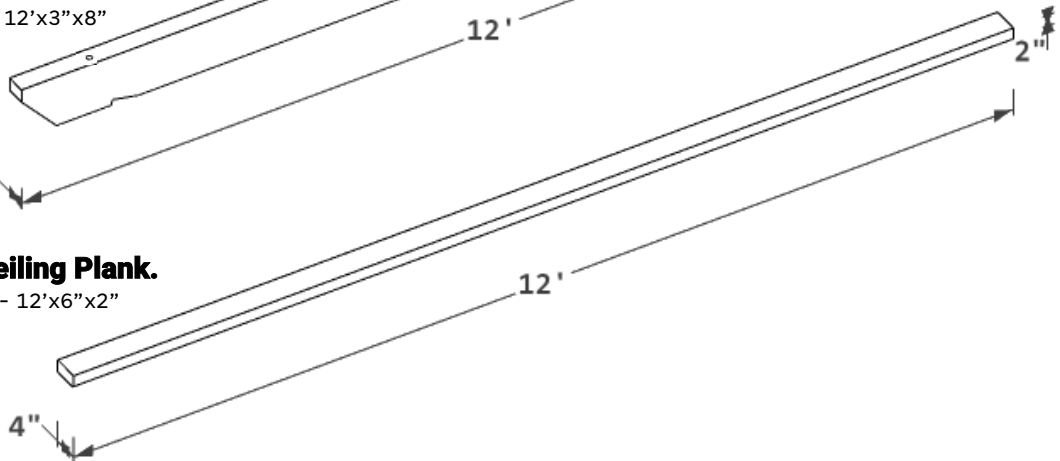
Rafter.

5- 12'x3"x8"



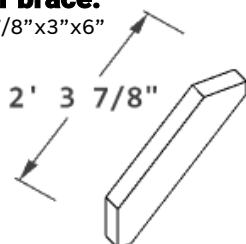
Ceiling Plank.

29- 12'x6"x2"



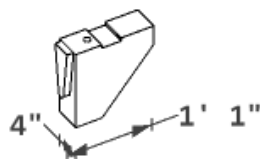
Corner brace.

8- 2' 3 7/8"x3"x6"



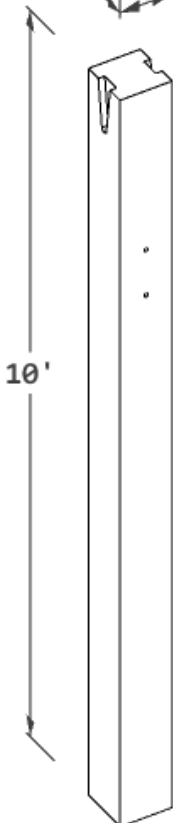
Corbel.

4- 1'1"x4"x12"



High Post.

2- 8"x8"x10'



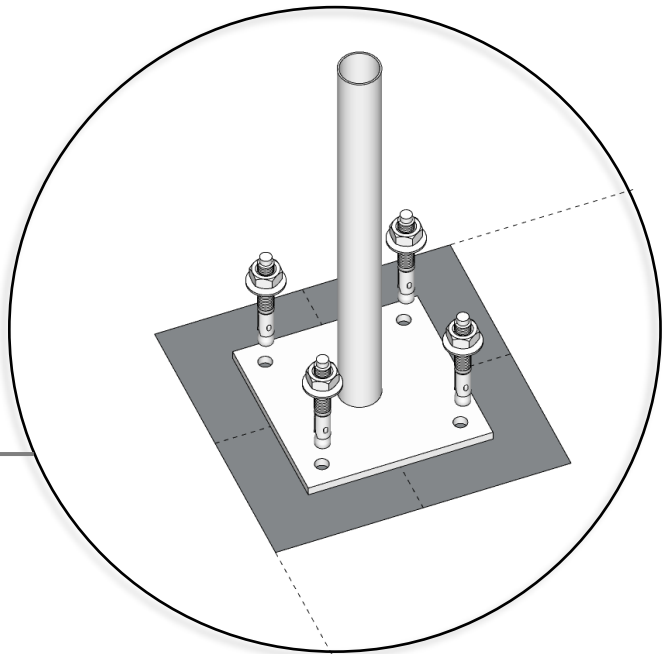
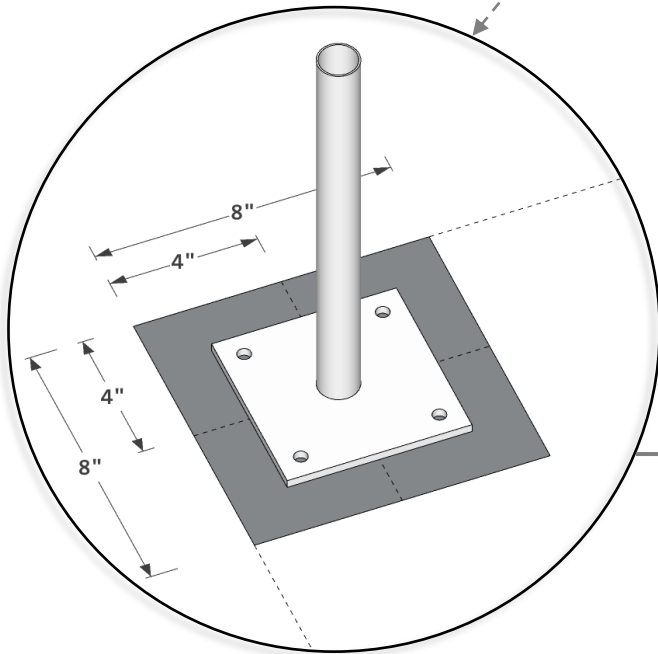
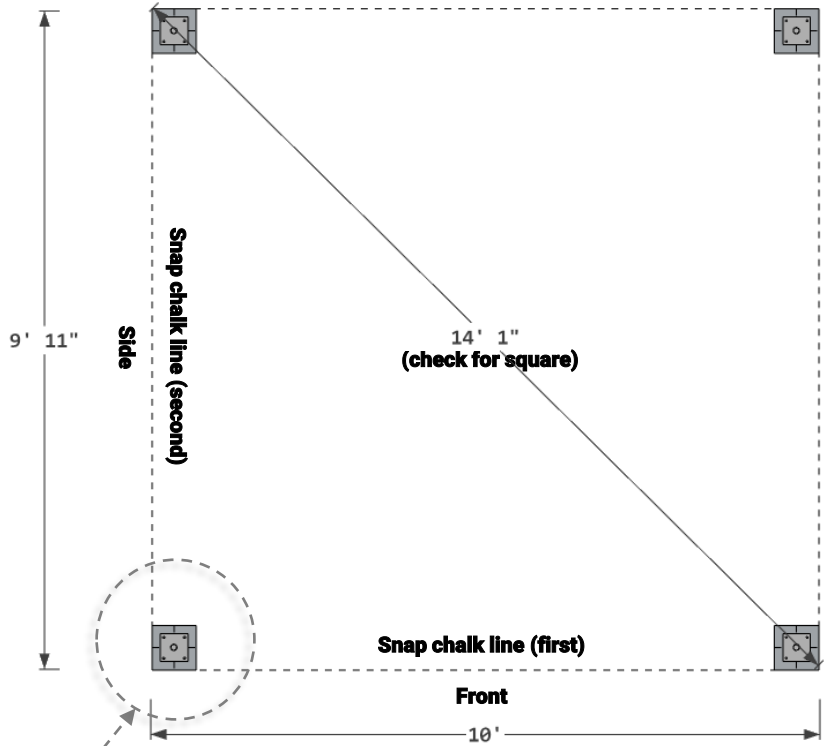


LAYOUT + MOUNTING.

Setting layout and mounting pipe plate.

Before beginning, ensure that you have all your pieces listed on your hardware/timber kit sheet and ensure that the base for the pergola is solid and level.

Layout the 9'11" X 10' posts according to the layout provided 8x8', then measure in 4" for the pipe plate placement then drill and secure to concrete with provided concrete anchors and concrete drill bit.





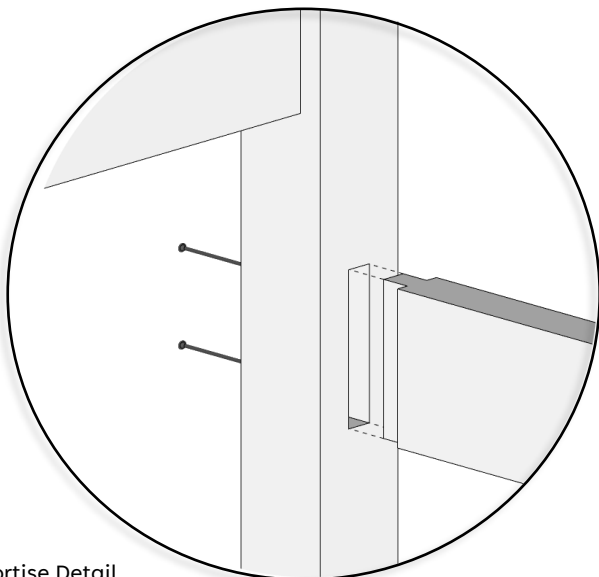
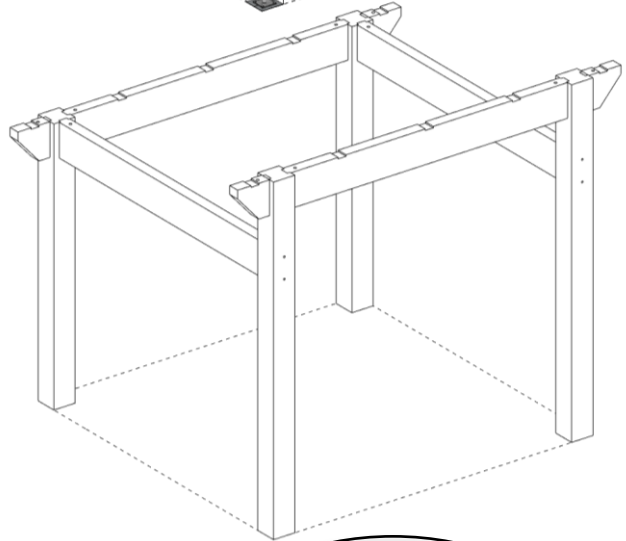
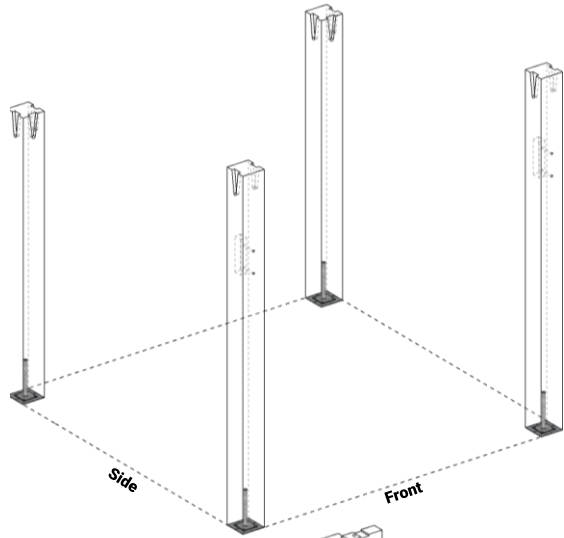
POST + BEAMS.

Slide posts and secure beams.

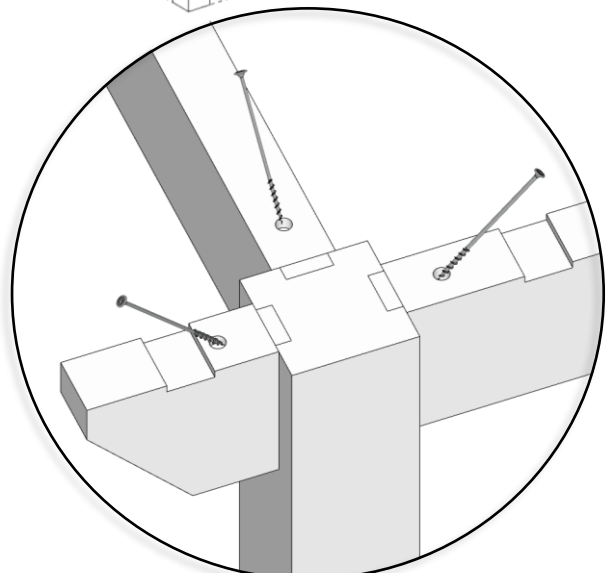
Start by sliding the posts into the pipe plate. Ensure that the top dovetails face the inside of the pergola and 1 dovetail faces the outer side.

Slide the return beam through the post dovetail notches and secure the beam with an 8" (T40 Bit) timber screw at 45 degrees through the pre-drilled holes, on the top from the beam to the post on both ends. Continue until all the beams are secured. Install corbels in the same manner.

Continue with the sides beam, slide dovetail into the post, and then tenon into the mortise (post a to post c and post b to post d), drill all the way through, and fasten with 5/8 "oak pegs from the back of the post.



Mortise Detail

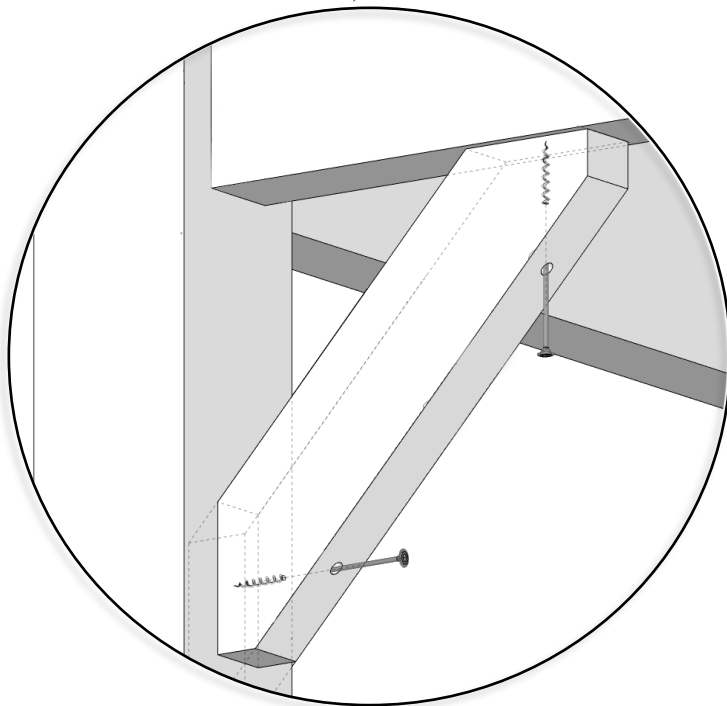
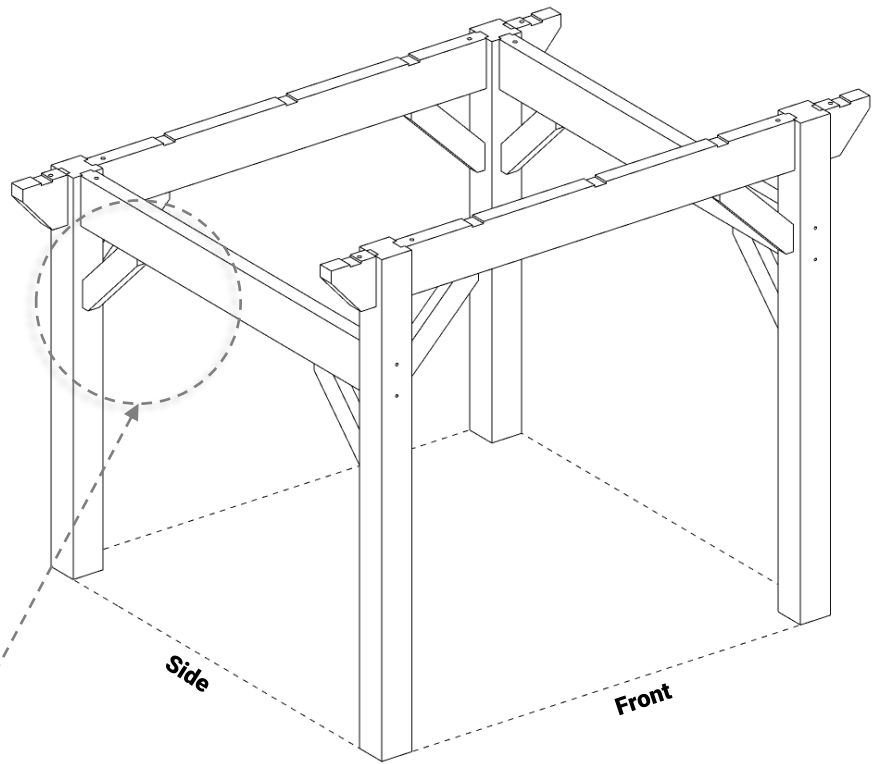




CORNER BRACES.

Install corner braces.

Lift and fit the knee brace into position between a Post and Beam. Once the fit is square and tight, secure the Knee Brace with the 8" (T40) timber screws, by drilling through the 1" pre-drilled hole. Repeat at every Post and Beam intersection, ensuring plumb of the Post as you go.



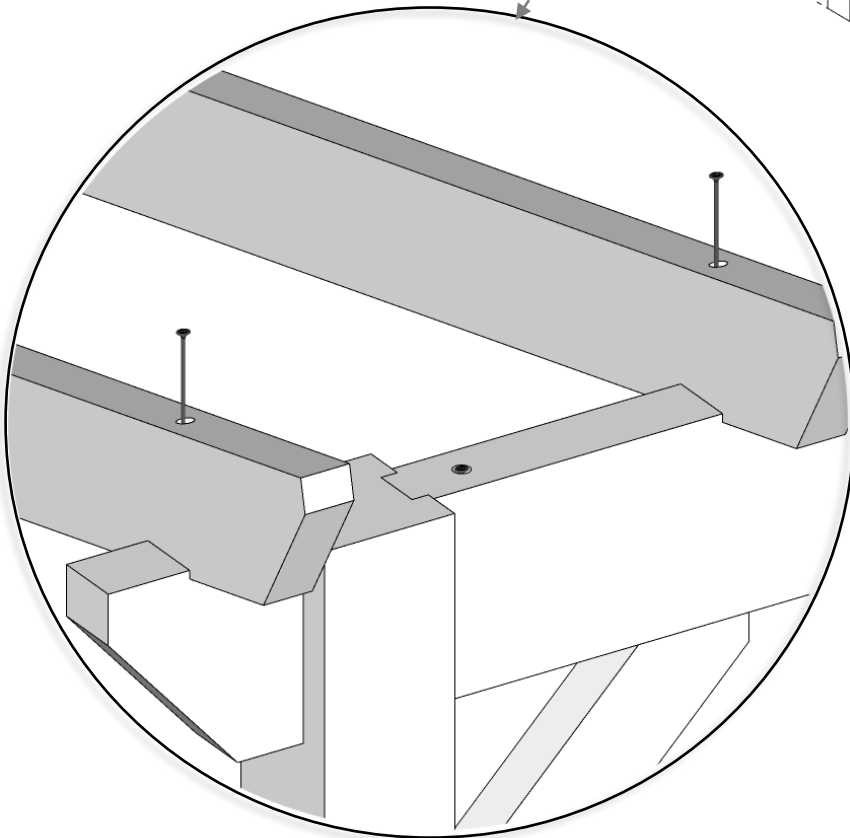
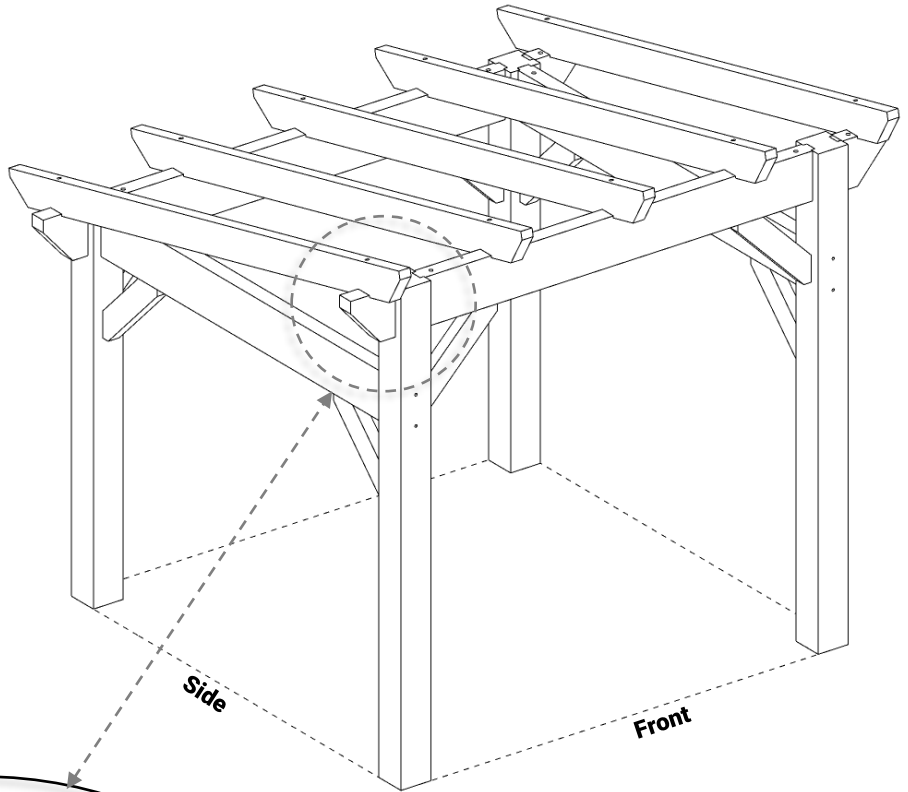


RAFTERS.

Install rafters.

Continue installing the 12' rafters, starting with the outside rafters. these should sit between the 3" notches of the corbels (low and high side).

the rafters should overhang past each beam and corbels 11 5/16" to the end of the rafter on each side. - fasten the rafters to the beam through the pre-drilled hole and use a 10" timber lock (5/16" hex bit) timber screw and secure the rafter into the beam/corbels.



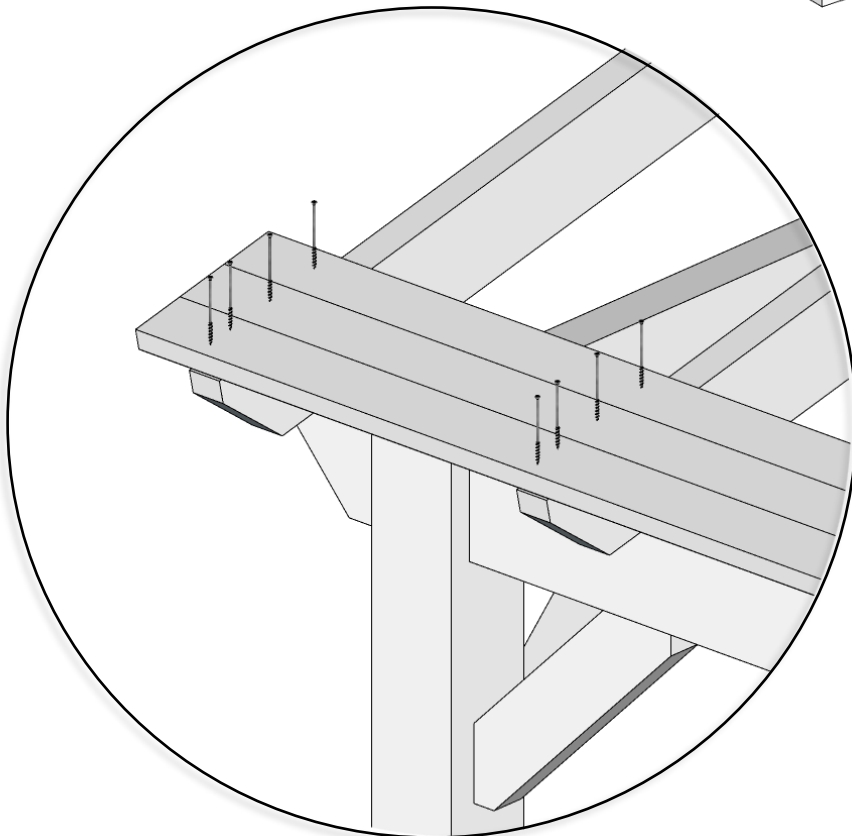
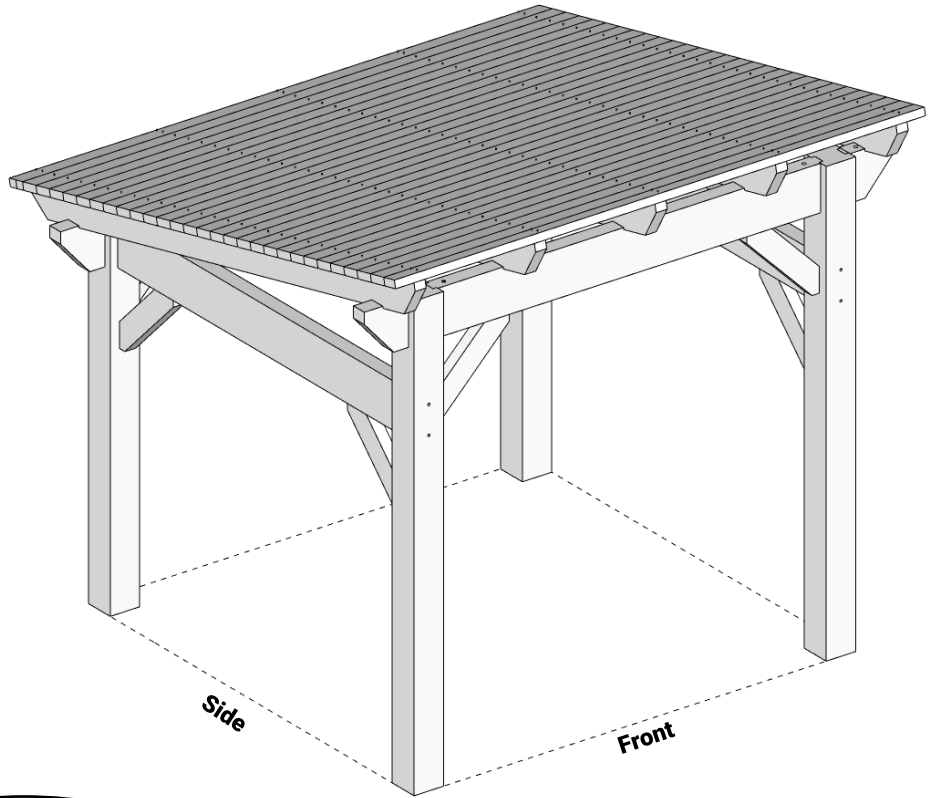


CEILING PLANK.

Install ceiling planks.

Place the groove facing the front of the structure, and cut the tongue, side flush with the bottom end of the rafters. Boards should overhang 5" past the rafters on each side.

Fasten with two 5" deck screws for each rafter on the first piece. The remaining ceiling planks can be fastened with one nail at each rafter. Continue up to the Top of the rafters.

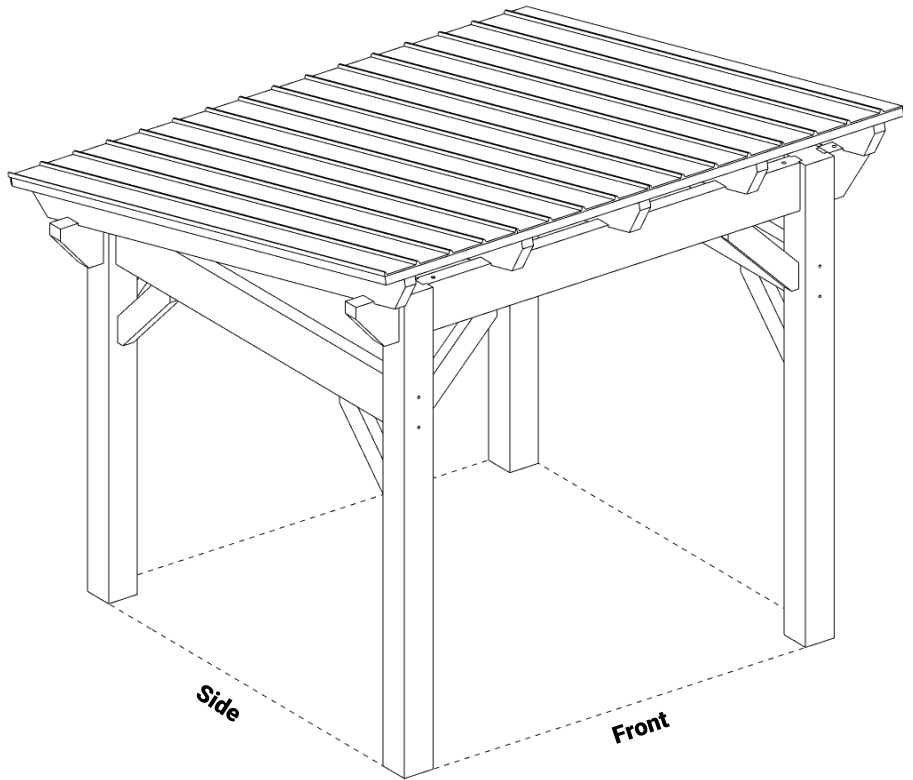




METAL ROOF.

Install metal roofing.

See the manufacturer's manual for more information.





CONGRATULATIONS.

You are ready to enjoy your
nakedTREEpergola – covered kit!



naked**TREE**
Pergola