



DROP

ENG	ELECTRIC SAUNA HEATER	3-12
FR	APPAREIL DE CHAUFFAGE ÉLECTRIQUE DE SAUNA	15-24



IPX4



info@huumsauna.com

www.huumsauna.com

DROP

ELECTRIC SAUNA HEATER Installation and operation manual

NB! The following instructions for electrical works must be carried out by a certified electrician.

NB! We strongly recommend a specialist to lay the stones on the heater.

NB! This appliance is not intended for use by persons (including children) with reduced physical, sensory or mental capabilities, or lack of experience and knowledge, unless they have been given supervision or instruction concerning use of the appliance by a person responsible for their safety.

NB! Children should be supervised to ensure that they do not play with the appliance.

NB! The installation instructions for appliances for public saunas that do not have a timer shall state that a pilot lamp showing that the heater is switched on is to be installed in the attendant's room. The previously provided manual does not contain this information.

The safety of the products is based on EN 60335-2-53: 2011 "Household and similar electrical appliances. Safety. Part 2-53: Particular requirements for sauna heating appliances and infrared cabins".

The product must be installed as a complete set. The HUUM DROP electric sauna heater delivery set contains:

- electric heater;
- installation and operation manual for the electric heater;
- the 9 kW DROP sauna heater set includes a heat guiding device

NB! The electric heater requires a control panel and stones.

THINGS TO CHECK BEFORE INSTALLATION

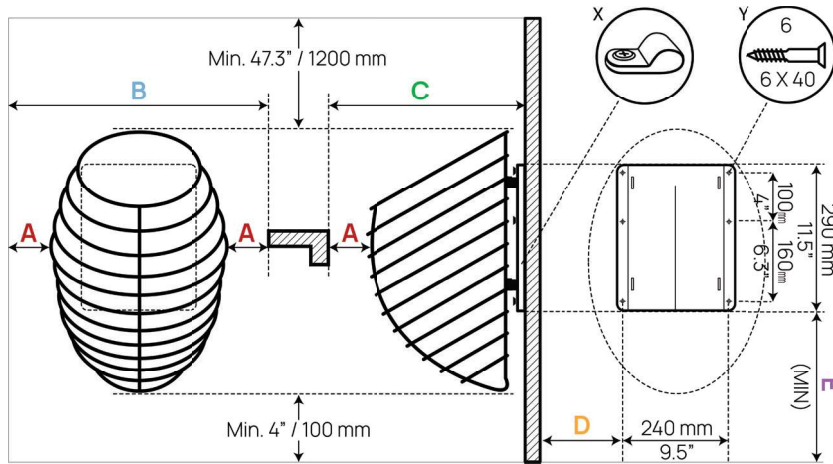
- Does the output (kW) match the volume (ft³/m³) of the sauna room? See Table 2-3.
- In case there are any uninsulated brick, tile or glass walls in the sauna room, an additional volume of 53 ft³ (1,5 m³) should be added to the sauna room for each such square meter of the wall.
- The suitable output of the heater will be determined based on Table 2-3.
- The producer's warranty guarantee is invalid if the heater and sauna room have been dimensioned incorrectly!
- Minimal safe distances between the sauna room's ceiling and walls in view of installing the electric heater are listed in Table 1.

INSTALLATION

Positioning the heater

- The heater must be positioned in such a way that there is a safe distance between flammable materials and the external surfaces of the heater. See Figure.
- In installing the heater, it must be prevented that people could have physical contact with the heater or that other dangerous situations could emerge during the heating process.
- Remove the protective film from the steel plate behind the heater.
- The method of mounting the heater must guarantee that it remains securely on the wall. The full weight of 143.3 lb (65 kg) should be considered upon installing the heater on the wall.
- The input of the power cable is located 2,6" (6.5 cm) to the left of the centre of the heater and 3" (8 cm) from the lower edge when looking from the front.

Table 1	A	B	C	D	E	MIN gap
DROP 4	4 in 100 mm	23.3 in 590 mm	17.1 in 435 mm	6.7 in 170 mm	12.2 in 310 mm	47.3 in 1200 mm
DROP 6	4.8 in 120 mm	24.8 in 630 mm	17.9 in 455 mm	7.5 in 190 mm	12.2 in 310 mm	47.3 in 1200 mm
DROP 7.5	5.3 in 135 mm	25.9 in 660 mm	18.5 in 470 mm	8.1 in 205 mm	12.2 in 310 mm	47.3 in 1200 mm
DROP 9	5.9 in 150 mm	27.2 in 690 mm	19.1 in 485 mm	8.7 in 220 mm	12.2 in 310 mm	47.3 in 1200 mm



Connecting the heater to the power supply

- A method to disconnect all poles from the mains (a circuit breaker) must be installed on the power circuit before the sauna controller.
- Only a certified electrician is allowed to connect the heater to the power supply.
- The power cable of the heater must meet the requirements of UL 62 in US and CSA 49 in Canada.
- The maximum current intensity in the cross-sectional area of the cable and circuit breaker are listed in Table 2.
- The cable must be secured to the clamp on the cover screw.

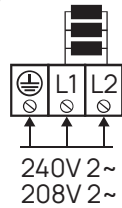
Table 2	Output kW (240V)	Room	Amps A	Circuit Breaker A	Wire Size AWG
DROP 4.5	4.5	106-247 ft ³ 3-7 m ³	18.75	30	10
DROP 6	6	177-353 ft ³ 5-10 m ³	25	30	10
DROP 7.5	7.5	247-424 ft ³ 7-12 m ³	31.25	40	8
DROP 9	9	282-530 ft ³ 8-15 m ³	37.5	50	8

Table 3	Output kW (208V)	Room	Amps A	Circuit Breaker A	Wire Size AWG
DROP 4.5	3.4	88-194 ft ³ 2.5-5.5 m ³	16.35	20	12
DROP 6	4.5	141-282 ft ³ 4-8 m ³	21.63	30	10
DROP 7.5	5.6	176-318 ft ³ 5-9 m ³	26.92	30	10
DROP 9	6.75	211-388 ft ³ 6-11 m ³	32.45	40	8

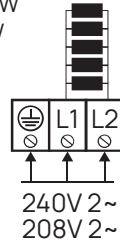
NB! It is forbidden to use a non-heat-resistant cable with PVC isolation as the power cable. The joint box must be waterproof and it must be located up to 19.7 in (50 cm) from the floor.

- Open the cover of the heater's electrical box.
- Attach the power cable on the terminal block according to the circuit diagram.
- Close the cover.
- Fix the cable on the output with a cable strap.
- Install the heater on the wall frame.

DROP 4.5 kW
DROP 6 kW



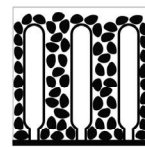
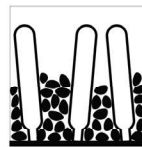
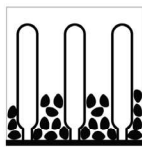
DROP 7.5 kW
DROP 9 kW



Fitting the stones

Upon stacking the stones, one should monitor that the heating elements are not bent and that there is a sufficient air circulation around the heater elements.

- Stack the stones sparsely between the heating elements. When the stones have been stacked too close to each other, the heating elements may overheat (= shorter useful life) and slow the heating of the sauna.
- Stones with a diameter of 2-4 in (5-10 cm) are suitable for the heater.
- The stones on the external surface of the heater must fully cover the heating elements. The heating elements must not be visible.
- The external surface of the stone container must be stacked full as tightly as possible; the surface of the heating elements must not be visible.
- Using ceramic stones in the DROP heater is allowed upon the user's responsibility.



ENG

ATTENTION!

A TOO SPARSELY FILLED STONE CONTAINER CAUSES FIRE HAZARD!

NB! We strongly recommend a specialist to lay the stones on the heater.

Before switching the heater on, the insulation resistance might prove to be lower than the standard.

The reason for that is the moisture seeped into the insulating layer during storage in the warehouse and transportation. The moisture evaporates in 1-2 hours of heating the electric heater.

Controlling the heater

The output of the heater must remain in the interval determined by the control panel's producer. Product other than those for installation in public saunas, shall be provided with a timer. For appliances for use in blocks of flats, hotels and similar locations, the operating period of the sauna heater shall be limited to 12 h with a minimum rest period of 6 h before any automatic restarting. For other appliances, the operating period of the timer shall be limited to 6 h, automatic restarting not being allowed.

NB! Installing the heater closer to flammable constructions than at the distance of the minimal required protection belt may cause fire hazard.

SAUNA ROOM

Wall materials and insulating the sauna room

In a sauna with electric heating, all massive heat accumulating wall surfaces (brick, glass brick, rendering etc.) must be insulated to use the electric heater with a regular output.

The following sauna wall and ceiling construction is considered to be sufficiently insulated:

- a carefully installed insulation wool layer of 4 in, minimum 2 in (100 mm, min. 50 mm)
- the construction is damp proofed with taped aluminium paper or other reflective material
- there is a 0.4 in (10 mm) air gap between the damp protection and boarding
- a light wooden board that is about 0.5-0.65 in (12-16 mm) thick has been used for interior finishing
- there is an air gap of at least 0.2 in (5 mm) on the edge of the ceiling panels at the upper part of the wall panelling.

In order to use the heater with a regular output, it would be practical to bring the ceiling of the sauna lower regular 83 - 91 in, min. height of sauna room 75 in (2100-2300 mm, min. height of sauna room 1900 mm) so that the volume of the sauna room diminishes. The ceiling is insulated with an insulation layer at least 4 in (100 mm) thick and boarded according to the method described above.

Wood should be used to cover internal surfaces; an exception may be made for heat resistant walls in the vicinity of the heater.

ATTENTION! Insulating the heat barrier has to be approved by the fire inspector. Insulating flues in use is forbidden!

NB! Covering the walls or floor with light protective material, for example, mineral tiles that are installed directly on the surface of the walls or ceiling might cause the dangerous overheating of the wall or ceiling material.

Darkening of the sauna room walls

Due to heat, the wood material in the sauna room darkens in time. If you use wood protection products, you may notice that the wall above the heater darkens before long. The darkening process is also caused by the fine stone dust, breaking away from the heater stones and lifted up by the airflow. If you follow the producer's instructions upon installing the heater, the flammable materials in the sauna room will not heat to a dangerous level. The highest allowed temperature for the wall and ceiling surfaces is 284 °F (140 °C).

Floor of the sauna room

The heater stones in use crumble due to temperature changes. The pieces and pebbles breaking away from the heater stones are washed on the sauna's floor with the steam-making water. Hot stone parts may damage plastic flooring under and near the heater.

Heater stone particles and sprays from the steam-making water (e.g., with iron content) may absorb into the light joints of a tile floor. In order to avoid aesthetic damage (caused by the reasons mentioned above), ceramic tiles and dark joint filler should be used under and around the heater.

Ventilation of the sauna

In order to assure a sufficient oxygen supply and fresh air, the sauna's ventilation must be as efficient as possible. It is advisable to direct the fresh air into the sauna room from above the heater stones. As an alternative, the fresh air may be directed in from under the heater.

The air inlet must be equipped with an adjustable valve. The exhaust valve must be installed in the opposite wall from the heater at least 7.9 in (20 cm) above the inlet valve.

WARNING!

- Before turning on the electric heater, always check the sauna room and heater.
- The heater may be used only when it has been correctly filled with stones.
- Do not cover the heater—this causes fire hazard.
- Do not touch a working heater, it causes burns.
- Ventilating the sauna room incorrectly may dry the wood too much and cause a fire hazard in the sauna.
- Only tap water may be used for making steam.
- Never make steam by using a water hose.
- There must always be at least 2 in (5 cm) of fireproof heat insulation under the boarding.
- Sauna doors must always open outward.
- Do not use the sauna for any other purpose than it is meant to be used.
- Do not install more than one heater in the sauna room.
- Undiluted sauna essences etc. may ignite when poured directly on the stones.
- Do not leave small children in the sauna unattended.
- Sudden cooling after staying in the steam room is not recommended for people with poor health. Consult a doctor.
- Enjoy the sauna as long as it is comfortable for you.
- Keep this information in a secure place.
- The product's warranty guarantee does not extend to heating elements.

ENG

WARRANTY

Buyer is obligated to read user manual and follow instructions and requirements presented. Damage to the product caused by not following instructions and requirements will void warranty.

If any defects are found on the product, where manufacturer can be blamed, then buyer has the right to demand fixing or replacing the product. Demands must be made not later than 5 years after buying the product. Purchase receipt needs to be presented when warranty demands are made.

Warranty Terms:

- Warranty applies only to electric heaters that have been used
- according to the manual.
- NB! Warranty does not cover heating elements. They are
- considered as consumable parts.
- Warranty does not cover wear that occurs from natural usage
Warranty does not cover defects or wear caused by planned use.
- Warranty does not imply when:
 - damage or defects are caused by transportation or other
 - actions not controlled by manufacturer.
 - product has been damaged by carelessness or overload
 - product has not been installed correctly
 - product has been modified in any way
 - warranty period is over
 - product is not complete

All demands shall be presented directly to reseller or using e-mail for Canada: canada.support@huumsauna.com or for USA: usa.support@huumsauna.com

Find the latest updates on our website www.huumsauna.com