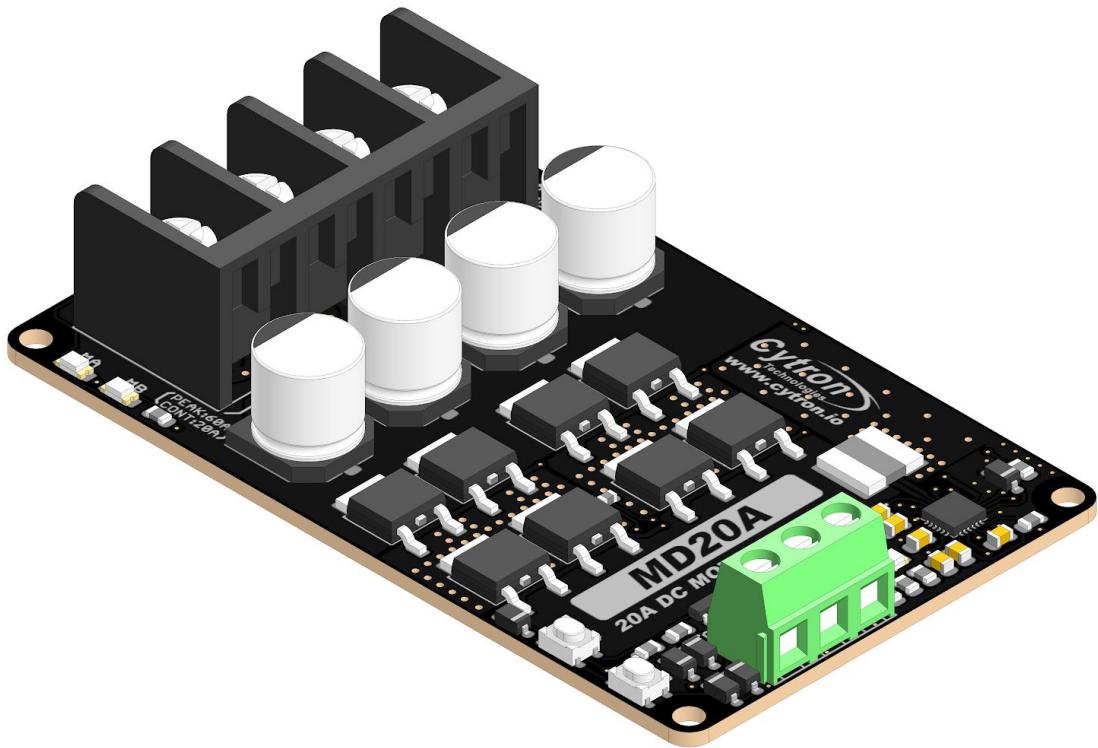




# MD20A

## 20Amp 6V-30V DC Motor Driver



## Datasheet

Rev 1.0  
Feb 2019

Information in this publication regarding device applications and the like is intended through suggestion only and may be superseded by updates. It is your responsibility to ensure that your application meets with your specifications. No representation or warranty is given and no liability is assumed by Cytron Technologies Incorporated with respect to the accuracy or use of such information or infringement of patents or other intellectual property rights arising from such use or otherwise. Use of Cytron Technologies's products as critical components in life support system is not authorized except with express written approval by Cytron Technologies. No licenses are conveyed, implicitly or otherwise, under any intellectual property rights.

# 1. BOARD LAYOUT & FUNCTION

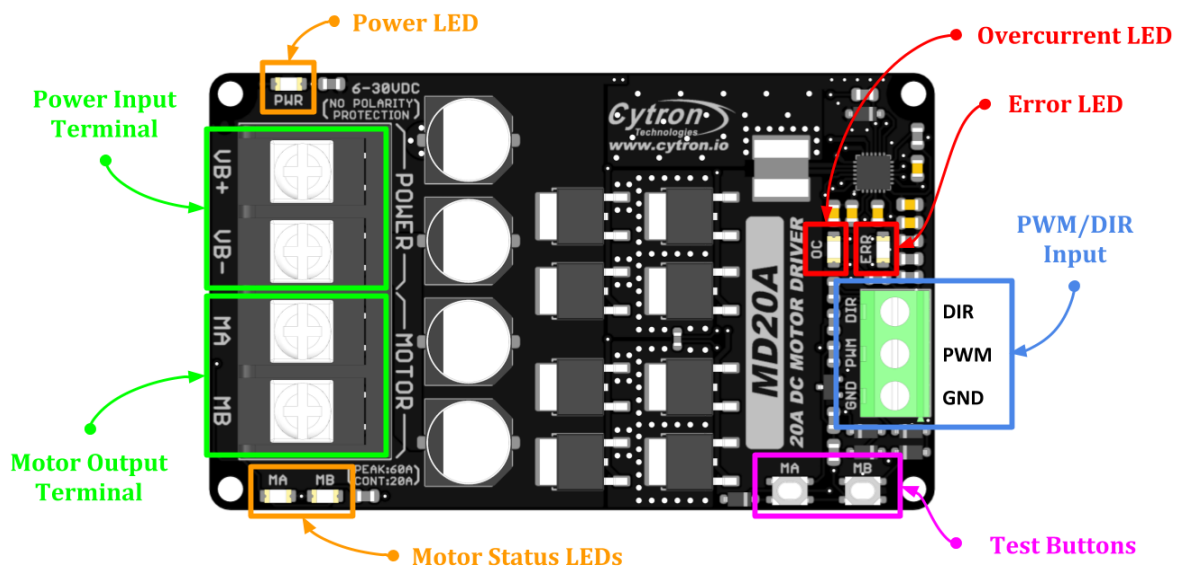


Figure 1: MD20A Board Functions

Function	Description
<b>Power Input Terminal</b>	Connect to battery. <ul style="list-style-type: none"> <li>• VB+ : Positive</li> <li>• VB- : Negative</li> </ul> <i>Warning : Connecting in reverse polarity will damage the motor driver instantaneously.</i>
<b>Motor Output Terminal</b>	Connect to motor terminal. Motor direction is depending on the polarity.
<b>Power LED</b>	Turn on when power up.
<b>Motor Status LEDs</b>	Turn on when the motor is running. <ul style="list-style-type: none"> <li>• MA : Forward*</li> <li>• MB : Backward*</li> </ul>
<b>Error LED</b>	Turn on during undervoltage shutdown or hardware fault. Please contact <a href="mailto:support@cytron.io">support@cytron.io</a> for more information.
<b>OC (Overcurrent) LED</b>	Turn on when current limiting is in action. Current limit threshold is depending on the board temperature.
<b>Test Buttons</b>	Press to test the functionality of the motor driver. Motor will run at full speed. <ul style="list-style-type: none"> <li>• MA : Forward*</li> <li>• MB : Backward*</li> </ul>
<b>PWM/DIR Input</b>	Control the motor with PWM & DIR signal. <ul style="list-style-type: none"> <li>• DIR : Direction input.</li> <li>• PWM : PWM input for motor speed control.</li> <li>• GND : Signal ground.</li> </ul>

Table 1: MD20A Board Functions

\* Actual motor direction is depending on the motor connection.  
 Swapping the connection (MA & MB) will reverse the direction.

## 2. SPECIFICATIONS

No	Parameters	Min	Max	Unit	
1	Power Input Voltage	6	30	V	
2	Maximum Motor Current	Continuous	-	20	A
		Peak * <sup>1</sup>	-	60	A
3	Logic Input Voltage (PWM & DIR)	Low Level	0	0.8	V
		High Level	1.5	15	V
4	PWM Frequency (Output frequency is same as input frequency)	Standard	DC	20	KHz
		Extended * <sup>2</sup>	20	40	KHz

Table 2: MD20A Absolute Maximum Ratings

\*<sup>1</sup> Peak current is limited by the overcurrent protection circuit. Actual current limit is depending on board temperature. Value shown is at room temperature (25 - 30 degree Celsius).

\*<sup>2</sup> When the PWM operates in extended frequency range, continuous motor current will be reduced.

## 3. DIMENSION

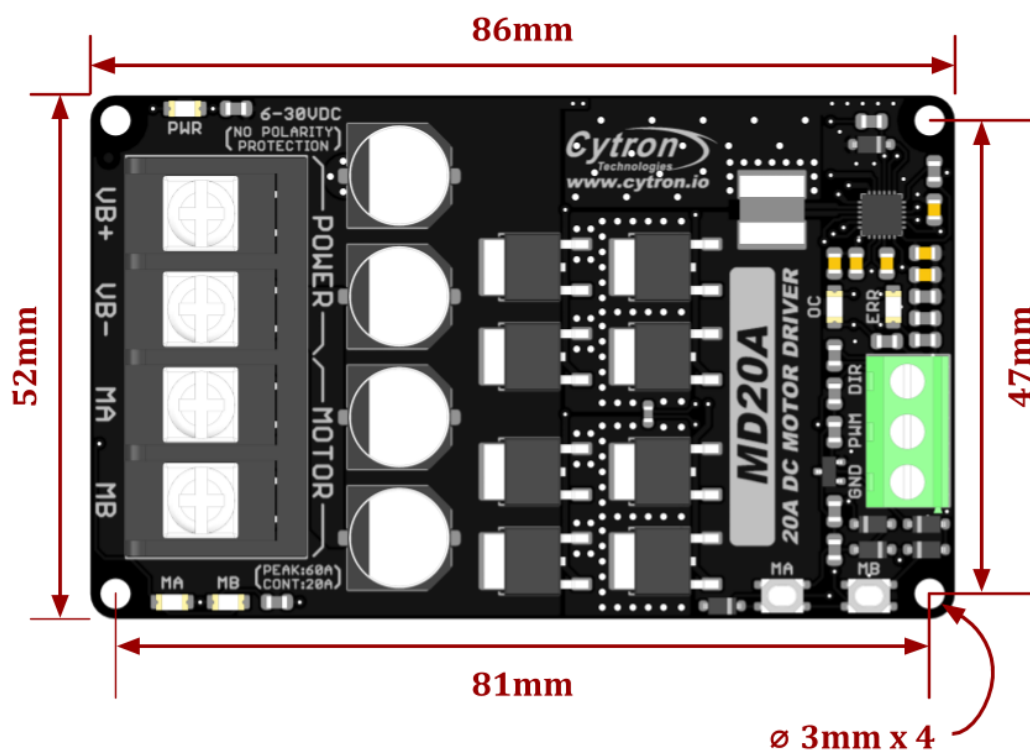


Figure 2: MD20A Dimension

## 4. INTERFACE

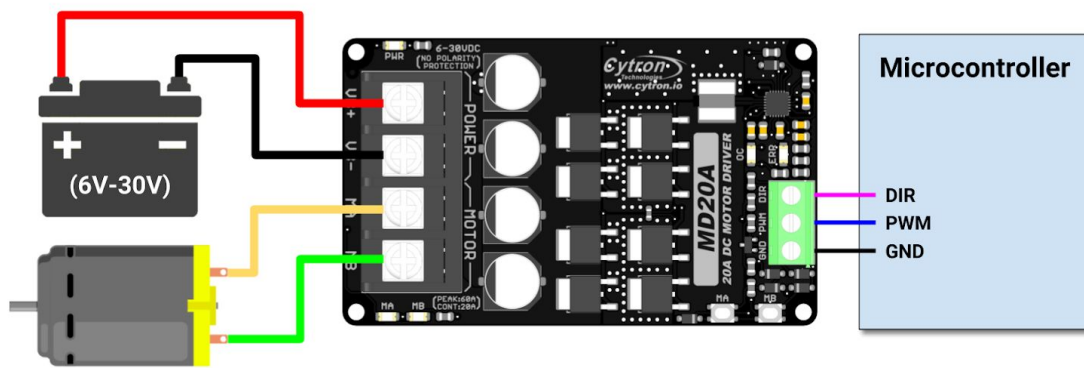


Figure 3: PWM & DIR Input Connection Diagram

PWM	DIR	Output A (MA)	Output B (MB)	Motor
Low	X (Don't Care)	Low	Low	Brake
High	Low	High	Low	Forward*
High	High	Low	High	Backward*

Table 3: PWM/DIR Input Truth Table

\* Actual motor direction is depending on the motor connection.  
Swapping the connection (MA & MB) will reverse the direction.

## 5. PROTECTION FEATURES

- **Overcurrent Protection with Active Current Limiting**

When the motor is trying to draw more current than what the motor driver can supply, the PWM to the motor will be chopped off and the motor current will be maintained at maximum current limit. This prevents the motor driver from damage when the motor stalls or an oversized motor is hooked up. OC LED will turn on when current limiting is in action.

- **Temperature Protection**

The maximum current limiting threshold is determined by the board temperature. The higher the board temperature, the lower the current limiting threshold. This way, MD20A able to deliver its full potential depending on the actual condition without damaging the MOSFETs.

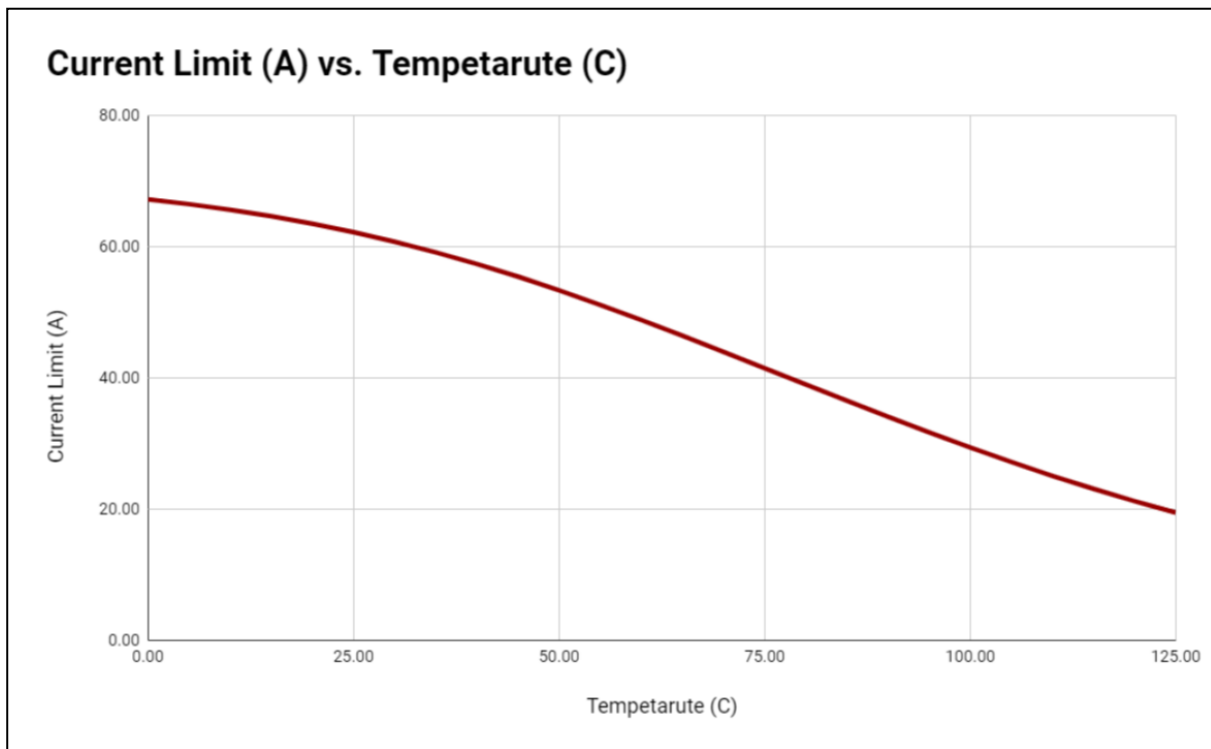


Figure 4: Maximum Current Limit vs Temperature Graph

- **Undervoltage Shutdown**

The motor driver output will be shut down when the power input voltage drops below the lower limit. This is to make sure the MOSFETs have sufficient voltage to fully turn on and do not overheat. ERR LED will turn on during undervoltage shutdown.

*Prepared by:*

***Cytron Technologies Sdn Bhd***

[www.cytron.io](http://www.cytron.io)

No. 1, Lorong Industri Impian 1,  
Taman Industri Impian,  
14000 Bukit Mertajam,  
Penang, Malaysia.

*Tel:* +604 - 548 0668

*Fax:* +604 - 548 0669

*Email:*

[support@cytron.io](mailto:support@cytron.io)

[sales@cytron.io](mailto:sales@cytron.io)