



Stunning outdoor totems; perfect for any weather conditions

Direct Sunlight Readable

Thanks to their commercial grade ultra-high brightness panels (2,500cd/m²), these displays are up to 10 times brighter than a domestic TV and so are easily readable even in direct sunlight.



2,500cd/m²

Vandal Proof

With a 2mm thick mild steel enclosure and 5mm thermally-toughened glass front, these IK10 rated displays are designed to withstand damage that may occur in public spaces. To avoid tampering, controls and inputs are hidden and cannot be accessed by passers-by.

IK10

Impact Resistance

10

Protected against 20 joules of impact



2mm Steel Enclosure
5mm Tough Glass



Weatherproof



Advanced Temperature Control System



Ambient Light Sensor



Internal Locker



Protective UV Film



24/7 Usage



Plug and Play



Vandal Proof Wi-Fi Aerial



Network Upgrade



Customisation Available

Weatherproof

Designed to withstand the elements, these displays are protected against all wet weather conditions and airborne dust particles by their robust IP65 rated enclosure. They also feature a waterproof coating on all internal circuit boards and waterproof over-moulded AV connectors.

IP65

- Dust Resistance
- 6** Protected against dust that may harm equipment.
- Water Resistance
- 5** Protected against water spray from all directions.



Easy Maintenance

These displays use hydraulic cylinders to allow easy front access to the internal components, ensuring that maintenance is simple and straightforward. This is also how you access the displays internal locker where there is space to fit a PC or media player if you wanted to run the screen from an external source.



Ultimate UV Protection

The front glass of the display utilises a special UV treatment that reduces the internal heat of the enclosure by up to 71%; reducing the number of cooling fans needed and increasing the life of your display.



Advanced Temperature Control System

To maximise the lifespan of the display, the internal airflow system keeps the screen running at the optimal temperature regardless of the external conditions. Built-in air conditioning can be tailored to allow the display to work in any climate.



Anti-Reflective Glass

The front glass face is specially treated to help diffuse direct sunlight, making the display easily readable even in bright weather conditions.



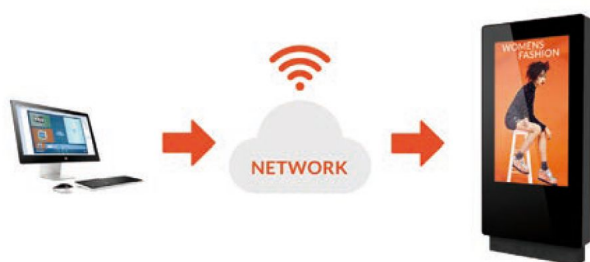
Plug and Play

Plug and Play is the most straightforward way to upload content to the screen. Simply load images and videos onto a USB, insert into the display, wait for your content to copy over and then remove. Your images and videos will now play in a continuous loop.



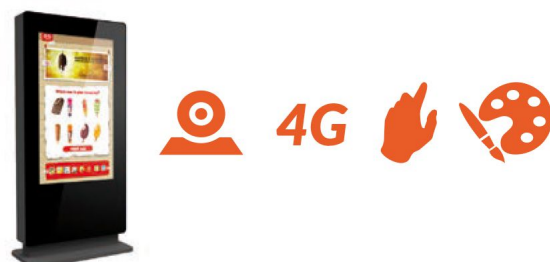
Optional Network Upgrade

For a small charge, you can upgrade your screen to be networked. This will allow you to connect your screen via Wi-Fi, LAN or 4G, and then remotely update it over the internet.



Customisation Available

Bespoke displays can be manufactured to order should you require a non-standard solution, to incorporate a camera or touch screen upgrade for example. We can also modify existing models to add a 4G module for mobile connectivity or a vinyl logo/wrap.





2,500 CD/M²
SUNLIGHT READABLE



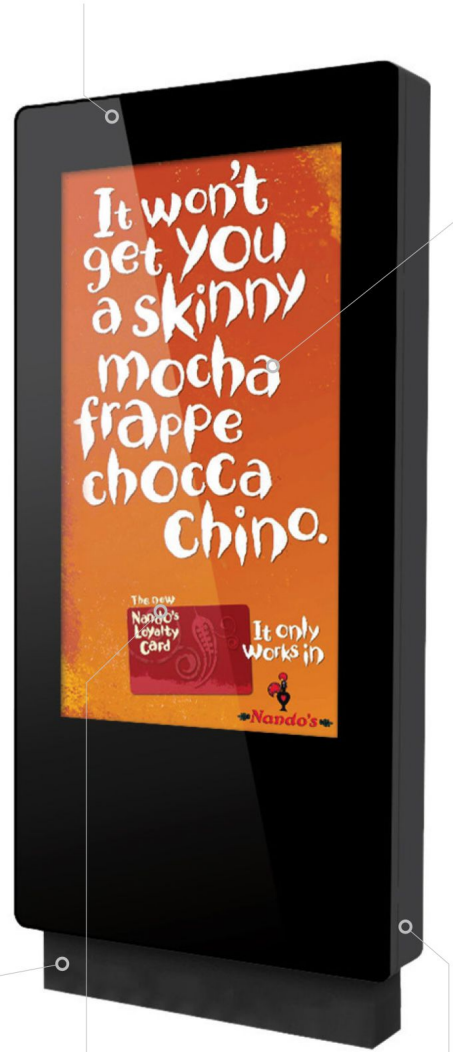
IP65 RATED



IK10 RATED



ANTI-REFLECTIVE GLASS



2MM THICK
STEEL ENCLOSURE



REMOVABLE BASE



PROTECTIVE UV FILM



ANDROID MEDIA PLAYER



WEATHERPROOF



AMBIENT LIGHT SENSOR



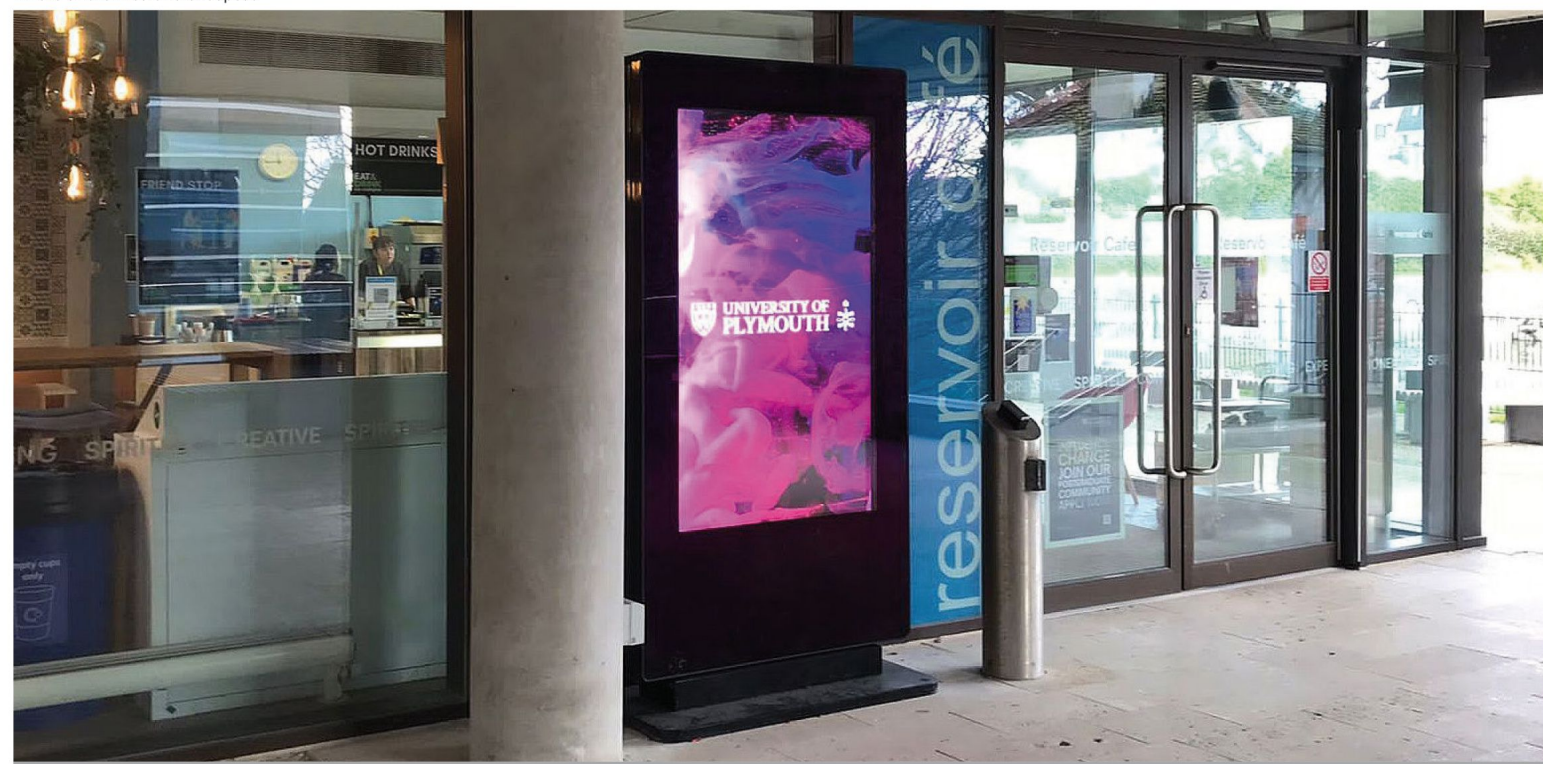
EASY MAINTENANCE

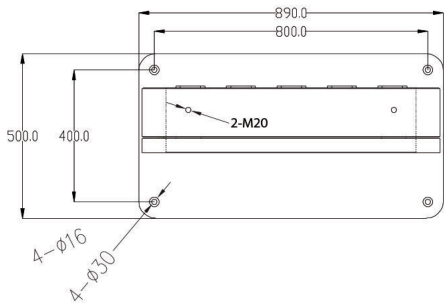
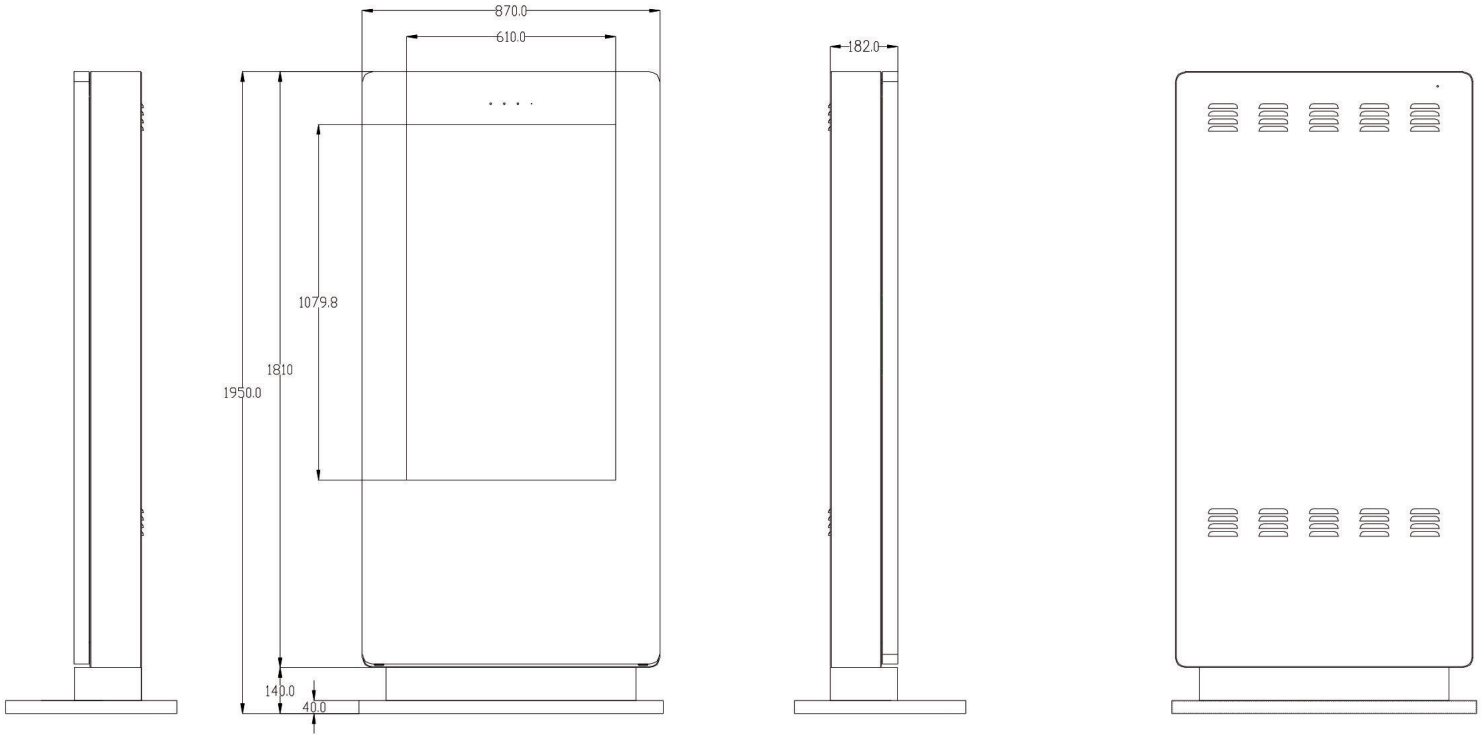


CUSTOMISATION
AVAILABLE

		49 Inch
Panel	Resolution	1080x1920
	Display Area (mm)	1079.8x610
	Aspect Ratio	16:9
	Brightness (cd/m ²)	2,500
	Colour	1.06 B
	Viewing Angle	178°
	Contrast Ratio	8000:1
AV Inputs	Video	HDMI, VGA
Power	Power Consumption (W)	300
	Input Voltage	AC110~240V (50Hz~60Hz)
Mechanical	Unit Size (HxWxD mm)	1950x870x182
	Package Size (HxWxD mm)	2070x1050x400
	Footprint (WxD mm)	890x500
	Net Weight (kg)	166
	Gross Weight (kg)	196
	IK Rating	IK10
Environmental	Operating Temperature:	-20 °C to 50 °C
	Operating Humidity:	10% - 80%
	Storage Temperature:	-30°C - 60°C
	Storage Humidity:	5% - 90%
	Enclosure Protection	IP65
Computer	Media Formats	Video (MPG, AVI, MP4, RM, RMVB, TS), Audio (MP3, WMA), Image (JPG, GIF, BMP, PNG)
	Media Resolution	1080x1920
	Internal Memory	6GB
	CPU	Quad-Core Cortex-A17@1.61GHz
	GPU	Mali-T760 MP4 @600MHz
	RAM	2GB DDR3
	Internal Storage	8GB NAND
	USB	USB2.0 HOST (x2)
	LAN	10/100M Ethernet
	Wi-Fi	802.11b/g/n/ac
	OS	Android 5.1.1
	Graphic Engine	OpenGL ES 1.1/2.0/3.0/3.1, OpenCL 1.1, Renderscript, Direct3D 11.1
	Accessories	Included
Optional		Touch Screen Upgrade, Network Upgrade, Camera
Warranty	Warranty Period	3 Year Warranty
	Technical Support	Lifetime

Errors and omissions excepted





Note: The Ø30 holes are for access, we recommend using M10 anchor bolts that will fit into the Ø16 holes.