



TOP/ELECTRONIC ASSEMBLY

MAGNETIC WINDOWS FOR EASY USE

LED ASSEMBLY

BOTTOM ASSEMBLY

MUST BE SNAP FIT  
NOTCHES ALLOW FOG TO ESCAPE

MUST HOLD LARGE  
VOLUME OF WATER FOR MINIMAL  
HUMAN INTERACTION

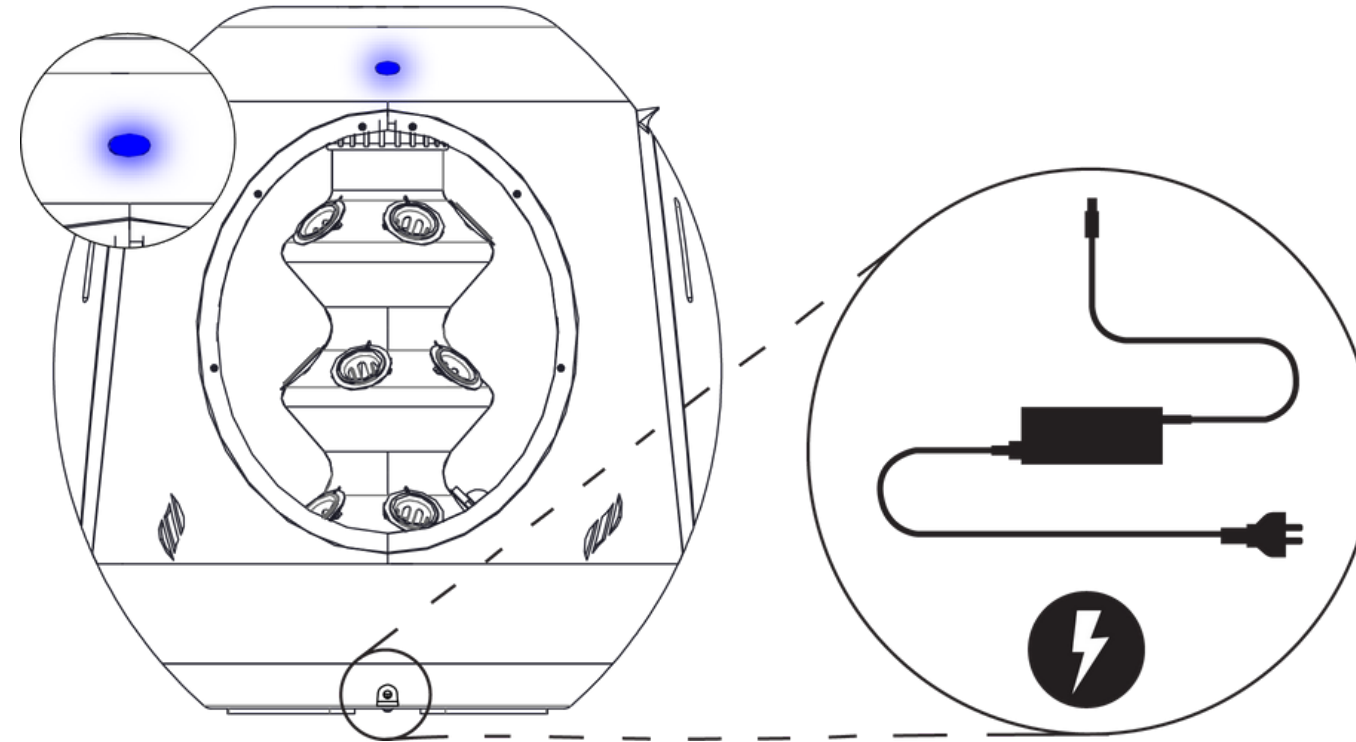
SNAP FITTING CUP  
ASSEMBLY

# REJUVENATE

# GETTING STARTED

## STEP 1

Plug in Rejuvenate and wait until the status light pulses blue



## STEP 2

Download the **Plantaform App** to connect Rejuvenate to the Internet!

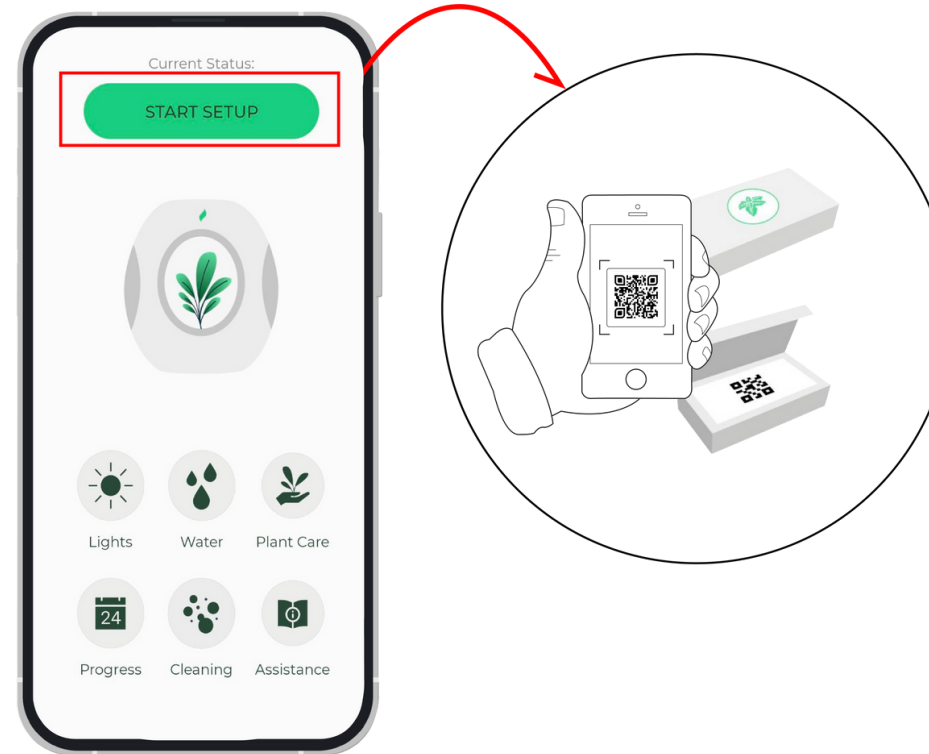


OR

Follow the instructions within the Plantaform User Manual for “**Manual Rejuvenate Control**” to use Rejuvenate offline

## STEP 3

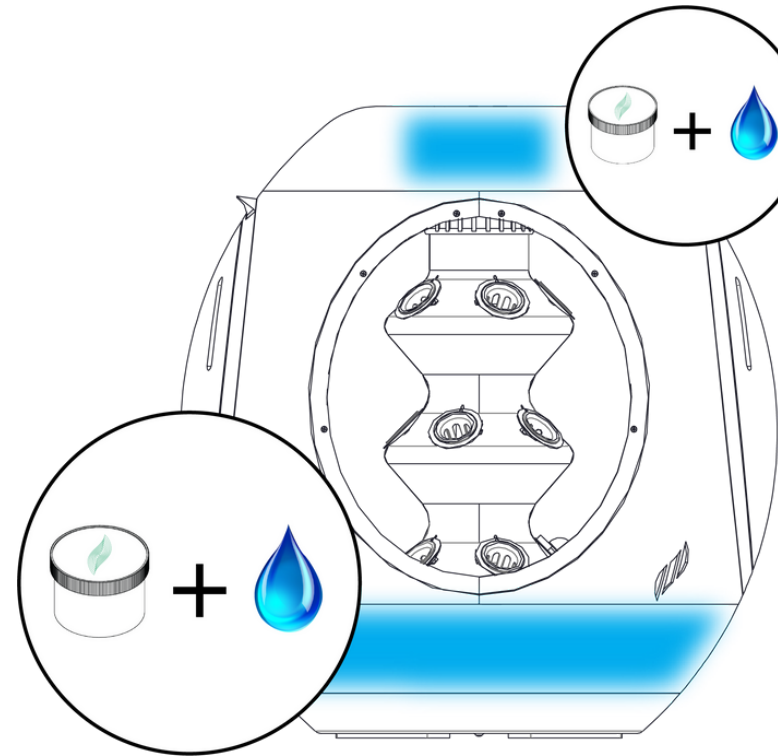
In the Plantaform App, tap on "**Start Setup**" and scan the QR code found inside your Pod Pack



## STEP 4

Add water and nutrients to your Rejuvenate for the "Initial Fill"

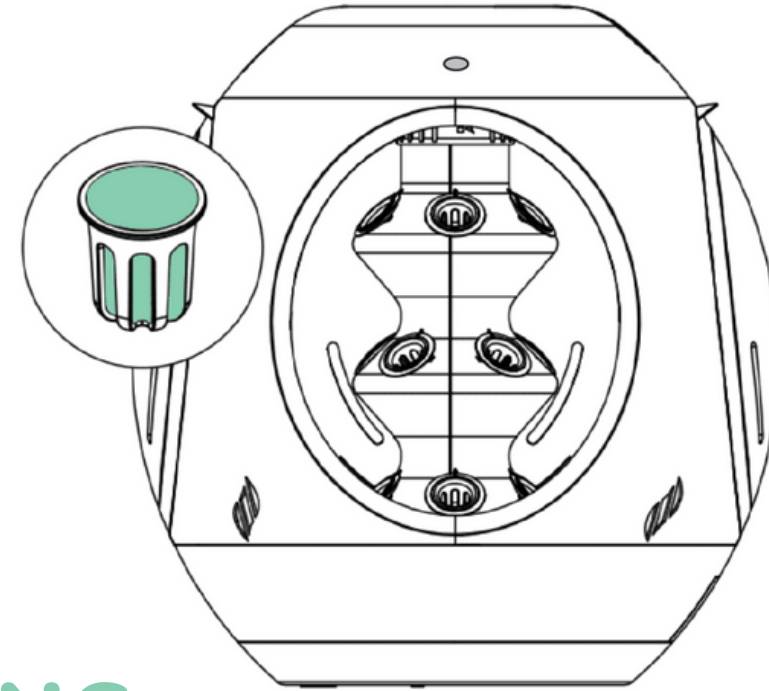
**Bottom Reservoir:**  
**3g** of Nutrients & **7L** of Water



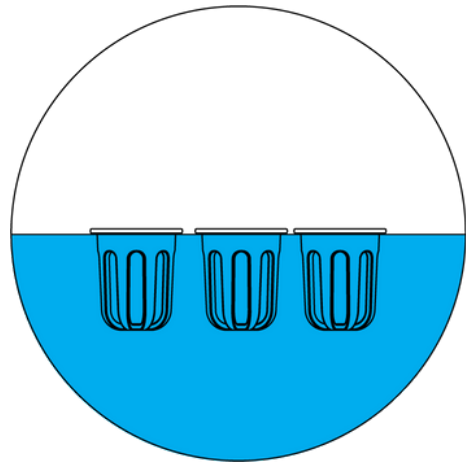
**Top Reservoir:**  
**2g** of Nutrients & **2L** of Water

## STEP 5

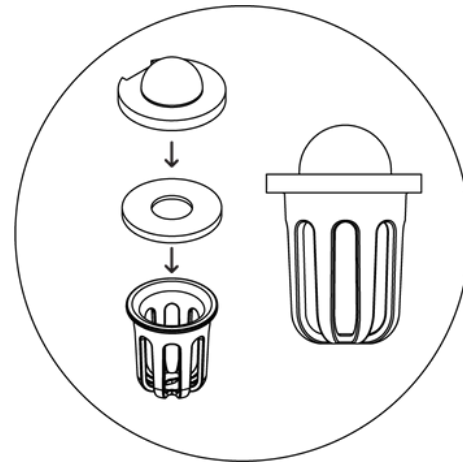
Place all pods into your Rejuvenate after completing the "**Germination Instructions**" steps below:



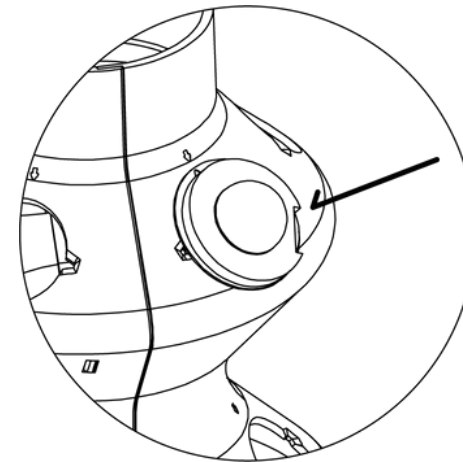
## GERMINATION INSTRUCTIONS



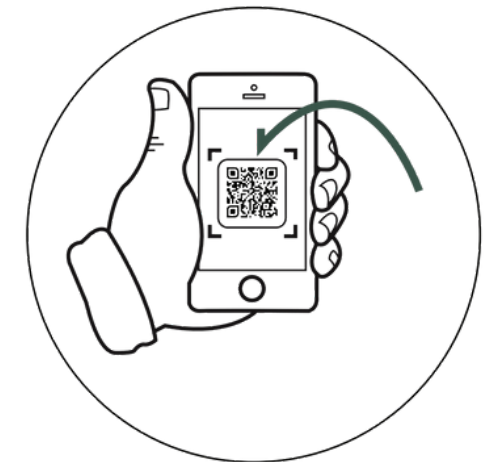
Soak Pods in water  
for 5-10 seconds



Click on Pod covers  
and Germination domes



Place Pods into  
Rejuvenate

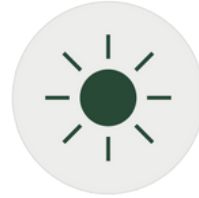
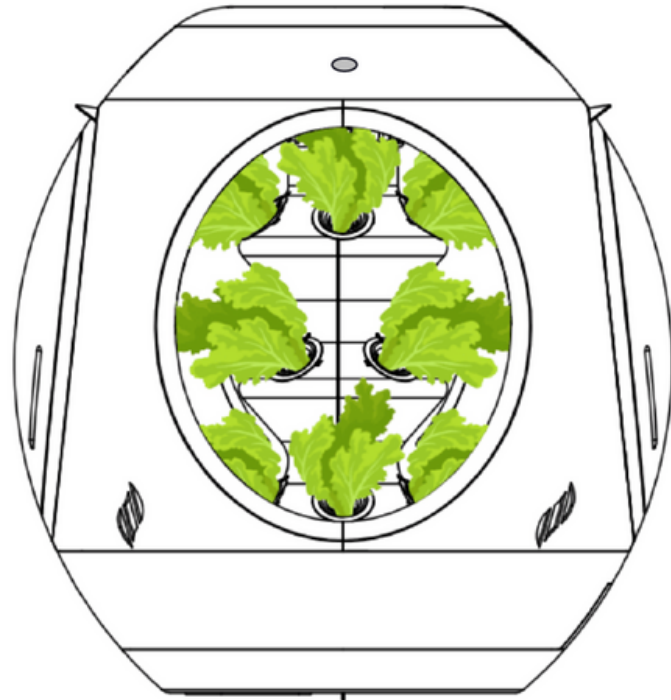


In the Plantaform App,  
scan the QR code  
located in the Pod Pack

## STEP 6

Watch your Rejuvenate grow!

The **Plantaform Application** will notify you with notifications for:



### Lights

Dim lights momentarily and modify lighting schedule



### Water

Monitor water level and get help to refill your Rejuvenate



### Plant Care

Information about plants growing, benefits, and growing tips



### Progress

Estimated time until continuous/final harvest



### Cleaning

Start a guided cleaning process



### Assistance

Learn more about your Rejuvenate and other cultivars