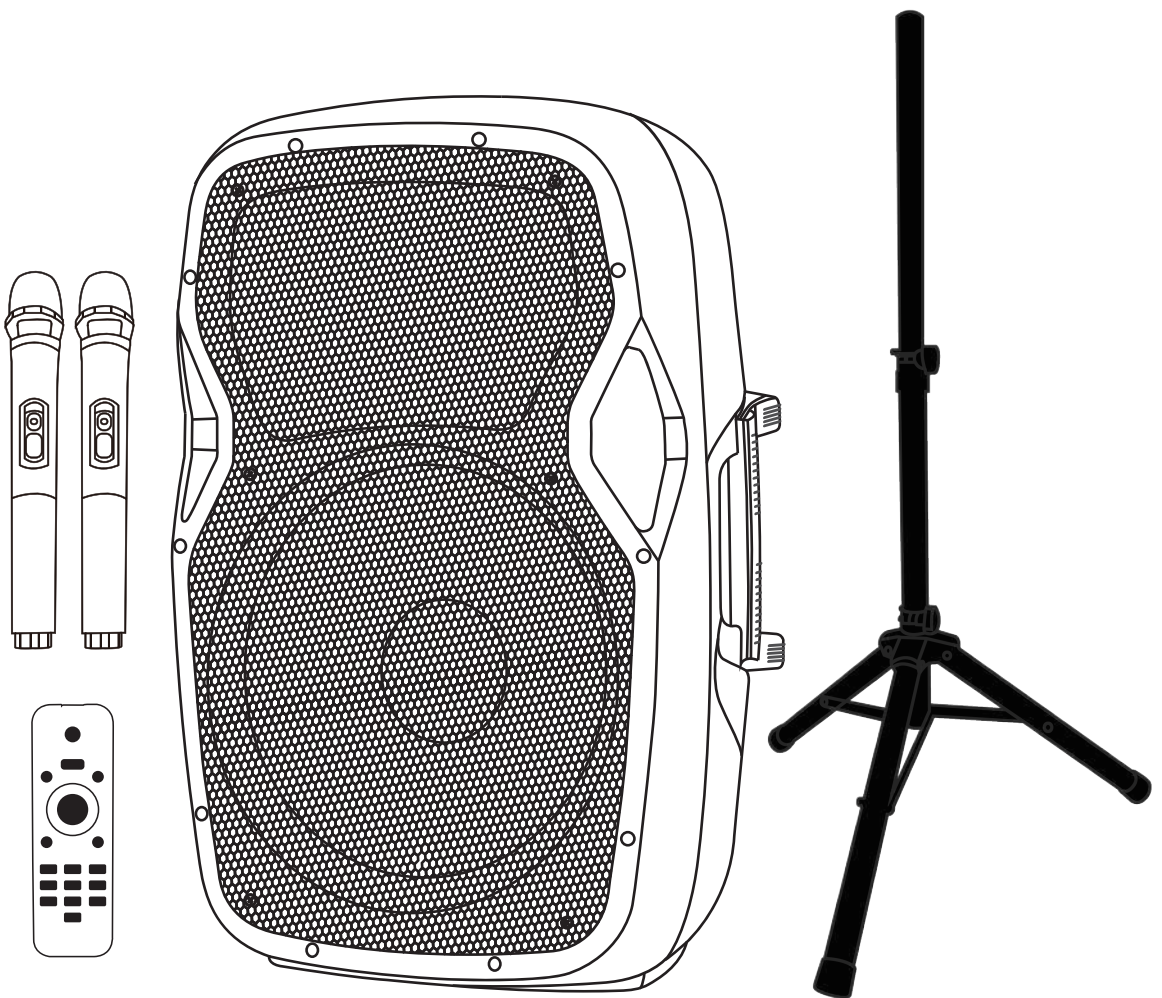


Exoton[®]

<http://exotonaudio.com>

S-1201 VISCOUNT SERIES

12 INCH RECHARGEABLE SPEAKER



FOR MORE INFORMATION, PLEASE FOLLOW
EXOTON'S SOCIAL MEDIA PLATFORM.

User's Manual

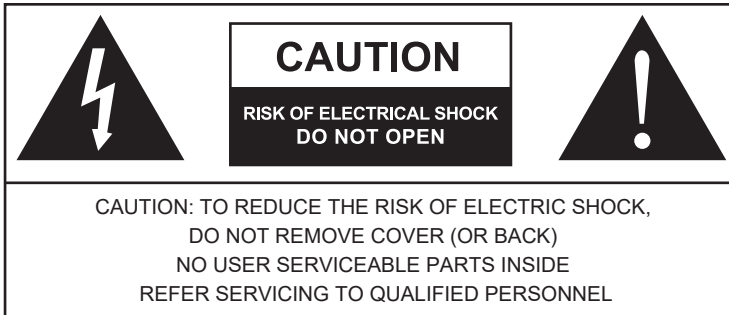
12 INCH RECHARGEABLE SPEAKER

VISCOUNT SERIES

CONTENTS

1.0	IMPORTANT SAFETY INSTRUCTIONS	01
2.0	INTRODUCTION	02
2.1	RECHARGEABLE SPEAKER	02
2.2	FEATURES	02
3.0	ITEM LISTING	03
3.1	QUICK START	03
4.0	REAR PANEL(1)	04
4.1	REAR PANEL(2)	04
4.2	REAR PANEL(3)	04
4.3	REAR PANEL(4)	05
5.0	CONNECTING WITH BLUETOOTH	05
6.0	REMOTE CONTROL DESCRIPTION	06
6.1	TIPS ON USING THE REMOTE CONTROL	06
7.0	DESCRIPTION OF MICROPHONE	07
7.1	INSTRUCTION FOR SPEAKER TRIPOD	07
8.0	S-1201 SPECIFICATIONS	08
8.1	S-1201 SIZE	08
9.0	TROUBLESHOOTING	09
10.0	TO PURCHASE ADDITIONAL GEAR AND ACCESSORIES	10
10.1	SERVICE AND REPAIR	10
10.2	WARRANTY INFORMATION	10
10.3	CUSTOMER SERVICE AND TECHNICAL SUPPORT	10

1.0 IMPORTANT SAFETY INSTRUCTIONS



The lightning flash with arrowhead symbol, within an equilateral triangle, is intended to alert the user to the presence of uninsulated "dangerous voltage" within the product's enclosure that may be of sufficient magnitude to constitute a risk of electric shock to persons.



The exclamation point within an equilateral triangle is intended to alert the user to the presence of important operating and maintenance (servicing) instructions in the literature accompanying the appliance.

WARNING: To reduce the risk of electric shock, do not remove cover (or back). No user-serviceable parts inside. Refer servicing to qualified service personnel. To reduce the risk of fire or electric shock, do not expose this appliance to rain or moisture.

CAUTION: Use of controls or adjustments or performance of procedures other than those specified may result in hazard.

1. Read these instructions before operating this apparatus.
2. Keep these instructions for future reference.
3. Heed all warnings to ensure safe operation.
4. Follow all instructions provided in this document.
5. Do not use this apparatus near water or in locations where condensation may occur.
6. Clean only with dry cloth. Do not use aerosol or liquid cleaners. Unplug this apparatus before cleaning.
7. Do not install near any heat sources such as radiators, heat registers, stoves, or other apparatus (including amplifiers) that produce heat.
8. Protect the power cord from being walked on or pinched particularly at plug, convenience receptacles, and the point where they exit from the apparatus.
9. Unplug this apparatus during lightning storms or when unused for long periods of time.
10. Refer all servicing to service personnel. Servicing is required when the apparatus has been damaged in any way, such as power-supply cord or plug is damaged, liquid has been spilled or objects have fallen into the apparatus, the apparatus has been exposed to rain or moisture, does not operate normally, or has been dropped.
11. When a cart is used, use caution when moving the cart/apparatus combination to avoid injury from tip-over.
12. When unplugging the product from a main outlet, always pull the plug, never the lead.
13. Don't repeatedly switch the product on and off. This shortens the life of the product.
14. Keep the product out of the reach of children or pets. Do not leave the product unattended.

2.0 INTRODUCTION

Congratulations on your purchase of the S-1201 Viscount Series rechargeable battery powered speaker. EXOTON viscount series have an attractive impact-resistant design. The molded enclosure is made of highly durable polypropylene, which is designed for parties, meetings, indoor or outdoor performances. FCC ID: 2AWLTYANKA2020

2.1 RECHARGEABLE SPEAKER

The S-1201 Viscount Series speaker have more powerful and better quality sound. The S-1201 speaker has a complete professional PA system. Rounding off this system is A speaker stand which you can mount your speaker, a microphone and all the necessary connecting cables which you can start your party right out of the box. In addition, this speaker belongs to rechargeable speaker, built-in battery, can be used at any time after charging, feel the charm of music all the time. The S-1201 are ideal for DJ applications, karaoke and party or live music gigs.

The S-1201 speaker has bluetooth function, can input USB, TF card. The system is optimized to deliver plenty of bass, clean mids, and crisp highs. Equipped with a master volume knob, you can continuously control the music. Separate bass and treble controls are also included so you can customize your sound-stage.

The built in USB input and TF input are great options for playing back any of your stored music on USB or TF cards. Bluetooth is a great feature for powered pro audio speakers because it allows you to easily and wireless stream your music from any Bluetooth enabled MP3 player or phone. Also included in the MP3 section of the unit is a built-in FM radio.

2.2 FEATURES

P.M.P.O:1600W

12" Woofer

Voltage: 110V-240V

Portable retractable handle+wheels

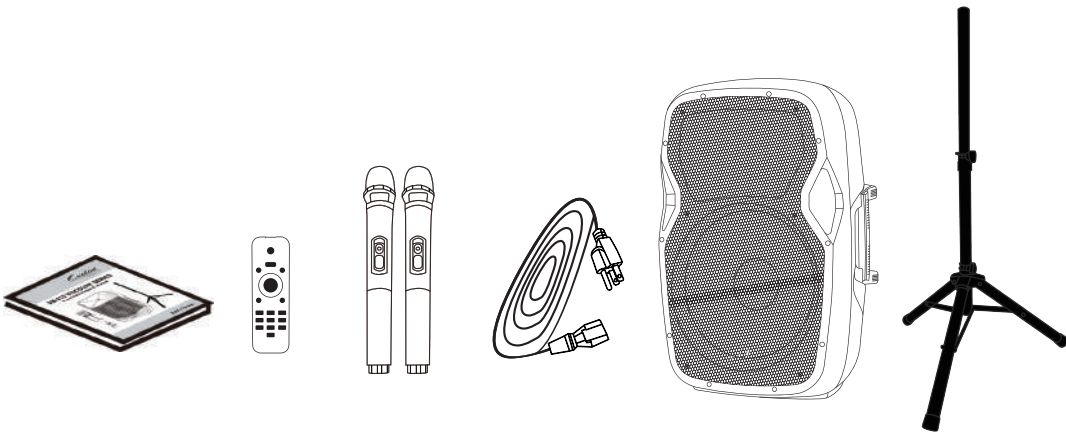
Remote Control

USB/FM/TF/AUX

Bluetooth/TWS Function

With independent switch 7 color LED lights

Folder Function



3.0 ITEM LISTING

EXOTON S-1201 Viscount Series 12 INCH RECHARGEABLE SPEAKER

- 1*Rechargeable speaker
- 1*Power cord
- 2*Wireless microphone
- 1*Remote control
- 1*User's manual
- 1*Tripod

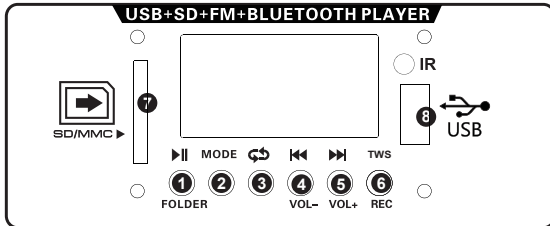
CAUTION! Immediately upon receiving the product, carefully unpack the carton, check the contents to ensure that all parts are present, and have been received in good condition. Notify the shipper immediately and retain packing material for inspection if any parts appear damaged from shipping or the package itself shows signs of mishandling. Save the package and all the packing materials. In the event that the product must be returned to the Amazon warehouse, it is important that the product be returned in the original factory box and packed.

If the device has been exposed to drastic temperature fluctuation (eg, after transportation), do not switch it on immediately. The arising condensation water might damage your device. Leave the device switched off until it has reached room temperature.

3.1 QUICK START

1. Ensure that the POWER and LIGHT switches are off (down), Turn all the volume controls all the way down (counterclockwise).
2. Plug in the power cord.
3. Switch on the S-1201 power switch.
4. Press the MODE button to adjust to Bluetooth mode.
5. Turn on the microphone, the microphone will automatically connect to the speaker.
6. Slowly turn up the level control on the until you achieve the desired volume.
7. If there is no sound, first turn the S-1201 level control all the way down before investigating. When you think you have solved the problem, then repeat step 6 again. Follow Step 7 every time you troubleshoot until you solve the problem.

4.0 REAR PANEL (1)



1. PLAY/PAUSE BUTTON

Short press to start or pause play. Long press to enter the folder function.

2. MODE BUTTON

Press to change modes between playing FM, USB, MP3 and Bluetooth.

3. LOOP MODE

Press this button to adjust how the audio loops.

4. PREVIOUS BUTTON

Press to go to the previous track. Press and hold to scan backwards within tracks.

5. NEXT BUTTON

Press to go to the next track. Press and hold to scan forwards within tracks.

6. REC/TWS

Insert the SD card or TF card into the card slot, Press and hold to start the recording function. Long press this button in Bluetooth mode to enter TWS pairing mode.

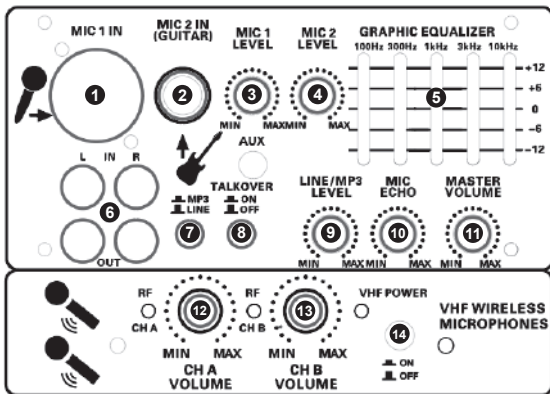
7. SD SLOT

Insert an SD card to read data from it.

8. USB SLOT

You can play media files from a USB device by connecting the device to this slot.

4.1 REAR PANEL (2)



1. MIC 1 IN

This connector can either take a 6.3mm Jack balanced or an XLR balanced cabled microphone

2. MIC 2 IN(GUITAR)

TWO 6.3mm jack inputs for connecting guitars

3. MIC 1 LEVEL

Controls the microphone input volume

4. MIC 1 LEVEL

Controls the microphone input volume

5. EQ:5 BAND EQ CONTROL

Adjust the amount of each frequency component in the sound signal to obtain the desired emphasis effect

6. OUTPUT/INPUT JACK

Connect DVD or other devices for audio output/input

7. MP3/LINE

Switch for MP3 and microphone conversion

8. TALKOVER

Switch to toggle talk and conference mode

9. LINE/MP3 LEVEL

MP3 and Mic Conversion Control Volume Knob

10. MIC ECHO

Controllable microphone echo knob

11. MASTER VOLUME

Adjust the total volume

12. CH A VOLUME

Wireless microphone volume knob

13. CH B VOLUME

Wireless microphone volume knob

14. VHF WIRELESS MICROPHONES

Control the wireless microphone on and off

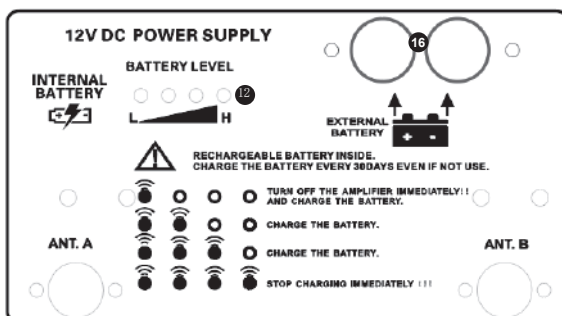
12. BATTERY LEVEL

Battery level indicator

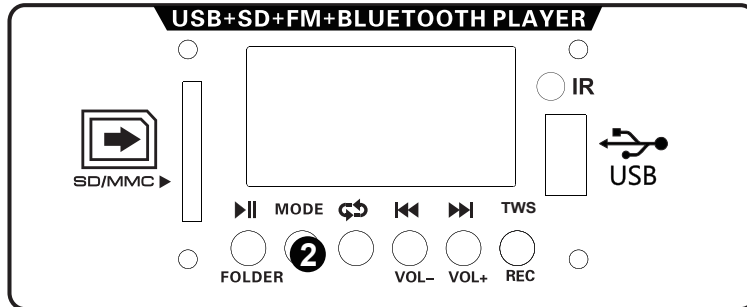
16. EXTERNAL BATTERY

The power cord goes into this jack to charge the speaker battery

4.2 REAR PANEL (3)



5.0 CONNECTING WITH BLUETOOTH



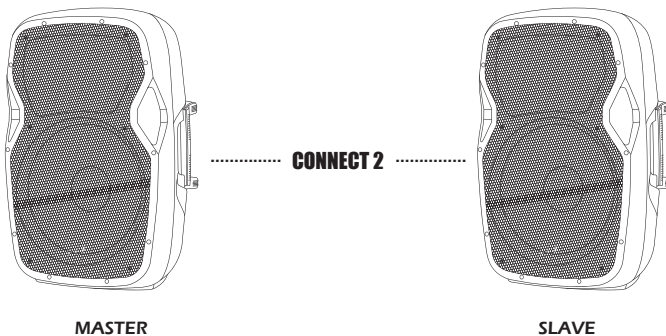
1. Activate the BT-function on your device (Mobile phone, tablet etc.) from which you want to play the music. See the operating instructions for that device.

2 Press the "2" button and activate BT-function.

3. Select the Bluetooth name "EXOTON" on your device to connect.

5.1 TWS CONNECTION

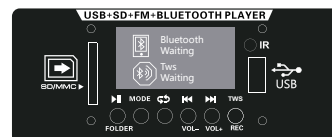
TWS function replaces speaker cable



MASTER

SLAVE

1. You'll need two S-1201 speakers or two TWS-enabled speakers.
2. Turn on both speaker.
3. Press MODE button to transfer the speaker under Bluetooth mode.



4. Press the TWS button for 3-5 seconds, and then automatically match. Attention! Bluetooth of mobile phone cannot be turned on before operation. Otherwise TWS will not be available.



6.0 REMOTE CONTROL DESCRIPTION

1.STANDBY ON

Switch on or off the speaker.

2.MODE

Press to change modes between playing FM, USB, AUX or Bluetooth.

3.STOP

Press to pause/resume sound playback.

4.MUTE

Press to mute the sound.

5/6.VOL +/-

Adjust the volume

7.Previous track ◀◀

8.Next track ▶▶

9.Music play/pause ▶■

10.RPT

No function.

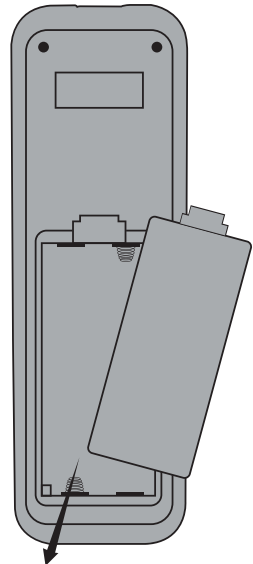
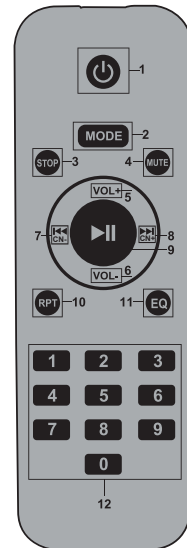
11.EQ

Press to switch between indoor and outdoor modes.

12.Number keys

The remote control has 10 keys ranging from 0 to 9. In the music playing state, press the number key to enter the music it represents. For example if the number "8" in your playlist is "8", pressing the "8" key will play the music represented by the number "8".

Note: The included remote control has two 3A batteries. To ensure that the battery is not dangerous due to leakage there will be placed batteries separately in the package. If you find that the batteries don't work, you need to purchase the matching 3A battery. You can buy it easily at a nearby store. The remote won't work unless you have the battery installed correctly in positive and negative directions!



Battery Placement

6.1 TIPS ON USING THE REMOTE CONTROL

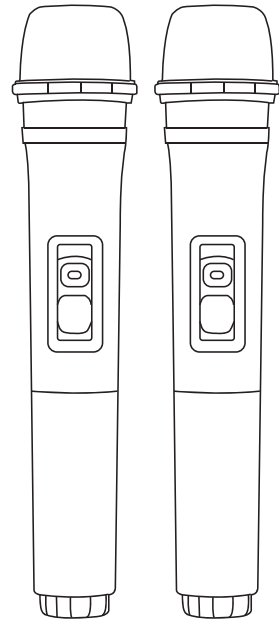
Certain conditions (such as indoor lighting, furniture that interferes with the signal path, or direct sunlight) can interfere with how the remote works.

If the remote doesn't work:

- . The battery is not installed or properly installed.
- . Point the remote control directly at the right speaker receiving the signal from the remote control.
- . Dim lights or move speakers in the room to avoid direct sunlight.
- . When you use the remote control, stay close to the system.
- . If the problem persists, replace the battery on the remote control.

7.0 DESCRIPTION OF MICROPHONE

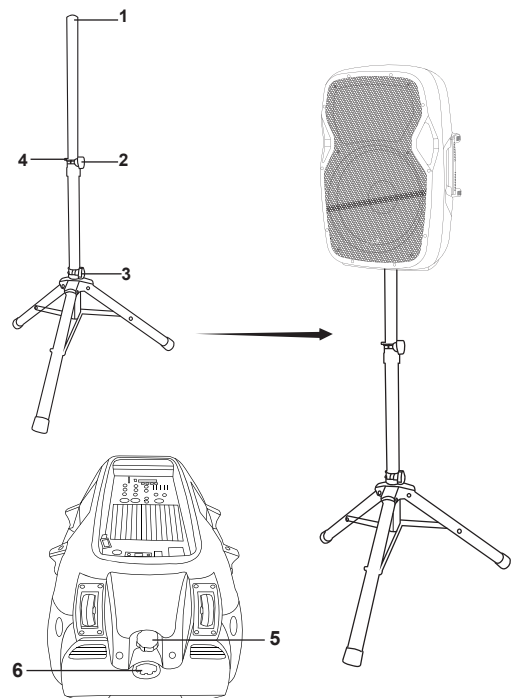
1. Connect the microphone to the speaker
Turn on the microphone, it will automatically connect to the rechargeable speaker, no other operations are required.
2. Instructions for using the microphone
 - (1) Yelling may occur when covering the microphone head with your hand or holding the microphone close to the speaker. In this case, the first step is to reduce the volume. Then make a distance between the microphone and the speaker. Finally try to position the microphone against the speaker.
 - (2) Because of the microphone's high sensitivity, care must be taken not to fall from the height, impact or give a strong impact.
 - (3) The microphone should be stored in a dry, clean place when it is not in use. Avoid storage or use in high temperature and humidity, so as not to affect sensitivity and timbre.



7.1 INSTRUCTION FOR SPEAKER TRIPOD

Steps for installing sound box support

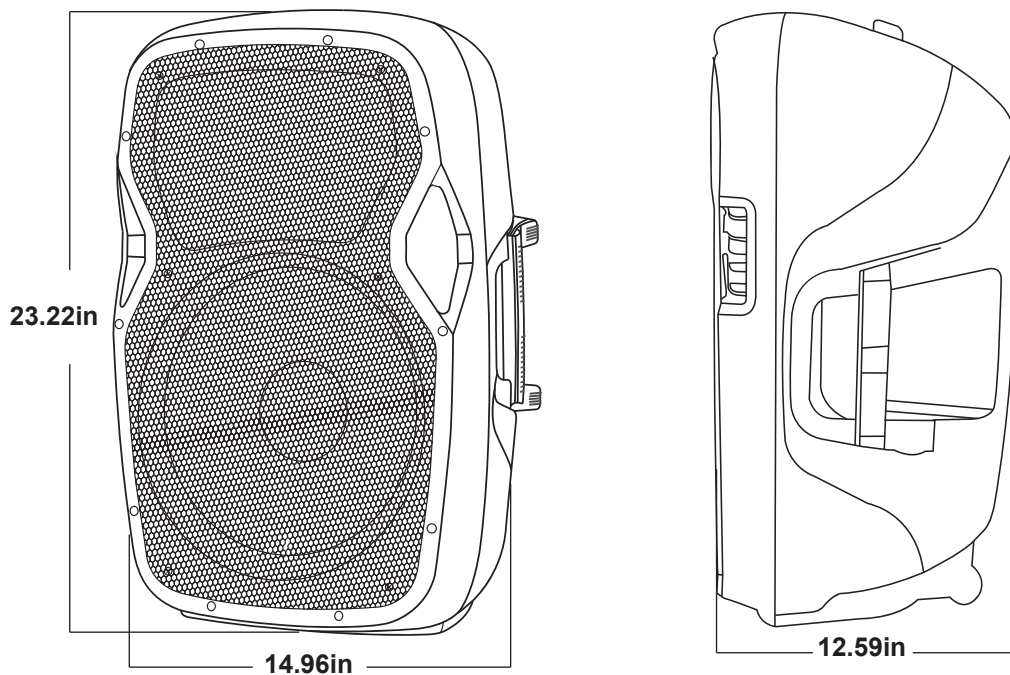
- (1) Turn the knob on the bracket 2/3 counterclockwise, and then adjust the bracket to a suitable height and tighten the lock clockwise.
- (2) Insert 4 into the bracket jack to fix.
- (3) Turn the knob 6 at the bottom of the speaker counterclockwise.
- (4) Insert jack 1 of the tripod into jack 6 at the bottom of the speaker. After the installation is stable, lock the thick button 5 clockwise.



8.0 S-1201 SPECIFICATIONS

Model name	S-1201
Frequency response	45-20K hz
Coverage	H90°× V60°
P.M.P.O	1600W
Sensitivity 1w/1m	96db
Peak spl	113db
Driver size	12"
Coil size (mm/l _n)	1.5", metal basket: 0.7mm, T-yoke/top-plate: 6mm press cone, magnet: 40 oz, impedance: 3.6 ohm
H.f. section	1"
Coil size (mm/l _n)	1",, 8 ohm 12OZ
H.f. protection	Active crossover
Crossover section	2 way
Finish colour	black
Protect corner	foam
Handle	plastic
Input connector	rca,6.35jk,xlr,AUX
Dimension (h x w x d)	17.71*12.35*26.18 inch
Weight (kgs)	16.5kg

8.1 S-1201 SIZE



9.0 TROUBLESHOOTING

Refer to the chart below if the speaker does not function properly. If the problem you are experiencing is not listed, or if the instructions fail to help you resolve the problem, disconnect the power cord and contact us immediately.

Problem	Cause	Solution
No power supply is provided even if the power plug is in the open position.	The power plug is not securely connected or there is no safety connection.	Attach the power plug firmly or reattach it securely.
	The connected socket is not energized.	Replace energized sockets.
No sound.	The audio signal has not been connected to the audio source input interface behind the speaker.	Connect the audio signal correctly to the audio input interface behind the speaker.
	The audio source device is not enabled.	Ensure that all audio source devices are powered on and functioning properly.
	The VOLUME control is set to 0.	Turn the VOLUME control on clockwise.
Sound quality deteriorates.	Connection error.	1. Check whether the audio signal cable is correctly connected to the output port of the audio source device.
	Loudspeaker failure.	2. Check whether all the speakers on the speaker box are making sound. If there is no sound, contact us immediately.
	Poor contact.	3. Check whether the connector of the speaker is oxidized and whether the terminal of the speaker is loose.
Sound level is too low.	You are playing an underbass source.	Change the correct audio source.
	The volume control is set too low.	Turn the volume control clockwise to a suitable level.
The remote control does not control the hoist.	The battery is not installed correctly.	Install the battery correctly.
	The remote control is too far from the speaker.	Shorten the distance between remote control and speaker
	Battery failure caused by long service time.	Replace a new battery.

10.0 TO PURCHASE ADDITIONAL GEAR AND ACCESSORIES

To purchase EXOTON other products , please contact us at “sales@hyaudio.com.cn”
Our other product list please visit: <https://exotonaudio.com> ([https://www.facebook.com /profile.php?id=100078949422393](https://www.facebook.com/profile.php?id=100078949422393)) . You can also contact us directly through Amazon and we will help you find the item you want.

10.1 SERVICE AND REPAIR

For spare parts, service and maintenance, please contact us at “sales@hyaudio.com.cn” to purchase additional replacement parts or for other maintenance related matters. The company does not issue service manuals to users, and users are advised not to attempt any self-maintenance. Because doing so would void all warranties. If you have any question, also can visit our website to find the answers:<https://exotonaudio.com> (<https://www.facebook.com/profile.php?id=100078949422393>)

10.2 WARRANTY INFORMATION

EXOTON is committed to providing the best warranty service for each product. From the date of original purchase, EXOTON provides a warranty of 1 year for any material or workmanship problems arising out of strict compliance with the instructions. EXOTON may repair the product within this warranty period. Products without purchase certificate will not be accepted for return, and warranty service. The warranty service is limited to problems arising from normal use. Users should strictly follow the instructions for correct use. Any wanton damage or unauthorized maintenance of the machine, accident, wrong use, human negligence, etc., will not be accepted by the warranty scope. In addition, the guaranteed repair is only valid for purchase in the Brand's Amazon store or brand website store. If you have other questions, please visit: <https://exotonaudio.com>

10.3 CUSTOMER SERVICE AND TECHNICAL SUPPORT

You are welcome to visit our website at <https://exotonaudio.com>. (<https://www.facebook.com/profile.php?id=100078949422393>) From this website, you can get answers to frequently asked questions, technical guidance, return instructions and other helpful information. We do our best to respond to your inquiry within one business day.

<https://ExotonAudio.com>



FOR MORE INFORMATION, PLEASE FOLLOW
EXOTON'S SOCIAL MEDIA PLATFORM.