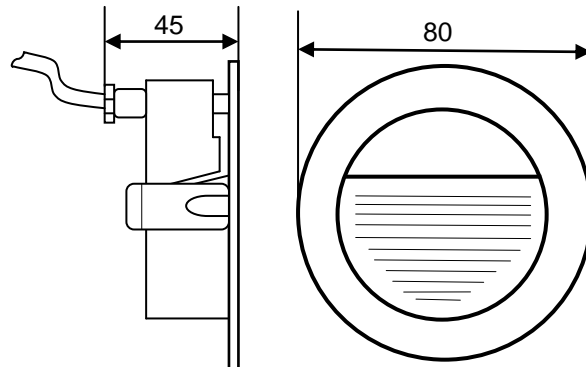


## Data Specification Sheet



### NH020 IP54 Round LED Recessed Guide Light

<b>Code</b>	NH020B NH020W
<b>Description</b>	IP54 Round LED Recessed Guide Light White or Blue LED
<b>Finishes available</b>	White
<b>Overall dimensions (mm) Length -Diameter</b>	As above Sleeve:- 75mm diameter. 50mm long
<b>Cut-out</b>	75mm
<b>Product Weight</b>	144grams
<b>Recommended product location</b>	Indoor or Outdoor (Not recommended for food preparation areas)
<b>Lamp Supplied</b>	Yes non-replaceable LED
<b>Voltage (V)</b>	230V
<b>Maximum Lamp Wattage (W)</b>	1.2 Watts
<b>Lumen Output</b>	85Lm
<b>Class</b>	Class II. Must not be Earthed
<b>IP</b>	IP54
<b>Distance from lighted object</b>	n/a
<b>Photometric Testing</b>	Not available
<b>Instruction sheet</b>	Yes
<b>Origin of manufacture</b>	China
<b>Main materials:</b>	
• <b>Body</b>	Die-cast aluminium
• <b>Clips</b>	Pressed Steel
• <b>Sleeve</b>	Polycarbonate
<b>Method of fix</b>	Recessed
<b>Lamp type and base</b>	6 x SMD LED
<b>Electrical Connections</b>	Direct fixed cable 300mm (supplied)
<b>Cable rating (mm SQ /C.S.A.) &amp; type</b>	2core 0.75mm H05RN-F
<b>CE mark</b>	Yes
<b>Quality Assurance System</b>	Yes ISO 9001 QMS
<b>Batch coding details on product</b>	Yes
<b>Certificate of Conformity (Held on File)</b>	Yes
<b>Manufactured in accordance to:</b>	EN60598
<b>Warranty</b>	1 year