



# HF-Performer III for TL-D lamps

## HF-P 258 TL-D III 220-240V 50/60Hz IDC

HF-Performer III TLD is a sustainable, slim and high-frequency electronic ballast for TL-D fluorescent lamps. It is ideal for applications where high energy efficiency is required. The HF-Performer III range has a robust design, meets all relevant international safety and performance standards and is energy-efficient (CELMA EEI A2).

### Product data

Operating and Electrical	
Input Voltage	220 to 240 V
Line Frequency	50 to 60 Hz
Input frequency	50 to 60 Hz
Inrush current width	0.35 ms
Power Factor (Fraction)	0.99
Inrush current peak (max.)	28 A
Number of products on MCB (16 A type B) (nom.)	12

Wiring	
Connector type input terminals	WAGO 251 universal connector [Suitable for both automatic wiring (ALF and ADS) and manual wiring]
Connector type output terminals	WAGO 251 universal connector [Suitable for both automatic wiring (ALF and ADS) and manual wiring]

Temperature	
Ambient temperature range	-25°C to 60°C

T-case lifetime (nom.)	80 °C
T-Case maximum (max.)	80 °C

Mechanical and Housing	
Housing	L 280x30x28

Approval and Application	
Ingress protection code	IP20 [Finger-protected]
Energy efficiency index	A2 BAT
Safety standard	IEC 61347-2-3
Environmental standard	ISO 14001
Approval marks	CE marking ENEC certificate VDE-EMV certificate

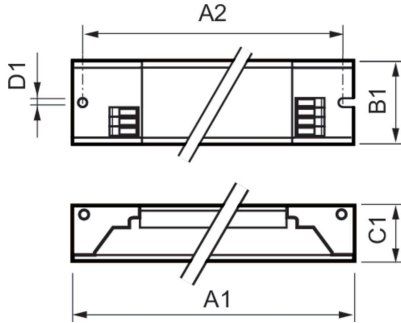
Product Data	
Order product name	HF-P 258 TL-D III 220-240V 50/60Hz IDC
Full product name	HF-P 258 TL-D III 220-240V 50/60Hz IDC
Full EOC	872790091172500
Order code	91172500
Material no. (12 NC)	913713031966

## HF-Performer III for TL-D lamps

Local order code	HFP258TLDIII
SAP numerator – quantity per pack	1
EAN/UPC – Product/Case	8711500999726
Numerator – packs per outer box	12

EAN/UPC - Case	8727900911725
----------------	---------------

### Dimensional drawing



Product	D1	C1	A1	A2	B1
HF-P 258 TL-D III 220-240V 50/60Hz IDC	4.2 mm	28.0 mm	280.0 mm	265.0 mm	30.0 mm

