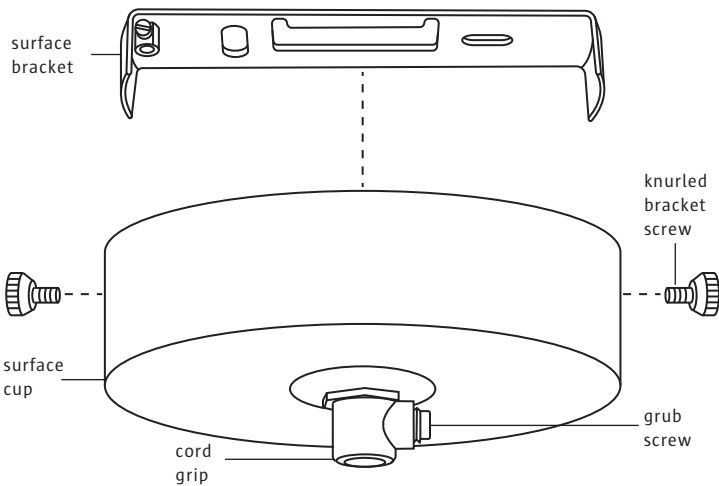
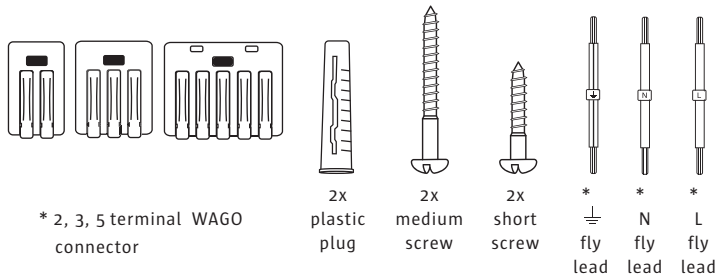


# URBAN COTTAGE INDUSTRIES

## MULTI OUTLET | 1-8 WAY



### WHAT'S INCLUDED



\* Quantities as per wiring diagrams

### USER INSTRUCTIONS

#### TOOLS REQUIRED

- Drill + 6mm masonry bit
- 6mm + 4mm flat head screwdrivers

#### INSTALLATION NOTES

- Surface cup is designed to be fixed to a solid horizontal surface, using appropriate fixings
- Surface cup can house electrical connection
- A suitable, non-combustible enclosure in an existing or new ceiling void is required to make a connection for outlets of 5 way or more

#### INSTALLATION (MASONRY SURFACE)

**WARNING:** Light fitting to be insulated and earthed in accordance with current building and wiring regs

1. Drill 2 x 6mm holes x 30mm deep at 50.8mm centre spacings
2. Insert plastic plugs into holes
3. Use 6mm screwdriver and supplied medium screws to fix bracket to horizontal surface (alternatively, use supplied short screws only to fix luminaire to timber surface)
4. Feed luminaire cables through cord grips and tighten grub screws with 4mm screwdriver **CAUTION:** WAGO terminals should be relieved from strain or twisting
5. Use supplied WAGO connectors and fly leads to make L, N and  $\perp$  connections (as per correct number outlet wiring diagram):
  - Flip integrated orange lever up to open position
  - Insert exposed conductor to stopping point
  - Return lever to closed position
6. Secure surface cup to bracket using knurled bracket screws

### YOUR PRODUCT

Thank you for purchasing this product. It has been designed and made to give you many years of reliable service. Please read these user instructions carefully.

### WARNING

- Installation by a competent person, in accordance with current wiring and building regs.
- For indoor use only
- Shut off power to the circuit before installation
- Product must be earthed (see wiring diagram)
- Min cable CSA 0.75mm<sup>2</sup>
- Max cable outer diameter 6mm
- Max weight load of product is 5kg
- Always use fixings appropriate for the mounting surface (screws supplied may not be suitable)
- Ensure grub screws are secure - terminals must be relieved from strain and twisting
- Bathroom installation by authorised contractor only

### HANDLING & CLEANING

**WARNING:** Shut off power and allow to cool

- Wipe gently with a dry, soft, cotton cloth
- Cleaning products, scratching, abrasion, damp, oils, liquids etc may have a detrimental effect

### TROUBLESHOOTING

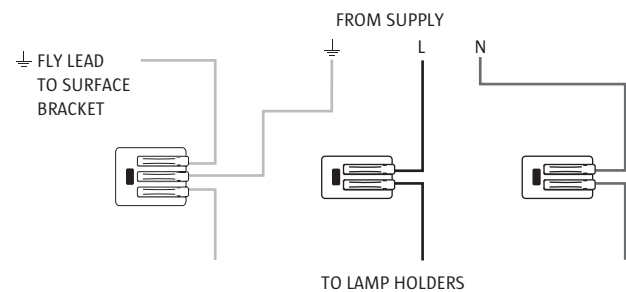
No user serviceable parts. In the event of failure, fault or damage shut off power and contact [hello@urbancottageindustries.com](mailto:hello@urbancottageindustries.com)

### STAY UP TO DATE

We post regular design and product information via social media. You can also contact us via instant support and email [hello@urbancottageindustries.com](mailto:hello@urbancottageindustries.com)

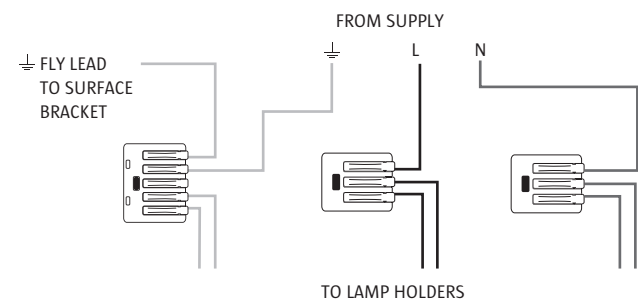
### SINGLE OUTLET WIRING DIAGRAM

**WARNING:** Ensure no loose copper strands



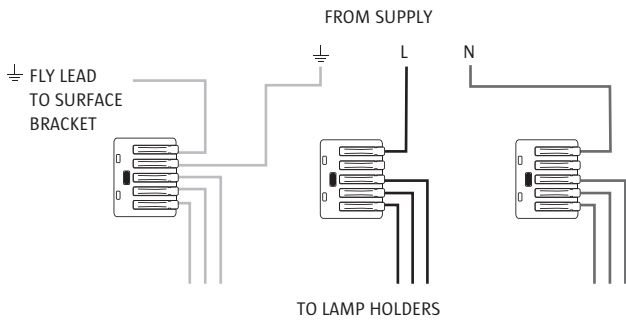
### 2 WAY OUTLET WIRING DIAGRAM

**WARNING:** Ensure no loose copper strands



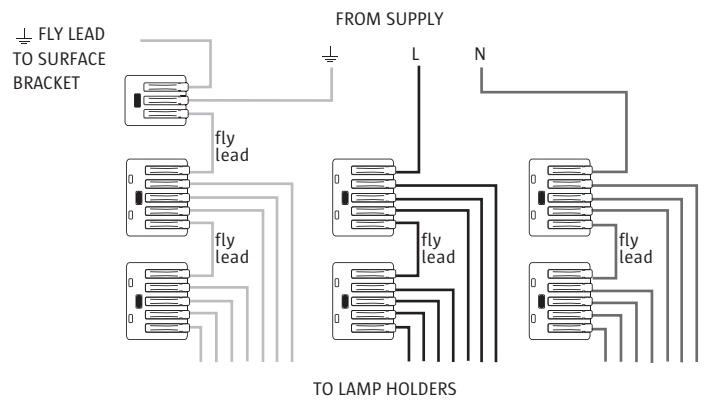
### 3 WAY OUTLET WIRING DIAGRAM

**WARNING:** Ensure no loose copper strands



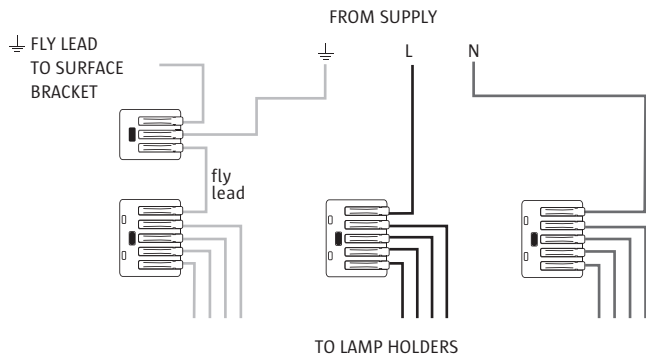
### 7 WAY OUTLET WIRING DIAGRAM

**WARNING:** Ensure no loose copper strands



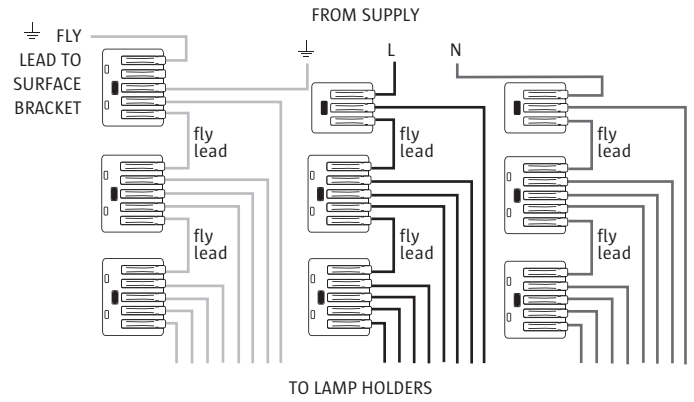
### 4 WAY OUTLET WIRING DIAGRAM

**WARNING:** Ensure no loose copper strands



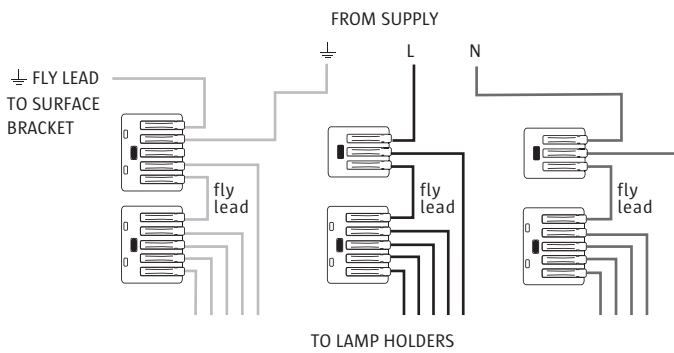
### 8 WAY OUTLET WIRING DIAGRAM

**WARNING:** Ensure no loose copper strands



### 5 WAY OUTLET WIRING DIAGRAM

**WARNING:** Ensure no loose copper strands



### 6 WAY OUTLET WIRING DIAGRAM

**WARNING:** Ensure no loose copper strands

