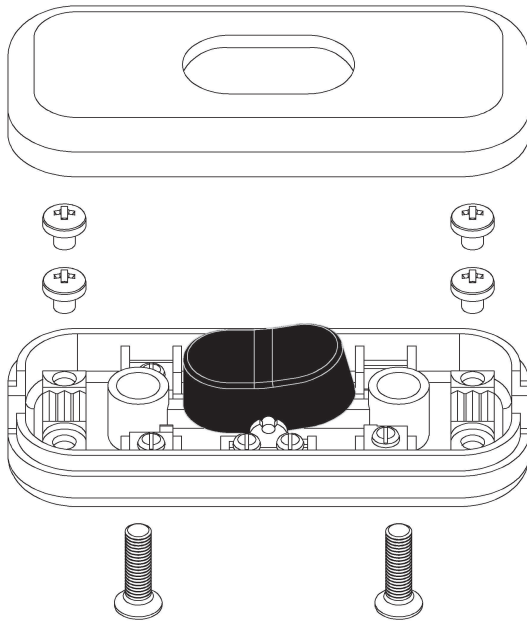


URBAN COTTAGE INDUSTRIES

IN-LINE ROCKER SWITCH



WHAT'S INCLUDED



1x
1 amp
fuse

USER INSTRUCTIONS

TOOLS REQUIRED

- Small sharp scissors
- Side cutters
- Insulations strippers
- 8mm flat head screwdriver
- 4mm flat head screwdriver

INSTALLATION NOTES

- Compatible with 2 and 3 core lighting cable
- The additional plastic from the cable entry holes can be carefully removed before installing larger cables
- To avoid fraying beyond the cable entry holes, we recommend securing the fabric sleeve with heat shrink or suitable insulation tape

INSTALLATION

1. Remove required length of fabric sleeve from cable using scissors
CAUTION: Take care not to damage insulation
2. Prepare cores (as per 'wiring diagram 1')
3. Terminate N, L and \perp (if present) in sequence
4. Secure cable in cord grip CAUTION: Terminals should be relieved from strain or twisting
5. Replace and secure cover ensuring cables are not trapped

YOUR PRODUCT

Thank you for purchasing this product. It has been designed and made to give you many years of reliable service. Please read these user instructions carefully.

WARNING

Installation in accordance with current regulations and by a competent person only.

- Ensure plug is fitted with supplied 1A fuse
- Do not exceed maximum allowable load - 1A 240V AC (UK)
- Compatible with cable CSA of 0.75mm² only
- Compatible with flexible cable up to 7mm OD only
- Ensure all screws are tightly secured
- For indoor use only
- Not suitable for use in a bathroom

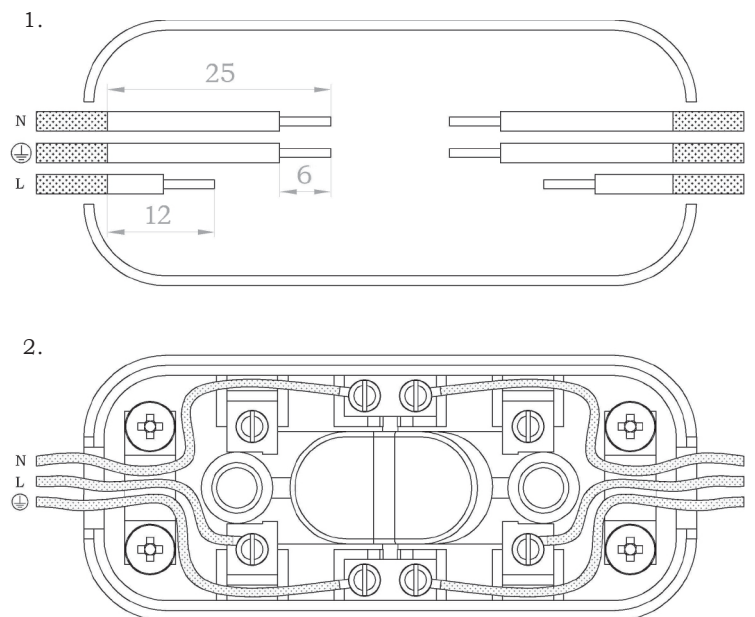
STAY UP TO DATE

We post regular design and product information via social media. You can also contact us via instant support and email hello@urbancottageindustries.com

TROUBLESHOOTING

No user serviceable parts. In the event of failure, fault or damage shut off power and contact hello@urbancottageindustries.com

WIRING DIAGRAMS



HANDLING & CLEANING

WARNING: Shut off power

- Remove plug from socket
- Wipe gently with a dry, soft, cotton cloth

1_INS_InlineRockerSwitch_2210
©Urban Cottage Industries

