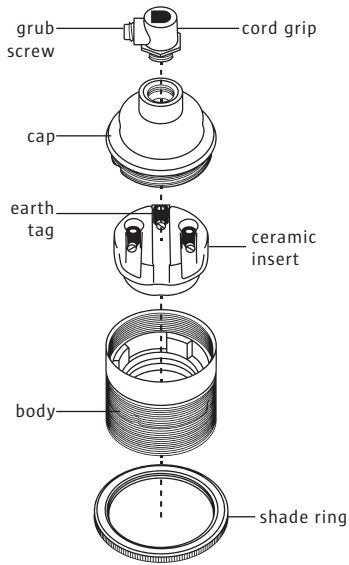
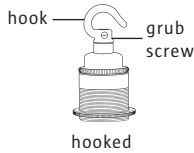
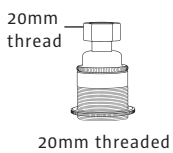


# URBAN COTTAGE INDUSTRIES

## METAL E27

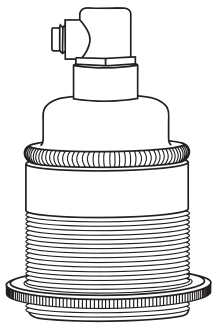


### VARIANTS

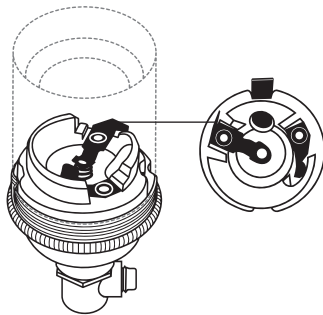


### USER INSTRUCTIONS

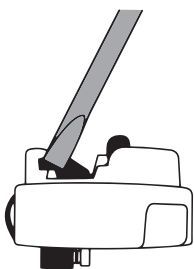
#### UNLOCKING



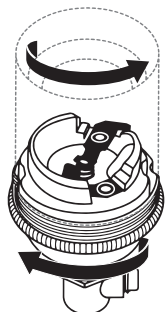
1. Locking device activated once assembled



2. Identify locking tab



3. Bend locking tab inwards with screwdriver



4. Unscrew body from cap

### YOUR PRODUCT

Thank you for purchasing this product. It has been designed and made to give you many years of reliable service. Please read these user instructions carefully.

### WARNING

- Installation in accordance with current wiring and building regs and by a competent person only.
- For indoor use only
- Earthed - only compatible with 3 core lighting cable
- Shut off power to the circuit before installation
- Ensure cables are secured in correct terminals (see 'wiring diagram')
- Ensure flexible cables are secure - terminals must be relieved from strain and twisting
- Ensure earth tag is aligned with notches on cap
- Bathroom installation by authorised contractor only
- Do not exceed max operating temperature - 170°C
- Maintain safe distance between light source and surfaces

### HANDLING & CLEANING

**WARNING:** Shut off power and allow to cool

- Wipe gently with a dry, soft, cotton cloth
- Cleaning products, scratching, abrasion, damp, oils, liquids etc may have a detrimental effect on surface patina

### TROUBLESHOOTING

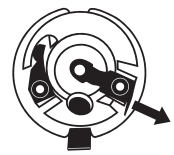
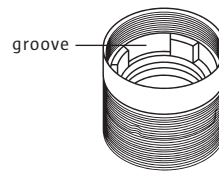
No user serviceable parts. In the event of failure, fault or damage shut off power and contact [hello@urbancottageindustries.com](mailto:hello@urbancottageindustries.com)

### STAY UP TO DATE

We post regular design and product information via social media. You can also contact us via instant support and email [hello@urbancottageindustries.com](mailto:hello@urbancottageindustries.com)

#### LOCKING

**CAUTION:** After terminating and assembling your bulb holder, the locking mechanism may need re-activating:



1. Ensure locking tab is positioned in a groove
2. Bend locking tab outwards using screwdriver

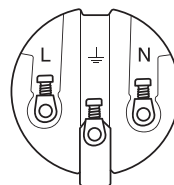
#### TOOLS REQUIRED

- Cord grip grub screw      4mm flat head screwdriver
- Hooked grub screw        3mm flat head screwdriver
- Terminals                    3mm flat head screwdriver

#### INSTALLATION NOTES

- We recommend using ferrules with crimping pliers to crimp exposed stranded conductors. It's simpler, neater and safer

#### WIRING DIAGRAM



1. Strip insulation from end - appropriate to cable type and/or ferrules
2. Firmly secure stripped cables in terminals
3. Align earth tag with notches on cap
4. Secure grub screw (or suitable alternative cable restraint)

1\_INS\_E27MetalLampHolder\_2210  
©Urban Cottage Industries

