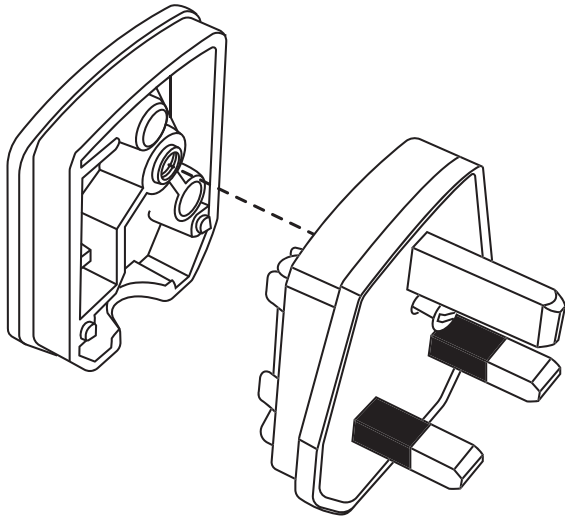
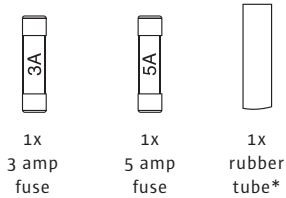


# URBAN COTTAGE INDUSTRIES

## 13A FUSED PLUG



### WHAT'S INCLUDED



\*only compatible with fabric lighting cable

### USER INSTRUCTIONS

#### TOOLS REQUIRED

- Screwdriver - dependant on plug
- Insulation strippers
- Small sharp scissors

#### INSTALLATION NOTES

- Compatible with Urban Cottage Industries lighting and power cable
- If using fabric cable, we recommend using suitable heat shrink to secure fabric sleeve (supplied rubber tube can be used on Urban Cottage Industries lighting cable)
- We recommend using ferrules with crimping pliers to crimp exposed stranded conductors. It's simpler, neater and safer

#### INSTALLATION

**CAUTION:** Reference correct 'wiring diagram' for each plug

1. Remove required length of fabric sleeve from cable using scissors  
**CAUTION:** Take care not to damage insulation
2. Cover frayed fabric with supplied rubber tube (lighting cable only)
3. Prepare cores (as per appropriate 'wiring diagram')
4. Terminate N, L and  $\perp$  in sequence
5. Secure cable in cord grip **CAUTION:** Terminals should be relieved from strain or twisting
6. Fit correct sized fuse
7. Replace and secure cover

#### HANDLING & CLEANING

**WARNING:** Shut off power

- Remove all plugs from sockets
- Wipe gently with a dry, soft, cotton cloth

### YOUR PRODUCT

Thank you for purchasing this product. It has been designed and made to give you many years of reliable service. Please read these user instructions carefully.

### WARNING

- Installation by a competent person only.
- Not suitable for use in wet or damp conditions
- Supplied fitted with 13 amp fuse
- Do not exceed maximum allowable load
- Always use correct fuse to suit appliance and cable
- Must be earthed
- Only compatible with 3 core cable
- Ensure cable is secure in cord grip - terminals must be relieved from strain and twisting
- Ensure cables are secured in terminal channels

### TROUBLESHOOTING

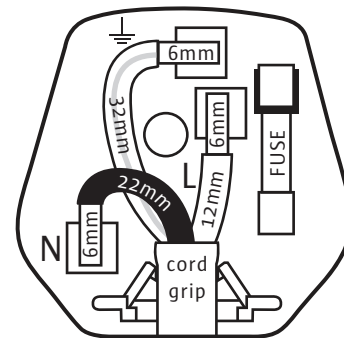
No user serviceable parts. In the event of failure, fault or damage shut off power and contact [hello@urbancottageindustries.com](mailto:hello@urbancottageindustries.com)

### STAY UP TO DATE

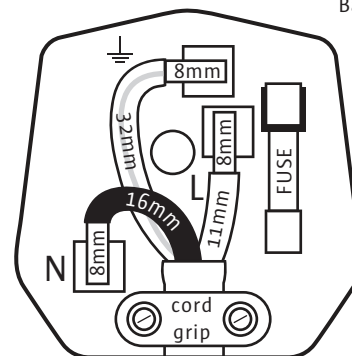
We post regular design and product information via social media. You can also contact us via instant support and email [hello@urbancottageindustries.com](mailto:hello@urbancottageindustries.com)

### WIRING DIAGRAMS

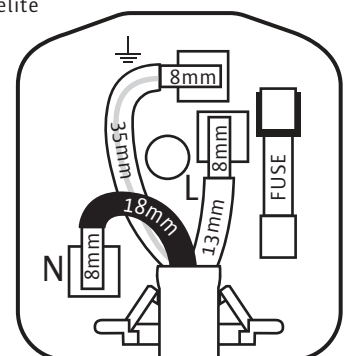
N = blue or black  
L = brown or red  
 $\perp$  = green/yellow or green



Bakelite



heavy duty



hospital