

Test Report

REPORT NO:
755064



**DANISH
TECHNOLOGICAL
INSTITUTE**

Gregersensvej
DK-2630 Taastrup
+45 72 20 20 00
Info@teknologisk.dk
www.teknologisk.dk

Page 1 af 6
Initials: SCL/UHI
Order no.: 755064
Appendices: 3

Customer: Contact: Henrik Rønne
Company: Watercare
Address: Stejlebjergvej 14
Town: 5610 Assens, Denmark

Material: The septic tank is a nominal size NC 2. The septic tank is tested with a water flow of 0.5 l/s.

The septic tank is a 3 chamber tank with an integrated pump well. The incoming pipe is \varnothing 110 mm. Before testing the outgoing pressure pipe was replaced with a 110 mm pipe. The pump well was closed from the tank during the testing of the hydraulic efficiency. There is two \varnothing 400 mm access openings. The tank is made of PE. A computer drawing of the septic tank is shown at appendix 2. Testing was carried out on a factory-made septic tank.

Sampling: The test separator was sent to the Danish Technological Institute by the manufacturer and received April 20th, 2017.

Method: The test was carried out according to: DS/EN 12566-1:2001 with Amendment A1 from 2004.
1. Capacity test, Annex A
2. Watertightness, Annex A
3. Testing of the hydraulic efficiency, Annex B


Period: The test was carried out May 11-18th 2017.


Result: The test shows that the separator meets all relevant requirements in CEN standard DS/EN 12566-1:2001 and A1 from 2004. The results of the hydraulic efficiency test are shown in appendix 1.
- The septic tank has a nominal capacity of NC 2. The measured capacity was 2408 L (2,408 m³).
- The septic tank was watertight after 30 min. of testing.
With a flow of 0.5 l/s, 5 out of 5 results are below 0,7 grams.

Terms: The test has been performed according to the rear side conditions, which are according to the guidelines laid down by DANAK (The Danish Accreditation). The testing is only valid for the tested specimen.
The test report may only be extracted, if the laboratory has approved the extract.

Place: Date 01.06.2017, Teknologisk Institut, Taastrup, Pipe Centre

Signatur:


Stig Clausen
Consultant


Ulrik Hindsberger
Centre Manager



 **DANAK**
Test Reg. nr. 02



Test conditions, extracts from CEN standard DS/EN 12566-1:2001 and A1 from 2004

Reference to section in CEN standard DS/EN 12566-1

The conformity of the test separator with the manufacturer's construction drawings has been controlled.

Annex A

Nominal Capacity

A capacity of 2408 L (2,408 m³) was measured to the outlet of the septic tank with chambers 1 and 2 included. The nominal capacity is 2 (NC 2).

Watertightness

The septic tank was tight after 30 min. of testing.

Appendix 1. Test results of hydraulic efficiency

Five water samples were collected at the outlet and the quantity of beads were measured after the evaporation of water.

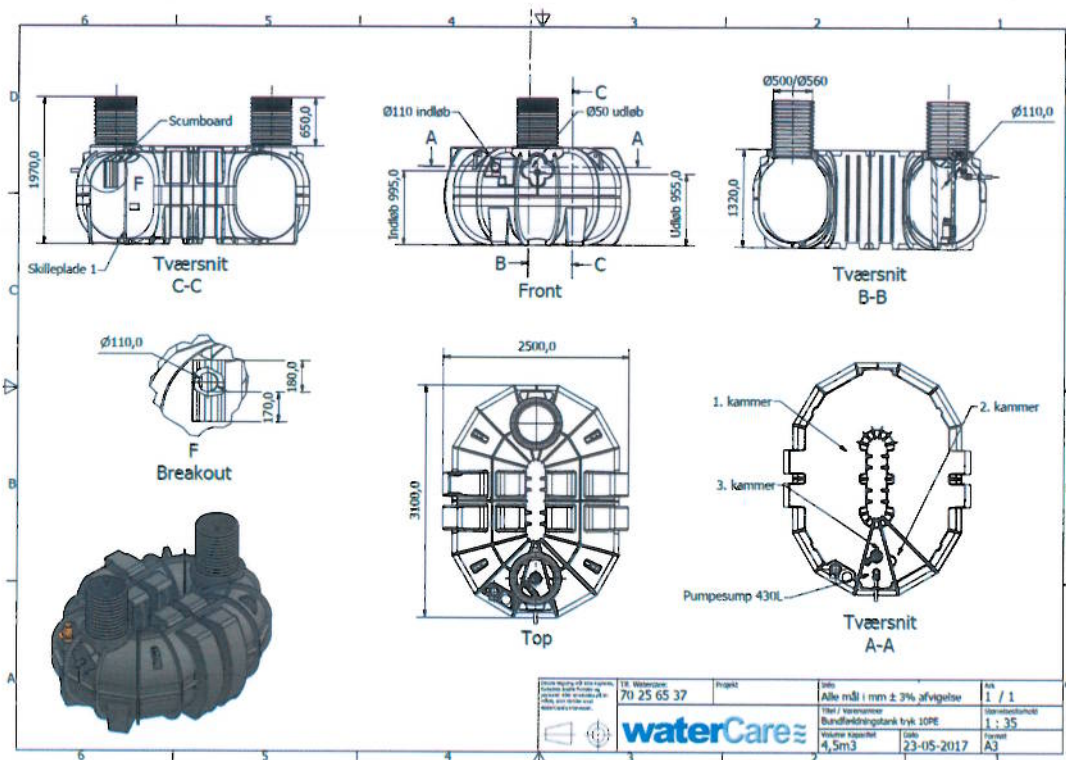
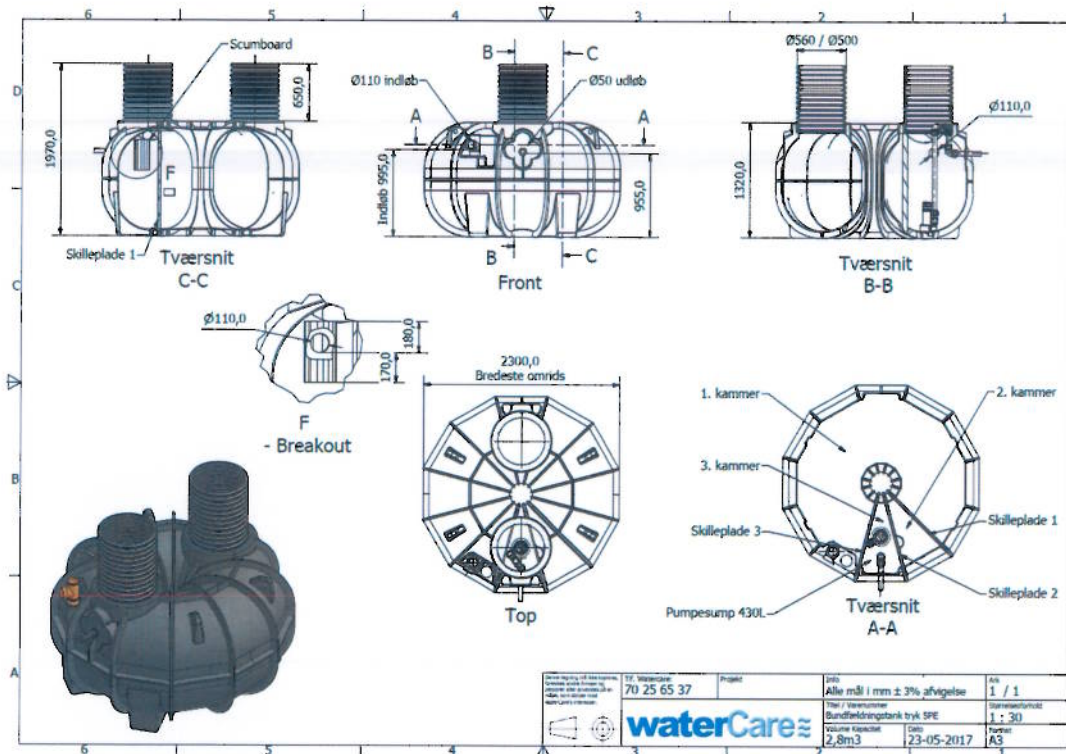
Sample no.	1	2	3	4	5
Test results (g)	0.48	0.49	0.44	0.69	0.63

Average of 5 results: 0.55 grams

Average of 4 lowest results: 0.51 grams

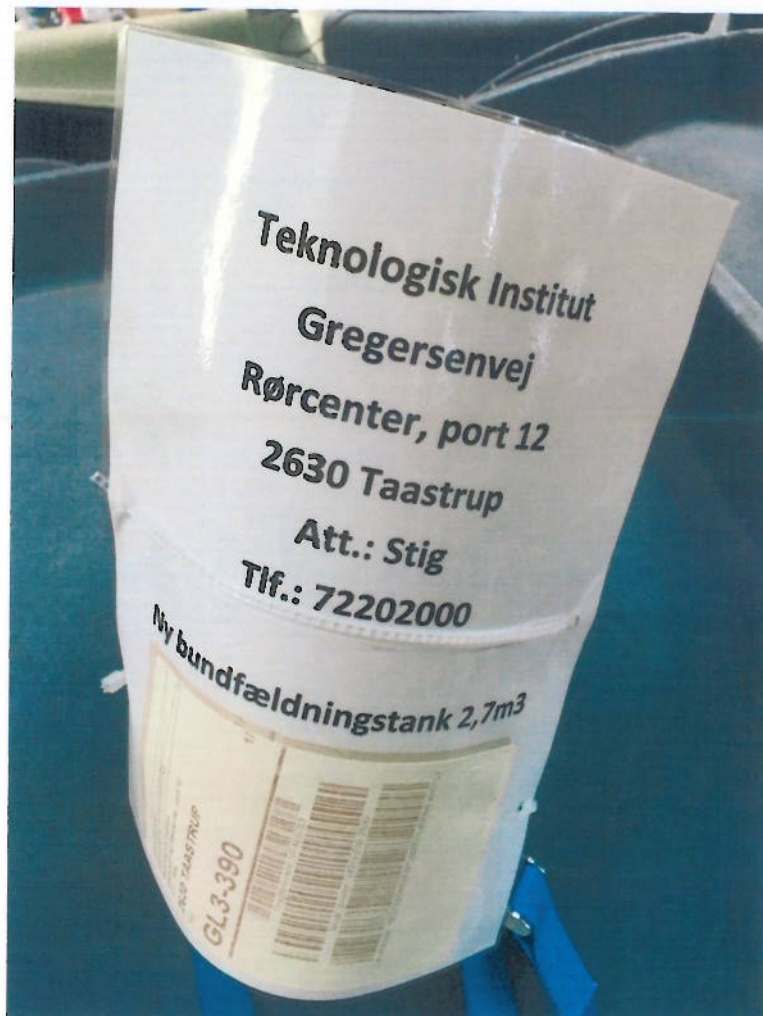
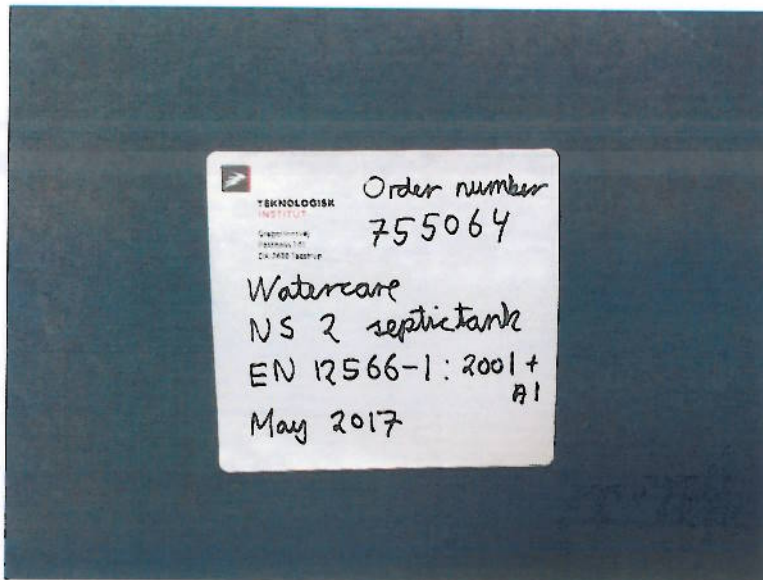


Appendix 2. Illustrations



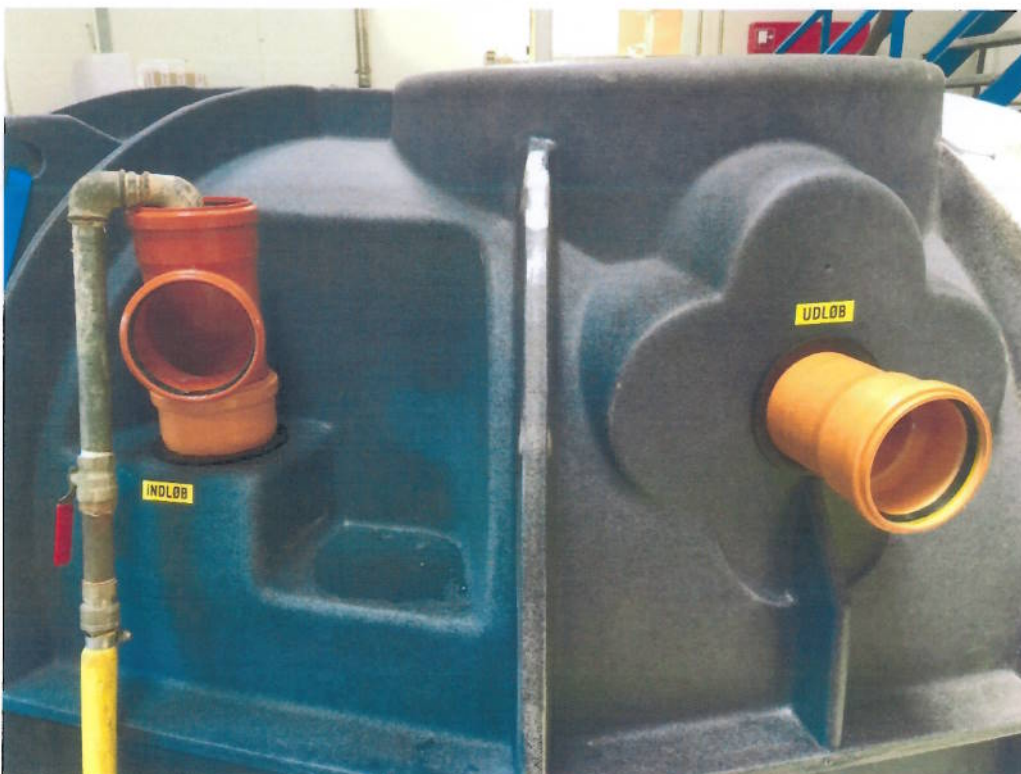


Appendix 3. Photos from test, 16-05-2017





Appendix 3. Photos from test, 16-05-2017





The general conditions pertaining to assignments accepted by Danish Technological Institute shall apply in full to the technical testing or calibration at Danish Technological Institute and to the completion of test reports or calibration certificates within the relevant field.

Danish Accreditation (DANAK):

DANAK is the national accreditation body in Denmark in compliance with EU regulation No. 765/2008.

DANAK participates in the multilateral agreements for testing and calibration under European co-operation for Accreditation (EA) and under International Laboratory Accreditation Cooperation (ILAC) based on peer evaluation. Accredited test reports and calibration certificates issued by laboratories accredited by DANAK are recognized cross border by members of EA and ILAC equal to test reports and calibration certificates issued by these members' accredited laboratories.

The use of the accreditation mark on test reports and calibration certificates or reference to accreditation, documents that the service is provided as an accredited service under the company's DANAK accreditation according to EN ISO IEC 17025.

Construction Product Directive:

The Danish Technological Institute guarantees that employees carrying out tests to be used together with harmonized standards under notification no. 1235 according to EU regulation 305/2011, article 43, satisfy all the requirements made for capability, integrity and impartiality. You find the CPD here:

http://ec.europa.eu/growth/single-market/european-standards/harmonised-standards/construction-products/index_en.htm