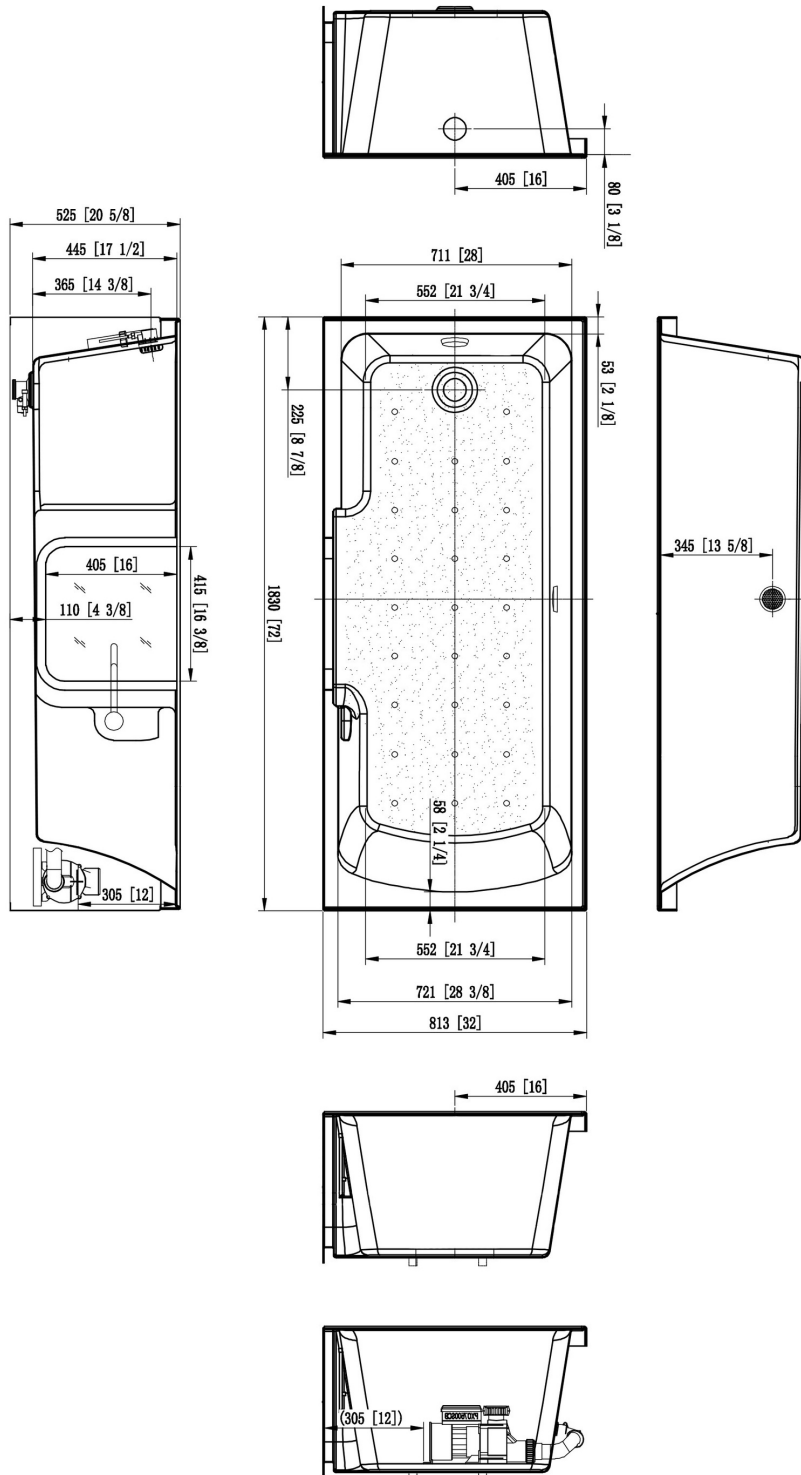


**ella**  
by ella's bubbles

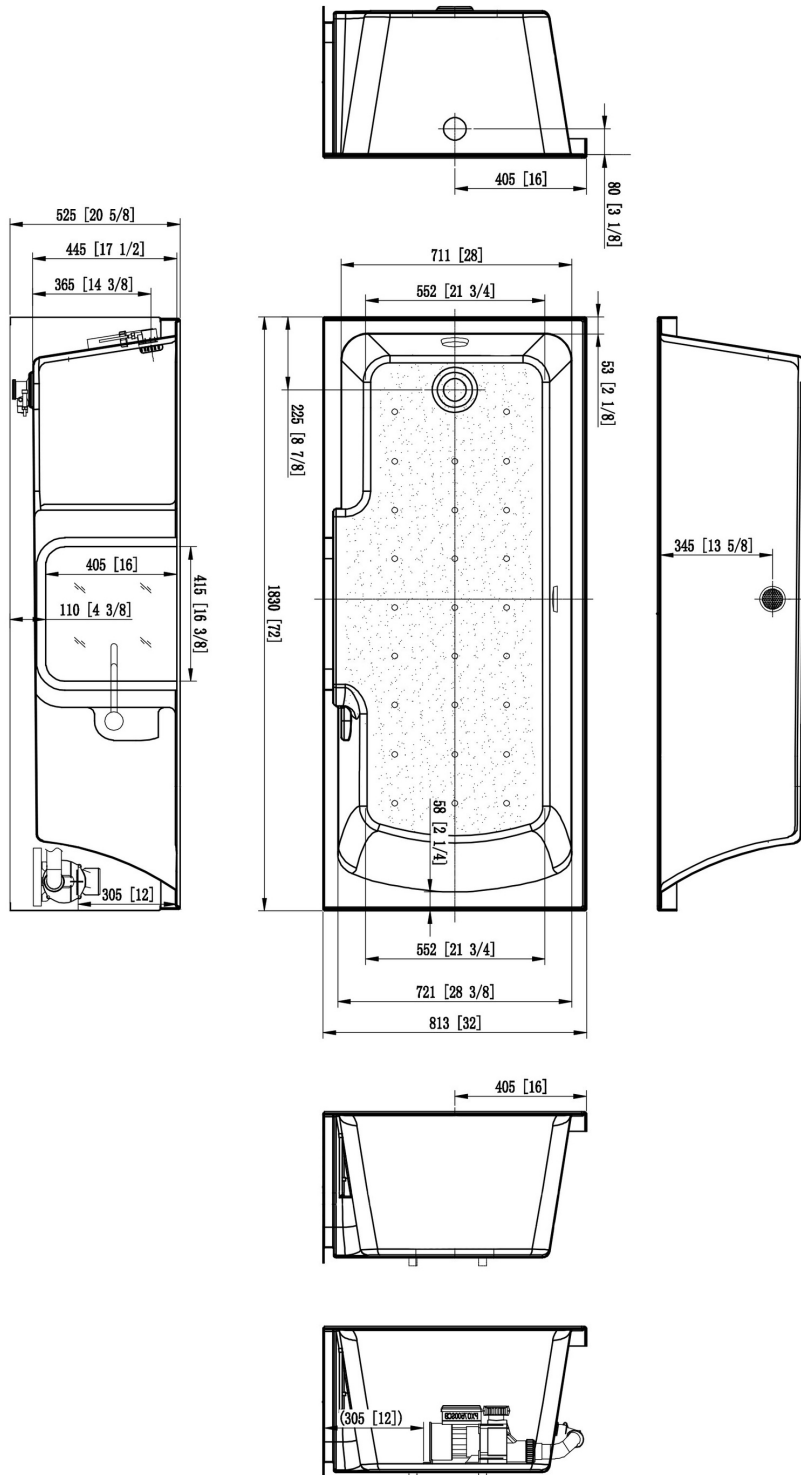
**ELLA LAYDOWN ACRYLIC ALCOVE  
BATHTUB 32x72  
OWNERS MANUAL**



# Technical Diagram



# Technical Diagram



## Protecting the Bath

Cover and protect the bath shell and fixtures from scratches or other damages during the installation and tests. Remove the access panels when moving the acrylic alcove bathtub and always lift the bathtub from the frame.

## Electrical

The unit **MUST** be connected to a circuit protected by a ground fault circuit interrupter (GFCI) provided and installed by a licensed electrician and tested periodically (refer to instructions provided by GFCI manufacturer). Electrical requirements vary based on package; please refer to package diagrams included in the specifications. A licensed electrician for your area is required to install and test the electrical installation process. **DO NOT** use any kind of extension cords to power the unit.

Operating the pumps without first filling the bath to above the jets can cause permanent damage to your equipment.

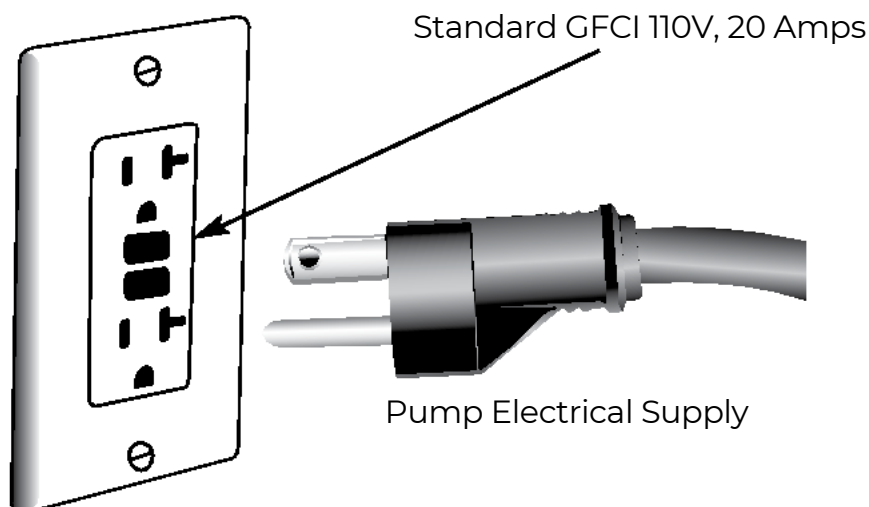
Push the GFCI "test" button into "reset" mode. If the GFCI fails to operate in this manner, there is a ground current flow or a device malfunction, indicating the possibility of electrical shock. If this occurs, turn OFF the power and do not use the bathtub until the source of the problem has been identified and corrected.

## Water Test

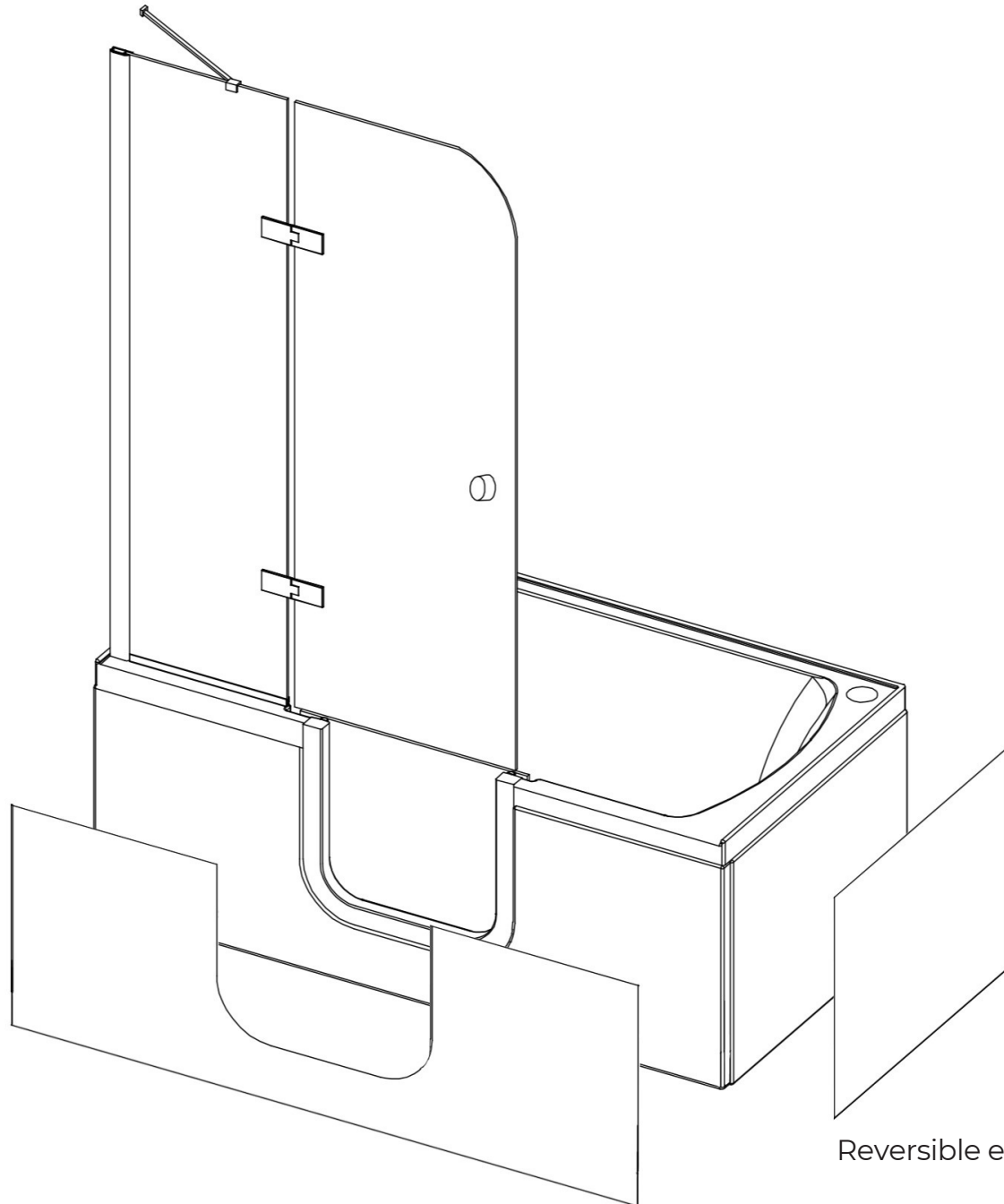
It is important to test that the Microbubble Pump is functioning properly before final in-wall installation to avoid unnecessary repairs or removal.

## Electrical Requirements:

One (1) dedicated 120V electrical line with a 20AMP GFCI standard three prong outlet is required.



# Front Access Panel and Reversible End Panel

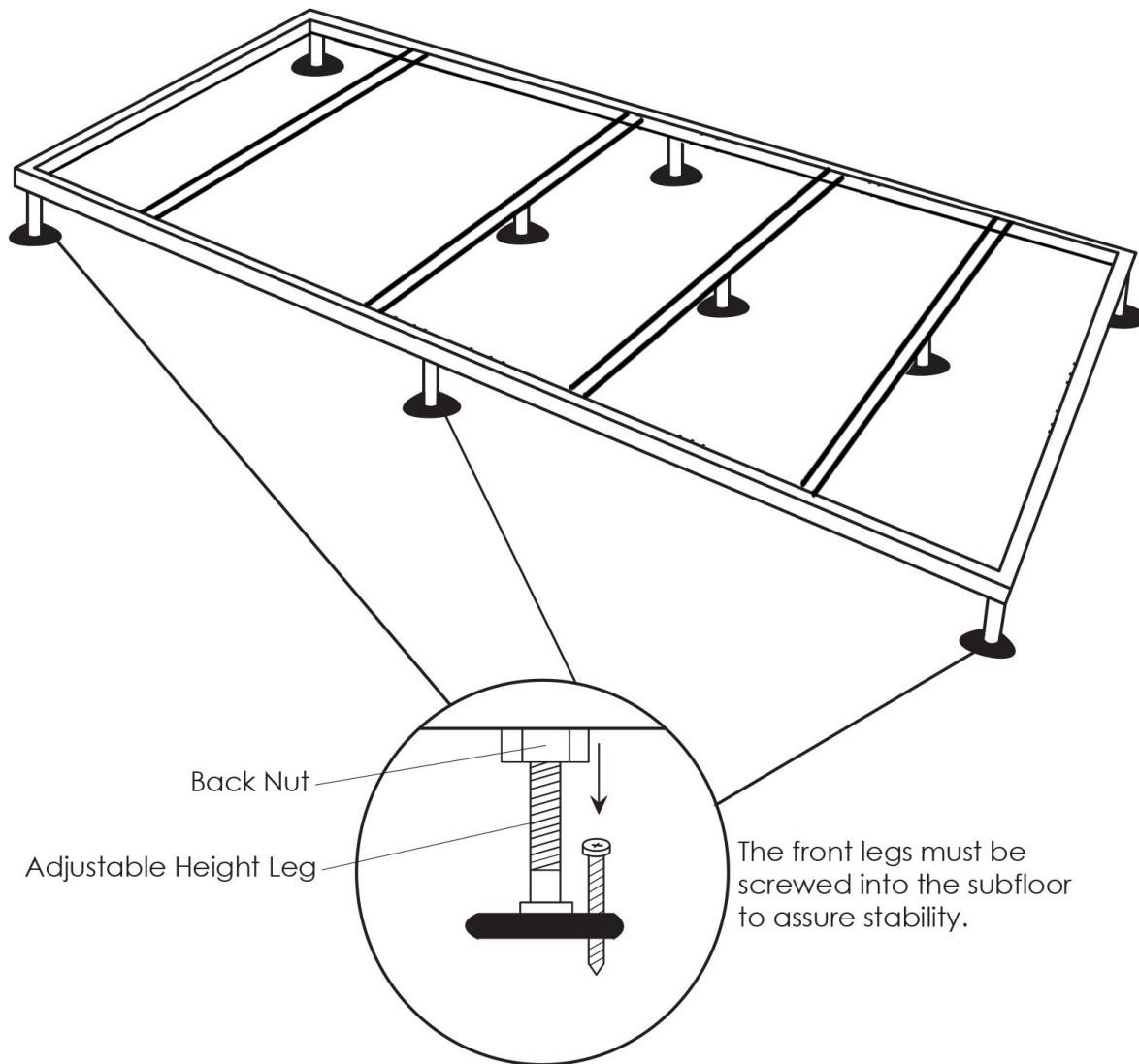


Removable front apron for easy access

Reversible end panel

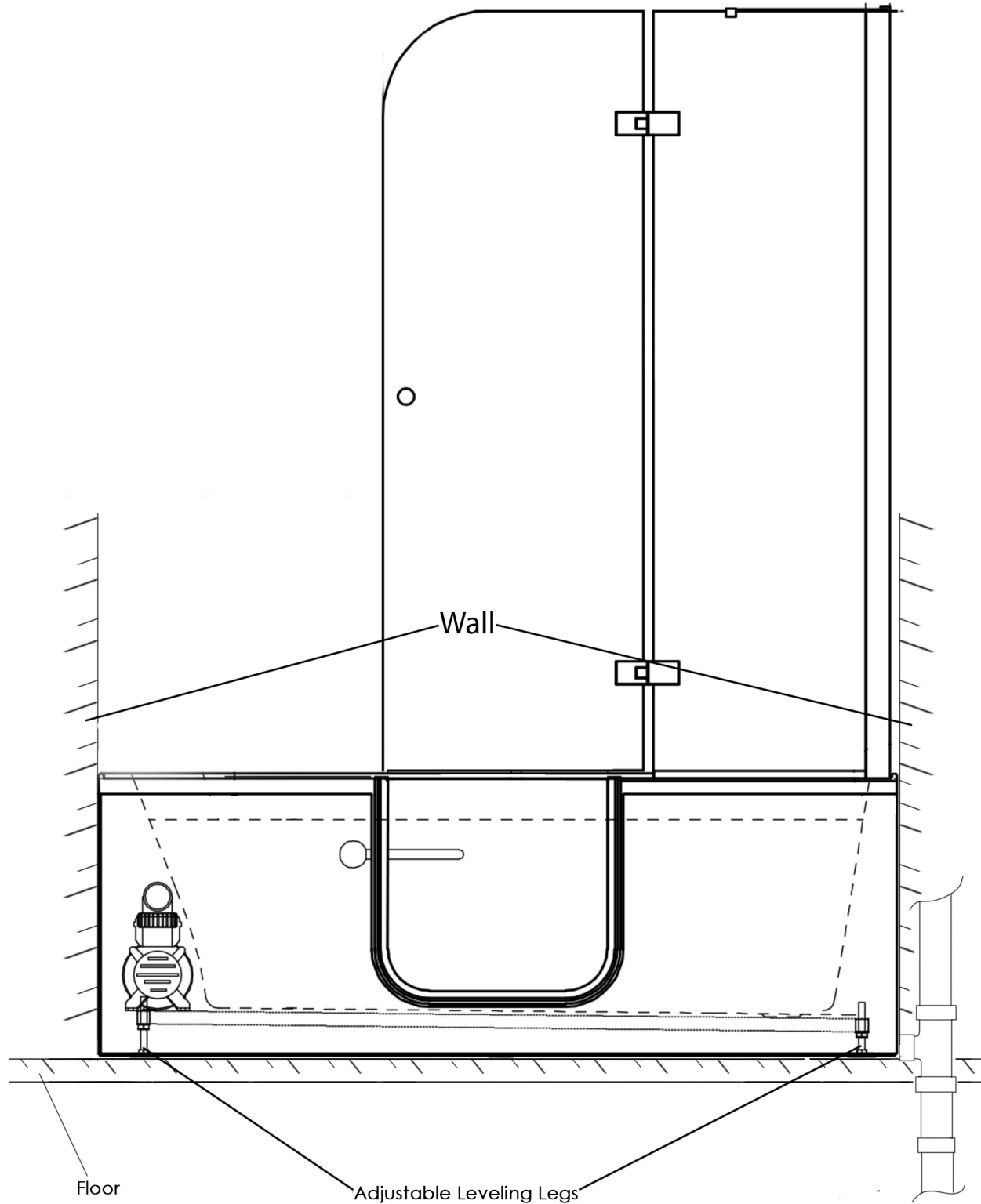
Prepare the sub-floor for the drain and ensure that the area is level. The supporting sub-floor must be able to support the total weight of the bathtub, bather and water and must meet local construction code requirements.

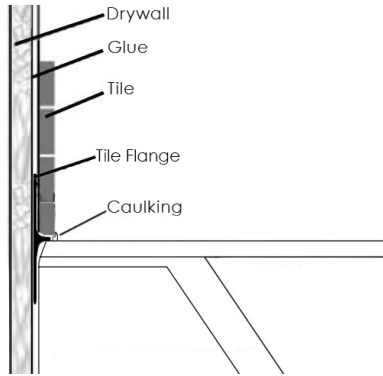
Use a level and make sure that the sub-floor below the tub is leveled. If the floor is not perfectly level, adjust the appropriate leveling legs to re-align the tub to perfect level.



Layout of adjustable leveling legs varies by model. This may not be an exact representation of how your tubs leveling legs are laid out. This is to be used as an example and to show that the legs need to be secured to the sub-floor.

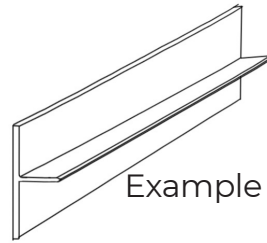
Make sure a watertight seal exists on all bath drain connections.





This acrylic bathtub does not include a tile flange, therefore we recommend using the following:

<https://www.amazon.com/American-Standard-9FLNG-Tile-Flange/dp/B003ZTP440>



Example of Tile Flange



# Cleaning and Maintenance



## Recommended Acrylic Cleaners

Use only cleaning products whose labels state that they are SAFE for ACRYLIC. Always test products on a small are of skirt before applying to complete bath area.

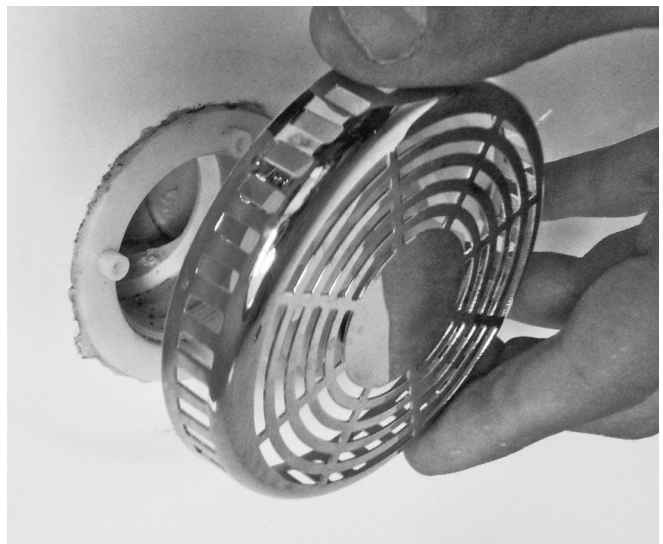
- White Vinegar & Water (Recommended)
- ZEP Professional strength shower tub & tile cleaner
- Dawn dish detergent
- Rubbermaid commercial strength shower tub & tile cleaner
- Home Depot HDX shower tub & tile cleaner
- Scrub free original soap scum remover
- Kaboom shower tub & tile cleaner with oxy clean
- Simple green all purpose cleaners (any scent)
- Simple green lime scale remover
- Simple green natural bathroom cleaner
- All tilex products
- All Pine-Sol Products
- All Franganzia Products

**DO NOT USE** the following on your **ACRYLIC Bath System**. The use of the following chemicals will cause a dull surface or chemical cracks. The use of these products will VOID YOUR WARRANTY.

- Any product containing ammonia
- Dow scrubbing bubbles
- Abrasive Cleaners
- Ajax
- Comet
- Fantistik
- Soft Scrub
- Mr. Clean
- Nail Polish Remover
- Scouring Pads
- Ammonia
- Tough Act
- Powder or Crystal Drain Cleaners
- Greenworks Bathroom Cleaner
- Scrub Free w/Bleach
- Seventh generation bathroom cleaner - regular
- Magic Eraser

## Monthly Maintenance

It is recommended that once a month the tub is flushed. As well, with every month of normal use, clean out the pumps inlet cover (shown right) by unscrewing the cover (counter clockwise) and removing any hair and debris from the cover and housing. Remount the cover in place. Never operate the system with the cover off, as the pump creates a strong suction and damage to the pump or injury may occur.



## Recommended Acrylic Cleaners



Acrylic tubs provide customers with a better quality tub vs gel coat tubs. Unfortunately, these tubs can scratch if cleaned incorrectly. The way to proceed is gently, very gently. The good news: gentle cleaning does not translate into high maintenance. On the contrary, you'll probably save some cash by foregoing pricey chemical cleansers. Here's how to clean your acrylic tub safely and naturally: Wash your tub often, at least once a week, and use a mild soap -- plain old dishwashing liquid is best -- with lots of hot water. Most dirt will simply wash off with clean water. We recommend using liquid dishwashing soap such as Joy, Palmolive or similar. Clorox bleach, Windex, ammonia based glass cleaners, Formula 409 and Fantastic are stronger cleaners that are also safe to use. Always clean with a soft sponge. Never, ever use abrasive cleaning products (those containing fine grit; check the label) or abrasive cleaning pads. Use of these chemicals will destroy the acrylic and void your warranty. Waxing is another no-no. Your acrylic tub is naturally very shiny and designed to stay that way without additional help. Lastly, is your water supply kind of alkaline? If so, you might notice a little hard-water buildup appearing over time. The easiest fix, believe it or not, is plain white vinegar. Spray a 50/50 mix of water and vinegar on the affected areas and let it soak for a while. Rub gently, then rinse.

If you would like a deeper clean than the recommended dish soap and hot water, you can try some of the products listed below that have been approved for use with Acrylic.

CLR PB-BATH-32PRO Multi Purpose Daily Bath Cleaner  
 Better Life Natural Tub and Tile Cleaner  
 Don Asiett's Tub n Tile Concentrate  
 Better Life Natural Tub and Tile Cleaner  
 Bio Clean: Eco Friendly Hard Water Stain Remover  
 Rejuvenate Scrub Free Soap Scum Remover Non-Toxic Non-Abrasive Cleaning Formula  
 Spray Nine 26832 Heavy Duty Cleaner/Degreaser and Disinfectant

Oh Yuk Jetted Tub System Cleaner  
 Jelmar PB-BK-2000 CLR Fresh Scent Bath and Kitchen Cleaner  
 The Bucko Soap Scum and Grime Remover/Bathroom Cleaner  
 Shower Power - Powerful Bathroom Cleaner from Concentrate - Tub and Shower Cleaner  
 Good Green Cleaner Starter Set  
 AmazonBasics Professional All-Purpose Cleaner

**DISINFECTANT  
100337**

**NUTRA-MAX®**

Is a Proven One-Step Disinfectant, Cleaner, Fungicide and Virucide\*.

For Hospitals, Nursing Homes, Hotels & Motels, Institutional, Industrial Sites, Schools, Restaurants, Food Handling and Processing Areas, Bars and Institutional Kitchens.



ACTIVE INGREDIENTS:

Didecyl Dimethyl Ammonium Chloride.....1.27% Alkyl (50% C14, 40% C12, 10% C16)  
Dimethyl Benzyl Ammonium Chloride.....0.85%  
OTHER

EPA Reg. No. 10324-157-9367 EPA Est. No. 9367-FL-1

INGREDIENTS:.....97.88%  
TOTAL:.....100.00%

**DISINFECTANT  
100328**

**VIROBAC**

Is a Proven One-Step Disinfectant, Cleaner, Fungicide and Virucide\*

ACTIVE INGREDIENTS:

Didecyl Dimethyl Ammonium Chloride.....5.07% Alkyl (50% C14, 40% C12, 10% C16)  
Dimethyl Benzyl Ammonium Chloride.....3.38%  
OTHER



INGREDIENTS:.....

KEEP OUT OF REACH OF CHILDREN  
DANGER PELIGRO.....100.00%

EPA Reg. No. 10324-155-9367 EPA Est. No. 9367-FL-1

**SOLUTIONS FOR A CLEANER WORLD™**