

# Freestanding Bathtub Installation Guide



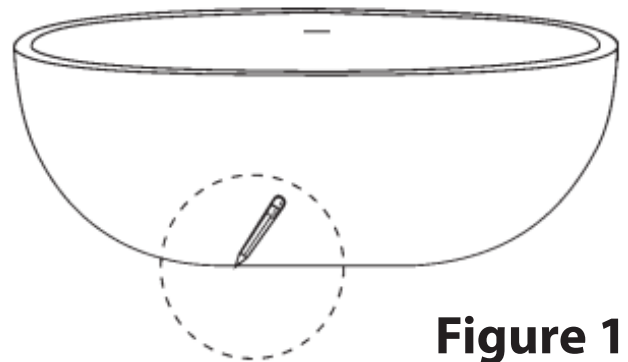
# Freestanding Bathtub Installation Guide



This installation guide is intended to guide you through the installation process one of our freestanding bathtubs. Due to the unique nature of each installation please consult a plumber if you have any questions on your installation. **Professional installation is highly advised.**

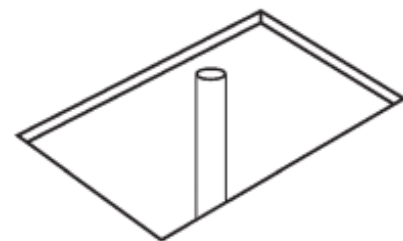
## Preparing for Installation

1. Clean the floor and make sure that it is level.
2. Place the freestanding bathtub in the exact position desired. Once set, trace the outline of the bathtub with a pencil or any erasable marking pen. (Figure 1)



**Figure 1**

3. Determine the location of the drain pipe, on the floor by taking measurements of the drain location underneath the unit. Cut a hole into the subfloor large enough to accommodate the plumbing trap. Ensure the space is free of pipes, floor joists, heating ducts and electrical wires. (Figure 2)



**Figure 2**

4. Using a blanket, cardboard, or other clean protective surface, turn the unit on its side so that the unit is properly supported during drain installation.

# Freestanding Bathtub Installation Guide



## Pop-up drain

A pop-up drain is included and pre-installed in your new bathtub. Please verify the drain nut has not come loose under transport.

## Preparing the drain tail piece

5. The drain must always be installed according to your local plumbing codes, if you are unsure of these please contact a licenced plumber.

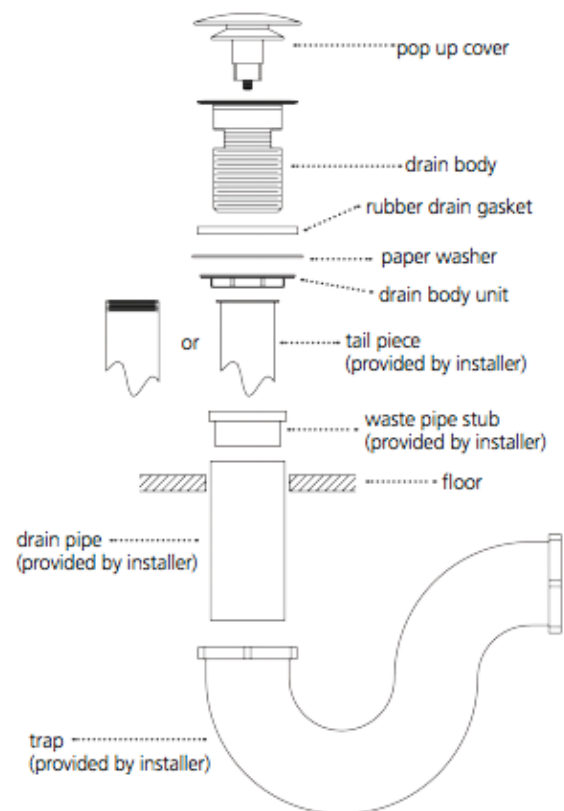
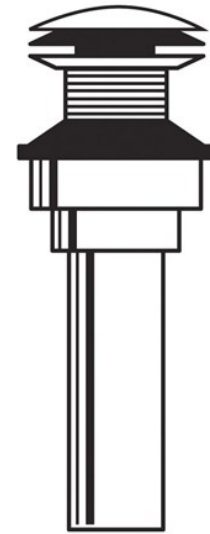
6. Install 1 1/2" rubber slip gasket over the drain waste vent.

7. Cut tail piece to desired length (will vary for each installation).

8. Slide tail piece nut over tail piece towards flanged end.

9. Connect tail piece assembly to waste vent.

10. Place flange washer on top of tail piece.



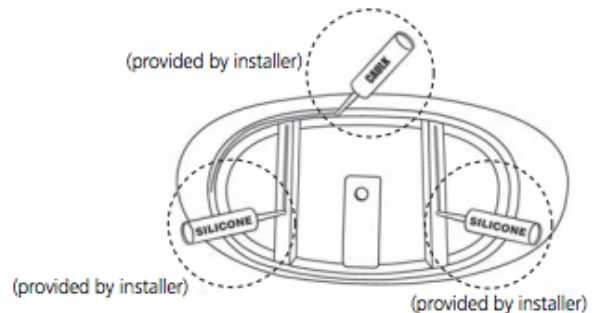
# Freestanding Bathtub Installation Guide



## Setting and Installing the bathtub

11. Apply a generous bead of adhesive or silicone to the bottom of the tub supports. Note the bottom supports will vary by tub model.

(Figure 3)

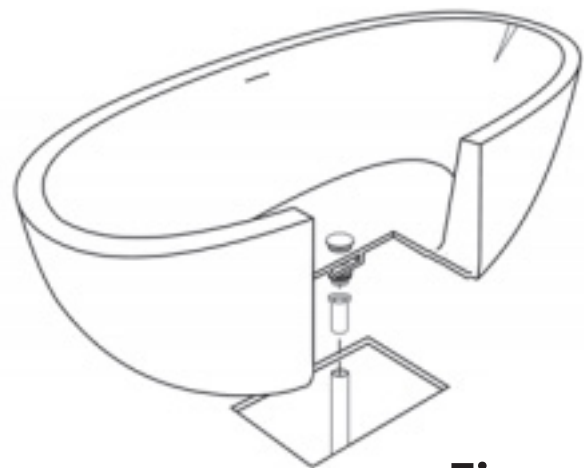


**Figure 3**

12. Then apply a bead of tub and tile caulk around the edge of the base.

(Figure 3)

13. Carefully set tub into position (Figure 4) and connect the drain hardware (pre installed on the tub). Finish the installation of the tail piece.

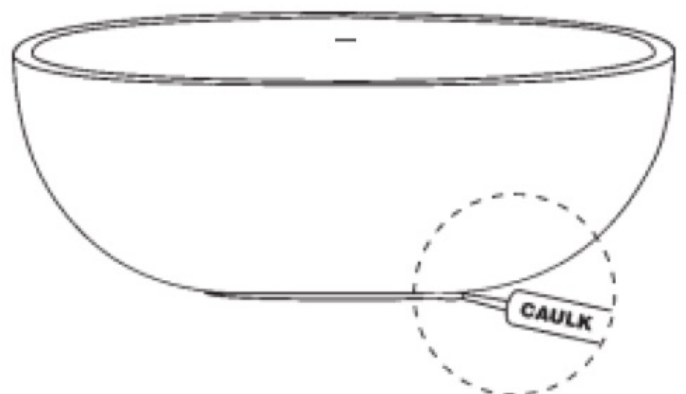


**Figure 4**

14. Fill the tub with water to the overflow and then drain the tub while inspecting the waste connections below the floor for leaks. Access from below is recommended for this step.

15. With the bathtub now in place, wipe off any excess tub and tile caulk and adhesive where the tub meets the floor.

16. Run a bead of tub and tile caulk around the bottom edge of the bathtub where it meets the floor. Wipe off any excess caulk with a wet cloth (Figure 5)



**Figure 5**

# Limited Warranty



Badeloft USA, LLC ("Badeloft") products are warranted against defects in material and workmanship (the "Badeloft Warranty"), subject to the limitations set forth below.

## **Residential Applications (5-Year Residential Warranty):**

All Badeloft stone resin bathtubs, sinks and Parts purchased for residential use only are warranted hereunder for five (5) years from the date of original purchase, subject to the limitations set forth below. As used herein, "Parts" means all mechanical working parts of drains and freestanding faucets and/or fillers (including, without limitation, ceramic disc cartridges for both side valves and pressure balance, thermo cartridges, stops and diverters).



## **Commercial and/or Industrial Applications (2-Year Commercial Warranty):**

All Badeloft stone resin bathtubs and sinks purchased for commercial and/or industrial use (whether in whole or in part) are warranted hereunder for two (2) years from the date of original purchase. For the avoidance of doubt, the Badeloft Warranty does not apply to Badeloft Parts purchased for commercial and/or industrial use (whether in whole or in part).

## **Limitations of the Badeloft Warranty:**

Regardless of intended and/or actual use, the Badeloft Warranty is limited to products purchased directly from Badeloft in the United States. The Badeloft Warranty is further strictly limited to the original purchaser of the product and is not transferable. The original sales receipt must be provided to Badeloft in order to exercise the Badeloft Warranty. Additionally, the Badeloft Warranty does not cover the following:

- (a) Loss and/or damage resulting in whole or part from installation error, product abuse, misuse, neglect, improper maintenance, abrasives, corrosion and/or accidents, whether or not caused or performed by a professional;
- (b) Any and all Badeloft products that are subjected to any type of harsh abrasives (including, without limitation, detergents and/or window cleaners);
- (c) Loss and/or damage due to normal wear and tear;
- (d) Loss and/or damage caused by hard water, calcareous deposits and/or sediments; and/or
- (e) Loss and/or damage sustained in a natural calamity (including, without limitation, fire, earthquake, flood, thunder or electrical storm).

## **Limitation of Liability:**

Badeloft is not responsible for any labor, shipping charges, and/or damages whatsoever, incurred (whether in whole or in part) on account of installation, removal, re-installation, repair and/or replacement of any Badeloft product, as well as any incidental or consequential damages, expenses, losses (whether direct or indirect), arising from any cause whatsoever. Furthermore, Badeloft's liability for any loss of and/or damage to the applicable Badeloft product is limited to the replacement value thereof.

Other Provisions: