

Owner's Manual

MRM4HA.2



WARNING

USE EXTREME CAUTION WHILE USING THIS EQUIPMENT. INJURY CAN OCCUR. READ CAREFULLY AND UNDERSTAND ALL ASSEMBLY AND SAFE OPERATION INSTRUCTIONS BEFORE OPERATING. FAILURE TO FOLLOW THE SAFETY RULES AND OTHER BASIC SAFETY PRECAUTIONS MAY RESULT IN SERIOUS PERSONAL INJURY.





Table of Contents

- 1 INTRODUCTION 4
 - 1.1 ...Application5
 - 1.2 ...Benefits.....5
 - 1.3 ...Navigating This Manual.....5
 - 1.4 ...Warnings and Safety Precautions5
 - 1.5 ...Operation References/Terminology7
 - 1.6 ...Owner Assistance.....7
 - 1.7 ...Model Identification8
 - 1.8 ...Further Assistance8
- 2 SAFETY 8
 - 2.1 ...General Safety Rules.....8
 - 2.2 ...PRODUCT-SPECIFIC SAFETY RULES10
 - 2.3 ...ENGINE SAFETY PRECAUTIONS10
 - 2.4 ...Safety Decals.....13
 - 2.5 ...Training14
 - 2.6 ...Preparation14
 - 2.7 ...Operation15
 - 2.8 ...Maintenance and Storage16
- 3 PARTS BREAKDOWN 16
 - 3.1 ...Tine Assembly Breakdown16
 - 3.2 ...Frame Parts Breakdown17
 - 3.3 ...Transmission Parts Breakdown.....19
 - 3.4 ...General Information.....20
- 4 ASSEMBLY 21
 - 4.1 ...Final Set-up23
- 5 OPERATING CONTROLS 23
 - 5.1 ...Speed23
 - 5.2 ...Depth of Tilling23
 - 5.3 ...Throttle Control Lever.....23
 - 5.4 ...Engage Lever23
- 6 OPERATION 24
 - 6.1 ...Before Operating24



6.2 ...Starting the Engine.....24

6.3 ...Pre-Start25

6.4 ...Filling Fuel Tank.....25

6.5 ...Checking and adding Oil25

6.6 ...Cold Starting Procedure.....26

6.7 ...Stopping Engine.....26

6.8 ...Operation26

6.9 ...Operation Tips27

6.10 .Tilling Pattern.....28

7 ADJUSTMENTS..... 28

7.1 ...Clutch Adjustment.....28

7.2 ...Wheel Height Adjustment.....28

7.3 ...Tine Adjustment.....29

8 Maintenance 29

8.1 ...Periodic Check.....29

8.2 ...Engine Oil.....29

8.3 ...Dual Filter Element Air Cleaner.....30

8.4 ...Cleaning the Cooling System30

8.5 ...Belt Replacement.....30

8.6 ...Cleaning31

9 LUBRICATION 31

9.1 ...Wheels.....31

9.2 ...Clutch Lever Pivots.....31

9.3 ...Transmission31

9.4 ...Idler Arms Pivot.....31

10 STORAGE..... 32

10.1 .Engine.....32

10.2 .Tiller32

11 TRANSPORTING..... 32

12 WARRANTY 33

12.1 .Warranty/Product Registration33

⚠ WARNING**READ ENTIRE MANUAL BEFORE ATTEMPTING TO OPERATE MACHINE**

If incorrectly used, this machine can cause severe injury. Those who use and maintain this machine should be trained in its proper use, warned of its dangers, and should read the entire manual before attempting to set up, operate, adjust, or service this machine.

Read and keep this manual for future reference. This manual contains important information on **SAFETY, ASSEMBLY, OPERATION, AND MAINTENANCE**. The owner must be certain that all the product information is included with the unit. This information includes the **MANUAL**, the **REPLACEMENT PARTS** and the **WARRANTIES**. This information must be included to make sure state laws and other laws are followed. This manual should remain with the product even if it is resold.

⚠ WARNING**THE ENGINE EXHAUST FROM THIS PRODUCT CONTAINS CHEMICALS KNOWN TO THE STATE OF CALIFORNIA TO CAUSE CANCER, BIRTH DEFECTS OR OTHER REPRODUCTIVE HARMS.**

IMPORTANT: This unit is equipped with an internal combustion engine and should not be used on or near any unimproved forest-covered, brush covered, or grass-covered land unless the engine's exhaust system is equipped with a spark arrester meeting applicable local laws (if any). If a spark arrester is used, it should be maintained in effective working order by the operator.

In the state of California, a spark arrester is required by law (section 4442 of the California public resources code). Other states may have similar laws. Federal laws apply on federal lands. See your authorized service center for a spark arrester.

1 INTRODUCTION

Maxim tillers feature heavy gauge steel, heat treated tines, lift bar and a ruggedly built transmission. For additional durability, an extra heavy-duty frame. It's this simple, yet sturdy design that makes Maxim tillers low maintenance and easy to use.

Please read this entire manual before assembly and use. The manufacturer reserves the right to change, alter or improve the product and this document at any time without prior notice.

1.1 Application

Tillers in the rental industry must be able to withstand heavy use, rough handling and transportation bruises, yet still rent tomorrow. These beefy tillers combine ease of operation and maintenance to make a tiller worthy of the Maxim name.

1.2 Benefits

- Transmission case components have double welded flanged tine shaft bearing supports for increased durability.
- Heavy-duty tines with bolt-on replaceable blades
- Heavy-duty steel wheels
- Lift Handle/Engine guard
- Heavy-duty frame
- Lift handle and drag bar standard

1.3 Navigating This Manual

1. Use this manual to help familiarize yourself with safety, assembly, operation, adjustments, troubleshooting, maintenance, specifications and warranty information. It is very important that you read this manual and follow the instructions to ensure safe operation of the attachment.
2. Please visit www.maximmfg.com for updated information.

1.4 Warnings and Safety Precautions

The safety of our customers and other's well-being is very important to us. Using this equipment is an important responsibility. Accurate assembly and safe and effective use of the machine is the owner's responsibility.

- Read and follow all safety instructions
- Carefully follow all assembly instructions
- Maintain the machine according to directions and schedule included in this manual.
- Ensure that anyone who uses the machine is familiar with all controls and safety precautions.

SPECIAL MESSAGES

Your manual contains special message to bring attention to potential safety concerns, machine damage as well as helpful operating and servicing information. Please read all the information carefully to avoid injury and machine damage. This information alerts you to potential hazards that could hurt you or others.

NOTE: General information is given throughout the manual that may help the operator in the operation or service of the machine.

You will find important safety information in a variety of forms, including:

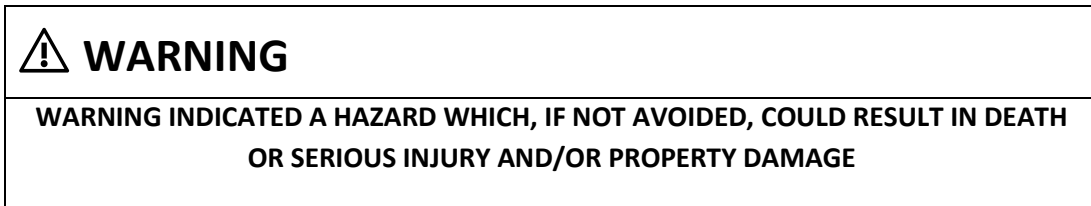
1. Safety labels – on the tillers
2. Safety messages – preceded by a safety alert symbol and one of the three signal words: **DANGER, WARNING, OR CAUTION.**

These signal words mean:

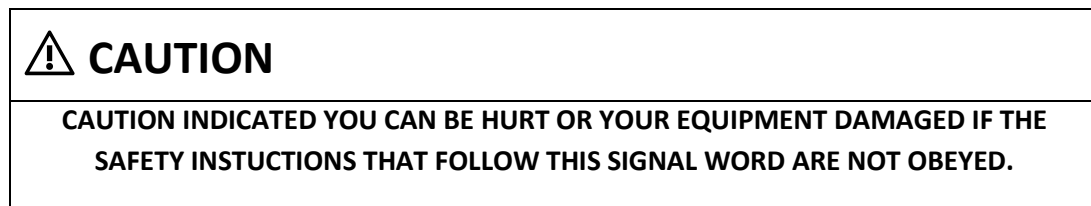
DANGER: You will be killed or seriously injured if you don't follow instructions



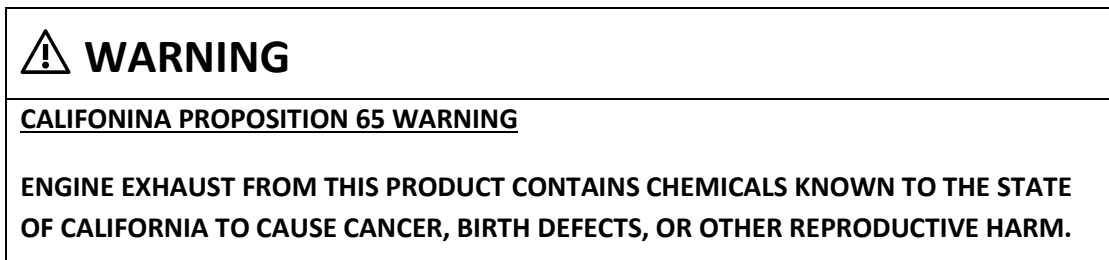
WARNING: You can be killed or seriously injured if you don't follow instructions.



CAUTION: You can be injured if you don't follow instructions.



WARNING:



⚠ WARNING

YOU MUST READ, UNDERSTAND AND COMPLY WITH ALL SAFETY AND OPERATING INSTRUCTIONS IN THIS MANUAL BEFORE ATTEMPTING TO SETUP AND OPERATE YOUR MACHINE.

FAILURE TO COMPLY WITH ALL SAFETY AND OPERATING INSTRUCTIONS CAN RESULT IN LOSS OF MACHINE CONTROL, SERIOUS PERSONAL INJURY TO YOU AND/OR BYSTANDERS, AND RISK OF EQUIPMENT AND PROPERTY DAMAGE. THE TRIANGLE IN THE TEXT SIGNIFIES IMPORATNT CAUTIONS OR WARNINGS WHICH MUST BE FOLLOWED

⚠ This symbol points out important safety instructions which if not followed could endanger your personal safety. Read and follow all instructions in this manual before attempting to operate this equipment.

BEFORE OPERATING ENGINE:

Please read this section carefully. Read entire operating and maintenance instructions for this product. Failure to follow instructions could result in serious injury or death. Operate the machine according to the safety instructions outlined here and inserted throughout the text. Anyone who uses this machine must read the instructions and be familiar with the controls.

Intended Use / Foreseeable Misuse

IMPORTANT: This is a motorized rotary tiller that works the soil by means of rotating tines. It is pedestrian-controlled, but not self-propelled, with a gasoline-fueled internal combustion engine to power the tines. It shall not be used for any other purpose.

1.5 Operation References/Terminology

References throughout this manual referred to as “Right” or “Left” are determined standing behind tiller and facing the direction the unit will operate while in use.

**1.6 Owner Assistance**

Please complete the Warranty/Product Registration at the time of purchase. You will need to complete the warranty/product registration form (pg. 36) with your new unit, or you may visit our website www.maximmfg.com and complete our online product registration form. We require this information so we can keep you updated with any important information about your tiller and provide you with the best customer service possible.

The parts and components used on your Maxim tiller have been specifically engineered for Maxim tiller and should only be replaced with Maxim parts. Contact your local Maxim Dealer for OEM replacement parts or contact our customer service department for assistance in parts, locating your local servicing dealer and more. Your local dealer is equipped and trained to handle service and repair for your tiller.

1.7 Model Identification

Please fill in your model and serial number below for future reference. This will help assist in prompt service when ordering parts and service from your local Maxim Dealer.

Tiller Model No. _____ Tiller Serial No. _____

Engine Model No. _____ Engine Serial No. _____

Refer to the image below for location of your serial number plate:



1.8 Further Assistance

Your dealer and all of us at Maxim want you to be pleased with your tiller. Should you require further assistance or have questions regarding your tiller, please contact your local dealer where you purchased your tiller. If you are unable to satisfy your needs by your local dealer, please contact us at:

Maxim
20195 South Diamond Lake Road, STE 100
Rogers, MN 55374
800-621-2789
www.maximmfg.com

2 SAFETY

2.1 General Safety Rules

- Read, understand and follow all instructions on the machine and in the manual(s). Be thoroughly familiar with the controls and proper use of the machine before starting.
- Use this equipment for its intended purpose only.
- Familiarize yourself with all of the safety and operating decals on this equipment and on any of its attachments or accessories.
- Do not put hands or feet near or under rotating parts.
- Only allow responsible individuals who are familiar with the instructions to operate the machine. Do not allow children to operate this machine. Do not allow adults to operate the machine without proper instruction.



- Thoroughly inspect the area where the machine is to be used and remove all foreign objects. Your equipment can propel small objects at high speed causing personal injury or property damage. Stay away from breakable objects, such as house windows, automobiles, greenhouse, etc.
- Wear appropriate clothing such as sturdy, rough-soled shoes (steel toe recommended) and close fitting pants and shirt. Loose fitting clothes or jewelry can be caught in moving parts. Never wear shorts. Never wear sandals, sneakers or open shoes, and never operate the machine with bare feet.
- Do not wear loose clothing or jewelry. They can get caught in moving parts. Always keep hands, feet, hair and loose clothing away from any moving parts on engine and machine.
- Always wear safety goggles or safety glasses with side shields when operating the machine to protect your eyes from foreign objects which can be thrown from the unit.
- Always wear a protective hearing device.
- Always wear work gloves and sturdy rugged soled footwear. Wear footwear that will improve footing on slippery surfaces. Leather work shoes or short boots work well for most people. These will protect the operator's ankles and shins from small sticks, splinters, and other debris.
- It is advisable to wear protective headgear to prevent the possibility of being struck by small flying particles, or being struck by low hanging branches, twigs or other objects which may be unnoticed by the operator.
- Do not operate the machine without proper guards or other safety protective devices in place.
- See manufacturer's instructions for proper operation and installation of accessories. Only use accessories approved by the manufacturer.
- Operate only in daylight.
- Do not operate product when fatigued or under the influence of alcohol, drugs or other medication which can cause drowsiness or affect your ability to operate machine safely.
- Never operate machine in wet grass. Always be sure of your footing; keep a firm hold on the handle and walk; never run.
- Watch for traffic when operating tiller near, or when crossing roads.
- If the equipment should start to vibrate abnormally, stop the engine (motor), flip the ON/OFF switch to the **OFF** position.
- Regularly inspect the machine. Make sure parts are not bent, damaged or loose.
- Temperature of muffler and nearby areas may exceed 150° F (65° C). Allow muffler and engine areas to cool before touching.
- Never pick up or carry the machine while the engine is running.
- Prolonged exposure to noise and vibration from gasoline engine-powered equipment should be avoided. Take intermittent breaks and/or wear ear protection from engine noise as well as heavy work gloves to reduce vibration in hands.
- Keep all screws, nuts and bolts tight.

- Do not transport the machine from one place to another with the engine running.
- Always turn off fuel supply valve on engine before transport.
- When moving the packaged machine, always do so with a partner.
- Check local regulations for age restrictions on use of this machine.

2.2 PRODUCT-SPECIFIC SAFETY RULES

- Do not till above underground utilities, including water lines, gas lines, electric cables or pipe. Contact appropriate utility representatives to determine if/where electrical cables, gas lines, water lines, etc. are buried BEFORE operation.
- Do not operate the machine on terrain/soil with large rocks and foreign objects which can damage the equipment.
- After striking a foreign object, stop the engine. Flip the ON/OFF switch to the **OFF** position. Inspect the machine for damage. If damaged, repair before starting and operating the machine.
- The tines of the tiller should not rotate when the engine is idling. If they do, contact your local dealer or Maxim technical service for instruction.
- If an object becomes lodged in the tines, flip the ON/OFF switch to the **OFF** position, then allow the machine to cool before attempting to remove the foreign object.
- The idler and belt will transfer maximum power after about two hours of normal operation. During this break-in period clutch slippage may occur. The clutch should be kept free of oil or other moisture for efficient operation.

2.3 ENGINE SAFETY PRECAUTIONS

Warning Carbon Monoxide Poisoning

Engines give off carbon monoxide, an odorless, colorless, poisonous gas. Carbon monoxide may be present even if you do not smell or see any engine exhaust. Breathing carbon monoxide can cause nausea, fainting or death, in addition to drowsiness, dizziness and confusion. If you experience any of these symptoms, seek fresh air and medical attention immediately.

WARNING

ENGINES GIVE OFF CARBON MONOXIDE, AN ODORLESS, COLORLESS, POISONOUS GAS. CARBON MONOXIDE MAY BE PRESENT EVEN IF YOU DO NOT SMELL OR SEE ANY ENGINE EXHAUST. BREATHING CARBON MONOXIDE CAN CAUSE NAUSEA, FAINTING OR DEATH, IN ADDITION TO DROWSINESS, DIZZINESS AND CONFUSION.

IF YOU EXPERIENCE ANY OF THESE SYMPTOMS, SEEK FRESH AIR AND MEDICAL ATTENTION IMMEDIATELY.

 **CAUTION**

HOT GASES ARE A NORMAL BY-PRODUCT OF A FUNCTIONING INTERNAL COMBUSTION ENGINE. FOLLOW ALL SAFETY INSTRUCTIONS TO PREVENT BURNS AND FIRES.

DO NOT ALTER/MODIFY ENGINE:

NEVER ALTER OR MODIFY THE ENGINE FROM THE FACTORY. SERIOUS INJURY OR DEATH MAY OCCUR IF ENGINE IS MODIFIED OR ALTERED.

WHEN WORKING ON OR REPLACING PARTS FOR THE ENGINE OR PRODUCT, YOU MUST ALWAYS FLIP THE ON/OFF SWITCH TO THE OFF POSITION.

PREVENTING CARBON MONOXIDE POSIONING

- Always start and run engine outdoors. Do not start or run engine in an enclosed area, even if doors or windows are open.
- Never try to ventilate engine exhaust indoors. Carbon monoxide can reach dangerous levels very quickly.
- Never run engine outdoors where exhaust fumes may be pulled into a building.
- Never run engine outdoors in a poorly ventilated area where the exhaust fumes may be trapped and not easily taken away. (Examples include: in a large hole or areas where hills surround your working area.)
- Never run engine in an enclosed or partially enclosed area. (Examples include: buildings that are enclosed on one or more sides, under tents, car ports or basements.)
- Always run the engine with the exhaust pointed in the direction away from the operator.
- Never point the exhaust towards anyone. People should always be a minimum of ten feet away from the operation of the engine and its attachments.
- Do not change the engine governor settings or over-speed the engine.

GASOLINE FIRES AND HANDLING FUEL SAFELY

 **Warning gasoline is highly flammable and explosive**

You can be burned or seriously injured when handling fuel. Use extreme care when handling gasoline or other fuels. They are flammable and vapors are explosive.

- When storing extra fuel be sure that it is in an appropriate container and away from any fire hazards.
- Prevent fire and explosion caused by static electric discharge. Use only nonmetal, portable fuel containers approved by the Underwriter's Laboratory (U.L.) or the American Society for Testing & Materials (ASTM).



- Always fill fuel tank outside in a well-ventilated area. Never fill fuel tank with fuel indoors. (Examples include: basement, garage, barn, shed, house, porch, etc.) Never fill tank near appliances with pilot lights, heaters, or other ignition sources. If the fuel has to be drained, this should be done outdoors. The drained fuel should be stored in a container specifically designed for fuel storage or it should be disposed of carefully.
- Never remove the fuel cap or add fuel with the engine running. Stop engine and allow to cool before filling.
- Do not smoke while using engine or around fuel.
- Never drain fuel from engine in an enclosed area.
- Always wipe up excess (spilled) fuel from engine before starting. Clean up spilled fuel immediately. If fuel is spilled, do not start the engine but move product and fuel container from area. Clean up spilled fuel and allow to evaporate and dry after wiping and before starting.
- Allow fuel fumes/vapors to escape from the air before starting the engine.
- Test the fuel cap for proper installation before starting and using engine.
- Always run the engine with fuel cap properly installed on the engine.
- Never smoke while refilling engine fuel tank.
- Do not store engine with fuel in fuel tank indoors. Fuel and fuel vapors are highly explosive.
- Never pour fuel from engine fuel tank.
- Never siphon fuel by mouth to drain fuel tank.
- Always have an adult fill the fuel tank and never allow children to fill the engine.
- Never allow anyone under the influence of drugs or alcohol to fill the engine.
- When storing gasoline or equipment with fuel in the tank, store away from furnaces, stoves, water heaters or other appliances that have a pilot light or other ignition source because they can ignite gasoline vapors.

BURNS AND FIRES

The muffler, muffler guard and other parts of the engine become extremely hot during the operation of the engine. These parts remain extremely hot after the engine has stopped.

- Never remove the muffler guard from the engine.
- Never touch the muffler guard because it is extremely hot and will cause severe burns.
- Never touch parts of the engine that become hot after operation.
- Always keep materials and debris away from the muffler guard and other hot parts of the engine to avoid fires.

CHILDREN AND BYSTANDERS

Tragic accidents can occur if the operator is not alert to the presence of children and/or bystanders. Never assume that others will remain where you last saw them.

- Keep the area of operation clear of all persons, especially small children and pets. Keep children under the watchful care of a responsible adult.
- Be alert and turn machine off if children enter the area.
- Before and while moving backwards, look behind and down for small children.
- Never allow children to operate the machine.
- Use extra care when approaching blind corners, shrubs, trees, or other objects that may obscure vision.

SERVICE

- Always stop the engine whenever you leave the equipment, before cleaning, repairing or inspecting the unit. Engine should be turned off and cool. Never make adjustments or repairs with the engine (motor) running. Flip the ON/OFF switch to the **OFF** position to prevent accidental starting.
- Always wear eye protection when you make adjustments or repairs.
- Keep all nuts and bolts tight and keep equipment in good condition.
- Never tamper with safety devices. Check their proper operation regularly.
- When servicing or repairing the machine, do not tip the machine over or up unless specifically instructed to do so in this manual. Service and repair procedures can be done with the machine in an upright position. Some procedures will be easier if the machine is lifted on a raised platform or working surface.
- To reduce fire hazard, keep machine free of grass, leaves or other debris build-up. Clean up oil or fuel spillage. Allow machine to cool before storing.
- Stop and inspect the equipment if you strike an object. Repair, if necessary, before restarting.
- Clean and replace safety and instruction decals as necessary.
- To guard against engine over-heating, always have engine air filter mounted and clean.
- Inspect machine before storage. When not in use, flip the ignition ON/OFF switch to the **OFF** position and store indoors in a dry place locked or otherwise inaccessible to children.
- Use only original equipment parts from the factory, including all nuts and bolts.

2.4 Safety Decals








This Tiller has been designed and manufactured to provide you the safety and reliability you would expect from an industry leader in outdoor power equipment manufacturing.

Reading this manual and the safety instructions it contains will provide you with the necessary basic knowledge to operate this equipment safely and effectively. We have placed safety decals on the tiller to remind you of some of this important information while you are operating the unit.

These important safety decals are illustrated below, and are shown here to help familiarize you with the content of the safety messages you will see as you perform normal tilling operations. Please review these decals now, and if you have any questions regarding its meaning or how to

comply with these instructions, reread the complete safety instruction text in this manual, or contact your local dealer.

Should a decal become unreadable because of being worn, faded or otherwise damaged during the use of your tiller; please use the part number information provide to order a replacement label. These decals are easily applied, and will act as a constant visual reminder to you, and others who may use the equipment, to follow the safety instructions necessary for safe, effective operation of your tiller.

<p>Item # 366720</p> 	<p>Item # 336784</p> 	<p>Item # 336776</p> 	<p>Item # 336777</p> 
<p>Item # 799546</p>			<p>Item # ZS001</p> 
<p>Item # 336799</p> 		<p>FIRE HAZARD</p> <ul style="list-style-type: none"> • Sparks can occur if blade/rotor strikes rocks, metal or other hard objects. • Do NOT use in high/very high fire hazard severity zones. • Operation of this equipment may create sparks that can start fires around dry vegetation. A spark arrester may be required. The operator should contact local fire agencies for laws and regulations relating to fire prevention requirements. 	

2.5 Training

1. Read the Owner’s Manual carefully. Be thoroughly familiar with the controls and the proper use of the equipment. Know how to stop the unit and disengage the tines quickly.
2. Never allow children to operate the equipment. Never allow adults to operate the equipment without proper instructions.
3. Keep the area of operation clear of all persons, particularly small children and pets.
4. Always stay alert. Watch what you are doing and use common sense. Do not operate unit when fatigued.
5. Understand the use of all tiller controls.

2.6 Preparation

1. Thoroughly inspect the area where the equipment is to be used and remove all foreign objects.
2. Disengage the idler before starting the engine (motor).
3. Always wear substantial footwear and long pants. Do not operate the equipment when barefoot or wearing open sandals.

4. Wear ear and eye protection. Eye protection must meet applicable CE requirements. To avoid hearing damage, we recommend hearing protection be worn whenever using the equipment.
5. Handle fuel with care; it is highly flammable.
6. Use an approved fuel container.
7. Never add fuel to a running engine or hot engine.
8. Fill fuel tank outdoors with extreme care. Never fill fuel tank indoors.
9. Replace gasoline cap securely and clean up spilled fuel before starting.
10. Never attempt to make any adjustments while the engine (motor) is running.

2.7 Operation

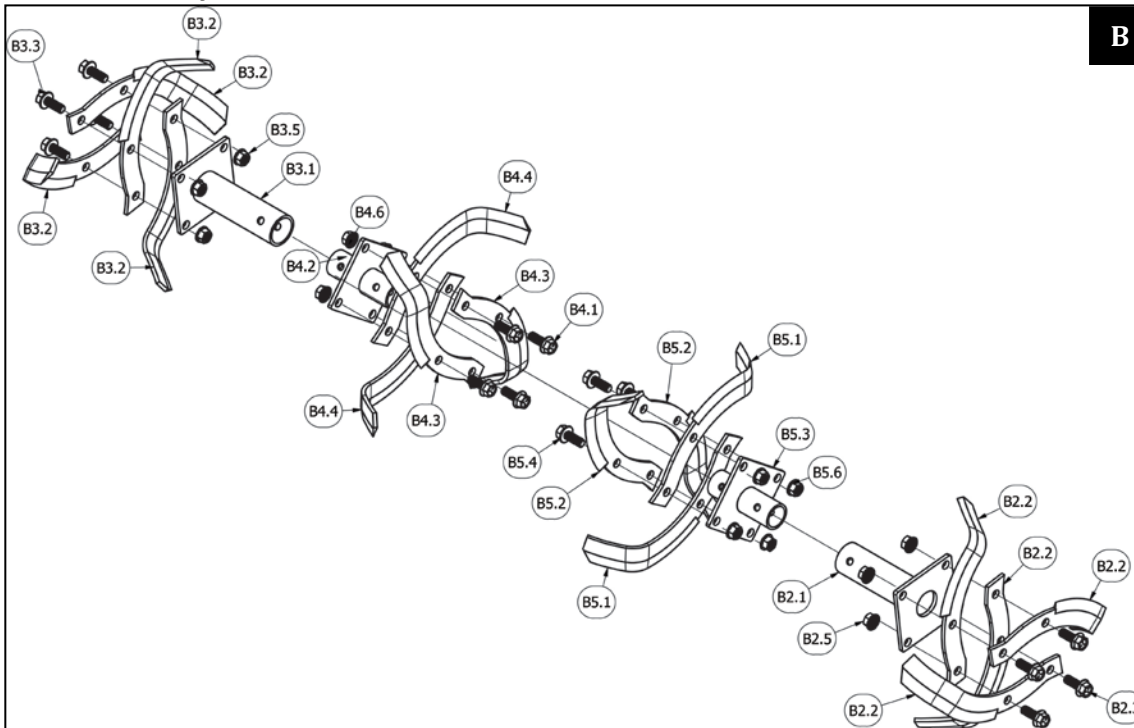
1. Do not put hands or feet near or under rotating parts.
2. Exercise extreme caution when operating on or crossing gravel drives, walks, or roads. Stay alert for hidden hazards or traffic. Do not carry passengers.
3. After striking a foreign object, stop the engine (motor) by turning the ON/OFF switch to **OFF**, thoroughly inspect the tiller for any damage, and repair the damage before restarting and operating the tiller.
4. Exercise caution to avoid slipping or falling.
5. If the unit should start to vibrate abnormally or make unusual noise, stop the engine (motor) and check immediately for the cause. Vibration is generally a warning of trouble.
6. Stop the engine (motor) when leaving the operating position.
7. Take all possible precautions when leaving the machine unattended. Disengage the tines, and stop the engine by turning the ON/OFF switch to **OFF**.
8. Before cleaning, repairing, or inspecting, shut off the engine and make certain all moving parts have stopped. Disconnect the spark plug wire, and keep the wire away from the plug to prevent accidental starting.
9. Do not run the engine indoors; exhaust fumes are dangerous.
10. Never operate the tiller without proper guards, plates, or other safety protective devices in place.
11. Keep children and pets away when operating.
12. Do not overload the machine capacity by attempting to till too deep or too fast.
13. Never operate the machine at high speeds on slippery surfaces. Look behind and use care when backing up.
14. Never allow bystanders near the unit.
15. Use only attachments and accessories approved by the manufacturer of the tiller.
16. Never operate the tiller without good visibility or light.
17. Be careful when tilling in hard ground. The tines may catch in the ground and propel the tiller forward. If this occurs, let go of the handlebars and do not restrain the machine.

2.8 Maintenance and Storage

1. Keep machine, attachments, and accessories in safe working conditions.
2. Check assembly pins, engine mounting bolts, and other bolts at frequent intervals for proper tightness to be sure the equipment is in safe working condition.
3. Never store the machine with fuel in the fuel tank inside a building where ignition sources are present, such as hot water and space heaters, clothes dryers, etc. allow the engine to cool before storing in any enclosure.
4. Always refer to the storage instructions (Section 10) for important details if the tiller is to be stored for an extended period.

3 PARTS BREAKDOWN

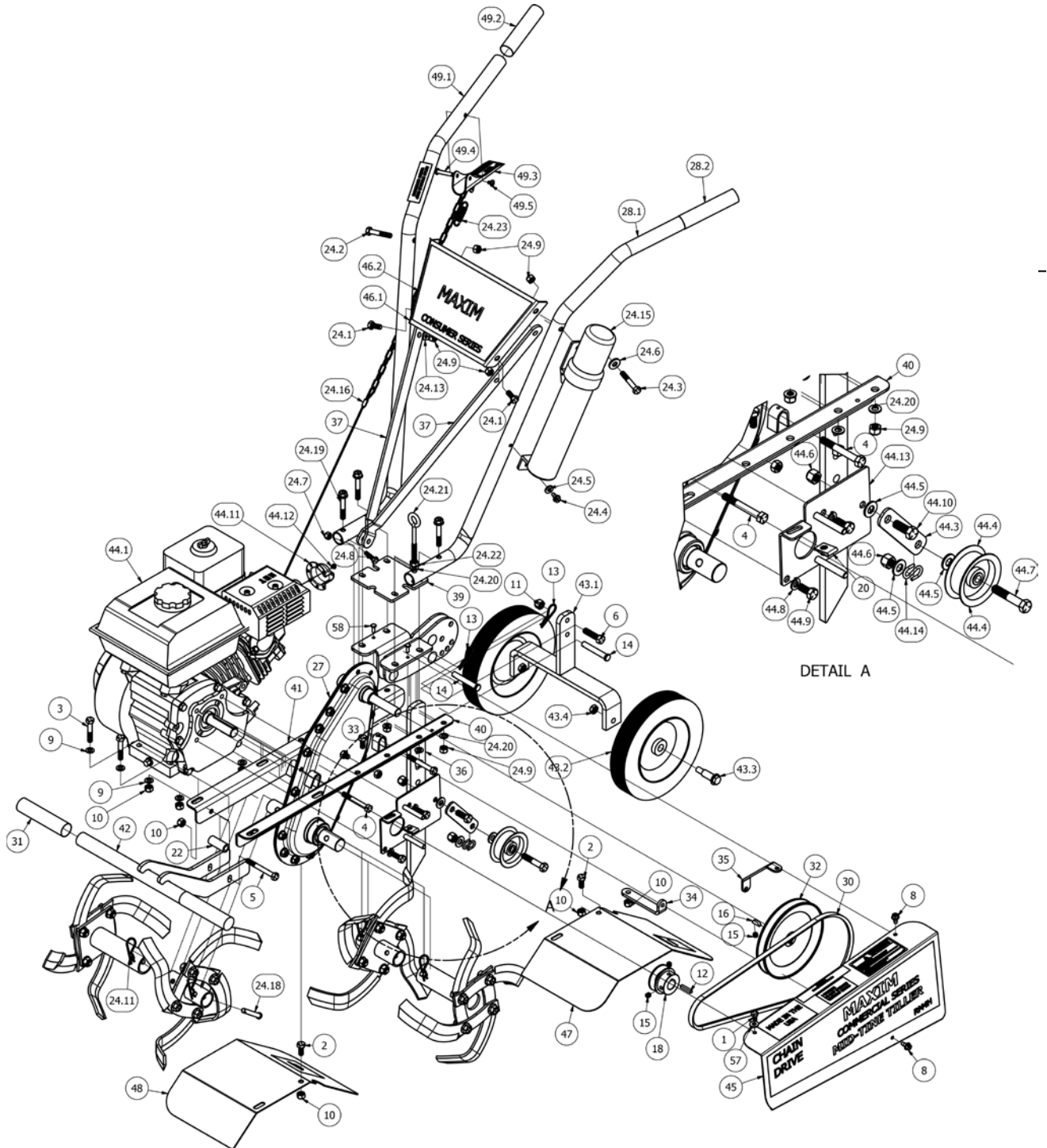
3.1 Tine Assembly Breakdown



REF	QTY	PART #	DESCRIPTION
B	1	130832	COMPLETE TINE ASSEMBLY
B2	1	130827	LEFT HAND OUTER TINE ASSEMBLY
B2.1	1	130822	OUTER HUB WELDMENT
B2.2	4	130820	RIGHT HAND BOLO TINE
B2.3	4	87564	3/8-16 X 1 HHFB
B2.5	4	800311	NUT, SFLNG, 3/8-16, ZINC
B3	1	130828	RIGHT HAND OUTER TINE ASSY
B3.1	1	130822	OUTER HUB WELDMENT
B3.2	4	130821	LEFT HAND BOLO TINE
B3.3	4	87564	3/8-16 X 1 HHFB
B3.5	4	800311	NUT, SFLNG, 3/8-16, ZINC

B4	1	130829	LEFT HAND INNER TINE ASSEMBLY
B4.1	4	87564	3/8-16 X 1 HHFB
B4.2	1	130823	INNER HUB WELDMENT
B4.3	2	130820	RIGHT HAND BOLO TINE
B4.4	2	130821	LEFT HAND BOLO TINE
B4.6	4	800311	NUT, SFLNG, 3/8-16, ZINC
B5	1	130830	RIGHT SIDE INNER TINE ASSEMBLY
B5.1	2	130820	RIGHT HAND BOLO TINE
B5.2	2	130821	LEFT HAND BOLO TINE
B5.3	1	130823	INNER HUB WELDMENT
B5.4	4	87564	3/8-16 X 1 HHFB
B5.6	4	800311	NUT, SFLNG, 3/8-16, ZINC

3.2 Frame Parts Breakdown



Belt Guard Decal
Part # 87574



Cross Brace Decal
Part # 336919



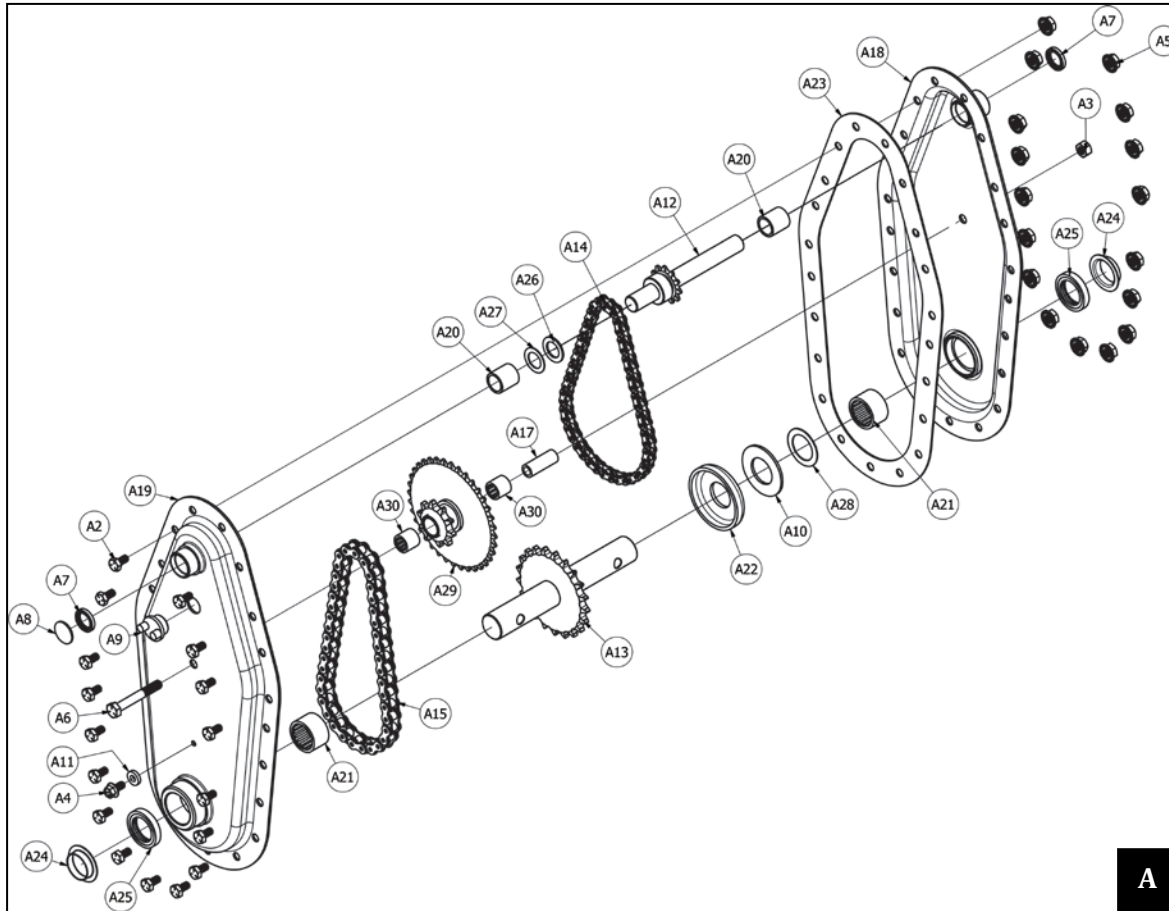
Made In USA Decal
Part # 797158



RM4H

REF#	QTY	PART #	DESCRIPTION				
1	1	400104	BOLT,HHCS,1/4-20 X 1/2,GR5,ZINC	31	2	313786	HANDLE GRIP, 1
2	3	400184	5/16-18 X 3/4 HEX SCREW GR 5-ZINC	32	1	336662	PULLEY, 6" X 5/8"
3	4	80039	5/16-18 X 1-3/4 HEX SCREW GR 5-	33	4	359337	SPACER,TRANS.
4	3	400200	5/16-18 x 2 1/2 HHCS GR5 ZP	34	1	359764	BRACKET LOWER BELT GUARD
5	1	80045	BOLT, HHCS, 5/16-18X2 3/4, GR5-ZINC	35	1	359765	BRACKET UPPER BELT GUARD
6	1	400265	3/8-16 X 1-1/2 HEX SCREW GR 5-ZINC	36	1	359769	DRAG STAKE - PAINT (M30B)
8	2	400104	1/4-20 X 1/2 THRD CUT HEX - ZINC	37	2	359774	BRACE, HANDLE LEFT AND RIGHT
9	8	80205	5/16 SAE FLAT WASHER - ZINC	39	1	500024	REAR SUPPORT, TOP PLATE
10	11	86101	5/16 NYLON LOCK NUT	40	1	359771	LEFT HAND CHASSIS RAIL
11	1	86383	NUT, NYLOCK, 3/8-16, GR5, ZINC	41	1	359772	RIGHT HAND CHASSIS RAIL
12	1	86454	KEY-SQUARE 3/16 X 1	42	1	500030	WLDM, GUARD, ENGINE
13	2	460312	HAIRPIN, RU, 3/8-7/16, 1-7/8, ZINC	43.1	1	359770	WHEEL YOKE WLDT ASSY (PARTS)
14	2	461466	PIN, CLEVIS, 3/8, 2-1/4, ZINC	43.2	2	130726	WHEEL, 8" X 1.75" <HD> (RM30B)
15	3	87268	5/16-18 X 5/16 SETSCREW ZN	43.3	2	359330	WHEEL SHOULDER BOLT 2 5/16"
16	1	87269	3/16 X 3/4 WOODRUFF KEYK9N	43.4	2	444719	NUT, JAM, NYLOCK, 3/8" NC, ZN
18	1	87332	2 X 3/4 C/SHAFT PULLEY	44.1	1	GX120UT2QX2	ENGINE 118CC HONDA HORIZ. GX120
20	1	87373	NUT, CLIP, 1/4-20, 0025-015, BLACK	44.1	1	400260	BOLT, HEX, 3/8-16 X 1.00, ZINC
22	1	500065	SPACER, TUBE	44.11	1	MUF-18340	MUFFLER DEFLECTOR
24.1	2	400184	5/16-18 X 3/4 HEX SCREW GR 5-ZINC	44.12	2	87437	8 X 1/4 FLG HEAD SCREW AB
24.11	4	460312	HAIRPIN, RU, 3/8-7/16, 1-7/8, ZINC	44.13	1	359776	BRACKET, BELT KEEPER ASSEMBLY
24.13	1	87374	P-CLIP, 3/8 X 9/16, GAL	44.14	1	359360	S-HOOK
24.15	1	790471	HOLDER, MANUAL, SMALL	44.3	1	359766-03	PLATE, ARM, IDLER
24.16	1	87568	ASSY, CABLE, CLUTCH	44.4	1	359321	IDLER PULLEY, 2-1/4" X 3/8"
24.18	4	87668	PIN, CLEVIS, 5/16 X 1-3/4"	44.5	4	80206	WASHER, SAE, 3/8, ZINC
24.19	3	400196	BOLT, FHH, 5/16-18 X 2, GR5, ZINC	44.6	2	86383	NUT, NYLOCK, 3/8-16, GR5, ZINC
24.2	5	80205	5/16 SAE FLAT WASHER - ZINC	44.7	1	400267	BOLT, HHCS, 3/8-16 X 2, GR5, ZINC
24.2	1	80039	5/16-18 X 1-3/4 HEX SCREW GR 5-	44.8	2	80196	5/16 LOCK WASHER - ZINC
24.21	1	800110	BOLT, EYE, 5/16-18 X 3, GR 5, ZP	44.9	2	86667	BOLT,HHCS,5/16-24 X 3/4,GR5,ZINC
24.22	1	443106	NUT, HEX, 5/16-18, GR5, ZINC	45	1	359773-RM4H	ASSY, GUARD, BELT, RM4H
24.23	1	87686	SPRING, EXTENSION (HEAVY)	46.1	1	130682-A	CROSS BRACE - BEND (R & HONDA)
24.3	1	400196	5/16-18 X 2 HEX SCREW GR 5 - ZINC	46.2	1	336742	DECAL, CROSSBRACE
24.4	1	400104	1/4-20 X 1/2 THRD CUT HEX - ZINC	47	1	162092-SD	ASSY, GUARD, TINE, LH
24.5	1	80212	1/4 USS FLAT WASHER - ZINC	48	1	162091-SD	ASSY, GUARD, TINE, RH
24.6	1	80214	WASHER, 5/16, USS, ZINC	49.1	1	130698-SD	R.H. HANDLE
24.7	1	85128	1/4" NYLON LOCK NUT	49.2	1	313786	HANDLE GRIP, 1
24.8	1	400112	1/4 X 1 HEX SCREW GR 5 - ZINC	49.3	1	336683-SD	CLUTCH LEVER - PAINT (MS)
24.9	8	86101	5/16 NYLON LOCK NUT	49.4	1	87372	POST, BINDING, 0.25 X 1.25, ZINC
27	1	130350	TRANSMISSION, COMPLETE	49.5	1	87425	BOLT, TRUSS, #10-24 X 5/16, ZINC
28.1	1	130699	L.H. HANDLE - PAINT	57	1	80212	1/4 USS FLAT WASHER - ZINC
28.2	1	313786	HANDLE GRIP, 1	58	2	87652	3/16 DIAM X 1/2 AL. SOL FLT HD RIVT
30	1	272241	BELT, L437	59	1	85128	1/4" NYLON LOCK NUT
				60	1	400112	1/4 X 1 HEX SCREW GR 5 - ZINC

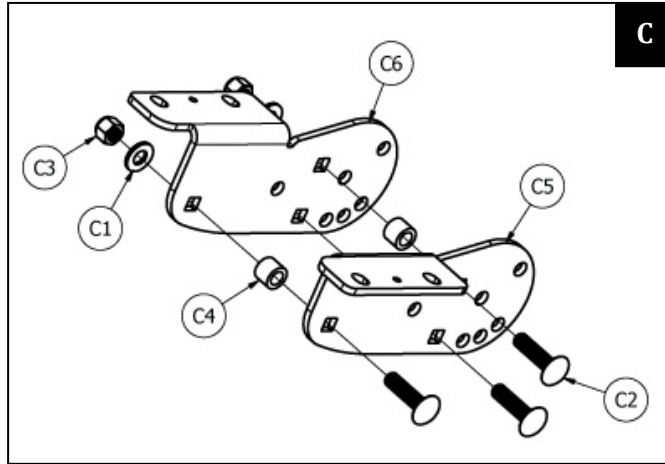
3.3 Transmission Parts Breakdown



REF #	QTY	PART #	DESCRIPTION
A	1	130350	COMPLETE TRANSMISSION
A1	1	59354	SEALANT, GASKET, BRUSH-ON
A2	17	400104	BOLT,HHCS,1/4-20 X 1/2,GR5,ZINC
A3	1	443106	NUT, HEX, 5/16-18, GR5, ZINC
A4	1	408883	1/4-20 X 1/2 HEX SER FL SCREW
A5	17	445768	1/4-20 SERRATED FLANGE NUT ZINC
A6	1	400197	5/16-18 X 2 1/4 HHCS ZP
A7	2	359294	OIL SEAL, INPUT (MINI)
A8	1	359310	PLUG, EXPANSION
A9	1	359312	OIL FILL PLUG
A10	1	359320	WASHER, .093 X 2OD X 1 1/16ID
A11	1	359336	WASHER, RUBBER SEAL
A12	1	359781	INPUT SHAFT ASSY (35A11)<MINI>
A13	1	359782	OUTPUT SHAFT ASSBLY (A40A21)
A14	1	359783	CHAIN, UPPER #35 X 50L (MINI)

REF #	QTY	PART #	DESCRIPTION
A15	1	359784	CHAIN, LOWER #40 X 40L (MINI)
A17	1	359788	SPACER, BEARING RACE (BUSHING)
A18	1	359791	LEFT HAND CASE SIDE (MINI)
A19	1	359792	RIGHT HAND CASE SIDE (MINI)
A20	2	359795	BUSHING, INPUT (MINI) #AA811-6
A21	2	359796	BEARING, (SCE-1612) OUTPUT (MINI)
A22	1	359799	SPACER, OUTPUT SHAFT
A23	1	359800	GASKET, CHAIN CASE (MINI)
A24	2	359828	DUST COVER - CUT & FORM (RM4H)
A25	2	359829	OIL SEAL, OUTPUT (MINI)
A26	1	455049	WASHER, SHIM 41/64 X 1 X .0625
A27	1	455062	WASHER, SHIM 41/64"X 1"X .032"
A28	1	455065	SHIM WASHER 1-1/2X1-1/32X.0312
A29	1	359786	CLUSTER, SPROCKET (MINI)
A30	2	359787	BEARING (SCE-810) IDLER (MINI)

3.4 Rear Support Breakdown



REF #	QTY	PART #	DESCRIPTION
C	1	500023	COMPLETE REAR SUPPORT
C1	3	80206	WASHER, SAE, 3/8, ZINC
C2	3	86035	3/8-16X1-1/2 CARR SCREW GR 5 ZINC
C3	3	86383	NUT, NYLOCK, 3/8-16, GR5, ZINC
C4	3	359265	SPACER, REAR SUPPORT
C5	1	500021	SIDE PLATE, REAR SUPPORT LEFT SIDE
C6	1	500022	SIDE PLATE, REAR SUPPORT RIGHT SIDE

3.5 General Information

Engine	Honda GX120UT2QX2, 118cc
Transmission	Chain Drive
Tine speed (max)	150 RPM
Tines	Heavy-Duty Bolo Tines w/ Replaceable, Bolt-On Blades
Tilling width	13" or 19"
Tilling depth	Up to 8"
Drag Bar	Standard
Handles	1"-14" Gauge Tubular Steel
Hitch	Stamped Hitch w/3/8" 1 -1/2" Drag Stake
Tires	8 x 1.75 (for transport only)
Dimensions (L x W x H)	55" x 23" x 36"
Shipping weight	110 lbs.

4 ASSEMBLY

Prior to assembling your tiller, make sure that you have a clear work space and that there are no missing parts.

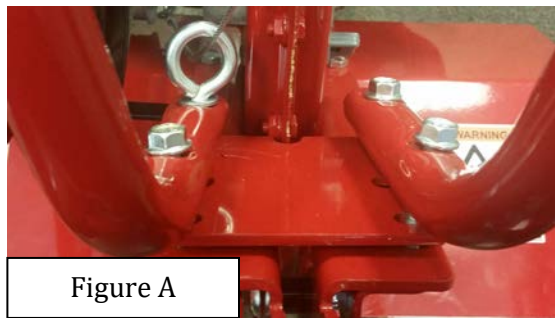
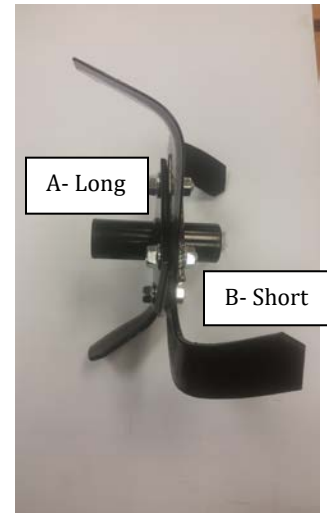
1. Remove the tiller from the box. Take out all unassembled parts, parts bag, and protective packing and safety maintenance manuals. Do not attempt to lift the tiller from the box. After opening the top, cut all four sides of the box and lay the sides flat on the floor of working space.

2. Use caution when assembling the tines to the tiller. A second person is recommended to help stabilize the tiller during this step. Assemble the inner tine assemblies to the transmission. Secure with clevis and hair pins.

The long end (A) of the tube/hub goes next to the transmission, short end (B) to outside for outer tine set.

Be sure the cutting edge of all the blades, faces the direction of the tilling tine rotation (forward).

3. Assemble the outside tines to the inner tine tubes and secure with clevis and hair pins. Your tiller now can stand on the mounted tines and wheels and is ready to continue assembly.
4. Remove the three 5/16 x 2" bolts and one 5/16 x 3" eye bolt from mounting frame/chassis. These are used temporarily to mount assembly to frame/chassis by the factory. Remove hardware noting location of each bolt, these will be reinstalled to mount handle bars in next step. Leave the spacer plate on the frame/chassis.
5. Install handlebars, over spacer plate, making certain to place the handle bar with the clutch engagement lever on the righthand side. See figure A below. Using the hardware in step five, reattach the lower end of the handle bars, one side at a time to the rear of the frame/chassis using the same holes for each bolt as shown in photo below. The eye bolt needs to be in the left front hole with nut and/or washer on the top side, along with washer, lock nut on the underside. A washer and lock nut should be used on the underside of all four bolts. Assemble all hardware snug but do not tighten.



6. Assemble the handle bar support brackets, having a single hole in each end, to the open hole in the top of the transmission, using a $\frac{1}{4}$ x 1" bolt and lock nut. See figure B prev. pg.
7. Assemble the handle panel to the handle bars and supports using two of $\frac{5}{16}$ x $\frac{3}{4}$ " bolts on bottom mounts and one $\frac{5}{16}$ x 2" for mounting the top hole of the manual tube left side, one $\frac{5}{16}$ x $1\frac{3}{4}$ " on right side. Note the location of the clutch cable guide to the lower right mount. See following image.



8. Using the $\frac{1}{4}$ x $\frac{1}{2}$ " self-tapping hex head and flat washer, secure the bottom of manual tube to left handle.
9. Tighten all bolts and nuts.
10. Route the looped end of the clutch cable down through the cable guide, through eye bolt and attach it to the "S" link mounted by factory on idler pulley bolt.
11. Attach the chain end to the spring and then to the clutch lever mounted towards the top of the righthand handle. Select a chain loop that will stretch the spring slightly when the clutch lever is pulled against the handle bar.
12. With the engine switch in the OFF position and clutch lever released, pull the engine starter rope several times to be sure that the tines do not turn.
13. Insert drag bar with the leading edge going forward and secure with a clevis and hair pin at desired depth.
14. Mount front engine guard/handle to frame using $1\text{-}\frac{5}{16}$ x $2\frac{3}{4}$ " bolt with spacer tube on inside of frame/chassis, secure with lock nut.

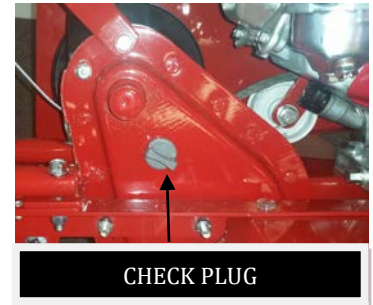


4.1 Final Set-up

1. Check the transmission to ensure that it has the proper amount of lube. With the tiller on level ground:
 - a. Remove check plug.
 - b. If needed, Use 90 wt. gear lube.
 - c. Fill until check plug hole overflows.
 - d. Replace plug. NOTE: do not overtighten.
2. Remove the engine dipstick and fill crankcase with oil according to engine owner's manual.

NOTE: Engine is shipped from factory without oil. You must add engine oil before starting engine. If engine is started without oil engine may be damaged beyond repair and will not be covered by warranty.

3. Fill the fuel tank. Use clean, fresh, lead-free gasoline. Fill the tank completely. **DO NOT MIX OIL WITH GASOLINE.**



5 OPERATING CONTROLS

5.1 Speed

1. The tiller will dig deeper and move forward slower by pushing down on the handles.
2. The tiller will go ahead faster but at a shallower depth by raising the handles.
3. The speed of the tines is controlled by the use of the throttle control lever.

5.2 Depth of Tilling

1. The proper throttle speed and correct up and down hand pressure on the handles must be used.
2. Raising up means going forward, this action releases the grip of the drag stake in the soil, allowing the tiller to progress ahead.
3. Pushing down means slowing down or even standing still. This directs the drag stake into the soil, thus holding the tiller back.
4. Adjust throttle for desired speed and depth of tines.

5.3 Throttle Control Lever

The throttle control lever, located on the engine, controls engine speed. When starting, place control lever in center position. Then adjust to desired speed. To stop engine, move throttle control lever to low idle position. Turn on/off switch to **OFF** position.

5.4 Engage Lever

The clutch is disengaged when clutch lever is away from handle grip. To engage clutch, depress clutch lever to handle.

6 OPERATION

6.1 Before Operating

1. Check your tiller. Be sure all bolts are tight. After several hours of operating and at periodic maintenance intervals, check all fasteners and tighten securely as required.
2. Check oil and fill according to the engine owner's manual.

⚠ WARNING: Engine is shipped from factory without oil. You must add engine oil before starting engine. If engine is started without oil engine may be damaged beyond repair and will not be covered by warranty.

3. Read engine manual for full instructions and safety warnings.
4. Place tiller on level ground.
5. Remove dipstick. Wipe with clean cloth.
6. Reinsert dipstick (do not screw dipstick back in). Remove dipstick and check.
7. Oil should be at FULL level.
8. If oil is required, add slowly. Recheck level.
9. Change oil if contaminated.
10. Tighten dipstick and clean around oil fill area before starting.
11. Fill engine with clean unleaded gasoline according to the engine owner's manual.

⚠ WARNING: Gasoline is flammable. Use caution when handling or storing gasoline. Never fill the gas tank while the engine is running or hot. Allow the engine to cool before adding gas. Clean any spilled gasoline.

12. Check the air cleaner element. Ensure that the air filter is clean and maintained according to engine owner's manual
13. Familiarize yourself with all operating controls.

⚠ DANGER: Never operate the tiller without proper guards, plates, or other safety devices in place. Serious injury or death could result.

⚠ WARNING: Do not attempt to start or operate this tiller until you are completely familiar with location and use of each control necessary to operate this tiller. You must know how to stop this machine before you start it. Each time prior to starting, check the throttle control lever to ensure it is working properly.

6.2 Starting the Engine

Before starting the engine, check the machine against the Set-Up instructions (section 4) to see that it is properly assembled. Review the safety suggestion and operating instructions for safe and proper use of the tiller.

6.3 Pre-Start

1. Check the spark plug wire for proper connection on the spark plug.
2. Fill the fuel tank with clean, fresh, regular gasoline from a sealed container.
3. Check the oil for proper level.
4. Make certain clutch lever is in disengaged position.

6.4 Filling Fuel Tank

We recommend the use of clean, fresh, lead-free gasoline. The use of lead-free gasoline results in few combustion deposits and longer valve life. Do not fill fuel tank completely, allow space for fuel to expand. Provide approximately ¼” of tank space for fuel expansion.

1. Shut-off engine and allow engine to completely cool before refilling the fuel tank.
2. Move to a well-ventilated area, outdoors, away from flames and sparks.
3. Clean debris from area around the fuel cap.
4. Loosen fuel cap slowly. Prevent the cap from coming in contact with dirt or debris.
5. Carefully add fuel without spilling.
6. Do not fill gas tank completely full, allow space for fuel to expand.
7. Immediately replace fuel cap and tighten. Wipe off spilled fuel to allow it to dry before starting engine.



CAUTION

ENGINE IS SHIPPED FROM FACTORY WITHOUT OIL. YOU MUST ADD ENGINE OIL BEFORE STARTING ENGINE. IF ENGINE IS STARTED WITHOUT OIL, ENGINE MAY BE DAMAGED BEYOND REPAIR AND WILL NOT BE COVERED BY WARRANTY. NEVER STORE ENGINE WITH FUEL IN THE TANK INDOORS. FUEL AND FUEL VAPORS ARE HIGHLY FLAMMABLE. AN ADULT ONLY MUST ALWAYS HANDLE AND FILL THE ENGINE WITH FUEL. ALWAYS HANDLE GAS IN A WELL-VENTILATED AREA, OUTDOORS, AWAY FROM FLAMES OR SPARKS. DO NOT START ENGINE IF FUEL IS SPILLED. WIPE OFF EXCESS FUEL AND ALLOW TO DRY. REMOVE ENGINE FROM AREA TO AVOID SPARKS.

6.5 Checking and adding Oil

1. Be sure the engine is located on a level surface before checking or refilling oil. Clean around oil fill area.
2. Be sure engine is cool.
3. Unscrew dipstick and wipe clean with cloth.
4. Reinsert dipstick (do NOT thread for accurate reading).
5. Remove and check dipstick. If no oil shows on the dipstick, refill so that the oil level appears between the low and high marks on the dipstick.
6. Change oil if contaminated.

***NOTE: See engine Owner's Manual for proper oil maintenance instructions**

⚠ IMPORTANT

ENGINE MUST BE ON LEVEL SURFACE WHEN CHECKING OIL LEVEL OR FILLING WITH OIL. FAILURE TO DO SO CAN RESULT IN OVERFILLING THE ENGINE WITH OIL WHICH WILL IMPAIR THE ENGINE'S PERFORMANCE.

6.6 Cold Starting Procedure

1. Move throttle control lever to center position.
2. Move choke control to choke position. Hold the handle with your left hand while pulling the starter rope with your right. Pull the rope out slowly until the engine reaches the start of the compression cycle (the rope will pull slightly harder at this point). Then allow the rope to retract fully.
3. Pull the rope with a continuous full arm stroke. Keep a firm grip on the starter handle and let the rope rewind slowly. Do not let the handle snap back against the starter.
4. Repeat steps number 2-3 above until engine starts. If engine fails to start after 3 pulls on the rope, repeat step number 1 above as necessary. Slowly move choke control to RUN position after engine has responded and engine warms up.
5. As the engine warms up, move the throttle lever to full throttle position. Allow engine warm-up period before operating tiller.

⚠ NOTE: A warm engine may start without choking. Do not use the choke if engine is hot.

6.7 Stopping Engine

1. Move the throttle control to idle position.
2. Turn ON/OFF switch to off position.
3. Disconnect the wire from the spark plug to prevent accidental starting of the machine while it is unattended.

6.8 Operation

⚠ IMPORTANT: Keep hands clear of belt and tines while engine is running.

⚠ WARNING: For safe operation, the chain drive must disengage immediately when clutch lever is released. If it does not, adjust belt and cable tension as described in Section 7 in this manual.

Never leave the tiller unattended with the engine running.

⚠ DANGER

To prevent personal injury, the chain drive must disengage immediately when clutch lever is released. If it does not, stop the tiller, adjust belt and cable tension as described in Adjustments section of this manual. Never leave the tiller unattended with the engine running. Children are attracted to a running tiller and could be injured if struck by the rotating tines.

⚠ WARNING

Keep hands clear of belt and tines while engine is running. Never attempt to adjust or clean tines while engine is running, at risk of sever injury.

1. When ground is hard (especially during spring and fall plowing), place wheels in up position by pulling the pin from the wheel yoke and repositioning it in the wheel frame bar in the up position. For weeding or cultivation, wheels may be left down if you prefer.
2. Adjust the drag stake for comfortable operation. This is done by pulling the locking pin from the drop stake locking hub and sliding the drag stake down or up. The drag stake should be set so that when it is firmly in the ground, and your hands are on the tiller handle, your arms hand comfortably with the elbows slightly bent.
3. Move the throttle control to center position. Start the engine and allow it to warm up, then set the throttle at about half speed. After you have become familiar with the tiller, you may want to run the engine a little faster.
4. Press down firmly on the handles, and squeeze the clutch lever. The tines will begin to turn, but the tiller should not move forward. If it does, don't pull backwards – merely press down harder on the handles. When you find the right amount of downward pressure so that the tines are digging and the tiller is not moving forward, release the pressure slightly. As you release it you'll notice the tiller beginning to move forward.

⚠ NOTE: The whole tilling operation is controlled by the amount of pressure you put on the drag stake. Do not fight the tiller. Stand between the handles and press down to go slower and dig deeper, and release the downward pressure to move forward faster. In normal soil, the actual up and down movement of the handles will be no more than an inch or two.

6.9 Operation Tips

To acquire the knack of letting the tiller do the work without effort on the part of the operator, we offer the following suggestions:

1. Adjust drag stake so the handles are at such a height that your arms hang straight down to contact them. Rear wheels should be in up position for deep tillage or ease of turning in confined areas.
2. Operate the tiller at about $\frac{3}{4}$ throttle.
3. Don't hurry the job – proceed at a slow walk – give the machine time to do its job.
4. Concentrate on keeping your arms relaxed (There is a natural tendency for any beginner to tense up). Operating the tiller actually takes very little effort. Let the tiller do the work.
5. When tilling on sloping ground, turn the front of the machine uphill to sufficiently counteract the tendency to run downhill.
6. For best results, operate at reduced throttle settings when ground is extremely hard or rough.
7. Tighten all nuts and bolts periodically.

6.10 Tilling Pattern

1. Whenever possible till the soil in the direction in which the planting or rows will run. If the soil is extremely hard and dry, it may be advisable to till across the plot on the first digging and then obtain the depth you want by tilling in the direction the planting will be done.

7 ADJUSTMENTS

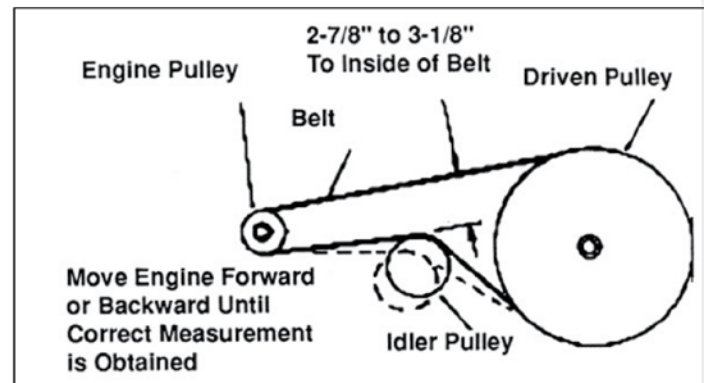
DANGER

To avoid possible serious bodily injury, when performing any adjustments, remove the spark plug wire and place the wire away from the plug to prevent accidental starting.

7.1 Clutch Adjustment

Proper clutch adjust is very important. Minor adjustment, if needed, can be made by using the links on the clutch cable chain only. However, the friction type clutch may need further adjustments as the "V" belt wears. Adjust as follows:

1. Remove belt guard.
2. Loosen 4 engine mount bolts. Slide engine forward or backwards as required.
3. Unhook clutch cable from load spring.
4. Push upward on idler pulley to take all slack from the drive belt. Distance between the inside of belt at the idler pulley should be between 2 7/8 and 3 1/8 of an inch.
5. Ensure pulleys are aligned with a long straight edge.
6. Retighten engine mounting bolts (17 foot lbs. of torque).
7. Remove all the slack from clutch cable and hook spring in proper chain link.
8. Check your adjustment by starting the tiller and holding the tines off the ground. If the tines turn without any hand pressure on the engage lever, the adjustment is too tight. Unhook the clutch load and hook into next chain link to lengthen clutch cable. If the cable spring on the clutch handle doesn't stretch when you hold the clutch handle all the way in, the adjustment is too loose. Unhook spring end from chain and hook next link to shorten clutch cable.



7.2 Wheel Height Adjustment

1. Wheel position may be adjusted. To place wheels in up position, pull the locking pin from the wheel yoke and repositioning the wheel frame bar with pin to reposition and lock wheels in the up position. For weeding or cultivation, wheels may be left down if you prefer.

7.3 Tine Adjustment


The standard tilling width is 26" with both inner and outer tine assemblies mounted. Tilling width is 14" with outer assemblies removed.

1. To remove outer tine assemblies from inner tine assemblies, remove pin clip from clevis pin.
2. Slide clevis pin out and remove outer tine assembly.

DANGER

To avoid possible serious bodily injury, when performing any adjustments, remove the spark plug wire and place the wire away from the plug to prevent accidental starting.

8 Maintenance

 **DANGER:** To avoid possible serious bodily injury, when performing any adjustments, remove the spark plug wire and place the wire away from the plug to prevent accidental starting.

8.1 Periodic Check

1. Regularly check all bolts and nuts for tightness.
2. If the belt begins to bottom out on the engine pulley, then replacement of the pulley is needed. This is noticeable by the pulley "V" bottom becoming shiny.

8.2 Engine Oil

1. Check the oil level before starting the engine and after every five hours of operation.
2. Be sure engine is cool.
3. Before removing the filler plug, clean the area around it to prevent dirt from entering the oil fill hole.
4. The engine should be in a level position when checking the oil.
5. Remove the filler plug and fill the crankcase with oil.
6. Use a high-quality detergent oil – refer to your engine owner's manual for oil requirements.
7. Add oil as necessary to keep oil level as indicated. Detergent oils keep the engine cleaner and reduce the formation of gum and varnish deposits. Nothing should be added to the recommended oil.
8. Change the oil after the first 20 hours of operation and every 100 hours there-after or every 6 months, whichever comes first. Always change oil while the engine is warm. Oil may be drained through the oil drain port towards the bottom of the engine. Refer to your Engine Owner's Manual for complete details.

8.3 Dual Filter Element Air Cleaner

Clean cartridge at three month intervals or every 50 hours, whichever occurs first.

⚠ NOTE: Service more often under dust conditions.

1. Remove the wing nut from the air cleaner cover and remove cover.
2. Remove the wing nut from the air filter and remove the filter.
3. Remove the foam filter from the paper filter.
4. Inspect both air filter elements and replace them if they are damaged.
5. Always replace the paper air filter element at 300 hours.

⚠ NOTE: Replace or clean cartridge included with DUAL ELEMENT AIR CLEANER yearly or every 300 hours as described in CARTRIDGE AIR CLEANER. Service more often if necessary.

8.4 Cleaning the Cooling System

1. Remove blower housing and clean regularly.

⚠ NOTE: Grass or chaff may clog cooling system after prolonged service. Continued operation with a clogged cooling system causes severe overheating and possible engine damage.

8.5 Belt Replacement

The drive belt located on the left side of the machine. To replace a worn or slipping belt proceed as follows:

⚠ DANGER: To avoid possible serious bodily injury, when performing any adjustments, remove the spark plug wire and place the wire away from the plug to prevent accidental starting.

1. Remove belt guard.
2. Make sure clutch lever is in disengaged position.
3. Start at the top of 10" pulley and begin removing belt in clockwise direction (facing tiller from left side). If tension on belt is too great the idler pulley may be pulled downward to relieve pressure on belt.
4. Once belt is off 10" pulley, remove it from smaller pulley.
5. Replace belt by reversing sequence of steps above.
6. Replace belt guard.

8.6 Cleaning

⚠ IMPORTANT: If the engine has been running, allow it to cool for at least half an hour before washing.

1. Wash the tiller, including the underside, after use.
2. Wash the engine by hand, and be careful to prevent water or debris from entering the air cleaner.

⚠ NOTE: Do not use a garden hose or pressure washing equipment, it can force water into the air cleaner. Water in the air cleaner will soak the filter element and can enter the carburetor or engine cylinder, causing damage.

3. After washing the tiller, wipe dry.
4. After the tiller is clean and dry, touch up any damaged paint and coat other areas with a light film of oil.
5. Wipe the tines with oil or spray to prevent rusting.

9 LUBRICATION

9.1 Wheels

Lubricate wheels and wheel support shafts once a month or every 40 operation hours with #30 oil. Apply oil to axle and hub at back of wheel. Spin to allow oil to move into bearings.

In extremely dusty conditions, wheels may become tight because of dust in bearing area. When this condition occurs, remove the wheels. Clean axle and wheel bearing surfaces with solvent or emery cloth, then oil and reassemble.

9.2 Clutch Lever Pivots

Apply a Few drops of SAE 30 oil to the clutch hand lever and idler lever pivots as required to maintain a free and smooth operation of clutch.

9.3 Transmission

Fill transmission with machine in normal upright position. Fill plug is located on the upper right hand side. Use 90 weight gear lube. Capacity is approximately 16 ounces. Remove fill plug. Remove check plug. Fill until check plug hole overflows. Replace plugs. NOTE: Be careful not to overtighten fill or check plugs.

If excessive oil leakage appears around tine rotor shaft, the seals and shields must be replaced. No need to remove transmission and split case halves for tine shaft seals and shields replacement.

9.4 Idler Arms Pivot

Lubricate idler arm pivots once a month or every 40 operating hours with #30 oil.



10 STORAGE

10.1 Engine

1. If your tiller is to be stored over 30 days, please see your Engine Owner's Manual for storage information. The engine should be completely drained of fuel to prevent gum deposits from forming on essential carburetor parts, fuel filter, fuel lines and tank.
2. Refer to engine manual for further engine storage procedures.

10.2 Tiller

1. At the end of the season or if tiller is to be stored for any length of time it should be cleaned following the cleaning instructions in Section 8.6.

11 TRANSPORTING

To transport tiller from garden to storage area:

1. Move the throttle control to idle position.
2. Turn ON/OFF switch to **OFF** position.
3. Turn fuel supply valve off at carburetor supply shut off.
4. Place wheels in down position by pulling the locking pin from the wheel yoke and repositioning the wheel frame bar and reinsert pin to lock wheels in the up position.
5. Raise drag stake. This is done by pulling the spring-loaded locking pin from the drop stake locking hub and sliding the drag stake up and reinsert pin.

12 WARRANTY

12.1 Warranty/Product Registration

Please register your product immediately after purchase. You can do that by visiting our website at www.maximmfg.com and complete our online product registration.

MAXIM **Made in the USA**
with US and Imported Components

Aerators | Edgers | Plows | Sprinklers | Tillers | Trimmers | Accessories

PRODUCT REGISTRATION FORM

* Required Field

Product Registration Form

First Name: *

Last Name: *

Address: *

Address Line 2: *

City: *

State: *

Zip Code: *

Country: *

Email: *

Phone: *

Model #: *

Serial Number: *

Date of Purchase: *

Purchased from: *

Address: *

City: *

State: *

Zip: *

Please select your application type.

Homeowner

Commercial

Rental

Additional Message:

Or, complete the following warranty/production registration form on the next page and return to:

Maxim
Attn: Warranty Registration Department
20195 South Diamond Lake Road, STE 100
Rogers, MN 55374



Product Registration Form

YOUR INFORMATION

Full Name:

Last First M.I.

Address:

Street Address Apartment/Unit #

City State ZIP Code

Home Phone:

Alternate Phone: _____

Email

PURCHASED FROM

Company:

Address:

Street Address Apartment/Unit #

City State ZIP Code

MODEL INFORMATION

Purchase Date

Application Type

Homeowner Commercial Rental

Model (i.e. RMT55H)

Serial # (i.e. RMT55HA01234567)

Signature

**Register your product online at www.maximmfg.com
Or, Fax completed form to: 866-779-9963**



20195 South Diamond Lake Road, Suite 100 • Rogers, MN 55374
 Toll-Free: 800-621-2789 • Website: maximmfg.com • Email: sales@maximmfg.com

Dear Valued Customer:

The Maxim Product you just purchased is built with the finest material and craftsmanship. Use this product properly and enjoy the benefits from its high performance. By purchasing a Maxim Product, you show a desire for quality and durability. Like all mechanical equipment this unit requires a due amount of care. Treat this unit like the high quality piece of machinery it is. Neglect and improper handling may impair its performance and is not covered by this limited warranty.

Thoroughly read the instructions and understand the operation before using your product. Always contact Maxim Product Support at 1-800-621-2789 prior to having any service or warranty work performed, as some services performed by parties other than Maxim approved service centers may void this warranty. This limited warranty is in lieu of any other warranty expressed or implied, written or oral and Maxim assumes no other responsibility or liability outside that expressed within this limited warranty.

**Limited Warranty for Maxim Product:
 Aerators, Lawn Rollers, Plows, Tillers, Trimmers**

**Excludes MTC35H Mini Max Tiller/Cultivator*

	Consumer Warranty Period	Commercial Warranty Period
Weldments	2 years from date of purchase by user	2 years from date of purchase by user
Gear Case	2 years from date of purchase by user	1 year from date of purchase by user
Wear Parts	In addition to the normal warranty, Maxim shall warrant some normal wear items from defects in material or workmanship for a period of 30 days from the date of purchase by user. Normal wear items covered under this warranty are limited to: High impact wear related components such as standard retention hardware for wear items, tines and tine assemblies, seals, seal shields, bearings, bushings, gaskets, belts, roller chain, tires and wheel assemblies, throttle or choke control and cable assemblies, mower and edger blades, mower deck pans. Routine maintenance items such as lubricants, belt adjustments, tune ups, and damage from operation with loose hardware are not covered under limited warranty.	
Engines	The engine warranty is covered under the terms and conditions as outlined by the engine manufactures warranty contained herein and is the sole responsibility of the engine manufacturer. Normal engine maintenance such as spark plugs, oil changes, air filters, adjustments, fuel system cleaning and obstruction due to build up is not covered by this Maxim limited warranty.	

“**Consumer use**” means personal residential household use by a consumer. “**Commercial use**” means all other uses, including, but not limited to, use for commercial, income producing or rental purposes or when purchased by a business.

This limited warranty applies to the original purchaser of the equipment (verification of purchase, in the form of a receipt, is the responsibility of the buyer), is non-transferable, and covers parts and labor. Parts will be replaced or repaired at no charge, except when the equipment has failed due to lack of proper maintenance. If a part is no longer available, the part may be replaced with a similar part of equal function. Any misuse, abuse, alteration or improper installation or operations will void warranty. Determining whether a part is to be replaced or repaired is the sole decision of Maxim. Maxim will not provide for replacement of complete products due to defective parts. Any costs incurred due to replacement or repair of items outside of a Maxim approved facility is the responsibility of the buyer and not covered under warranty. Transportation costs to and from service center and/or service calls are the responsibility of the customer.

This limited warranty specifically excludes the following: failure of parts due to damage caused by accident, fire, flood, windstorm, acts of God, applications not approved by Maxim in writing, corrosion caused by chemicals, use of replacement parts which do not conform to manufacturer’s specifications, damage related to rodent and/or insect infestation and damage caused by vandalism. Additional exclusions: loss of running time, inconvenience, loss of income, or loss of use, including any implied warranty of merchantability of fitness for a specific use. Also, outdoor power equipment needs periodic parts and service to perform well, and this limited warranty does not cover instances when normal use has exhausted the life of a component or the engine.

This limited warranty does not cover any personal injury or damage to surrounding property caused by failure of any part, misuse or inability to use the product. Alteration of the product, including safety features, shall void this limited warranty.



RM4H



Maxim
20195 South Diamond Lake Road
Suite 100
Rogers, MN 55374
www.maximmfg.com
800-621-2789