



EBR021270K

Four-Way wedge kit

Contents:

BR021270

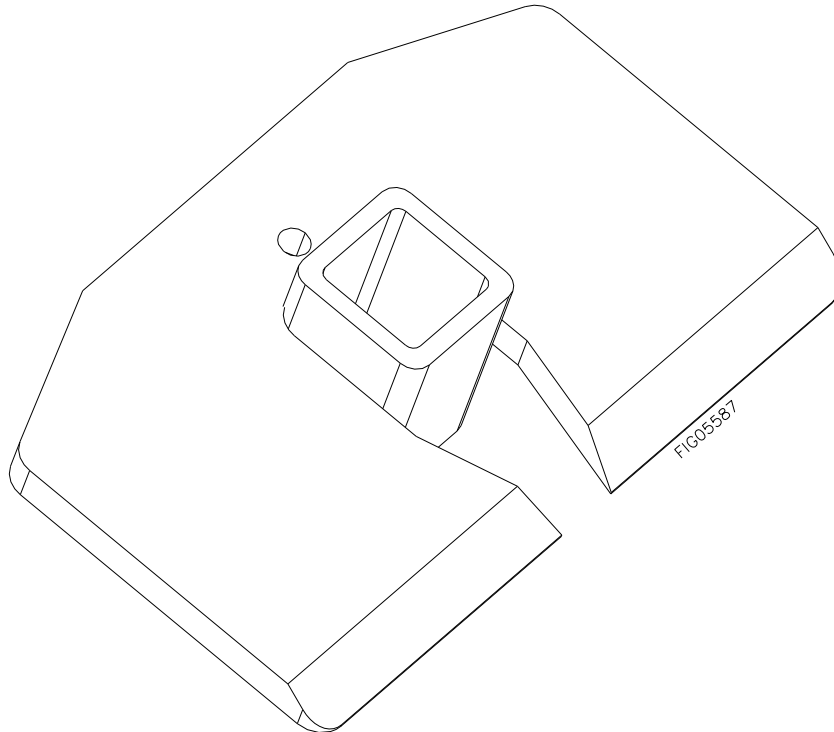
BR021271

BR020264

BR020265

82215

82217



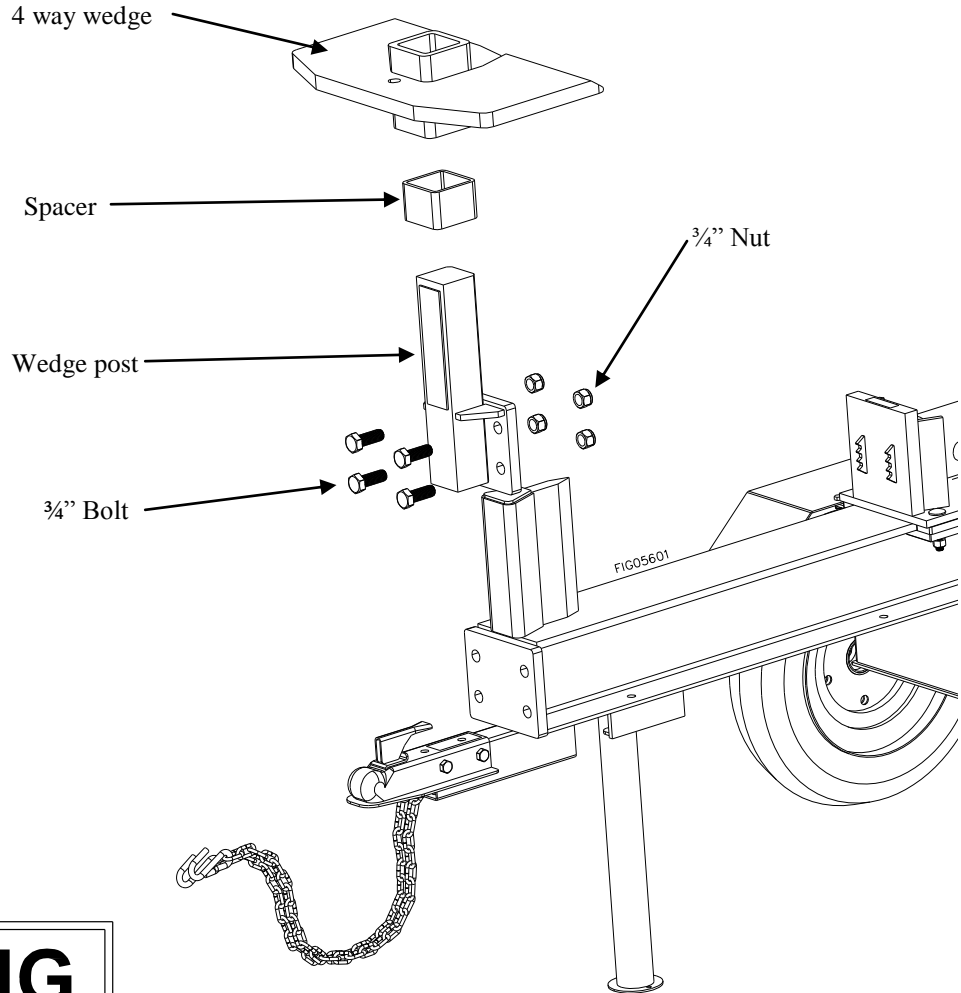
IMPORTANT!

See Installation Instructions section of this manual prior to installing the four-way wedge.

Installation Instructions:

- 1) Mount wedge post to beam aligning all four holes.
- 2) Install using (4) 3/4" – 10 x 2.5" bolts and (4) 3/4" -10 nylon insert nuts.
- 3) Slide the spacer and 4 way wedge onto the wedge post

Exploded View



⚠ WARNING

- 4-Way Wings create additional pinch points when the wedge is moving forward or backwards. Keep hands clear of the wedge, wedge wings, and the log while the wedge is moving. When the log is caught on the wedge do not use the auto-return feature. Retract wedge manually, paying close attention so the log does not hit the engine or control valve.
- Pay particular attention to stringy wood, such as elm, because it becomes lodged on the wedge easily.
- Discontinue use if wedge wings or wedge is damaged or defective.

Any Questions, Comments, Problems, or Parts Orders
*Call your dealer or I&O Customer Service at 1-800-817-1005
or Brave Customer Service at 1-800-350-8739*