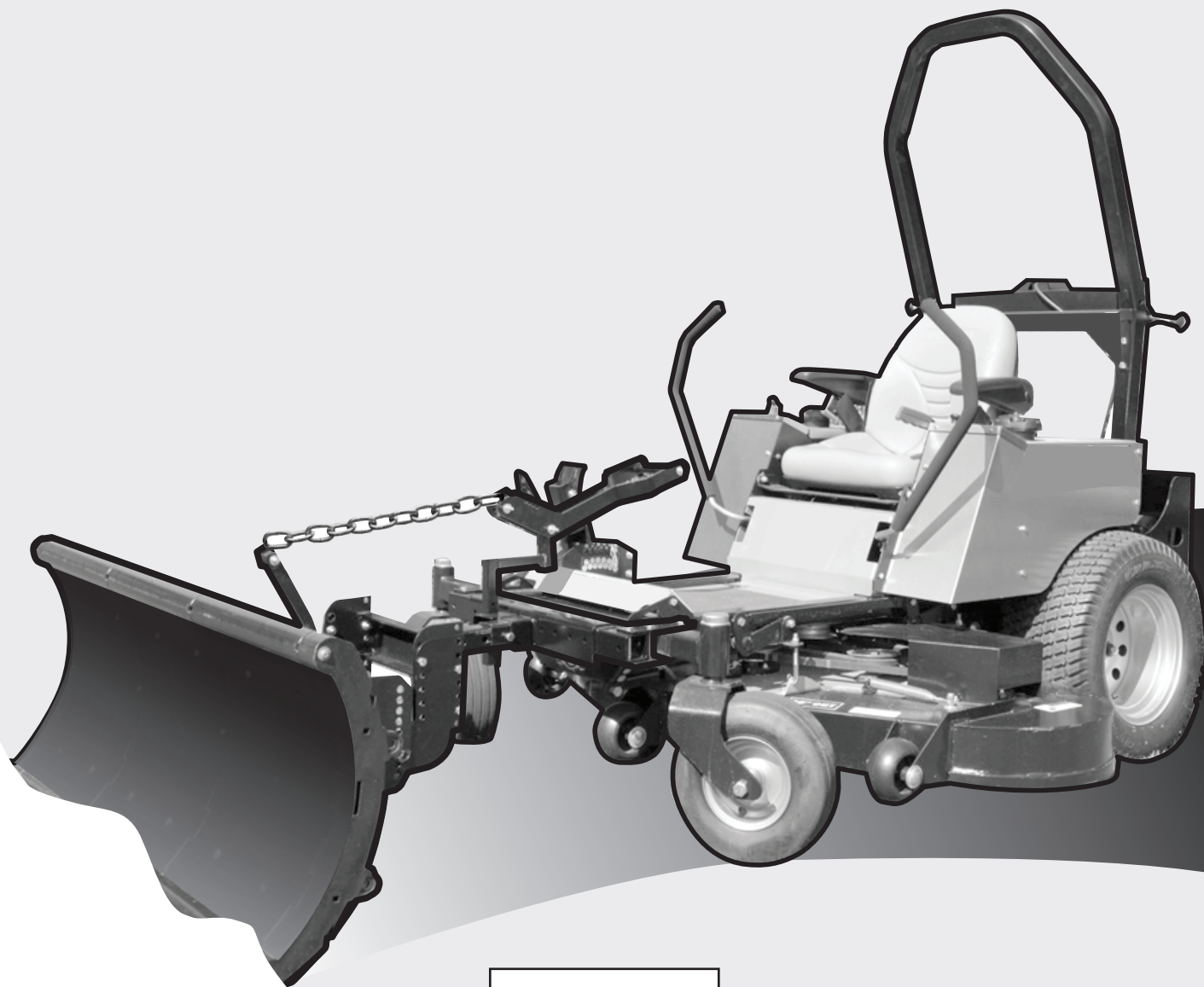




ZERO TURN 64" MOUNTING KIT INSTRUCTIONS

DEVELOPED BY NORDIC PLOW™



ASSEMBLY
TIPS

INSTRUCTIONS FAQs & TIPS

SAFETY

Read and understand the plow instructions, Warranty & FAQ and Tips before use.

Scan the QRC instructional videos on the first page or watch the videos on our website before use: www.nordicplow.com

Always instruct other users before they use the plow.

OPERATION

Risk of Injury:

- Never allow children to handle the plow.
- Never allow anyone to walk beside or sit on the plow when in use.
- ^a **Never operate the plow over 2 to 3 mph. Keep a slow steady speed.**
- If you hit an obstruction, immediately stop the vehicle and reverse direction.

STEP 2-4: Use Spacer (Part #39) on 3" wide frame units. Use bolt (Part #35) to attach the bracket when possible, but we have included a longer bolt (Part #34) if needed. This assembly **must** be tightened securely to the frame before use.

STEP 5: Foot Pedal Bracket (Part #57) can be placed on either side of the hitch as preferred by operator.

STEP 8: Using bolt (Part #31) and locknut (Part #22) attach (Part #48) and (Part #50) to the 4th hole from the top of (part #51).

STEP 9: Insert hitch (Part #55) into hitch receiver (Part #56). Before attaching bolts to Boot Plate (Part #52), measure the axle hole so it is 7" (178mm) above the ground as shown in step 11.

STEP 10: Attach (Part #47) into the set of holes that will line up with the same side the foot pedal is on as determined in Step 5.

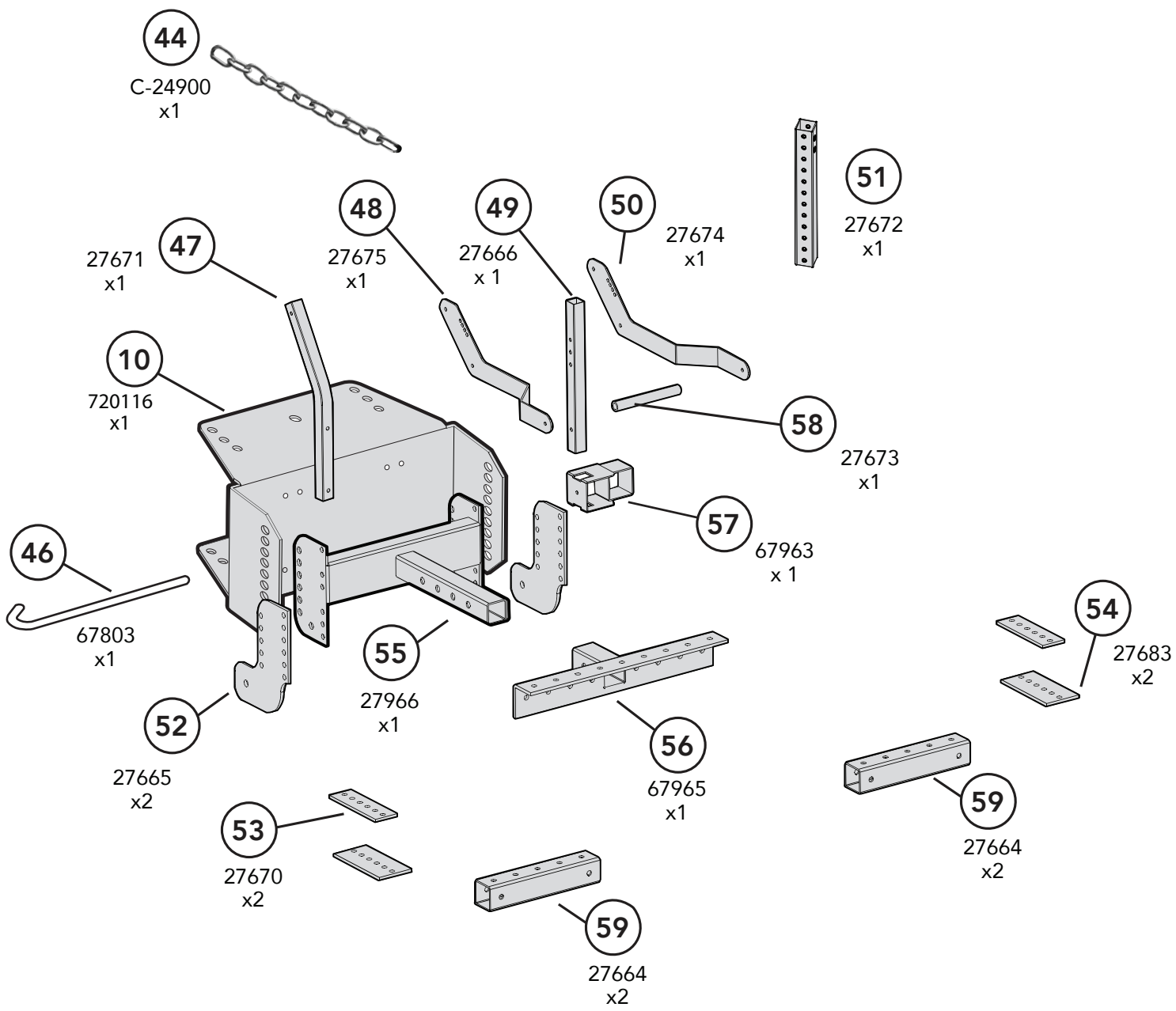
STEP 11: Slide spacers (Part #40 & 41) onto the axle (Part #47) and in between the boot plates (Part #52) and Spring Pivot Bracket (Part #10) as shown.

STEP 12: Adjust the foot pedal to the desired height by raising and lowering (Part #51). The higher you raise (Part #51), the more chain you will need and the higher the plow blade will lift. Bottom image shows a method to lock the blade in the up position while traveling.

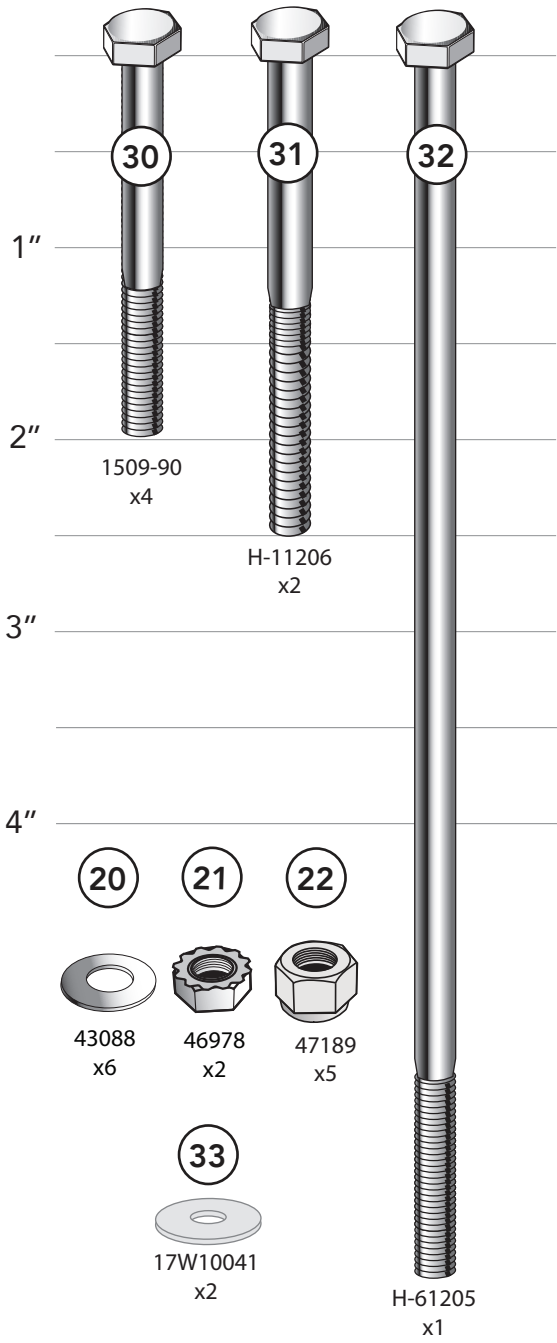
1-888-662-7569 (PLOW)

771 W. North Avenue West Chicago, IL 60185

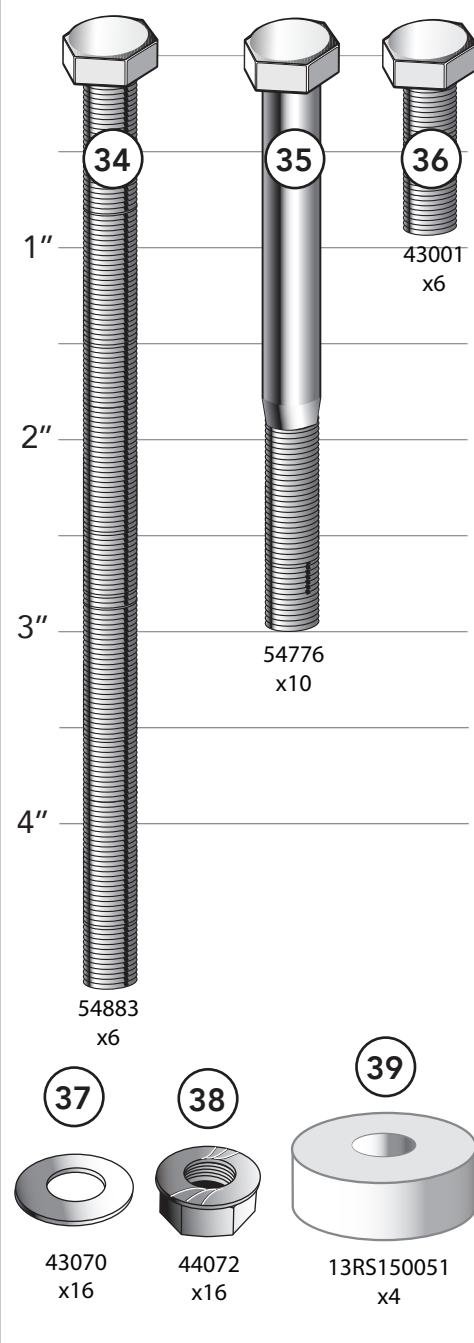
www.nordicplow.com



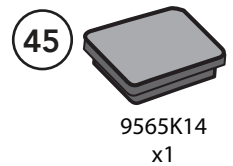
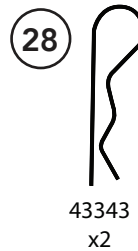
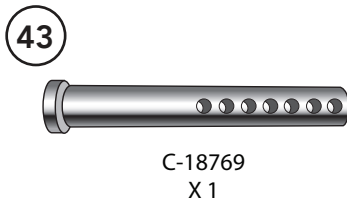
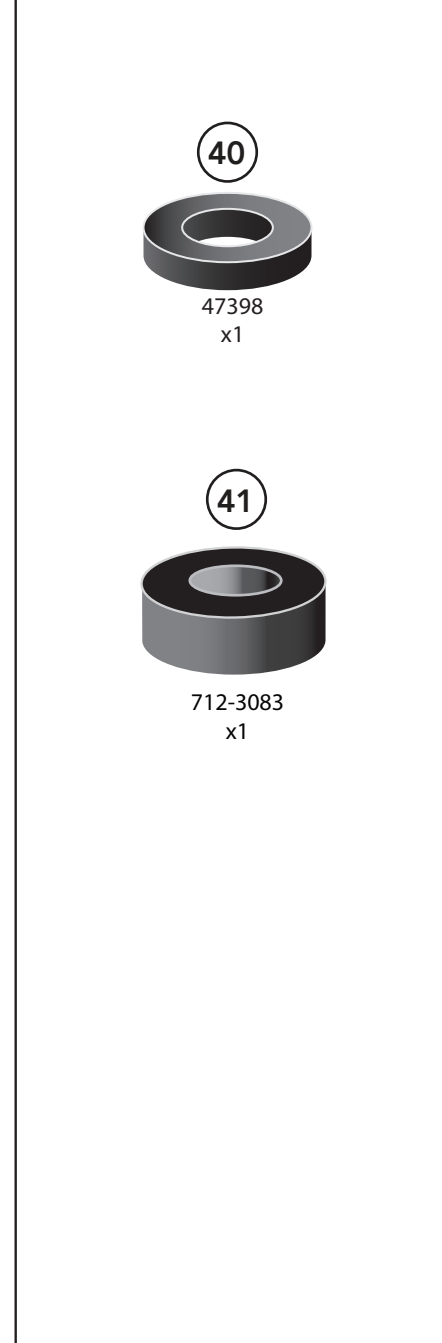
1/4"



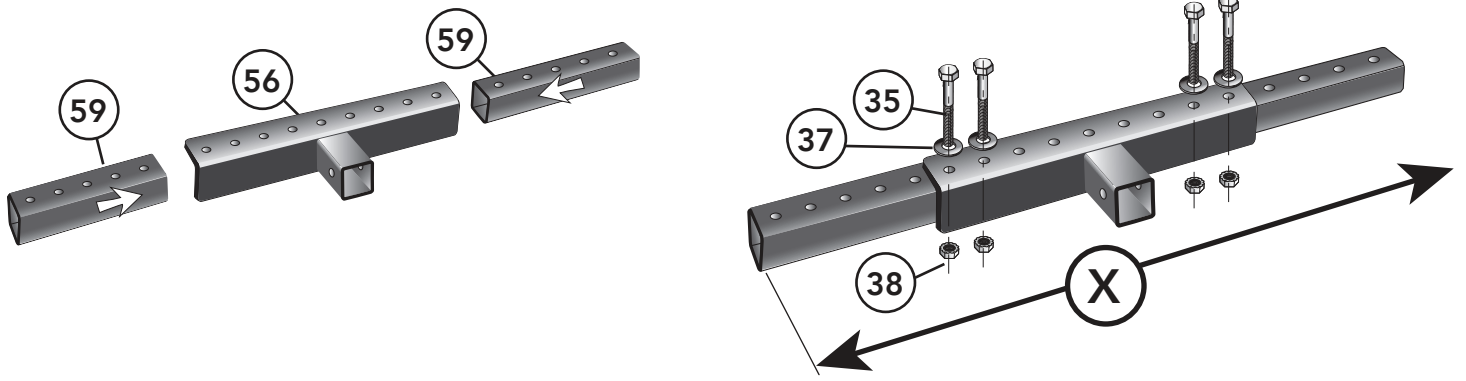
3/8"



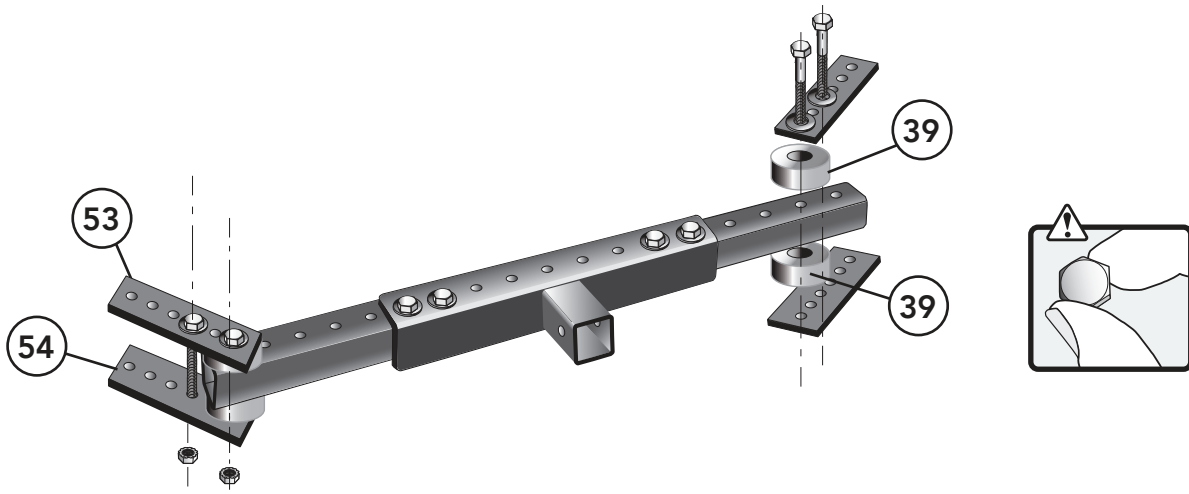
1/2"



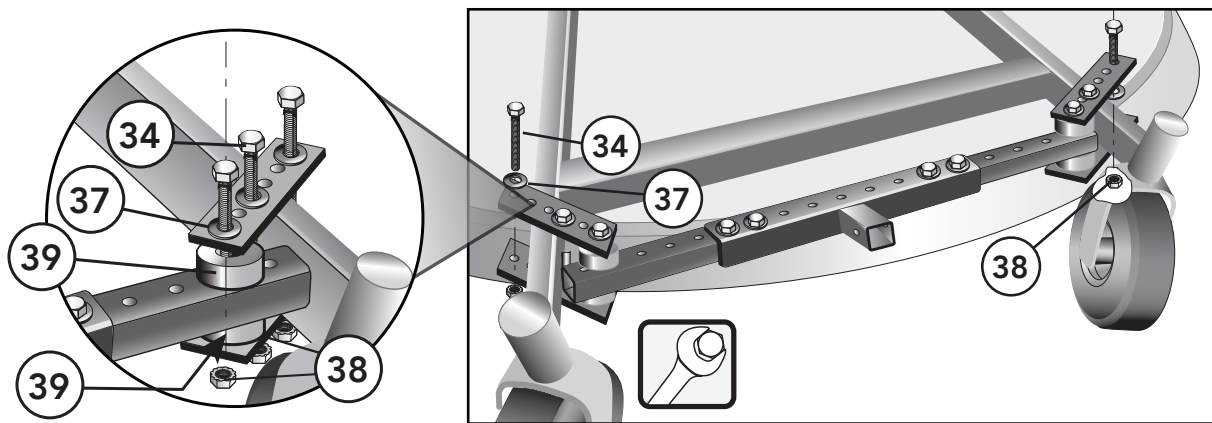
1



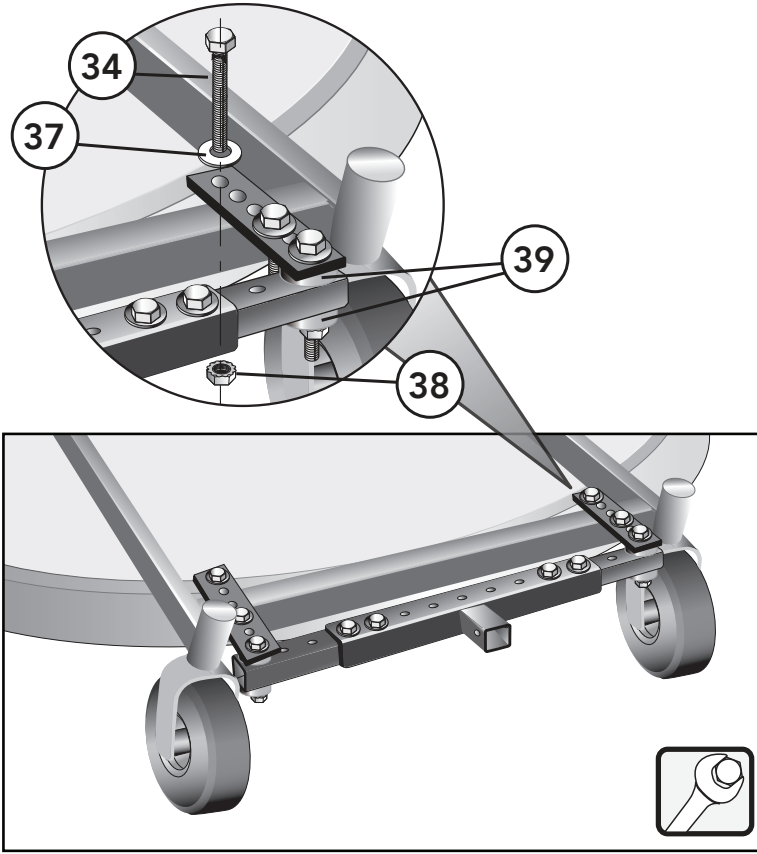
2



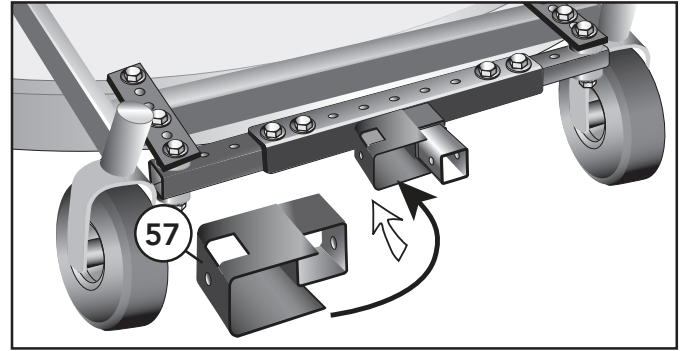
3



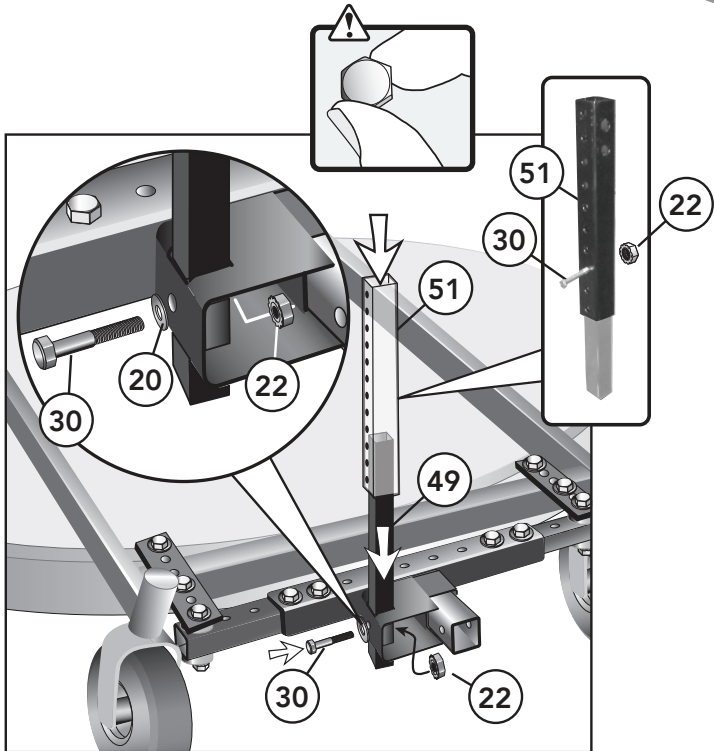
4



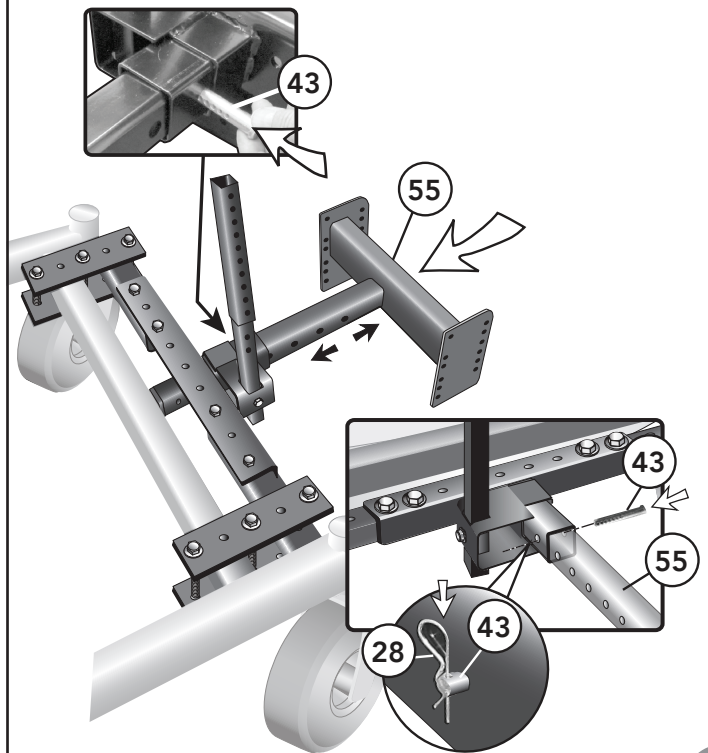
5

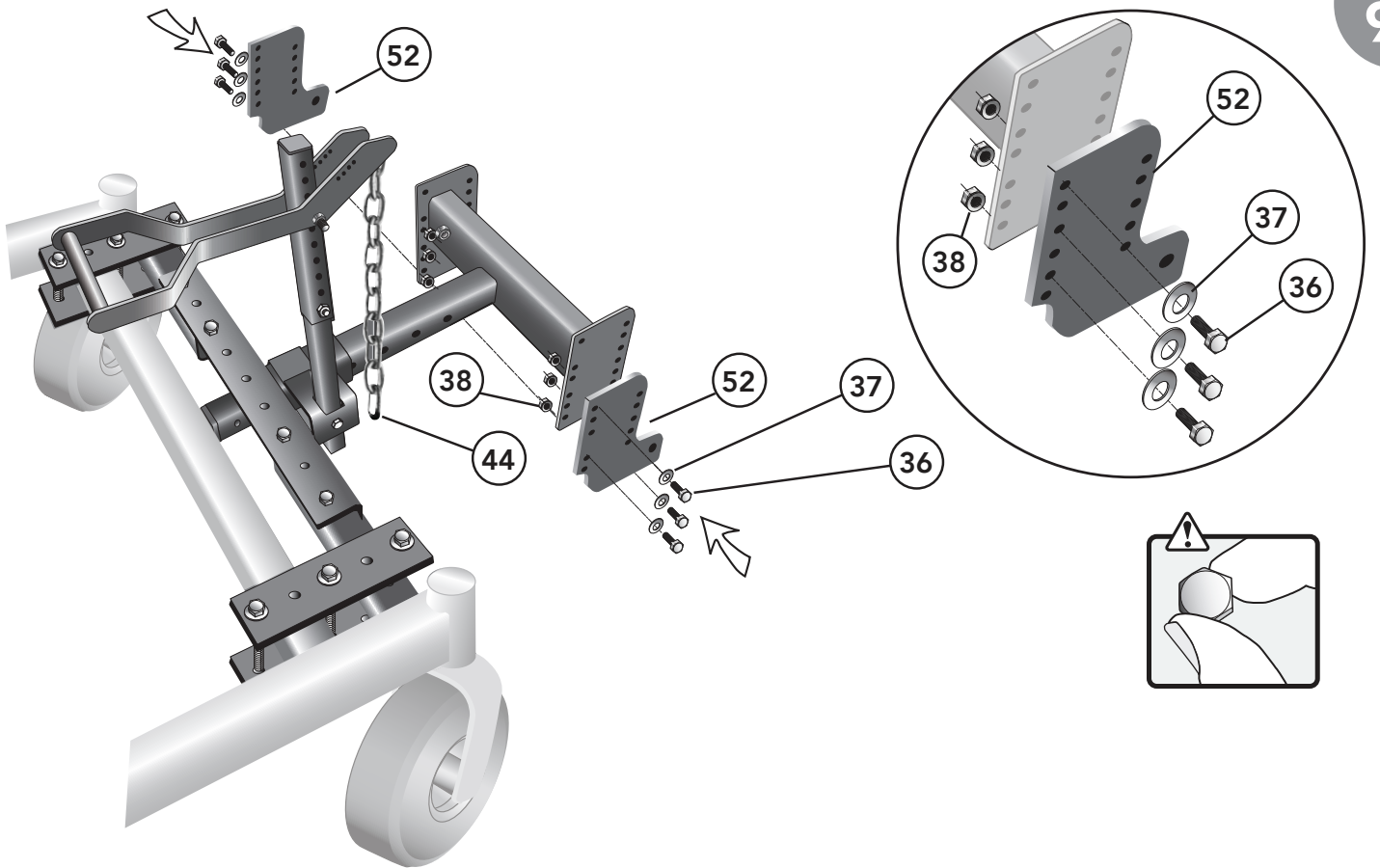
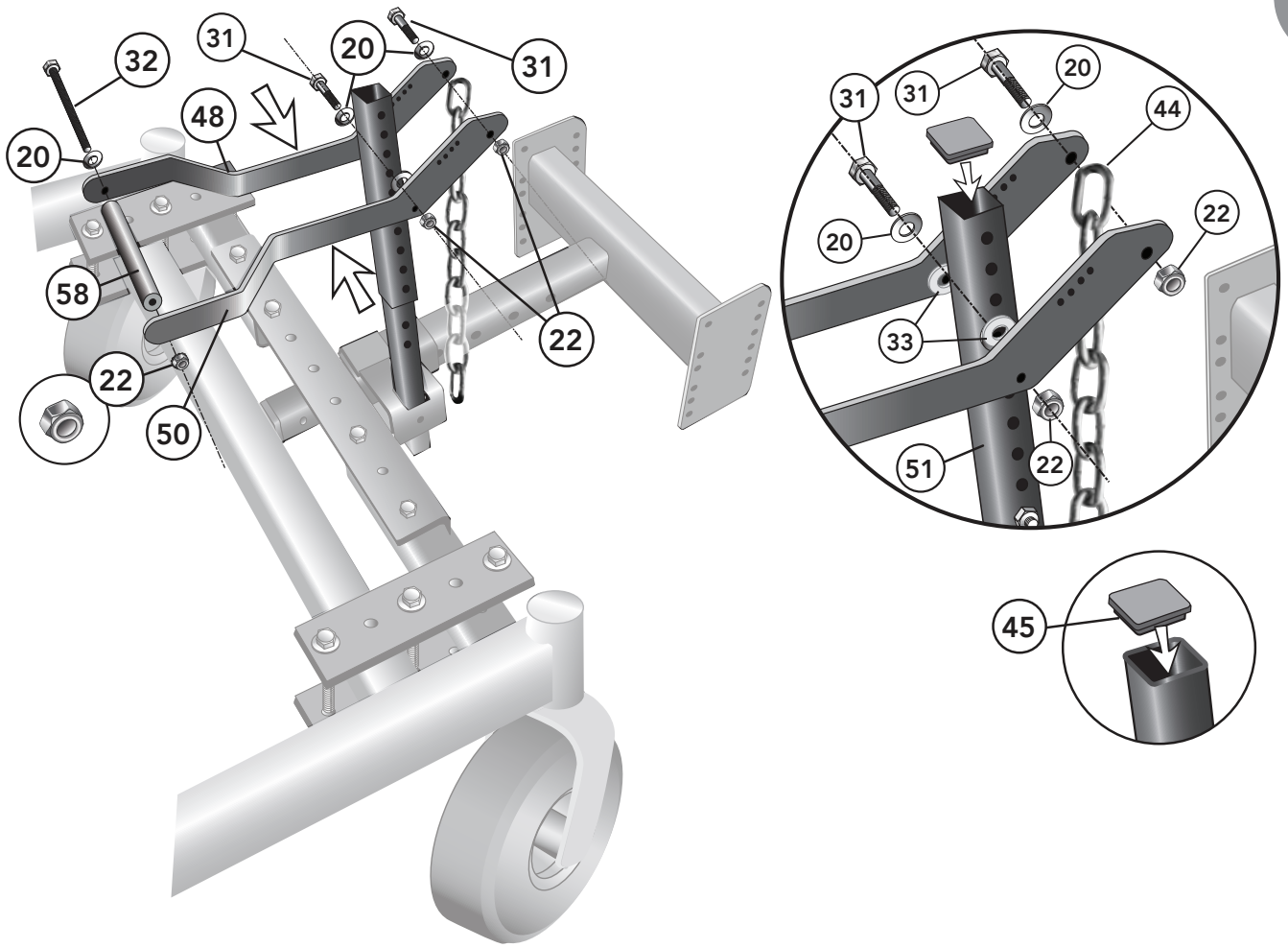


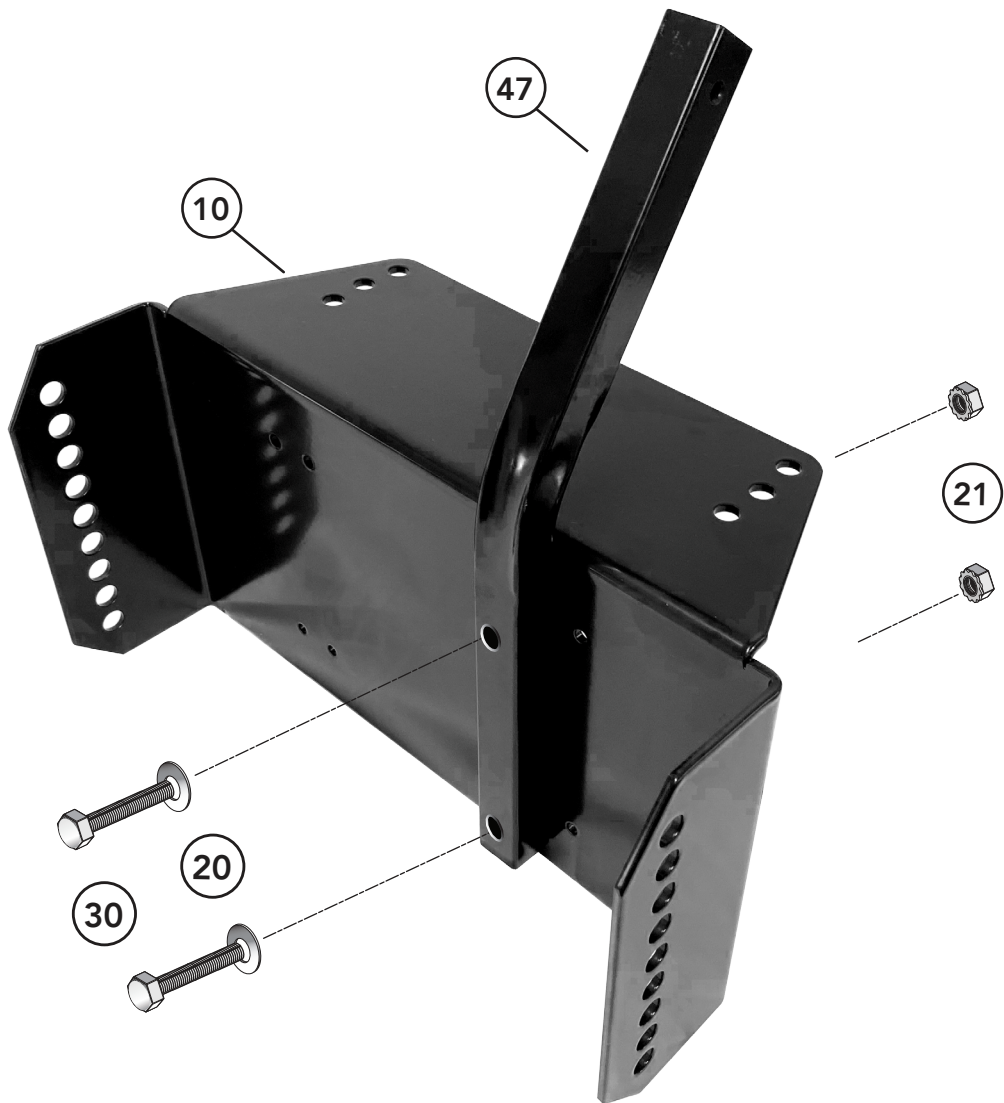
6

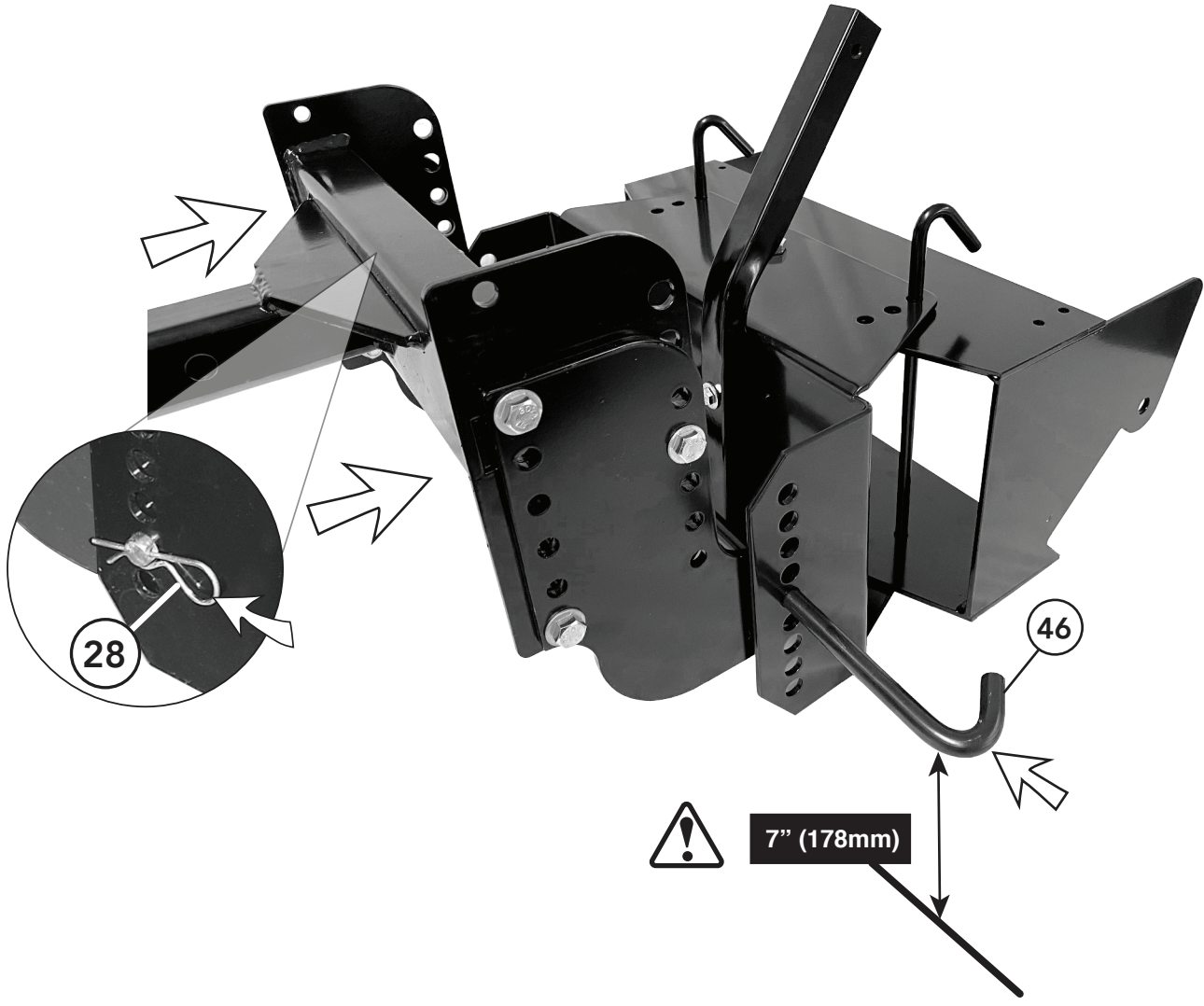
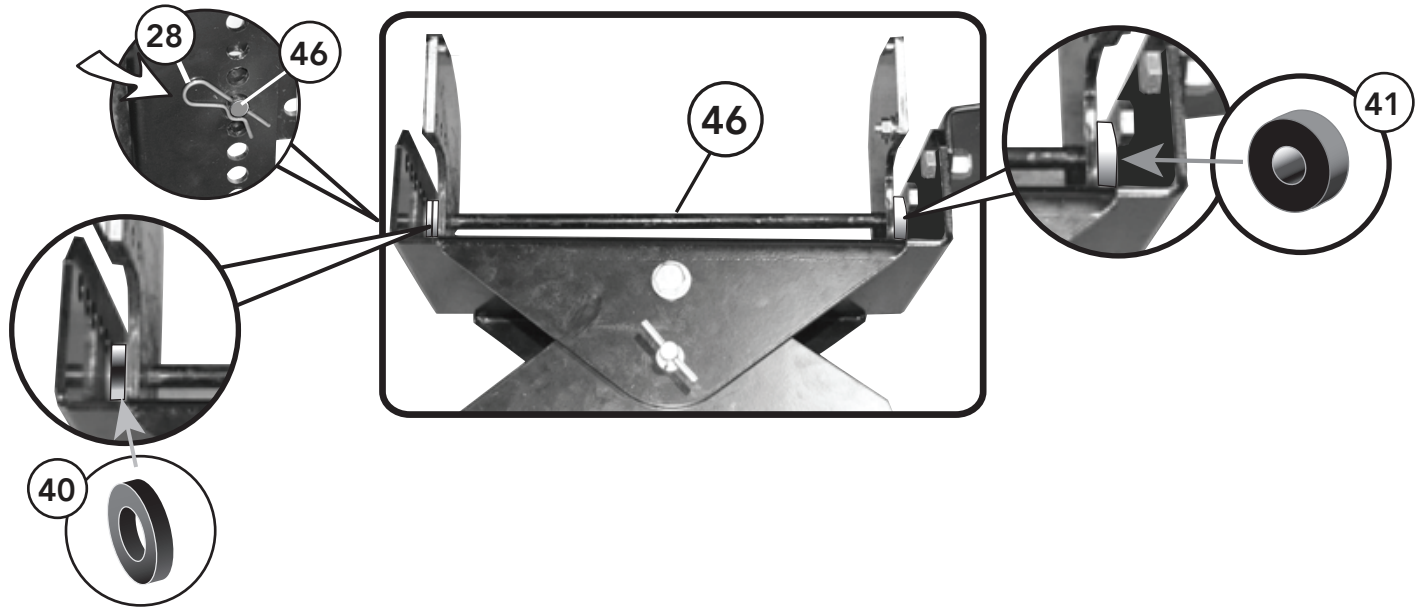


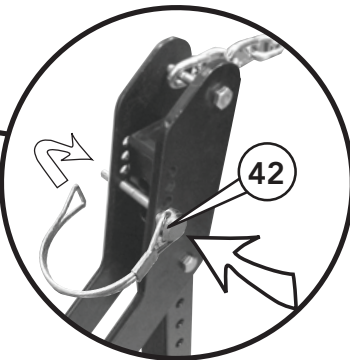
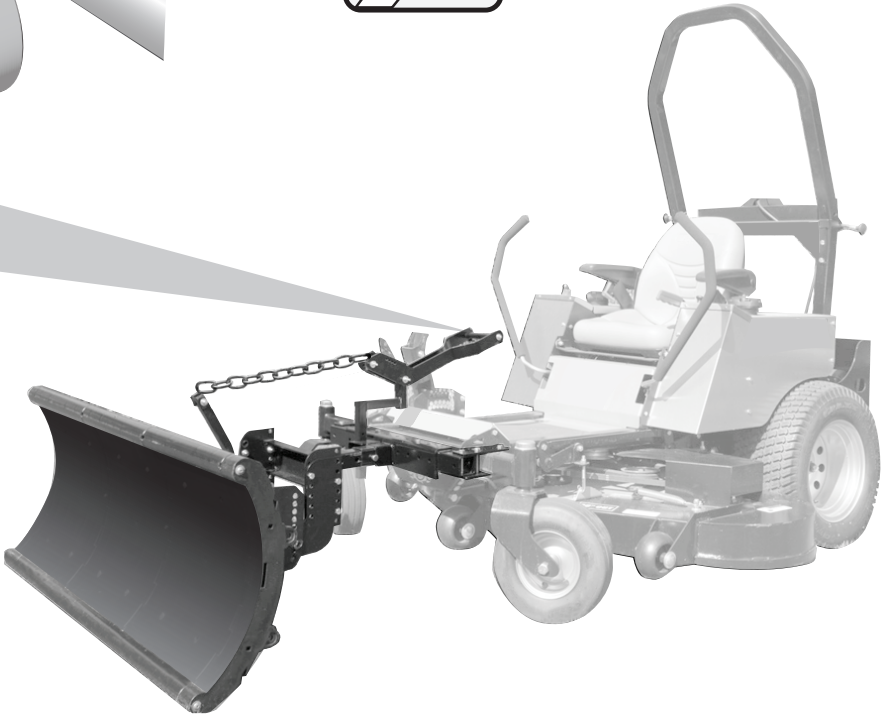
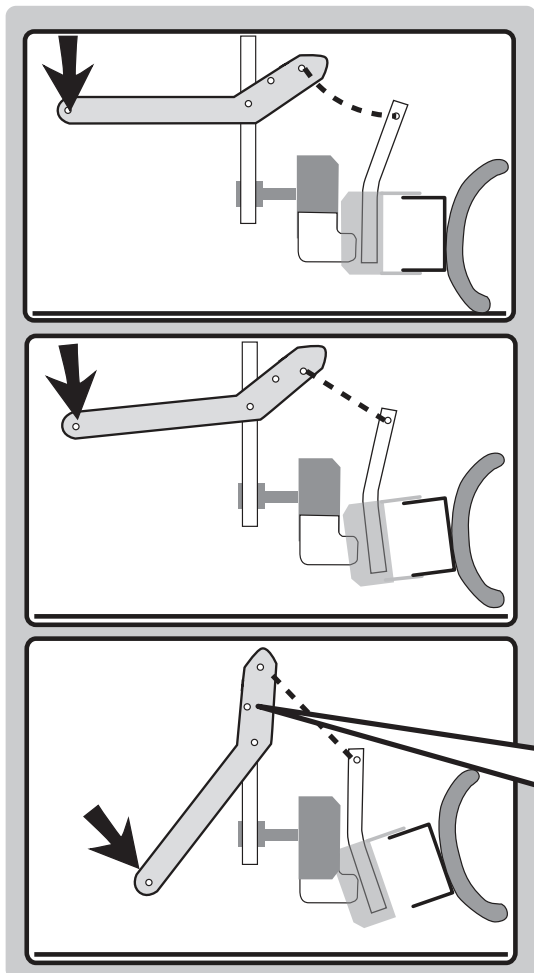
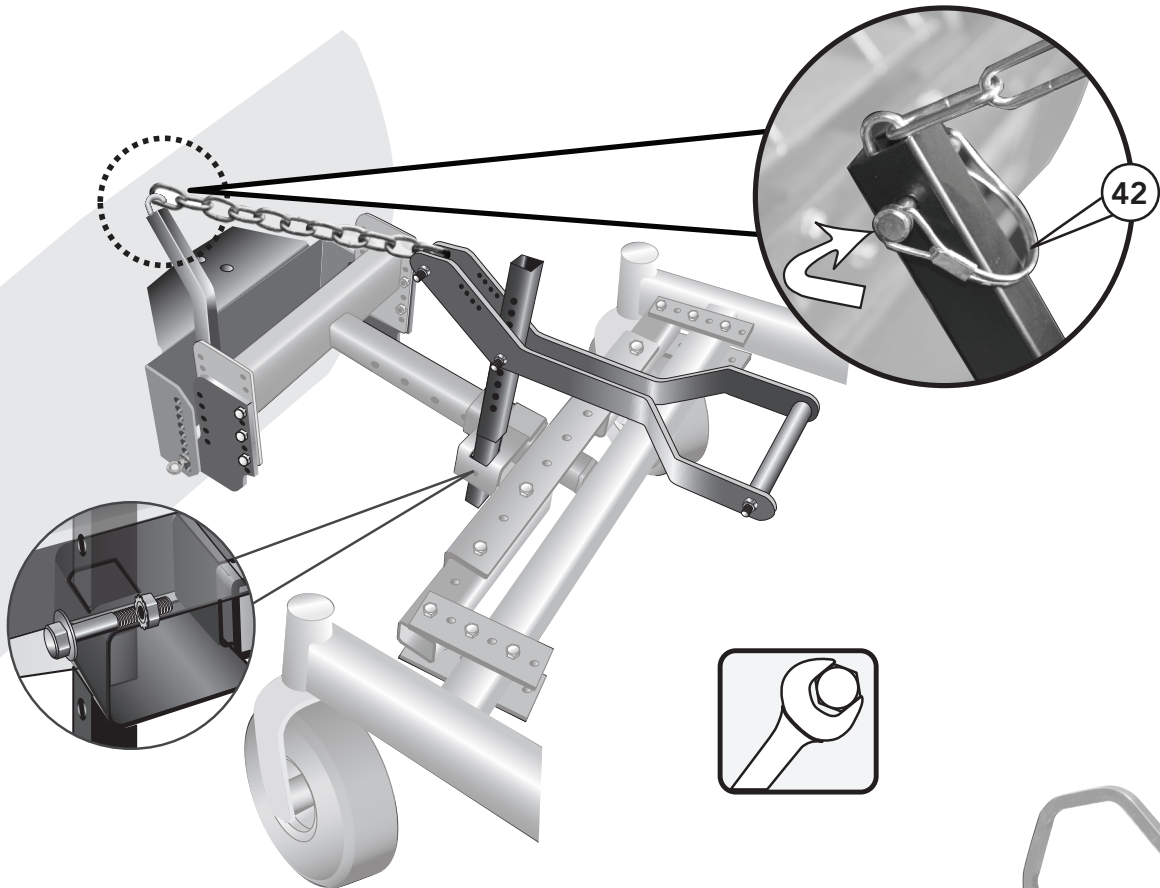
7

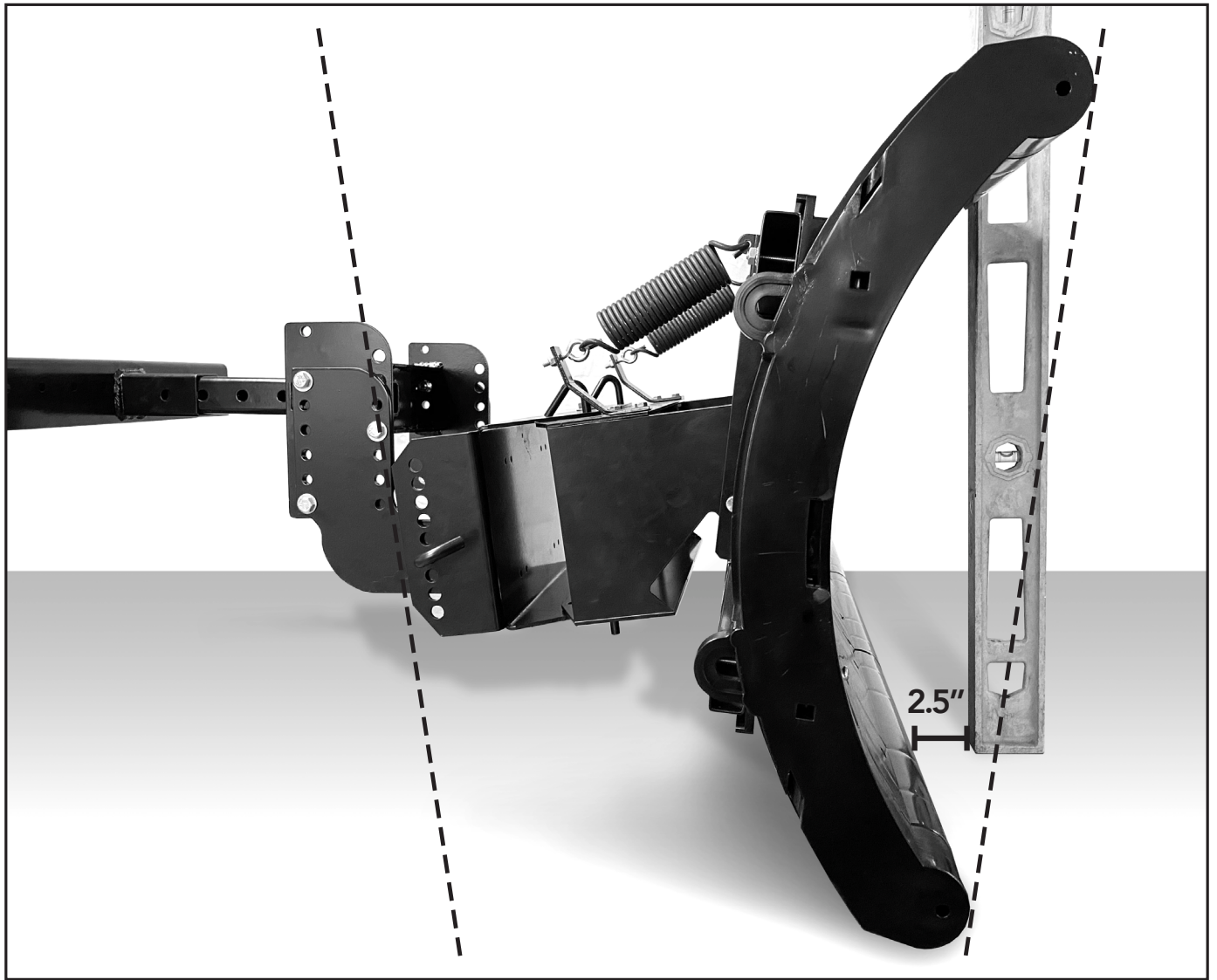




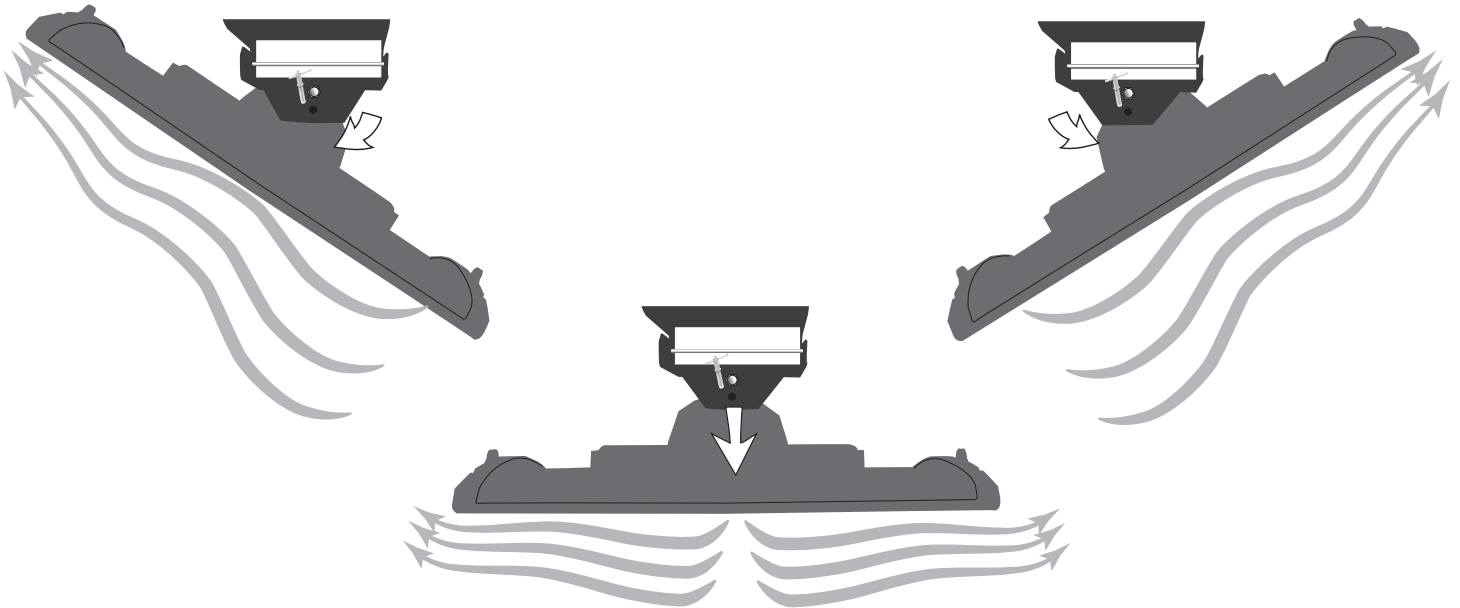
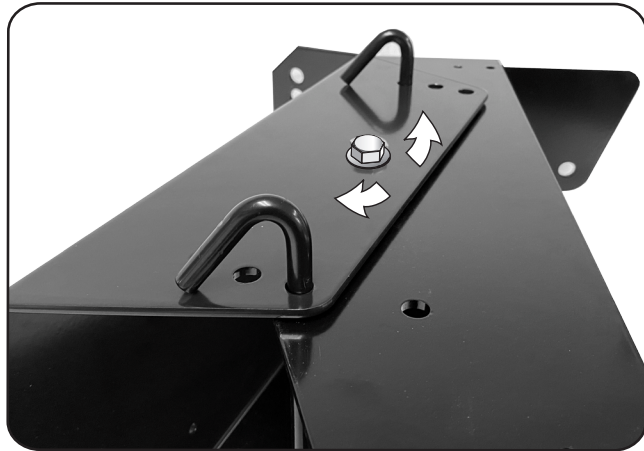








ASSEMBLY
TIPS



These instructions are for the 64" Zero-Turn Mounting Kit and are 2 of 2 packages.
The 64" Plow and its instructions are packaged and shipped separately.



1-888-662-7569 (PLOW) | 771 W. North Avenue, West Chicago, IL 60185 | www.nordicplow.com

© July 2021