



# LAWN TRACTOR MOUNTING KIT INSTRUCTIONS

DEVELOPED BY NORDIC PLOW™



ASSEMBLY  
TIPS

# INSTRUCTIONS FAQs & TIPS

## SAFETY

Read and understand the plow instructions, Warranty & FAQ and Tips before use.

Scan the QRC instructional videos on the first page or watch the videos on our website before use: [www.nordicplow.com](http://www.nordicplow.com)

Always instruct other users before they use the plow.

## OPERATION

### Risk of Injury:

- Never allow children to handle the plow.
- Never allow anyone to walk beside or sit on the plow when in use.
- <sup>a</sup> **Never operate the plow over 2 to 3 mph. Keep a slow steady speed.**
- If you hit an obstruction, immediately stop the vehicle and reverse direction.

**STEP 1 & 2:** The side universal mounting plate (part #77) has 4 sides with various combinations of holes to line up with those already on the mower. In the rare case where the holes do not match, it is okay to drill holes in the mount plate to fit your frame.

**NOTE:** Holes must be identical on both sides.

**STEPS 3:** There are many ways to attach the boot plate (part #76) to the mount plates (part #77). The closer the boot plates are to the machine the better.

**STEP 5: Installation of the handle mount bracket (part #75).**

**Note:**The handle mount bracket is angled and can be attached with the angle facing the plow blade or your machine. It can also be attached to the left or right side of the Spring Pivot Bracket (part #10) per the user's preference.

**A.** Install the axle (part #46) through any set of holes in the spring pivot bracket to use as a guide when attaching the handle mount bracket.

**B.** Attach the handle mount bracket making sure none of the holes interfere with the axle.

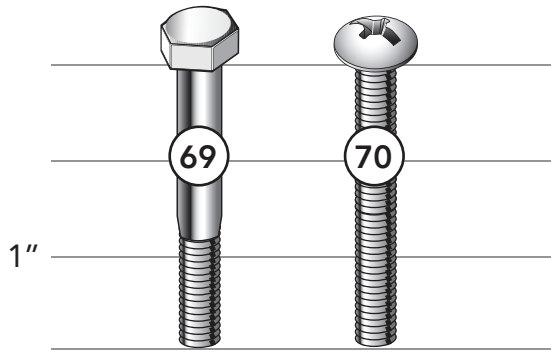
**STEP 6:** Be sure to include the thick spacers (part #41) onto the axle and in between the boot plate (part #76) and the Spring Pivot Bracket (part #10).

1-888-662-7569 (PLOW)

771 W. North Avenue West Chicago, IL 60185

[www.nordicplow.com](http://www.nordicplow.com)

1/4"

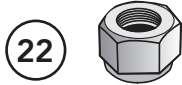


H-11201  
X 1

P-31103  
X 2

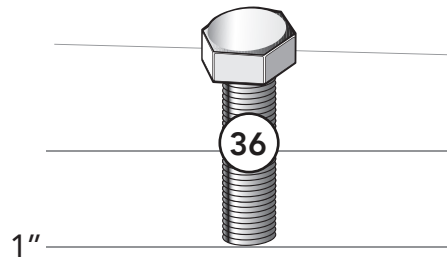
1"

2"



47189  
x3

3/8"



43001  
X 10

1"

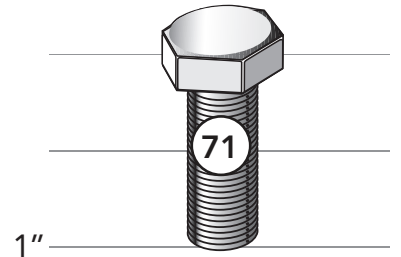


43070  
x10



44072  
x10

1/2"



H-46521  
X 2

1"



712-3083  
x2

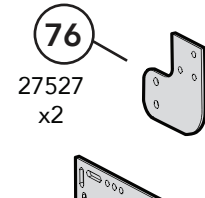


712-3083  
x2

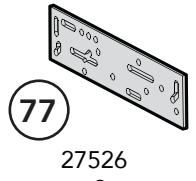


43343  
x1

46  
720116  
x1



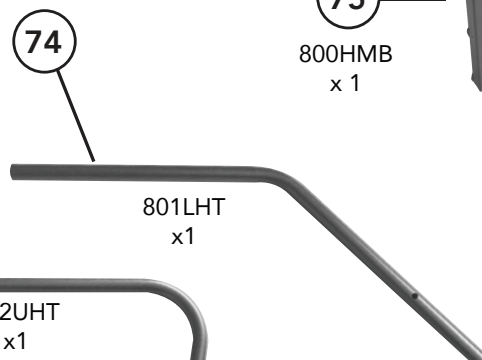
27527  
x2



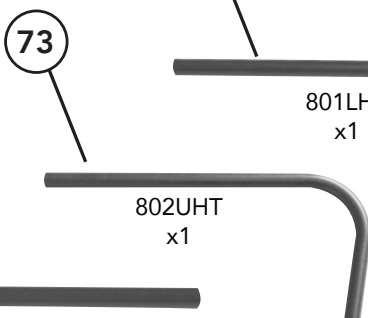
77  
27526  
x2



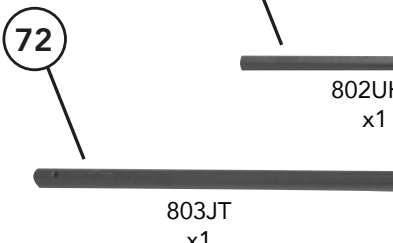
75  
800HMB  
x 1



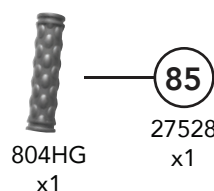
74  
801LHT  
x1



73  
802UHT  
x1

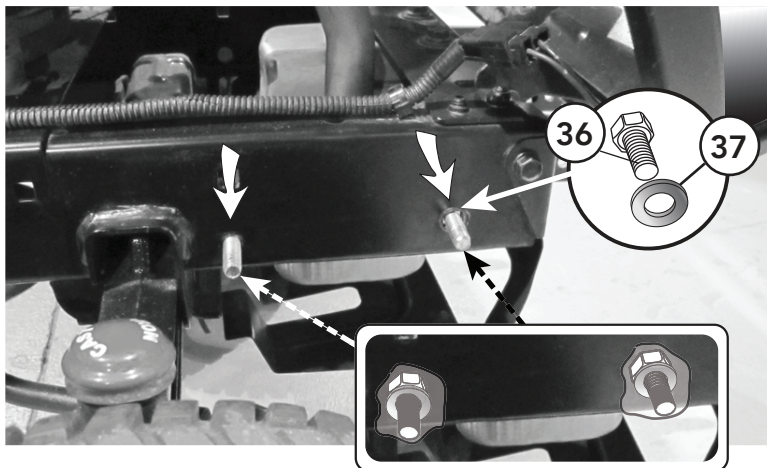


72  
803JT  
x1

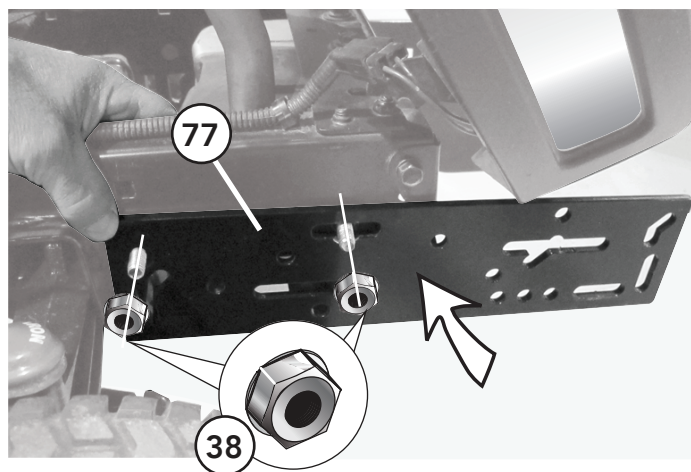


85  
27528  
x1  
804HG  
x1

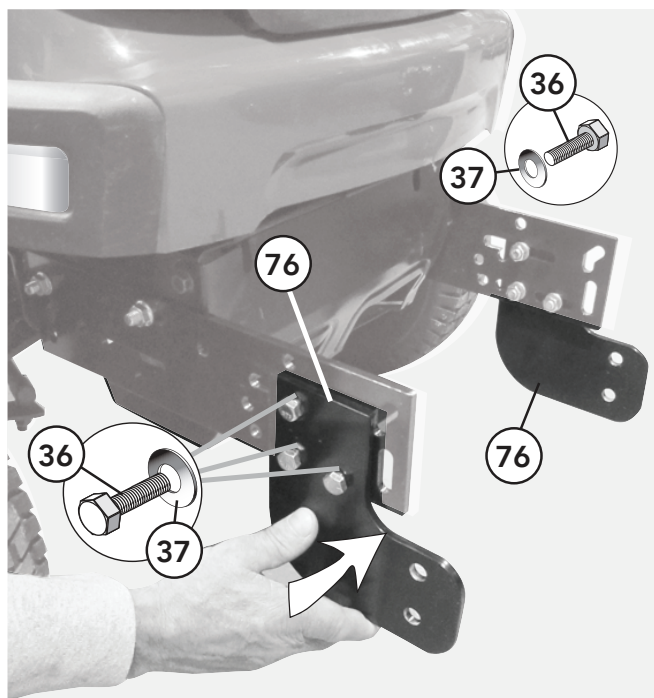
1



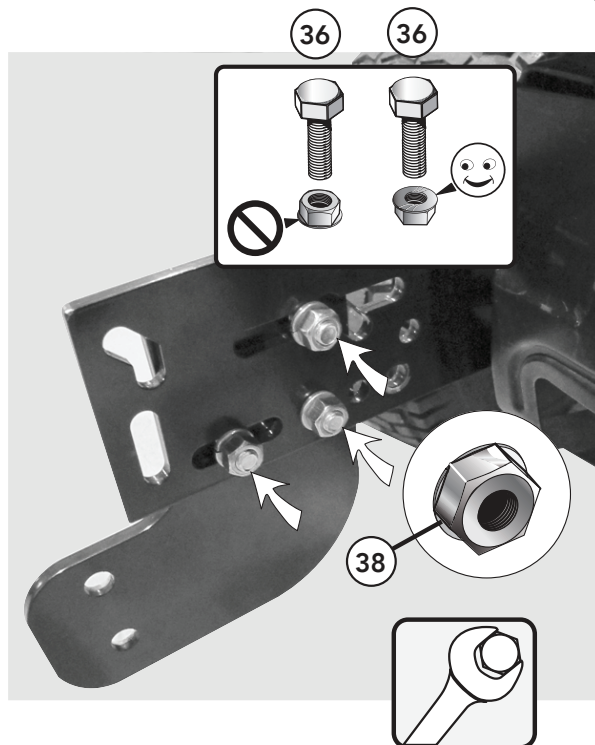
2



3

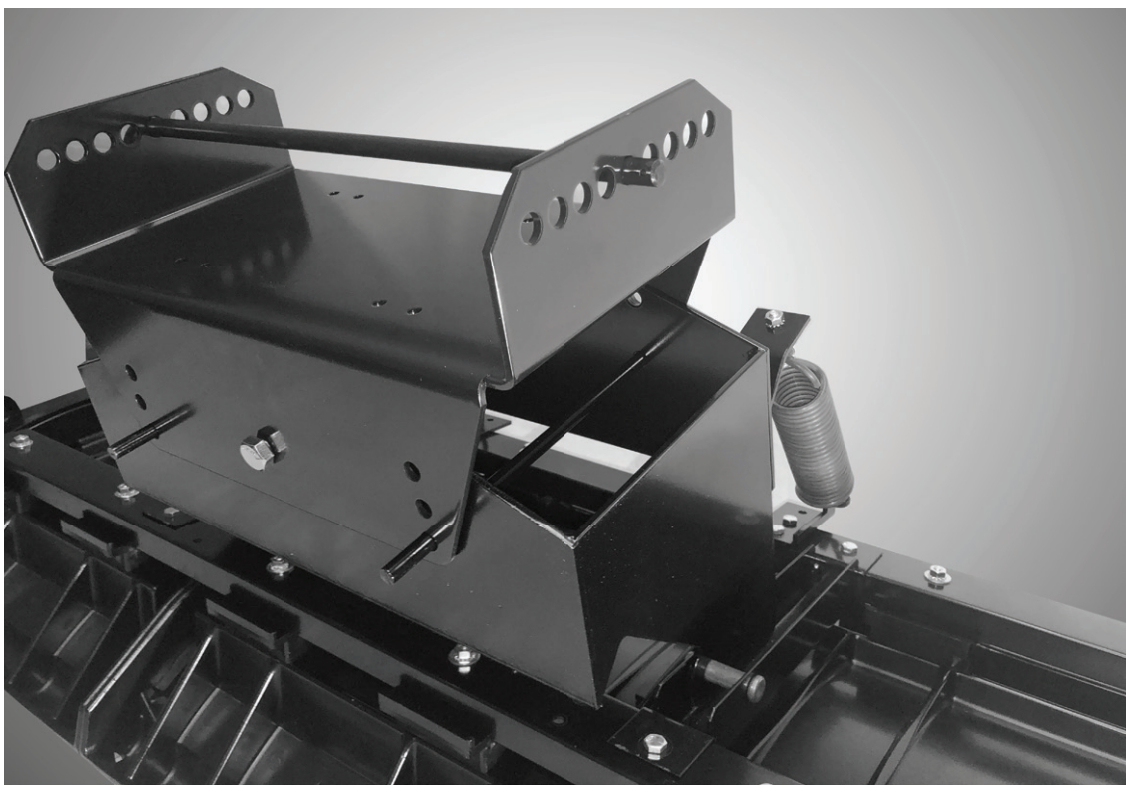


4

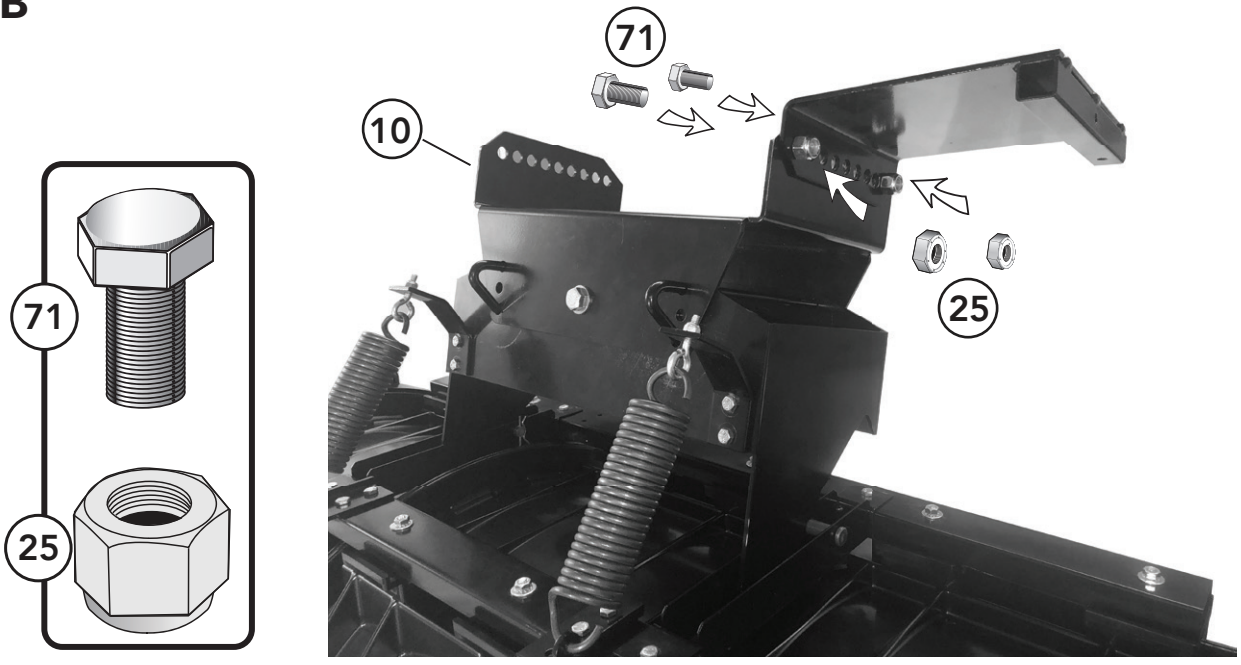


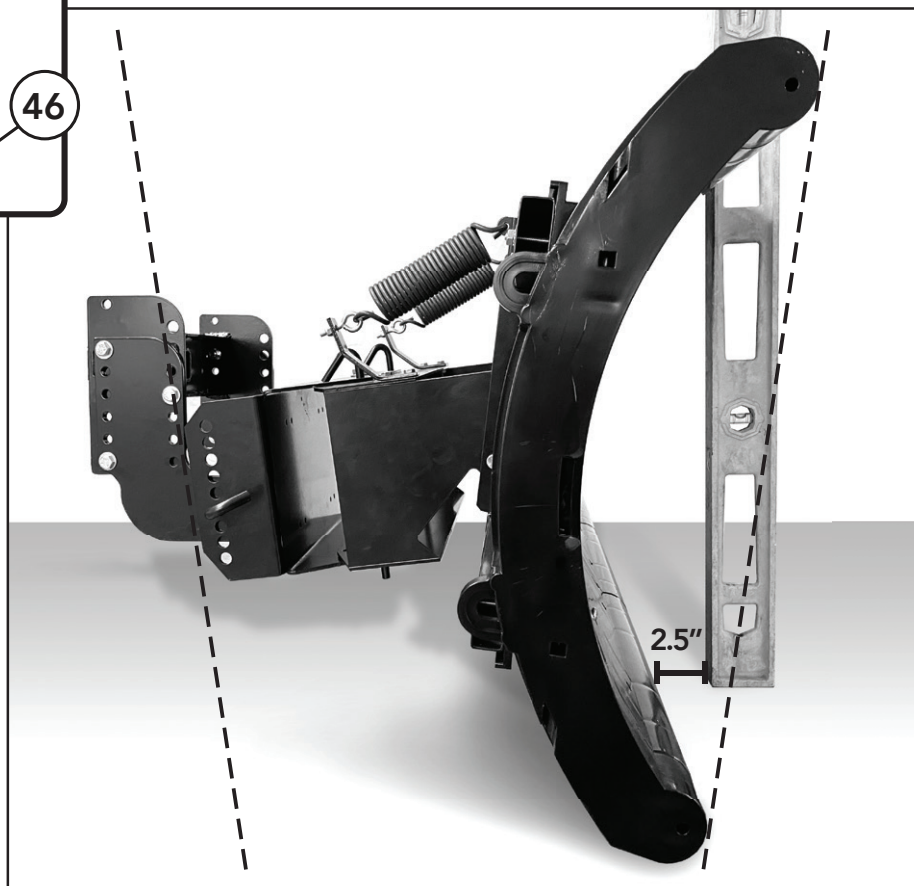
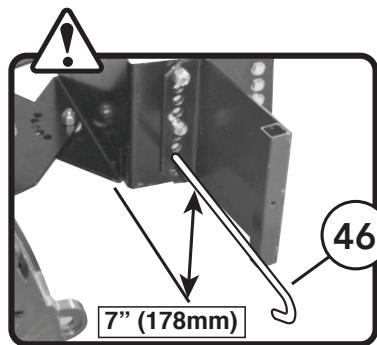
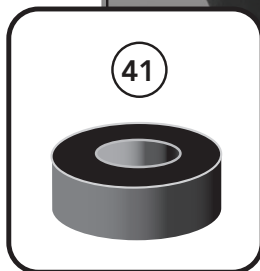
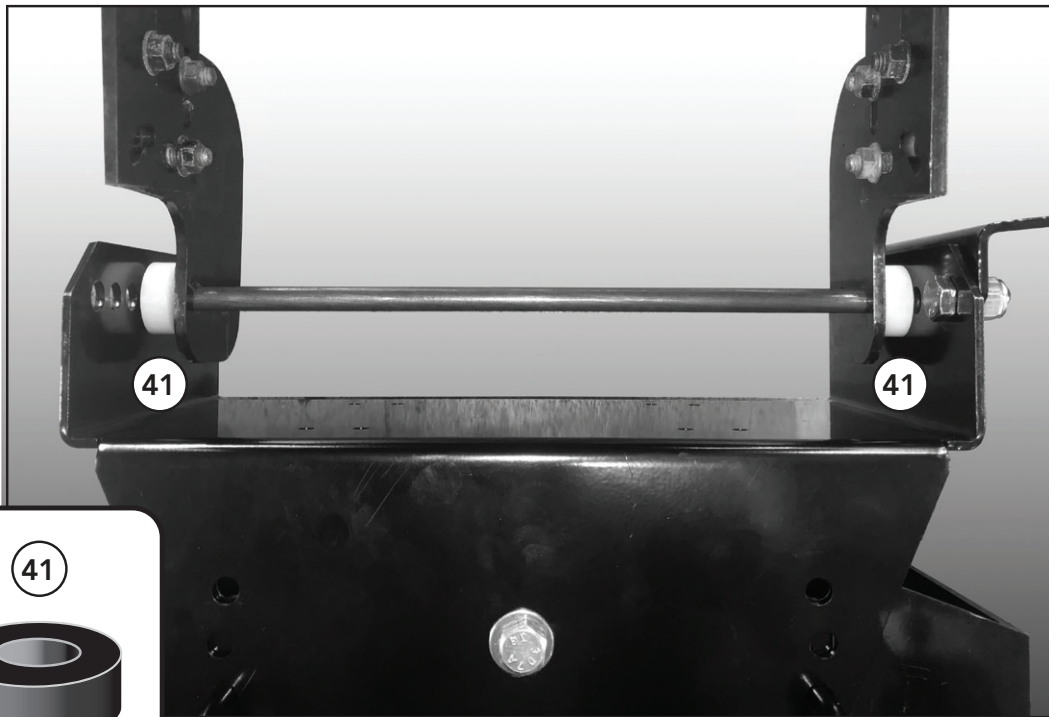


A

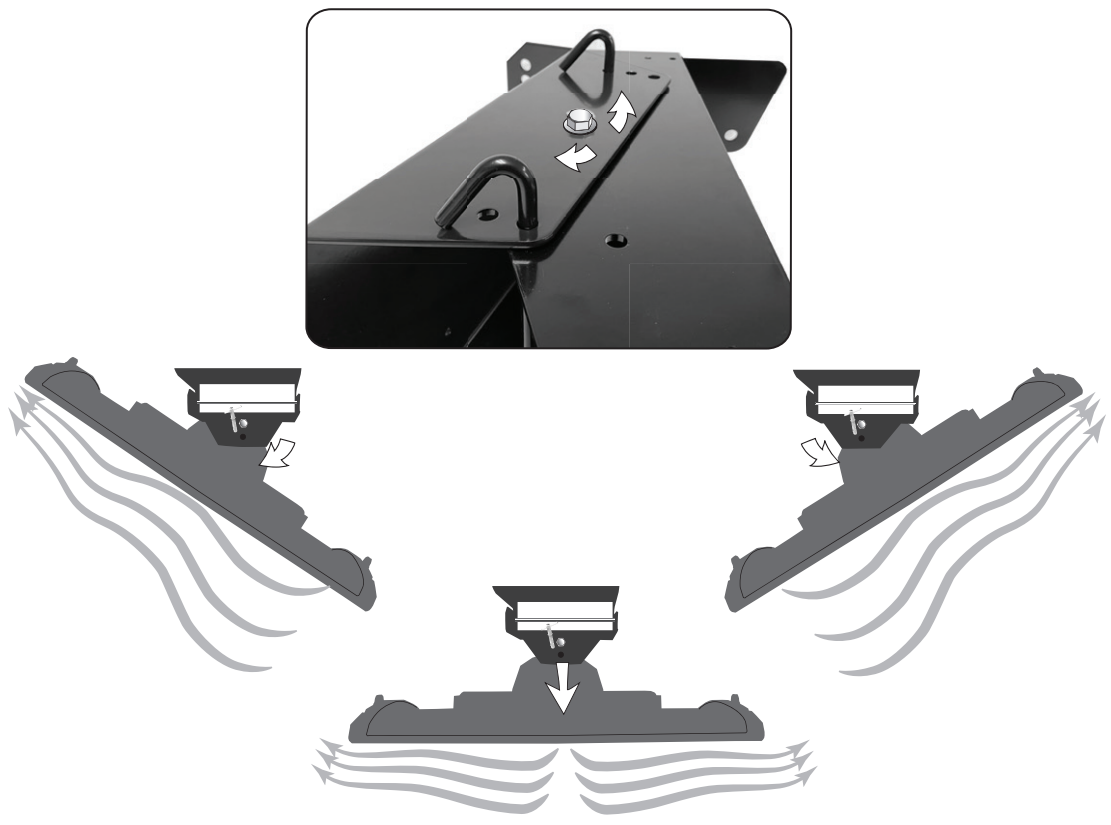
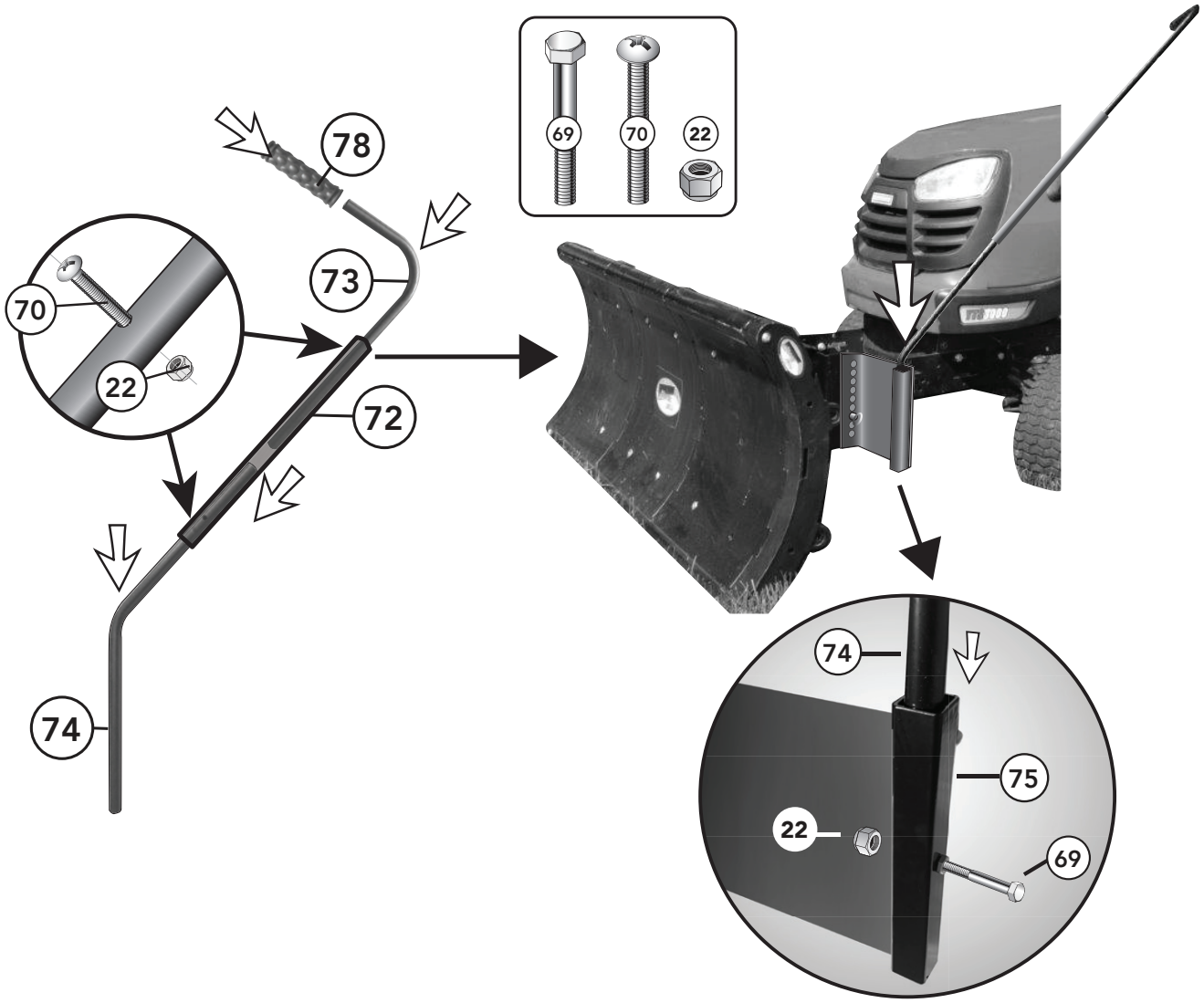


B





ASSEMBLY  
TIPS



These instructions are for the Lawn Tractor Mounting Kit and are 2 of 2 packages.  
The Plow and its instructions are packaged and shipped separately.



1-888-662-7569 (PLOW) | 771 W. North Avenue, West Chicago, IL 60185 | [www.nordicplow.com](http://www.nordicplow.com)

© September 2021