



MOUNTING KIT INSTRUCTIONS CLUB CAR AND CLUB CAR PRESIDENT

DEVELOPED BY NORDIC PLOW™



INSTRUCTIONS FAQs & TIPS

SAFETY

Read and understand the plow instructions, Warranty & FAQ and Tips before use.

Scan the QRC instructional videos on the first page or watch the videos on our website before use: www.nordicplow.com

Always instruct other users before they use the plow.

OPERATION

Risk of Injury:

- Never allow children to handle the plow.
- Never allow anyone to walk beside or sit on the plow when in use.
- ^a **Never operate the plow over 2 to 3 mph. Keep a slow steady speed.**
- If you hit an obstruction, immediately stop the vehicle and reverse direction.

Here are some clarification and tips to help get your Nordic Plow installed correctly.

STEP 1 - 9: There are a couple of different frame designs used by Club Car. Pick the frame that best matches your machine. Bottom line is to firmly attach the receiver (part #56) securely to the golf cart.

STEP 10: Boot plate (part #52) is not used on all models. It depends on the height of your machine. The axle (part #46) needs to be 7" to 8" above the ground as shown in step 12. If that can be achieved without using the boot plate, go ahead and leave them off.

STEP 11: Handle mount bracket (part #79) installation. The handle mount bracket is angled and can be attached with the angle facing the plow blade or the machine. It can also be mounted on the left or right side per the user's preference.

A. Install the axle (part #46) through any of the holes to use as a guide.

B. Attach handle mount bracket making sure none of the holes interfere with the axle

C. Attach handle extension bracket (part #78) to the handle mount bracket. There are 2 sets of holes in the handle mount bracket to choose from.

STEP 12: Top picture shows proper position of spacers (part # 40 and #41) when used with boot plates shown in step 10.. If no boot plates are used, substitute spacers #40 with Spacer # 41 to minimize side to side movement of the Spring Pivot Bracket (part #10).

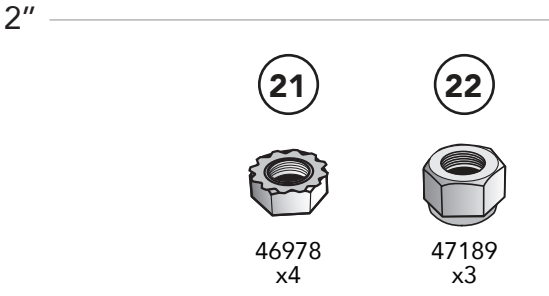
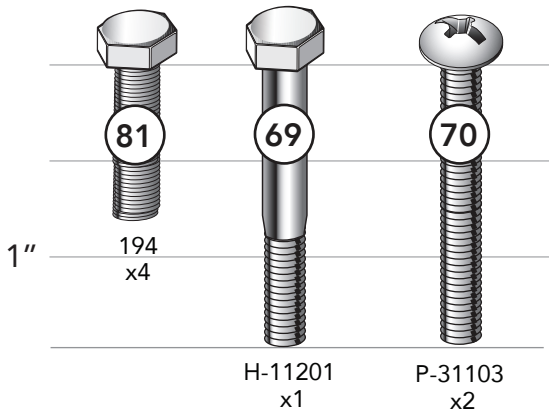
STEP 13: Watch the QR video to best understand how to achieve the optimal blade angle.

1-888-662-7569 (PLOW)

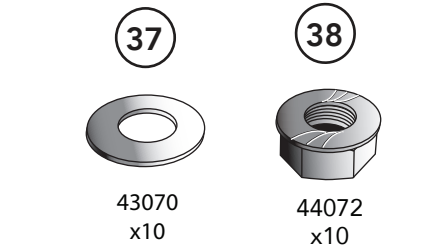
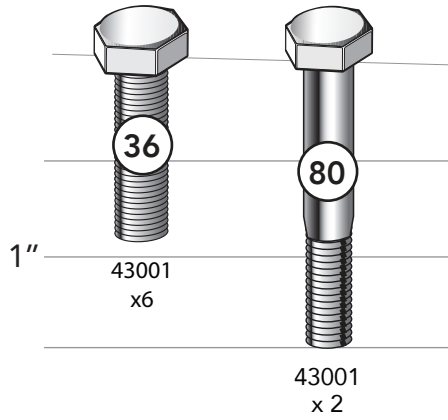
771 W. North Avenue West Chicago, IL 60185

www.nordicplow.com

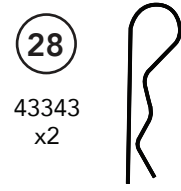
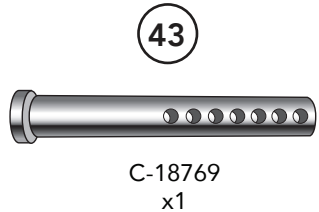
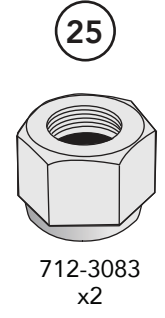
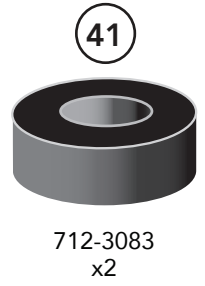
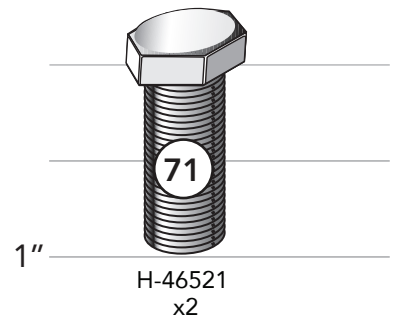
1/4"

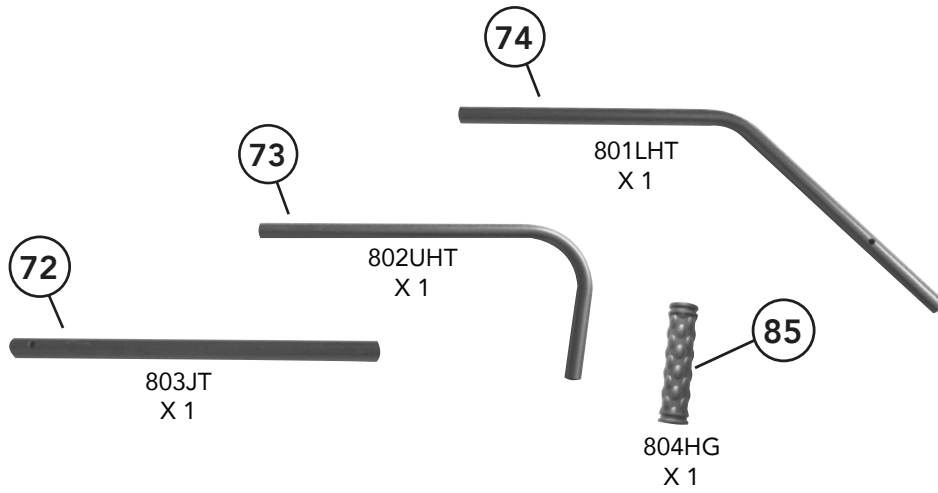
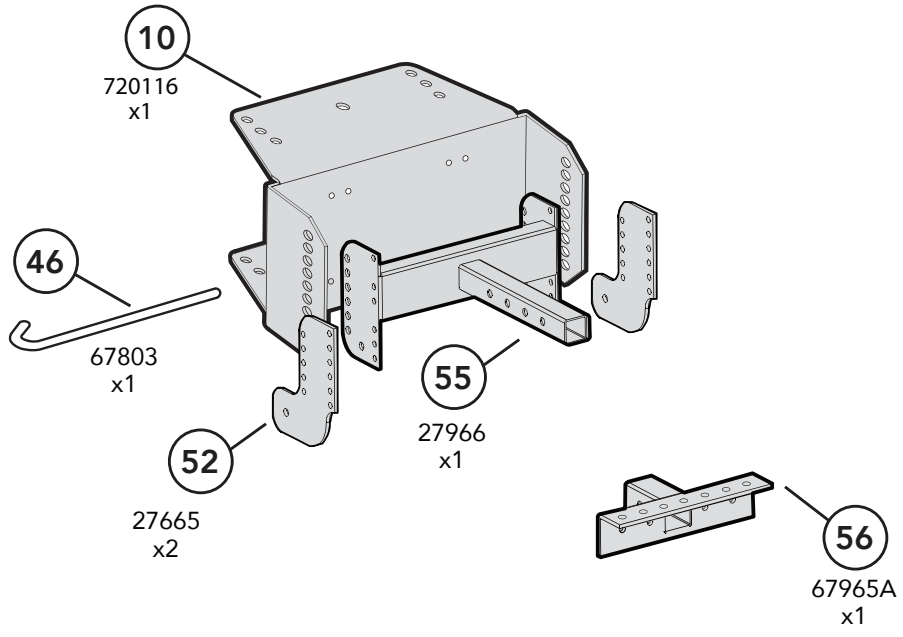


3/8"



1/2"

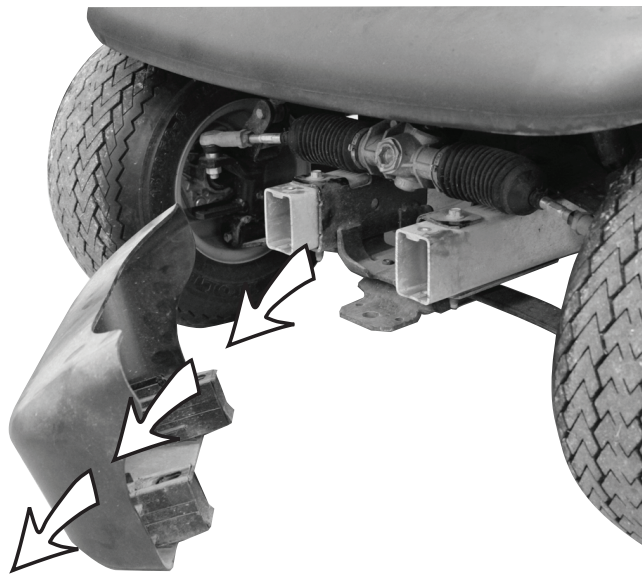
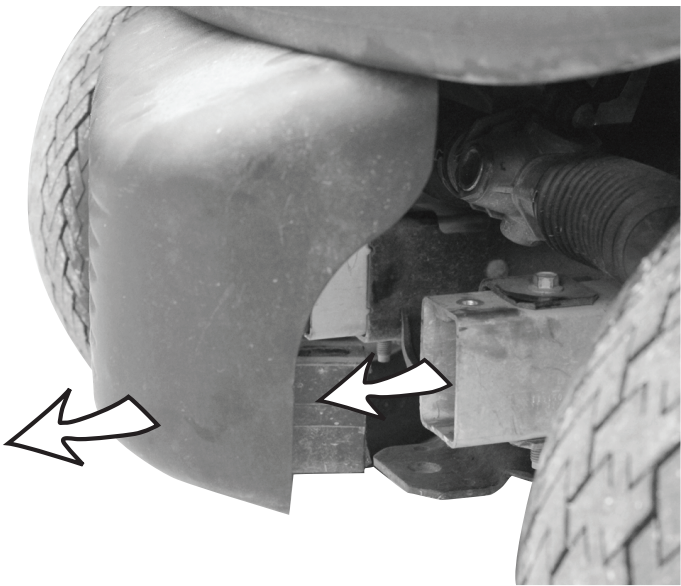




CLUB CAR

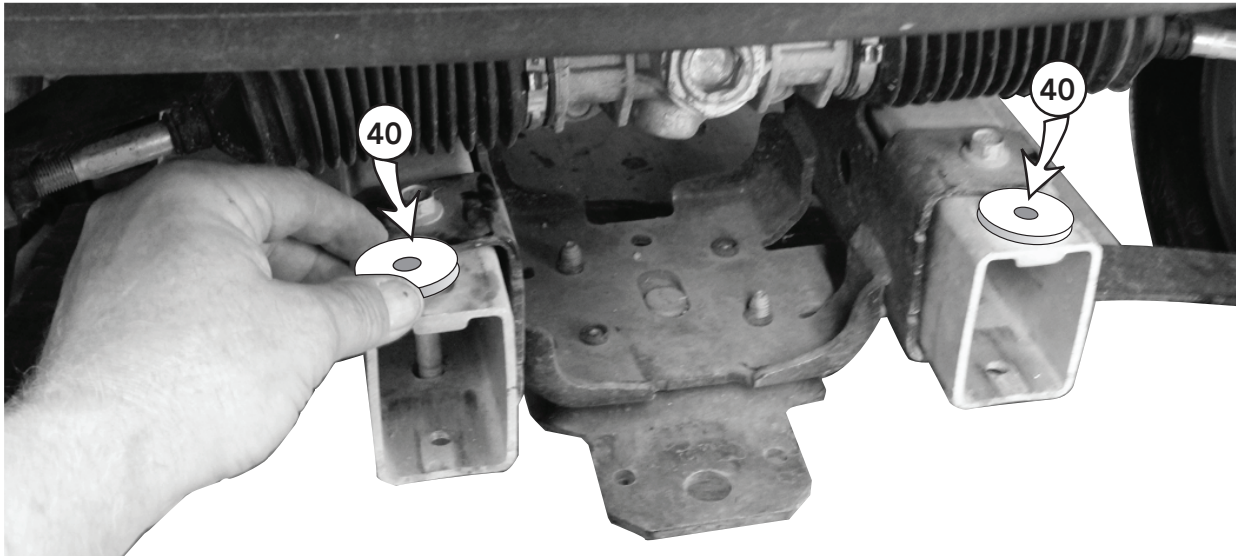


CLUB CAR PRESIDENT



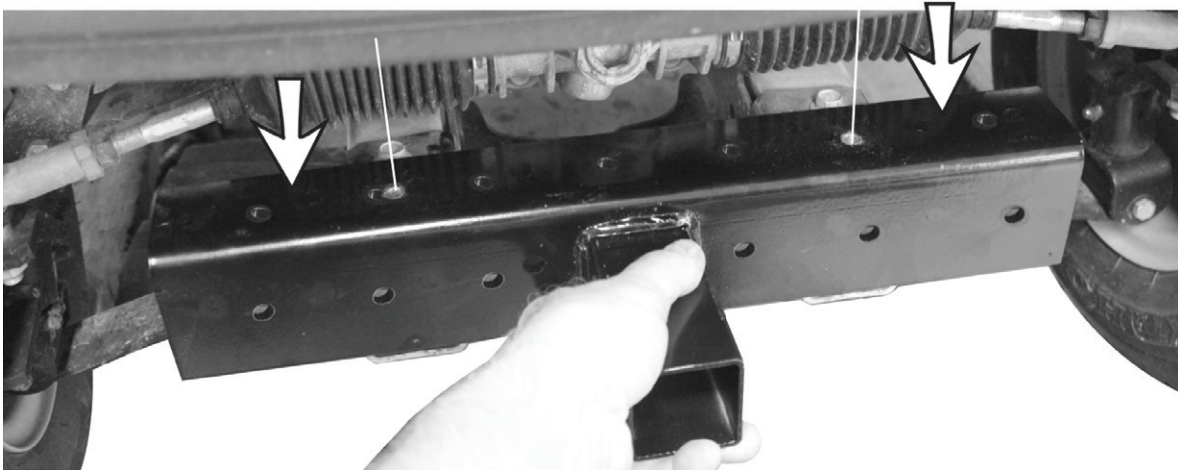
CLUB CAR PRESIDENT

4



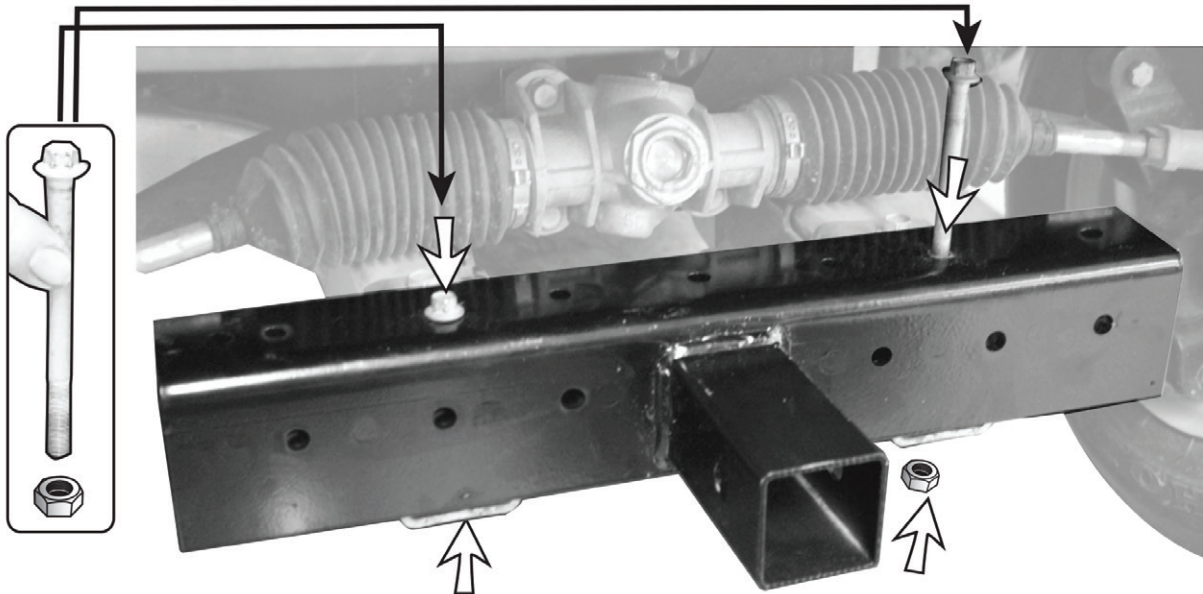
CLUB CAR PRESIDENT

5



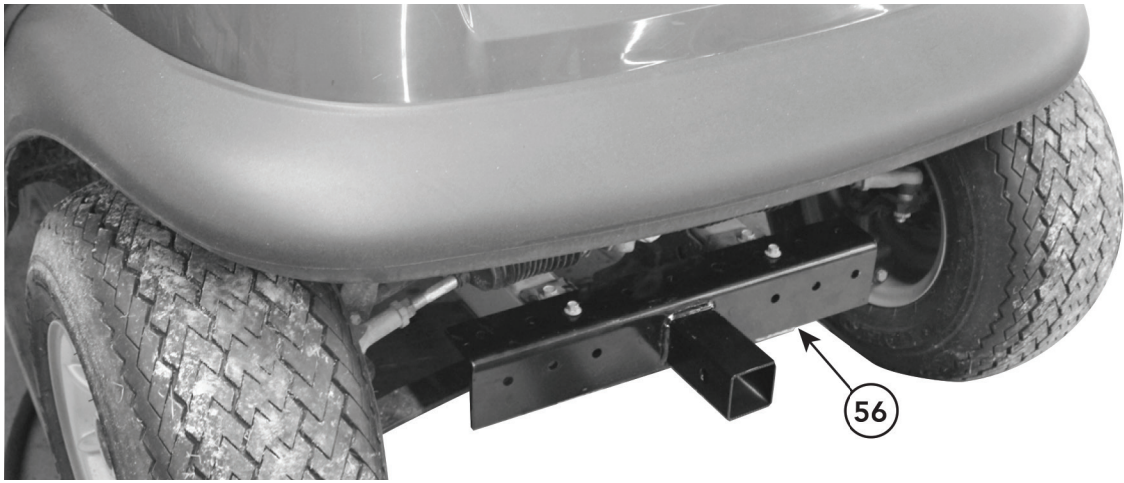
CLUB CAR PRESIDENT

6



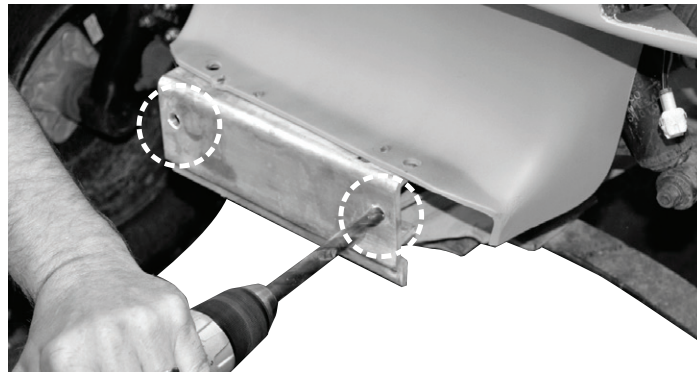
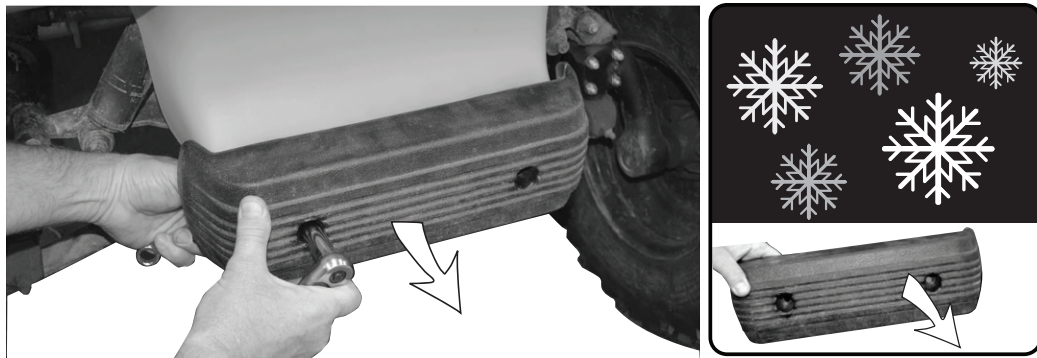
CLUB CAR PRESIDENT

7



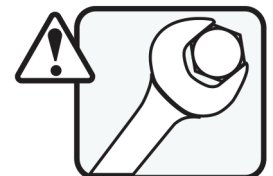
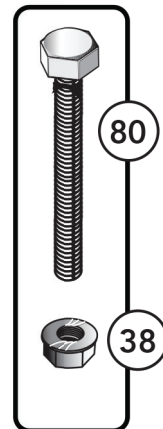
STANDARD CLUB CAR

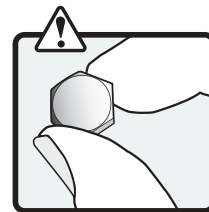
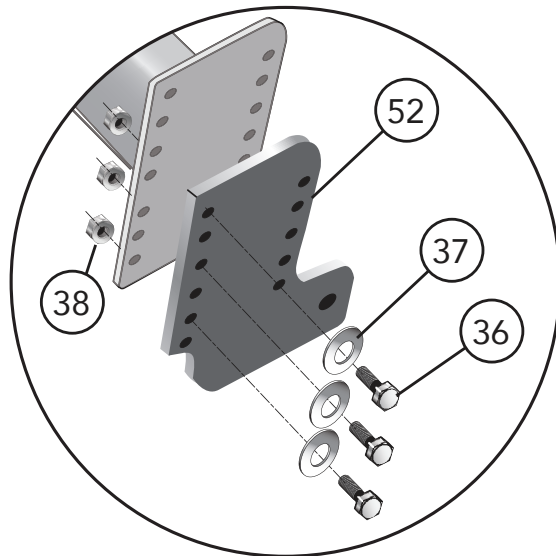
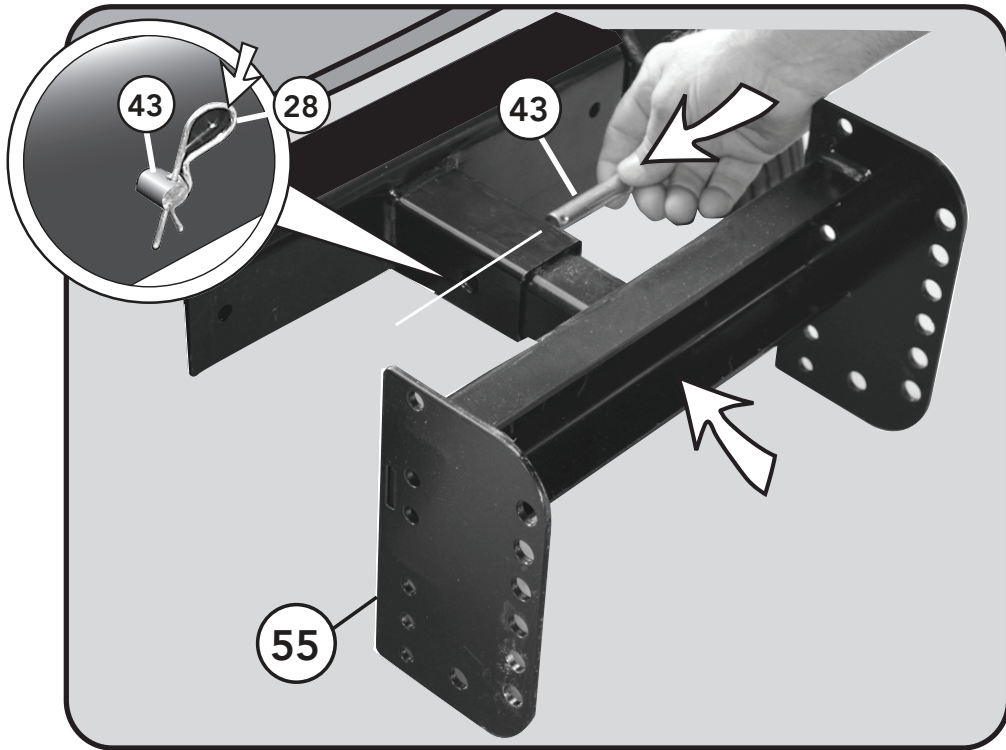
8



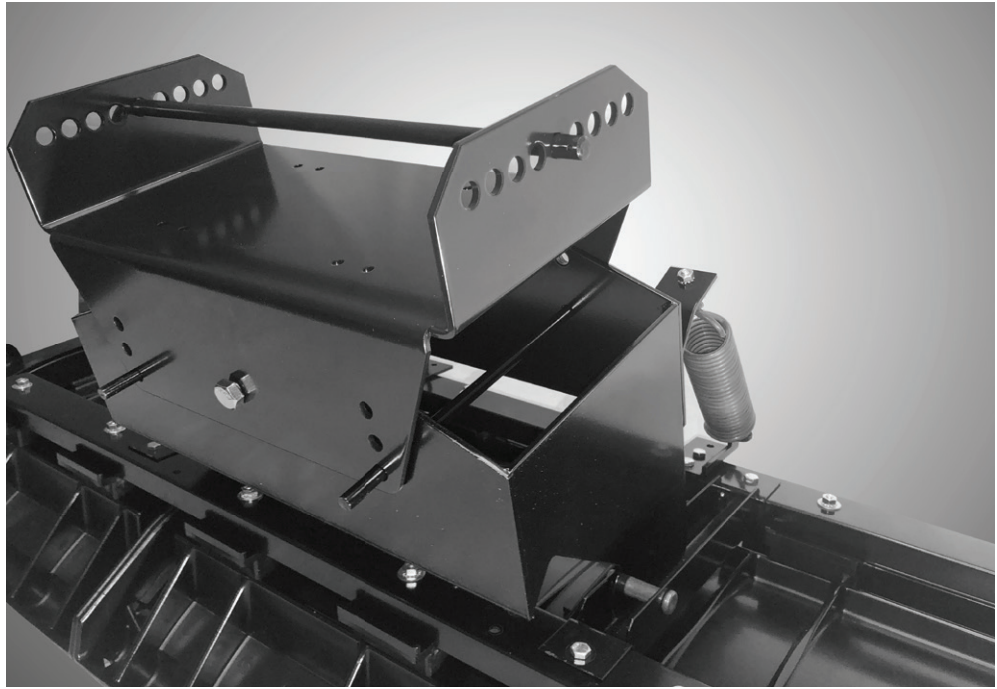
STANDARD CLUB CAR

9

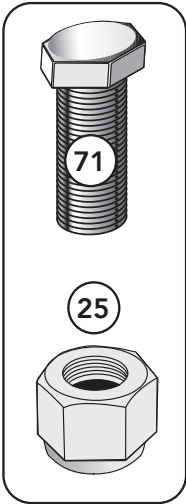
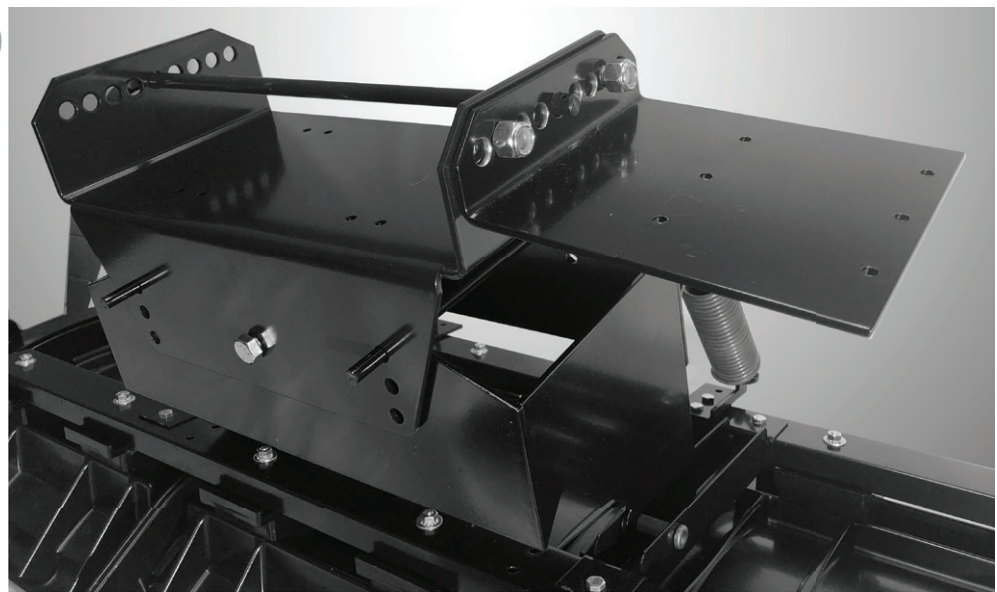




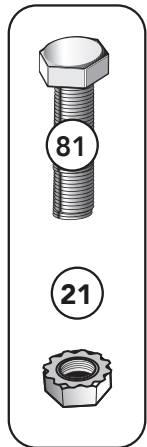
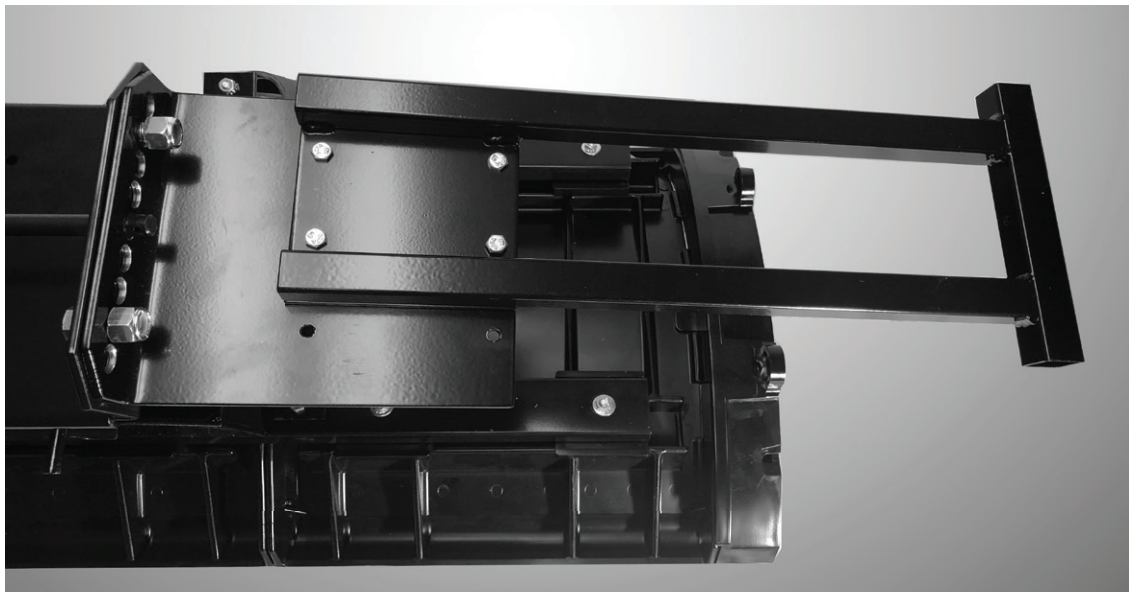
A

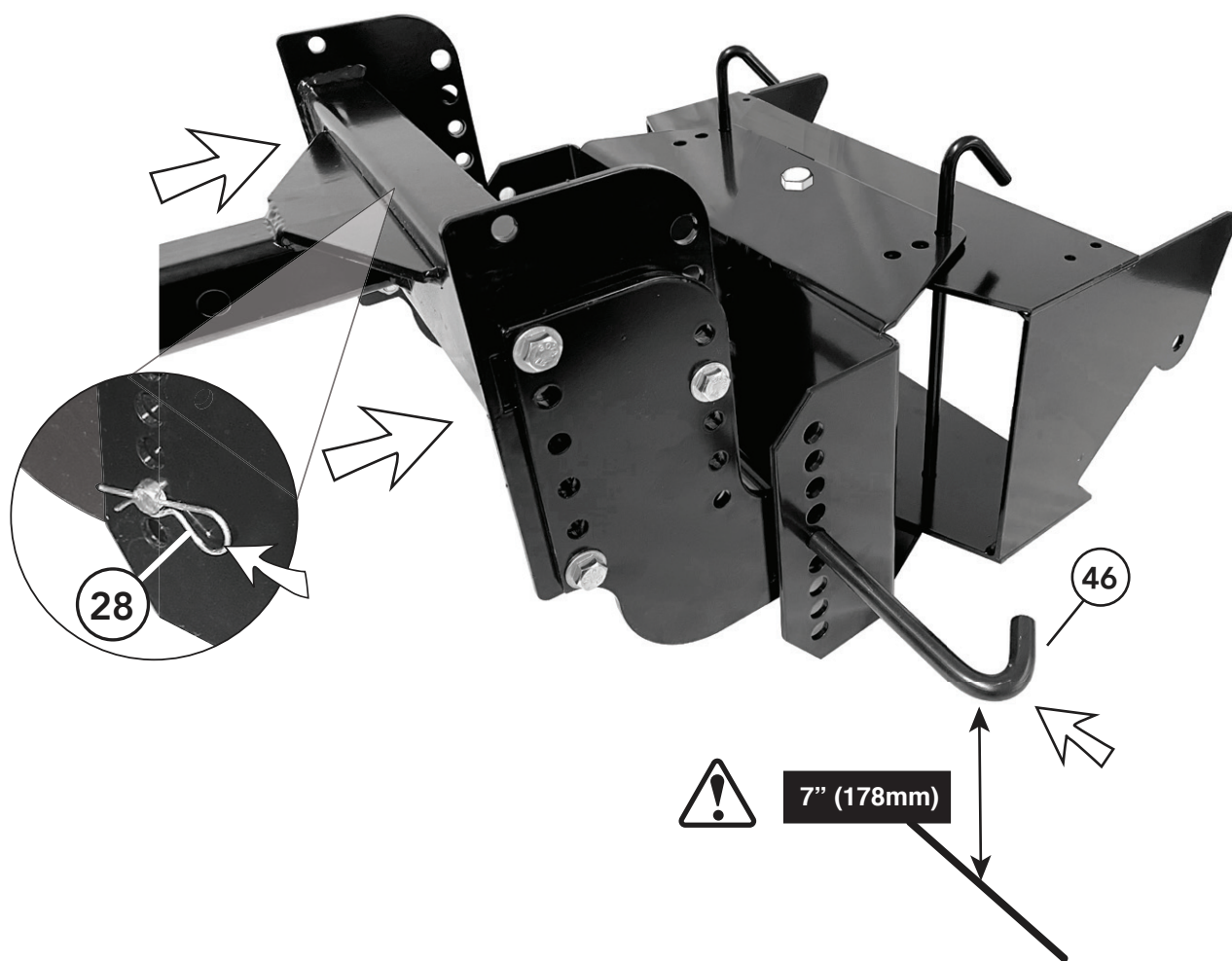
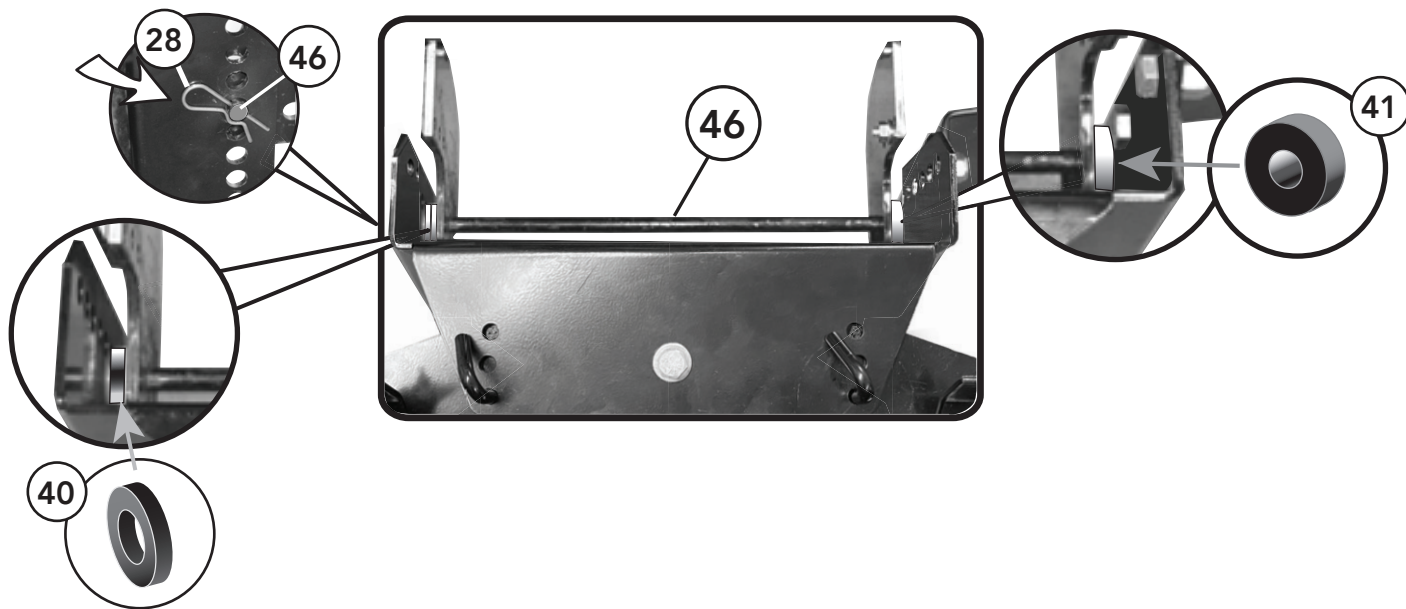


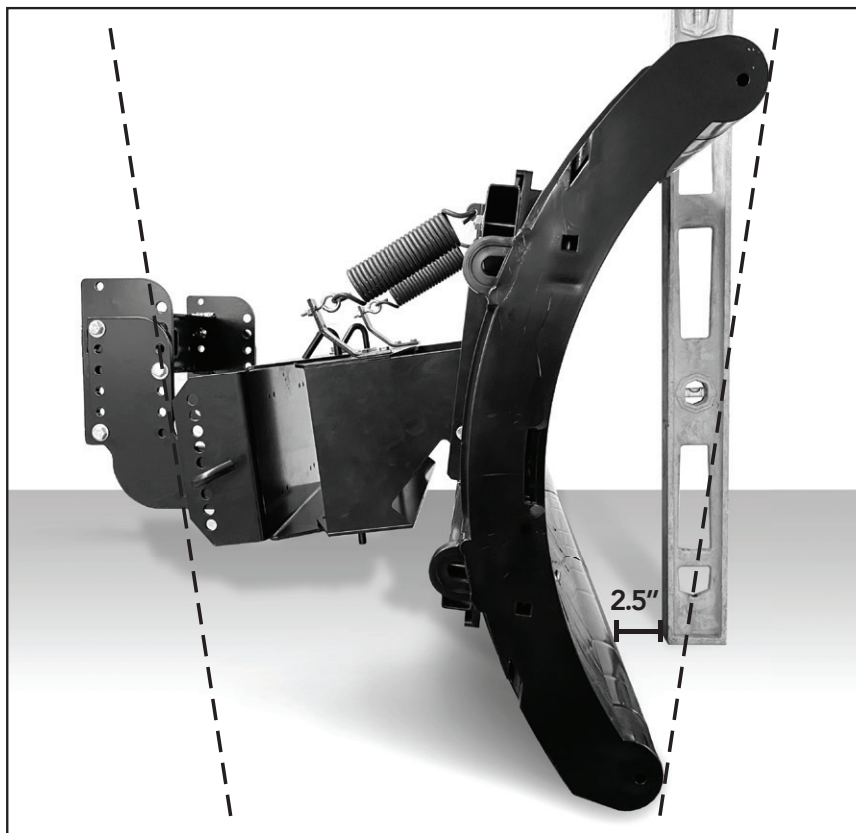
B



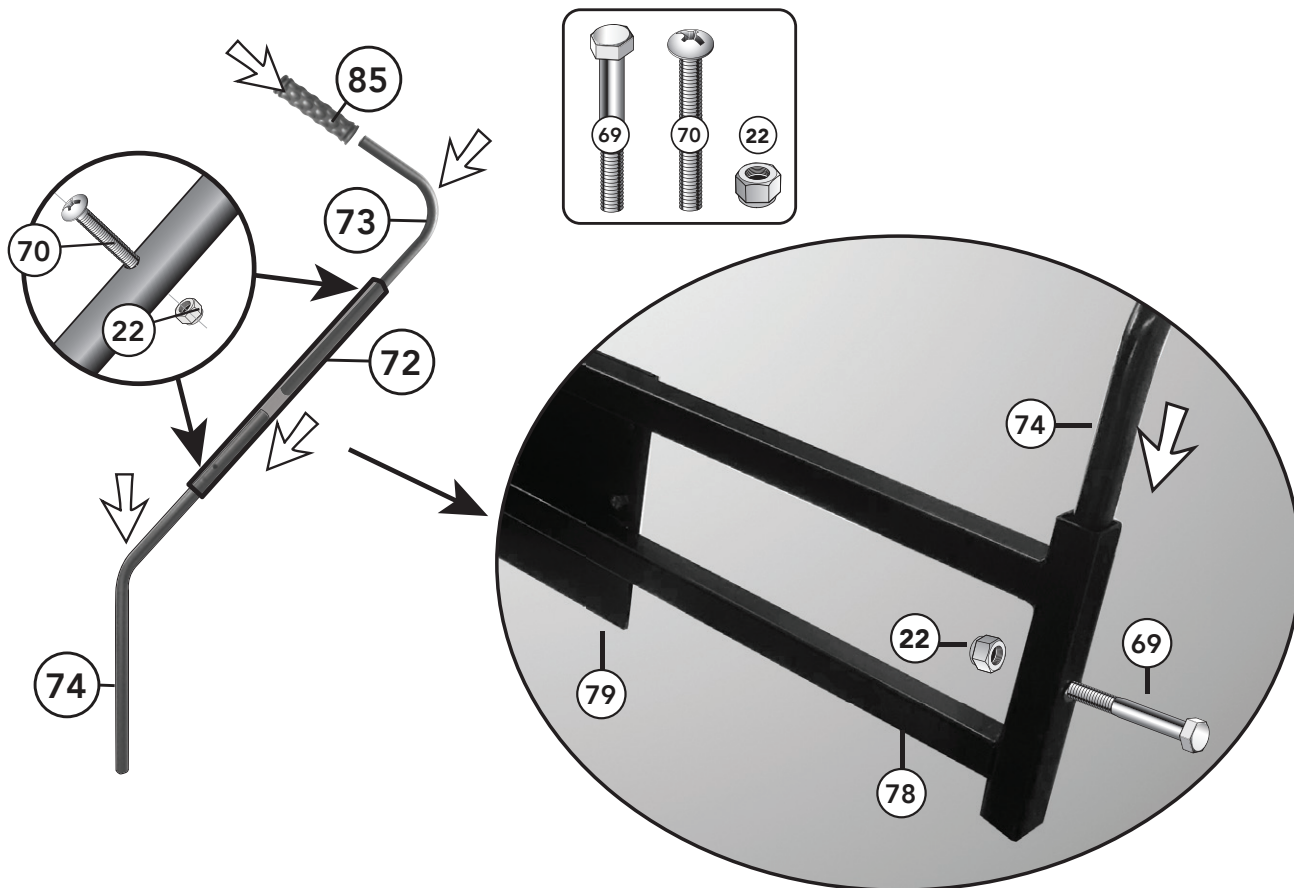
C

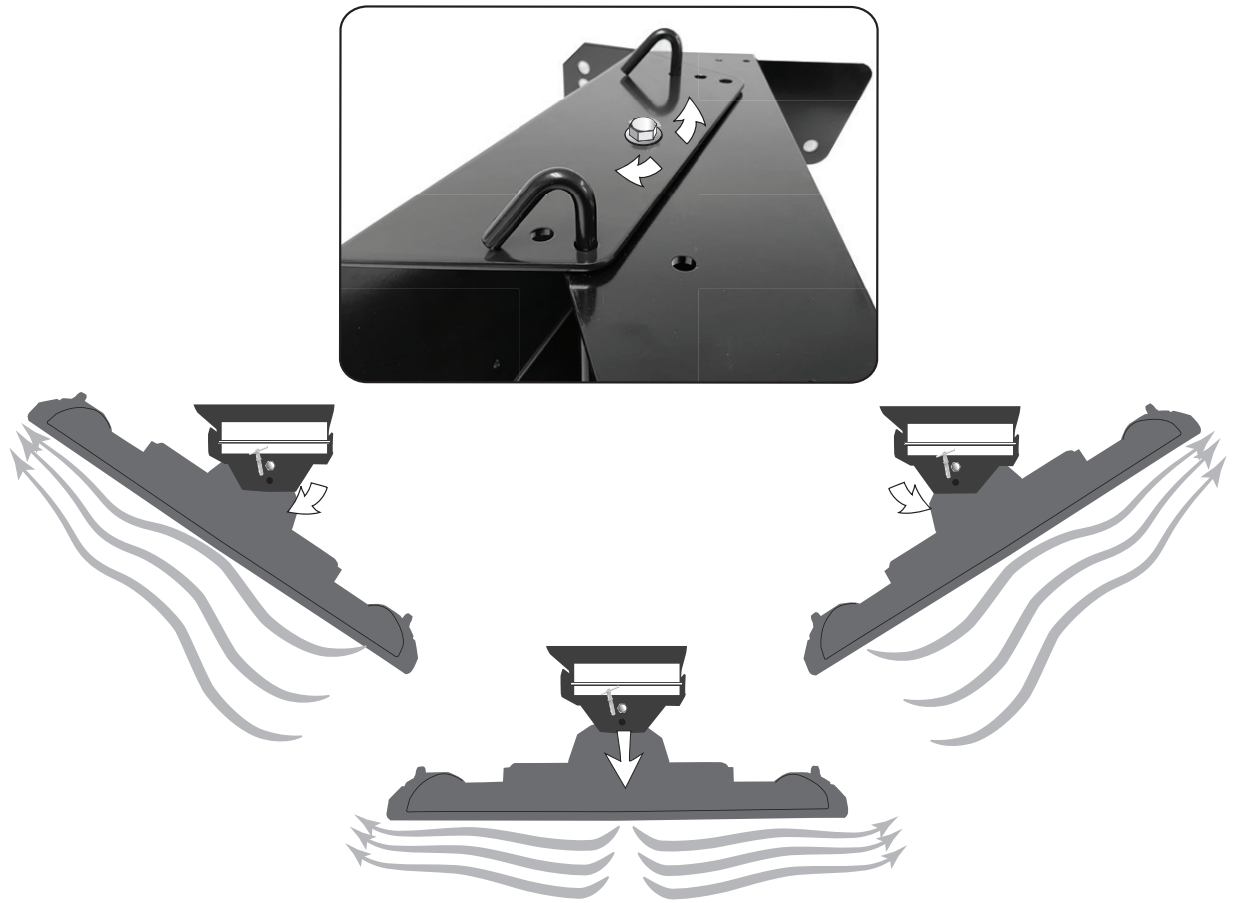






ASSEMBLY
TIPS





These instructions are for the Club Car Mounting Kit and are 2 of 2 packages. The Plow and its instructions are packaged and shipped separately.



1-888-662-7569 (PLOW) | 771 W. North Avenue, West Chicago, IL 60185 | www.nordicplow.com

© September 2021