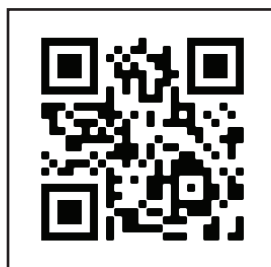




UTV MOUNTING KIT INSTRUCTIONS

DEVELOPED BY NORDIC PLOW™



ASSEMBLY
TIPS

INSTRUCTIONS FAQs & TIPS

SAFETY

Read and understand the plow instructions, Warranty & FAQ and Tips before use.

Scan the QRC instructional videos on the first page or watch the videos on our website before use: www.nordicplow.com

Always instruct other users before they use the plow.

OPERATION

Risk of Injury:

- Never allow children to handle the plow.
- Never allow anyone to walk beside or sit on the plow when in use.
- ^a **Never operate the plow over 2 to 3 mph. Keep a slow steady speed.**
- If you hit an obstruction, immediately stop the vehicle and reverse direction.

STEP 1: To remove excess space that may exist between the belly plate and the frame, add a nut (part #38) to the clamp bracket (part #67) first as shown in "Picture A" before attaching.

The Belly Plate (part#65) must be firmly attached. There should be no movement.

Scan the QR code on the cover to see a video tutorial.

STEP 2: Initially, assemble these nuts and bolts loosely by hand until you achieve the desired 7inch (178mm) distance from the ground to the axle hole as shown in steps 3 and 5.

STEP 4: Attach side brace (part #66) on each side of the belly plate (part #65) and then fully tighten all bolts.

STEP 5: Handle Mount Bracket (part #79) installation:

Note: The handle mount bracket is angled and can be attached with the angle facing the plow blade or your machine. It can also be attached to the left or right side of the spring pivot bracket (part #10) per the user's preference.

- A.** Install the axle (part #46) through any set of holes in the spring pivot bracket to use as a guide when attaching the Handle Mount Bracket.
- B.** Attach the handle mount bracket making sure none of the holes interfere with the axle.
- C.** Attach handle extension bracket (part #78) to the handle mount bracket. There are 2 sets of holes in the handle mount bracket to choose from.

STEP 6: Slide spacers (part #40 & 41) onto the axle (part #46) and in between the boot plates (part #63) and spring pivot bracket (part #10) as shown.

STEP 7: The pitch of the blade is controlled by changing the axle hole used in the spring pivot bracket (part #10). The optimal angle is shown here but you can change the angle to fit your needs.

STEP 10: We recommend using a winch (not provided) for raising and lowering the blade.

1-888-662-7569 (PLOW)

771 W. North Avenue West Chicago, IL 60185

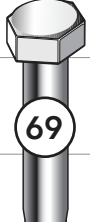
www.nordicplow.com

1/4"



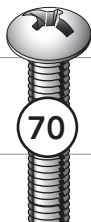
81

194
x4



69

H-11201
x1



70

P-31103
x2

1"

2"

21



46978
x4

22



47189
x3

5/16"



61

841
x4

1"

2"

3"

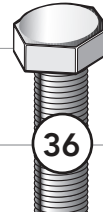
4"

62



2625
x4

3/8"



36

43001
x14

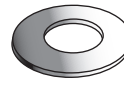
1"

2"

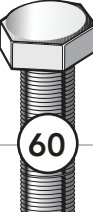
3"

4"

37



43070
x16



60

43054
x4

38



44072
x16

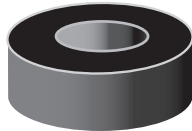
1/2"

40



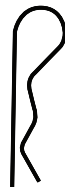
47398
x1

41

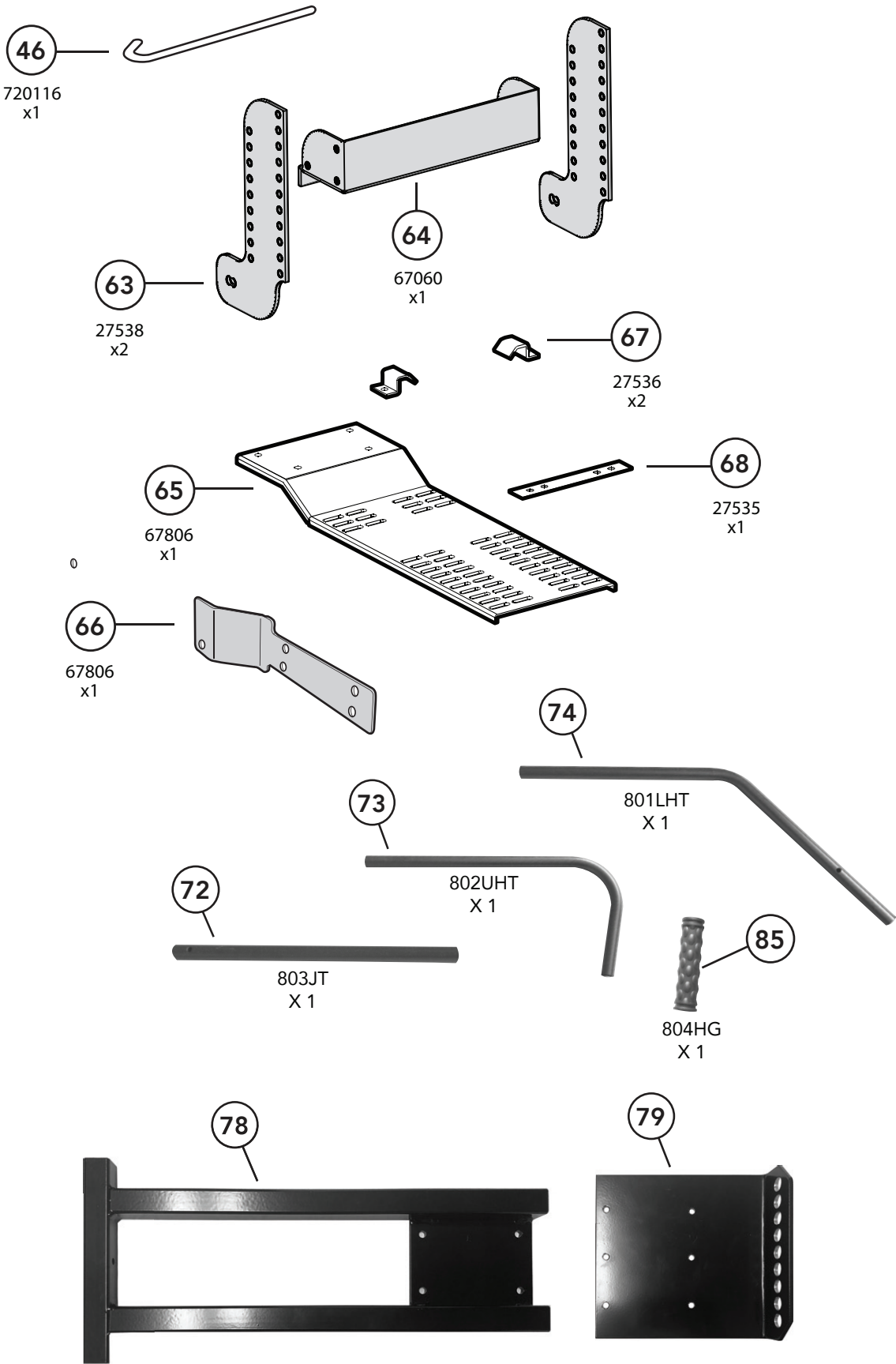


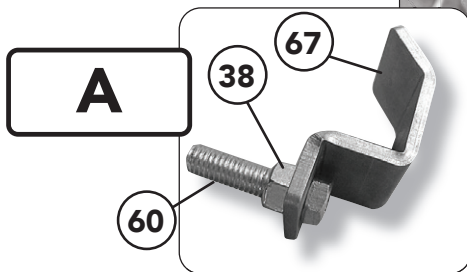
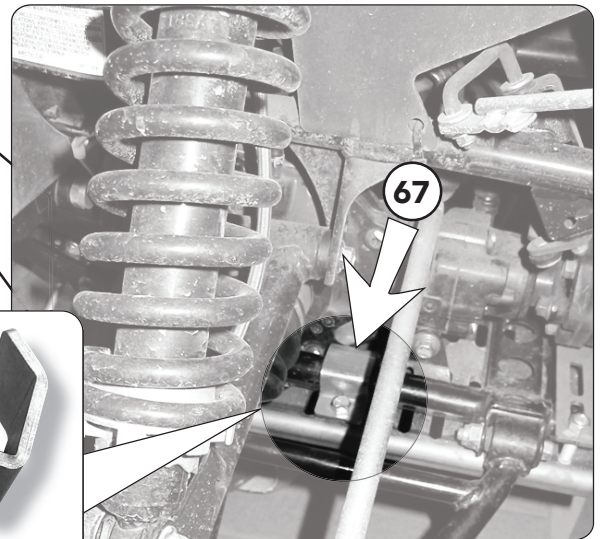
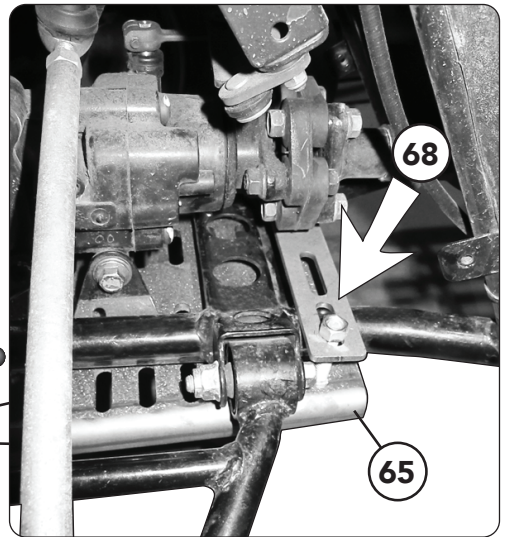
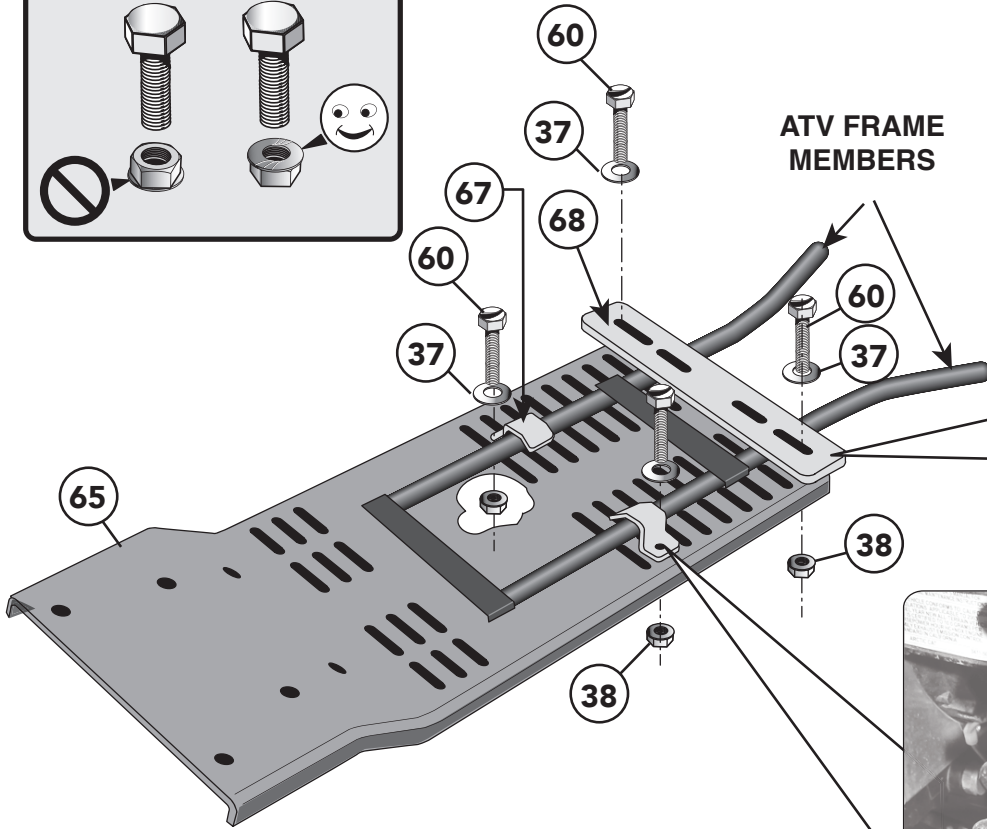
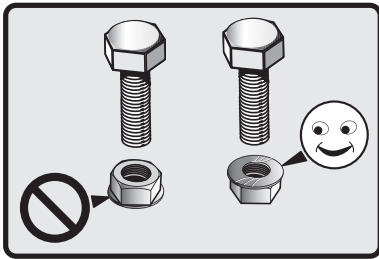
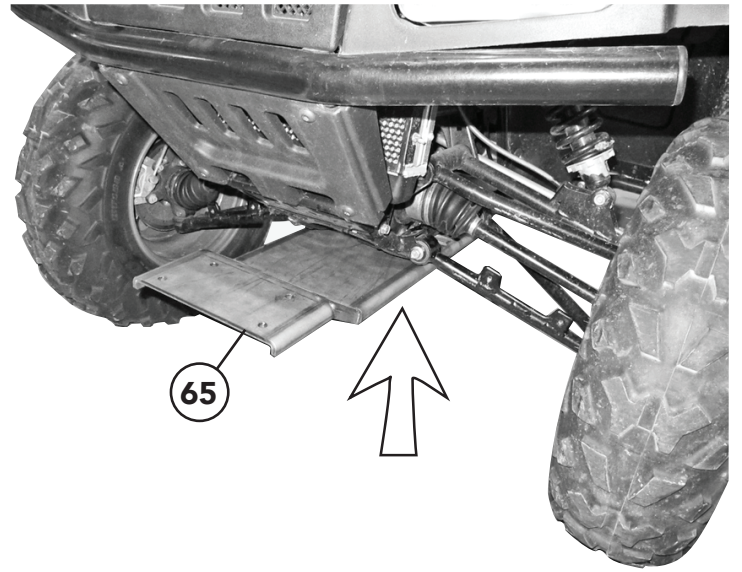
712-3083
x1

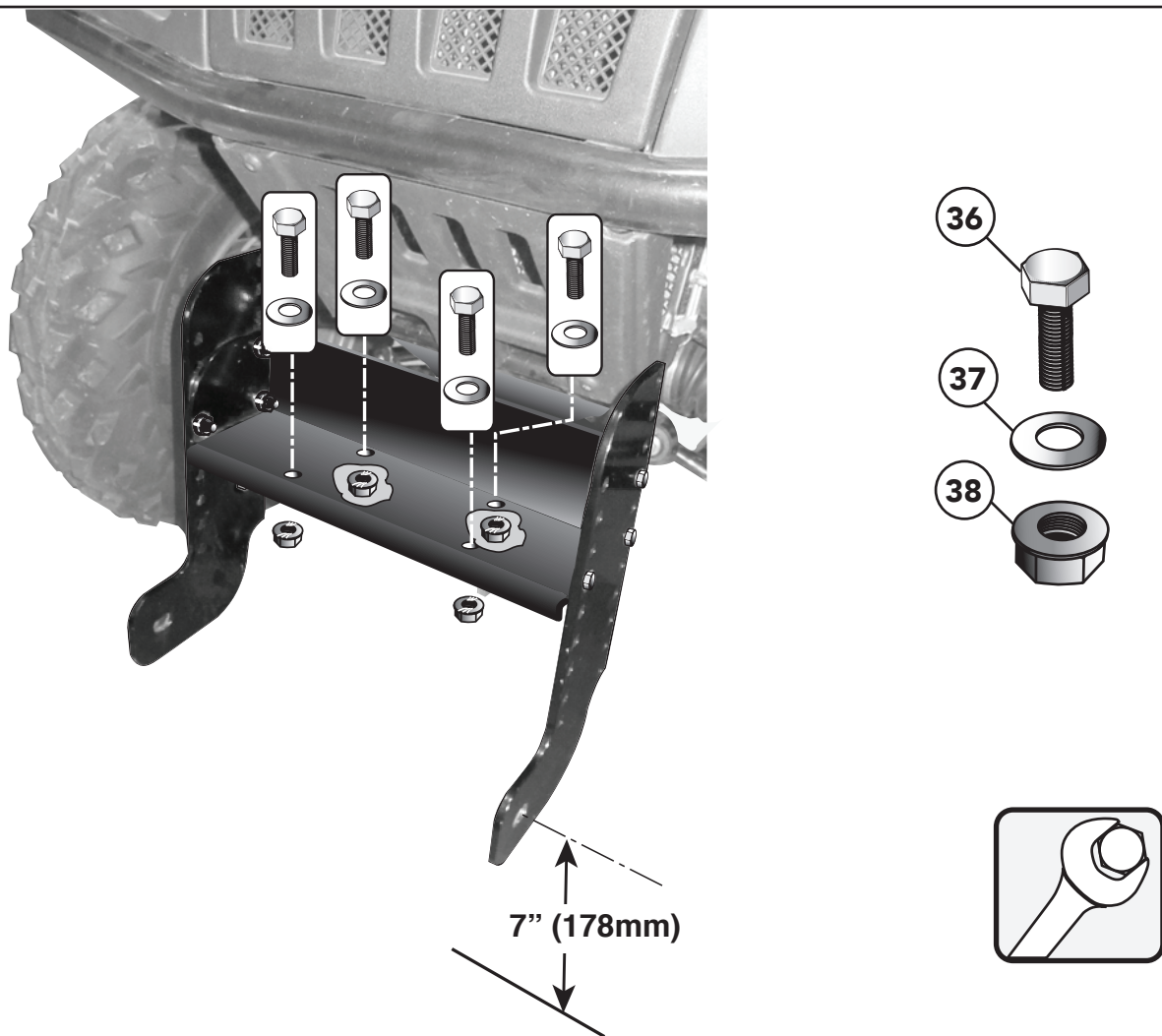
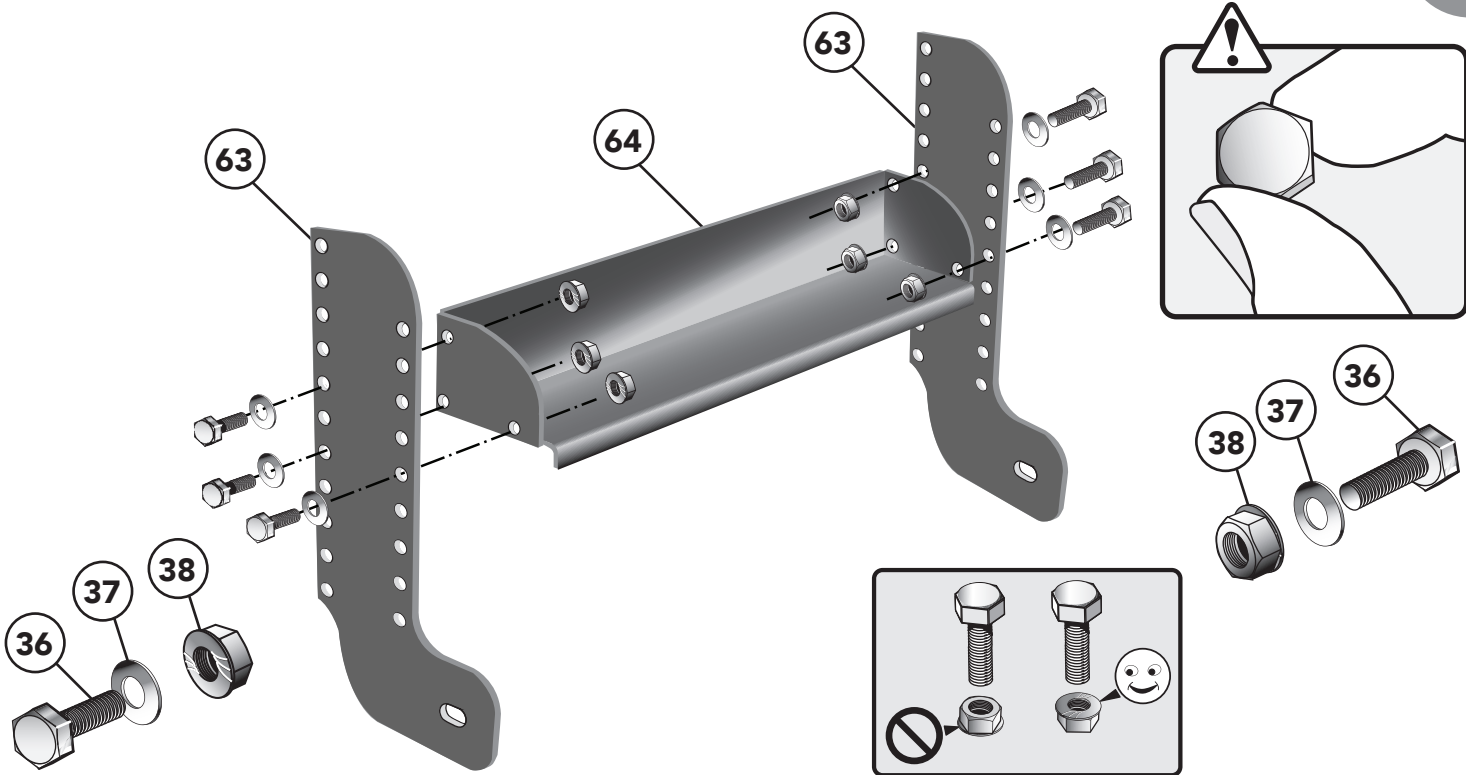
28

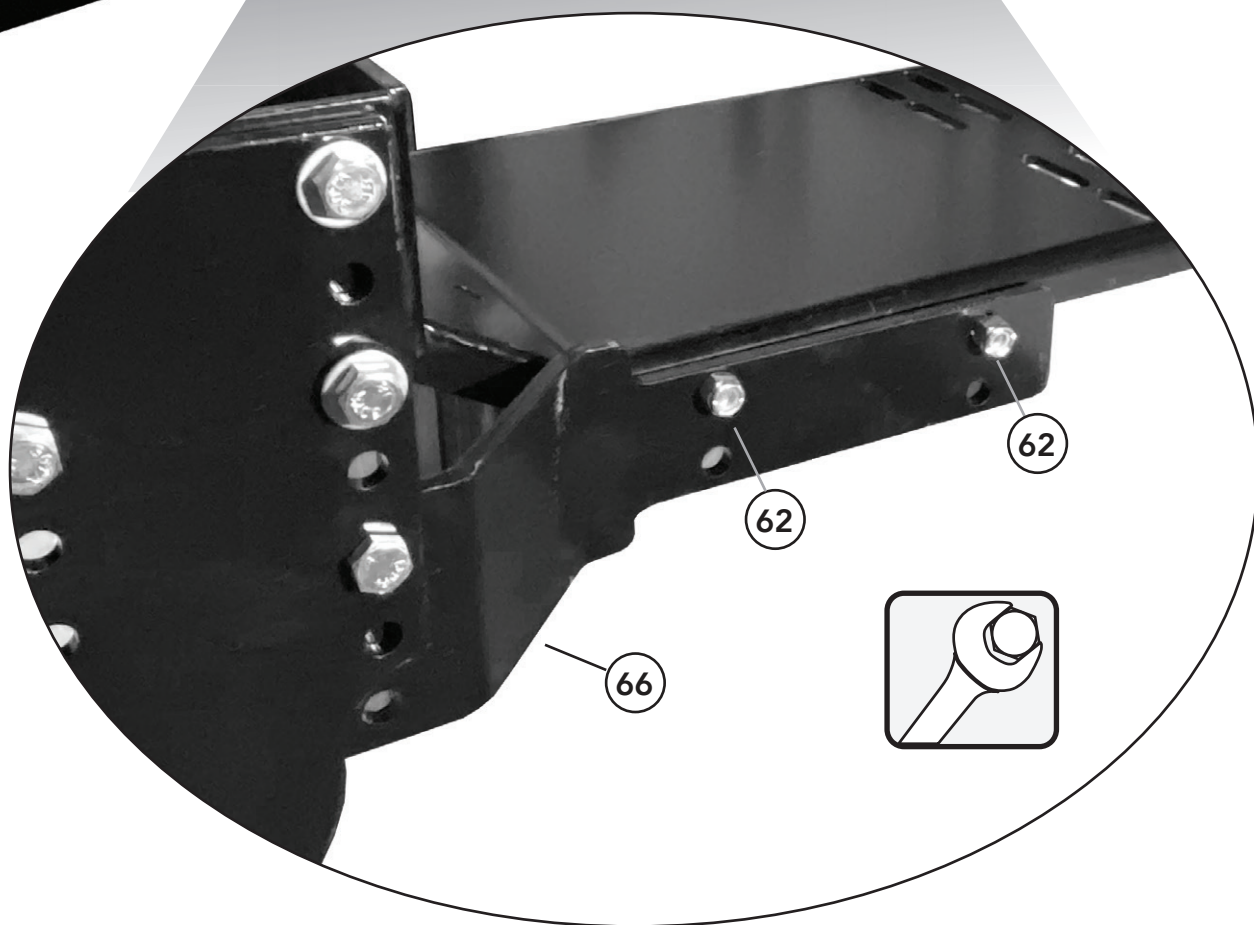
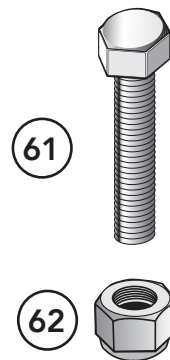
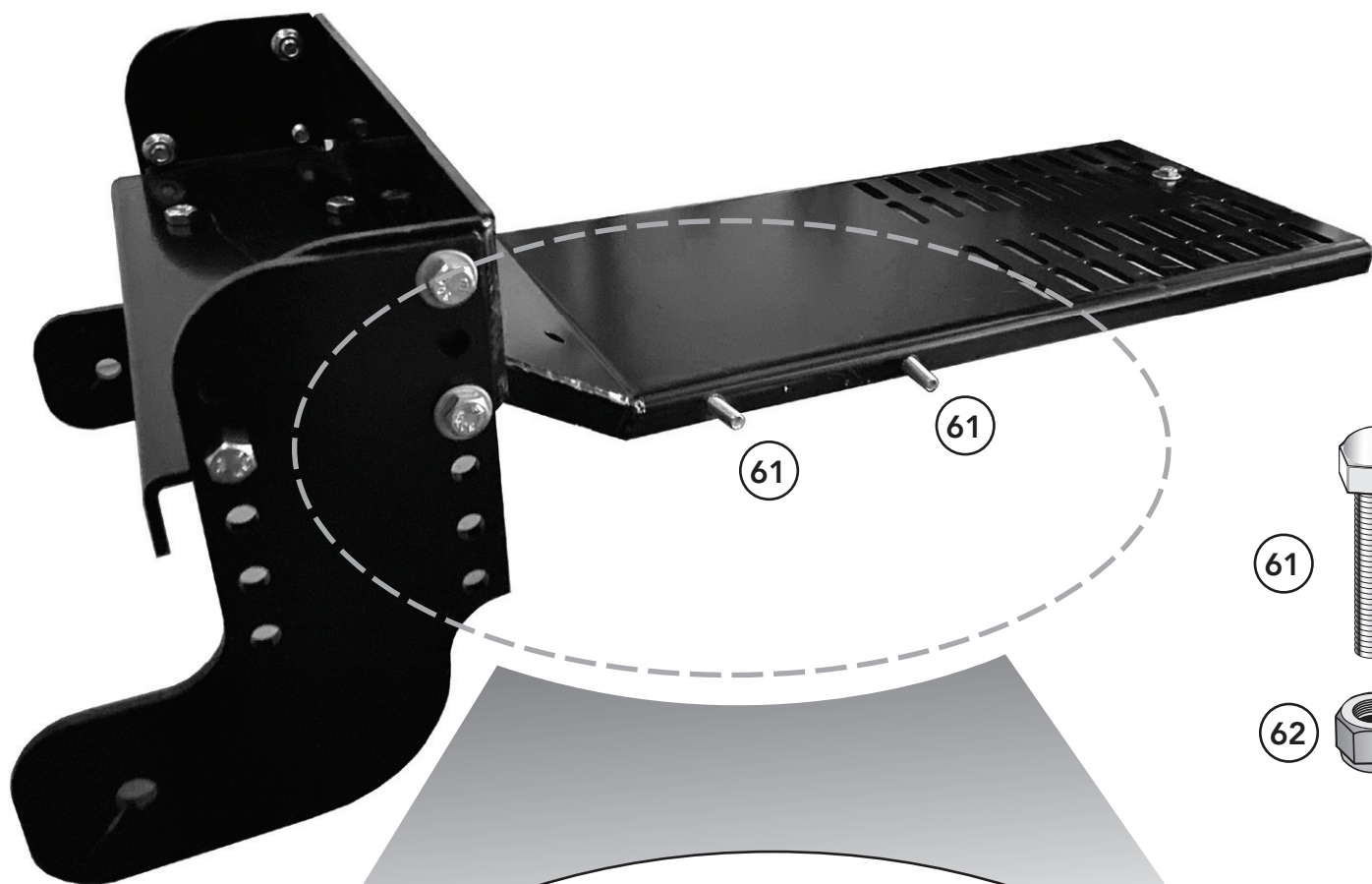


43343
x1

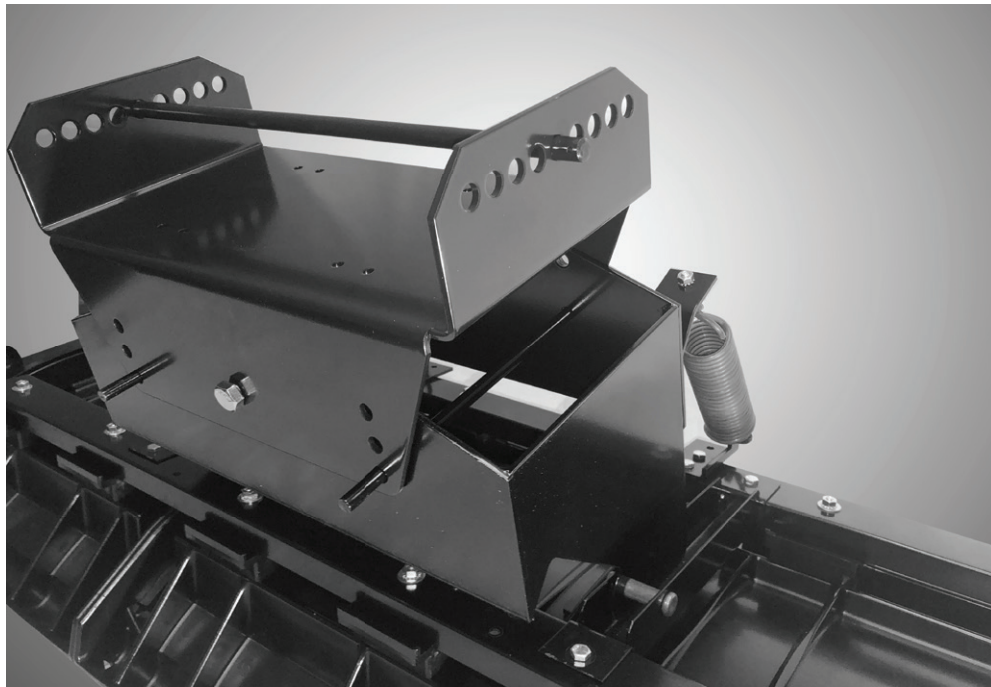




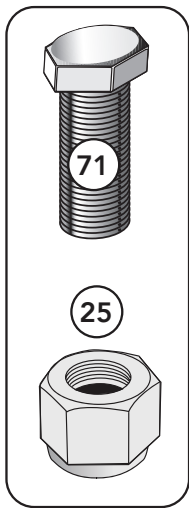




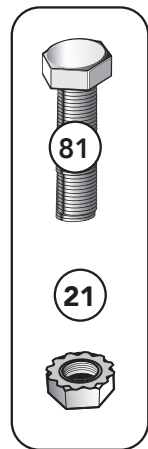
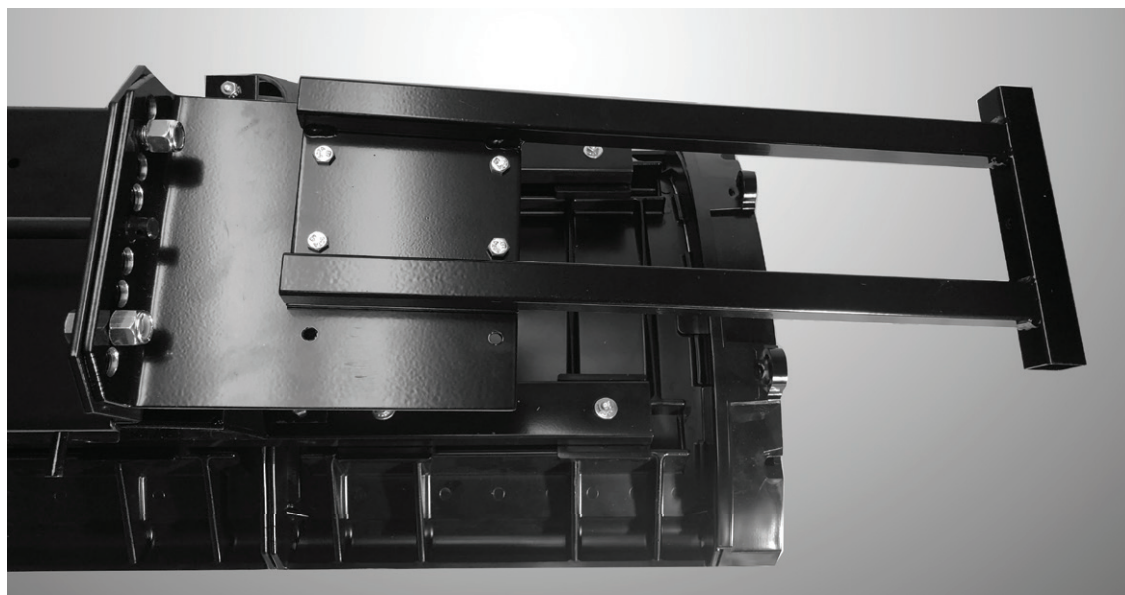
A

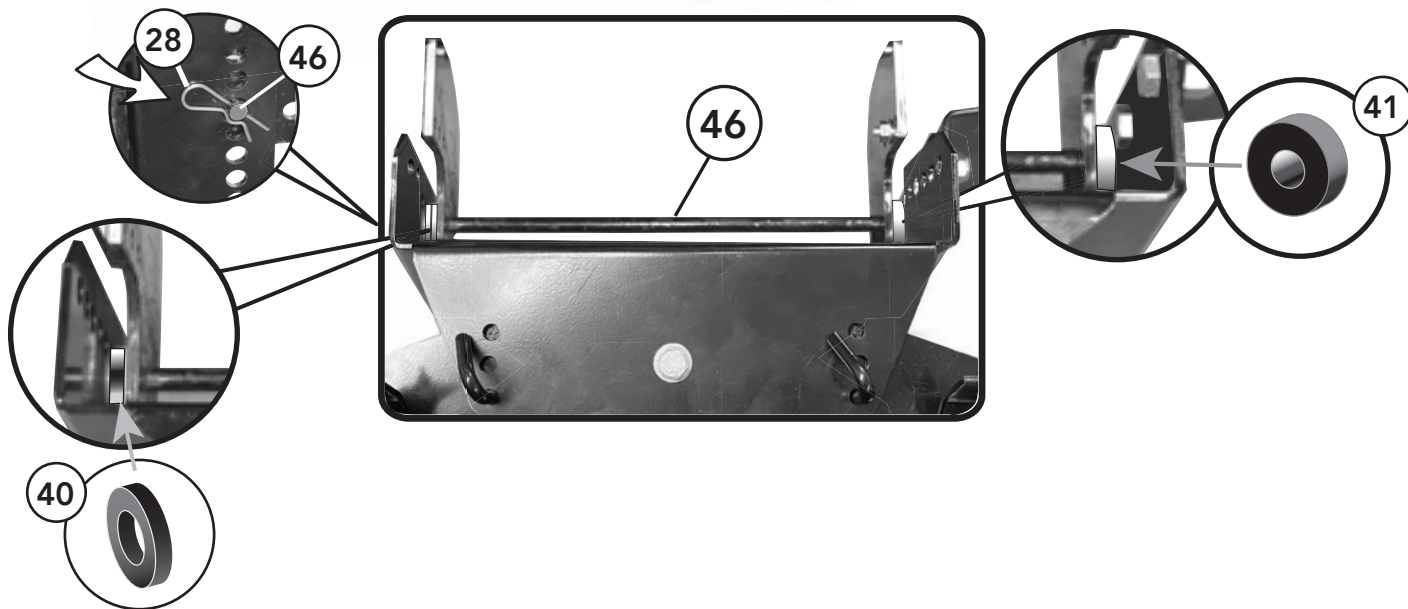
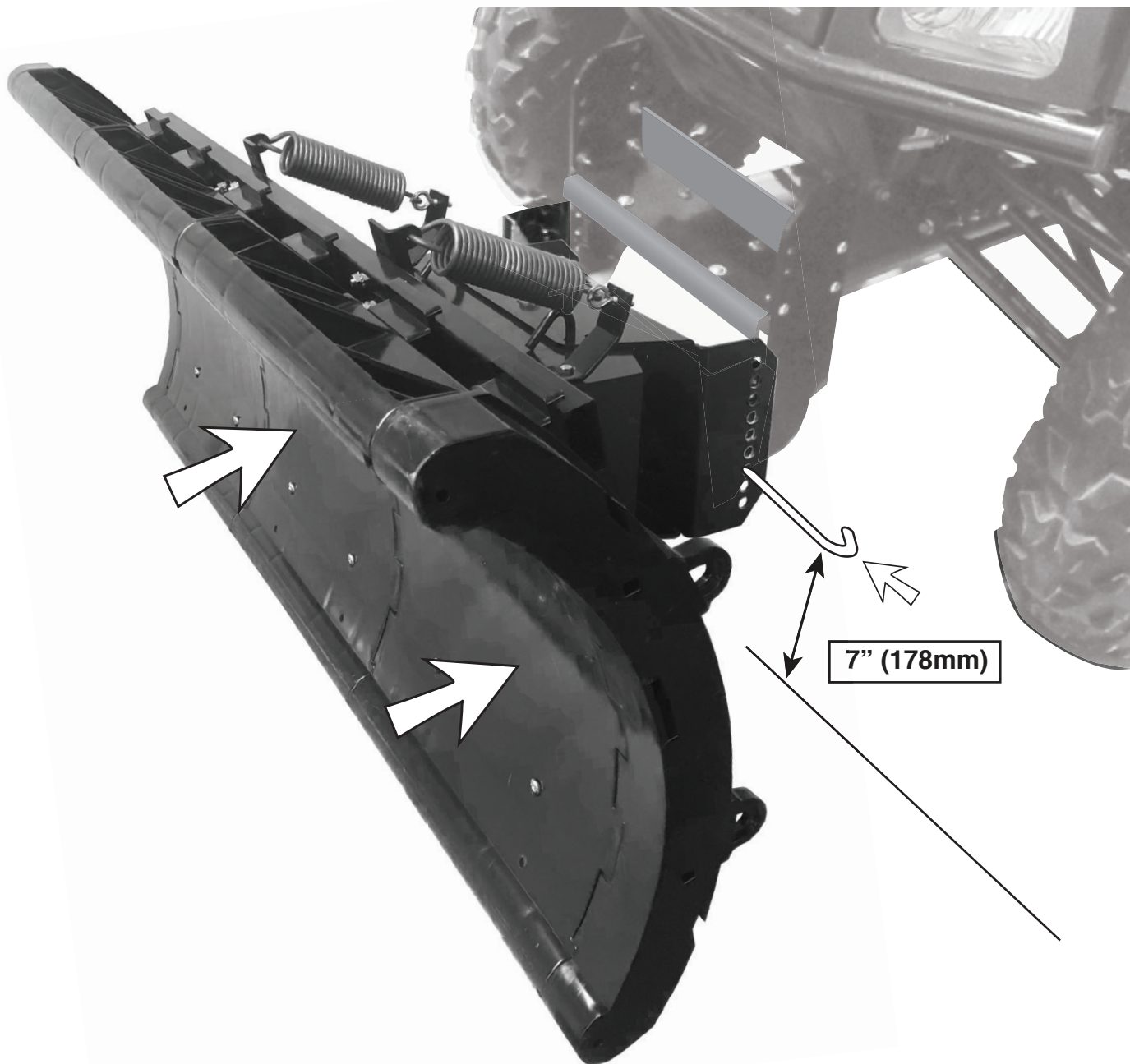


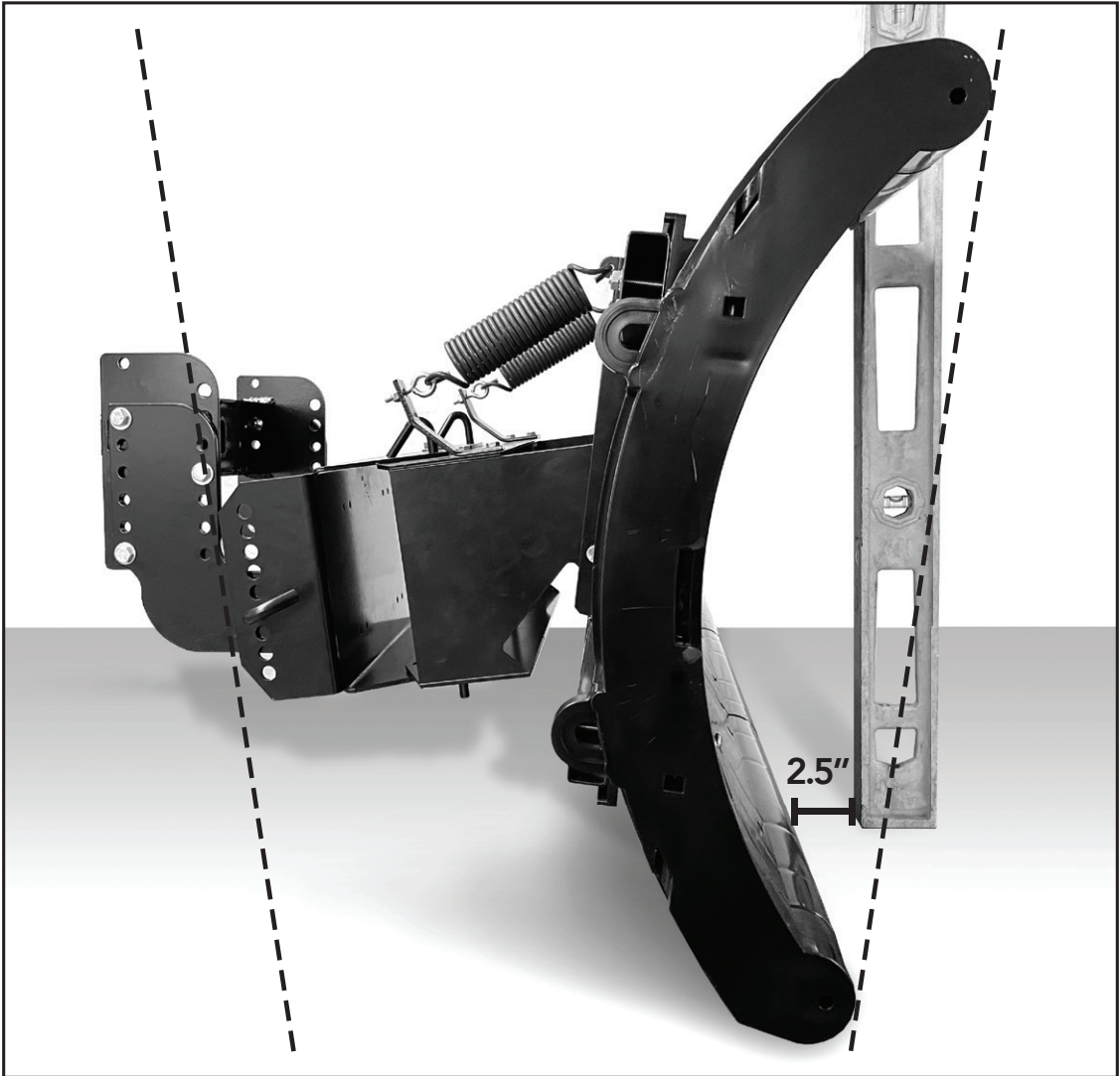
B



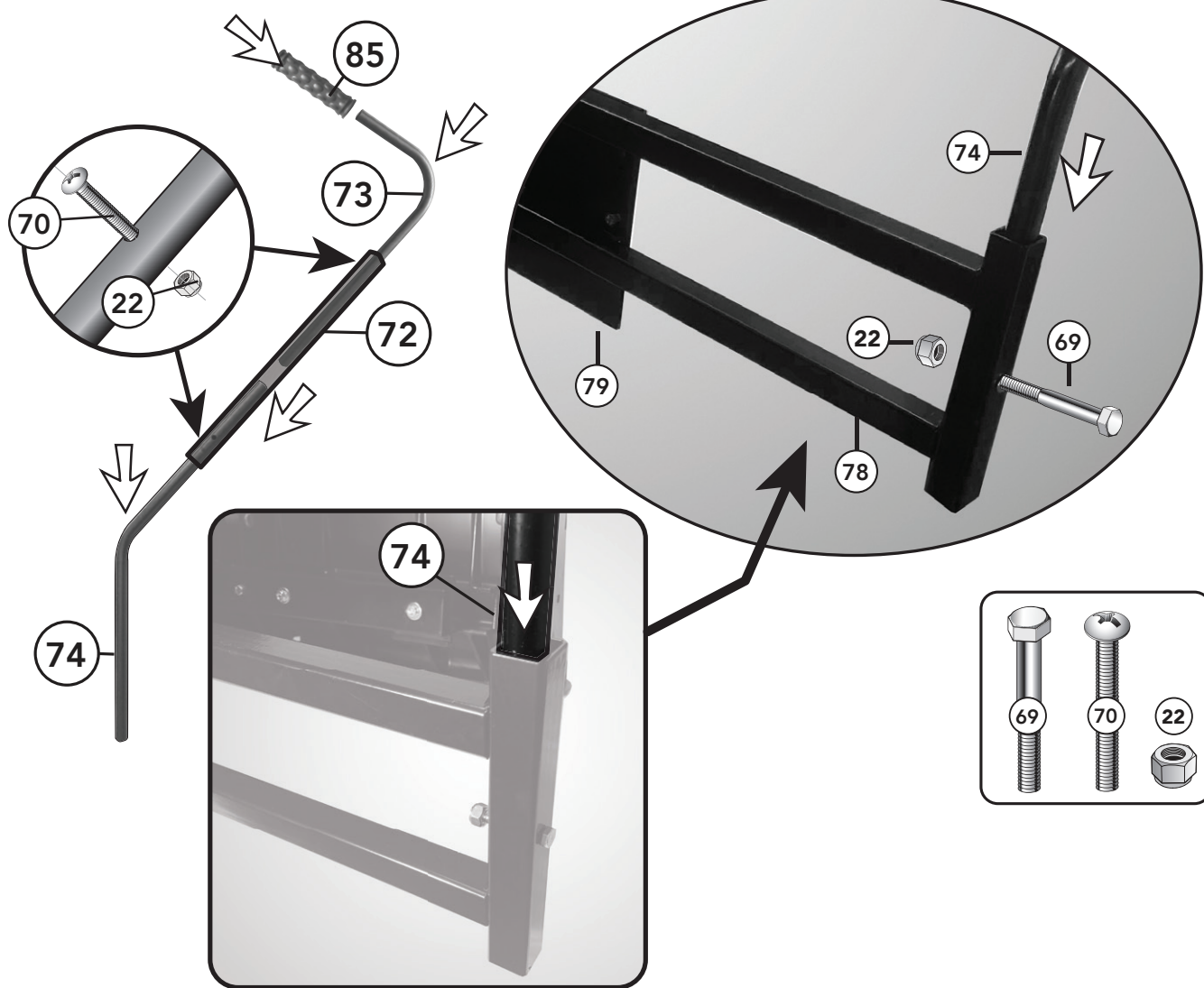
C

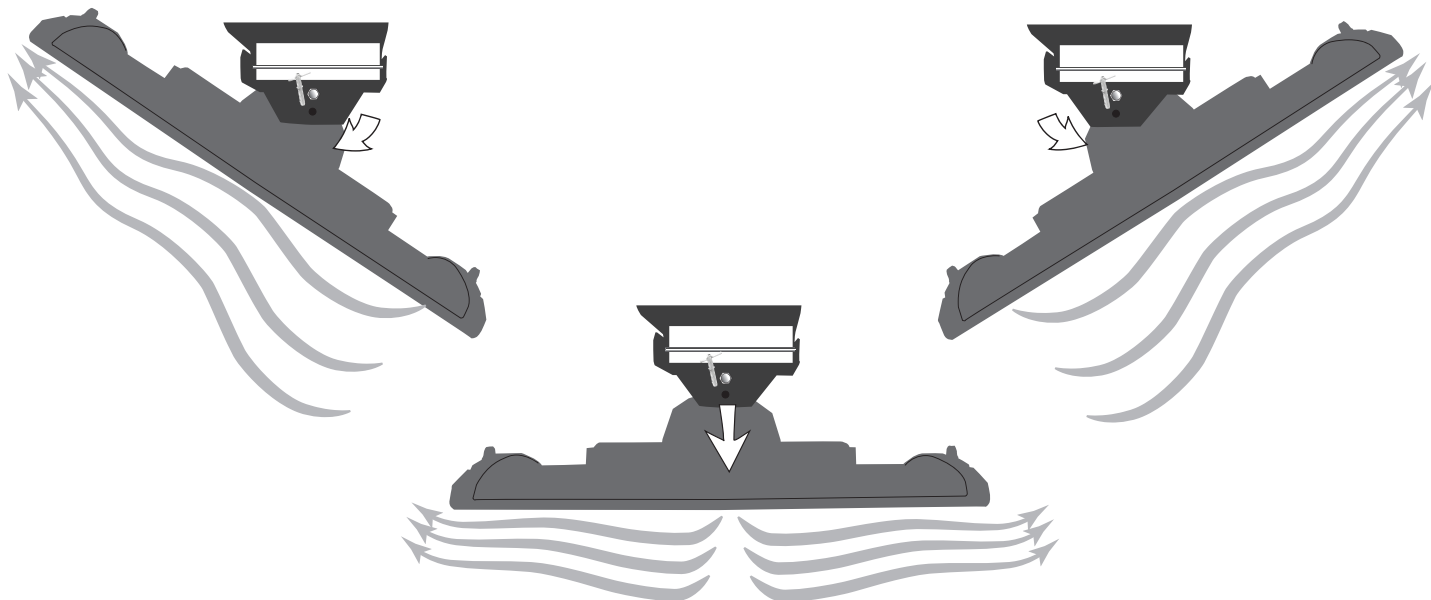
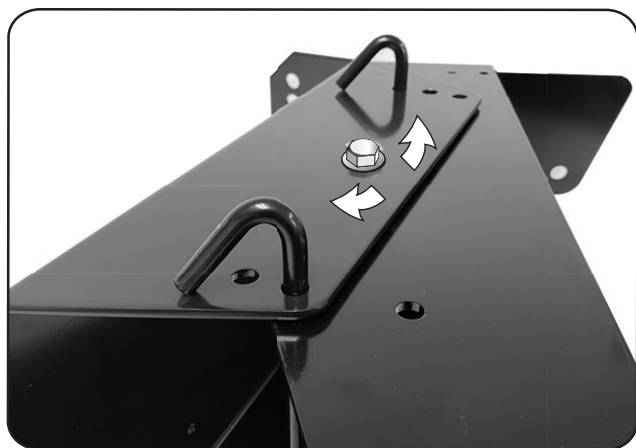




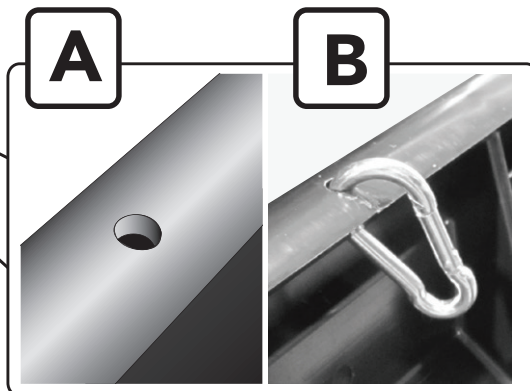


ASSEMBLY
TIPS





**NOTE:
USE ATV WINCH
TO RAISE AND
LOWER PLOW**



These instructions are for the UTV Mounting Kit and are 2 of 2 packages.
The Plow and its instructions are packaged and shipped separately.



1-888-662-7569 (PLOW) | 771 W. North Avenue, West Chicago, IL 60185 | www.nordicplow.com

© September 2021