



MOUNTING KIT INSTRUCTIONS CUB CADET RZT WITH STEERING WHEEL

DEVELOPED BY NORDIC PLOW™



INSTRUCTIONS FAQs & TIPS

SAFETY

Read and understand the plow instructions, Warranty & FAQ and Tips before use.

Scan the QRC instructional videos on the first page or watch the videos on our website before use: www.nordicplow.com

Always instruct other users before they use the plow.

OPERATION

Risk of Injury:

- Never allow children to handle the plow.
- Never allow anyone to walk beside or sit on the plow when in use.
- ^a **Never operate the plow over 2 to 3 mph. Keep a slow steady speed.**
- If you hit an obstruction, immediately stop the vehicle and reverse direction.

Here are some clarification and tips to help get your Nordic Plow installed correctly.

STEP 1: Using a #30 torx socket, remove the front cover bolts. Carefully lift the cover to give yourself access to the front frame bolts.

STEP 2-3: Remove the mower deck lift rod.

STEP 4-5: Remove bolts as shown in step 4. Install receiver (part #56) up into place and attach with the same bolts removed in step 4.

STEP 6-7: Attach deck lift rod and tighten all bolts.

STEP 8: Install hitch (part #55) and boot plates (part #52). The axle hole in the bottom of the boot plate should be 7-8 inches above the ground as shown in the bottom picture in step 11.

STEP 9: Installation of the handle mount bracket (part #75)

Note:The handle mount bracket is angled and can be attached with the angle facing the plow blade or your machine. It can also be attached to the left or right side of the Spring Pivot Bracket (part #10) per the user's preference.

A. Install the axle (part #46) through any set of holes in the spring pivot bracket to use as a guide when attaching the handle mount bracket.

B. Attach the handle mount bracket making sure none of the holes interfere with the axle.

STEP 11 – Slide spacers (Part #40 & 41) onto the axle (Part #47) and in between the boot plates (Part #52) and spring pivot bracket (Part #10) as shown.

STEP 12 – It is important to watch the video with the QR Code to learn and understand how to best set the pitch of the blade.

1-888-662-7569 (PLOW)

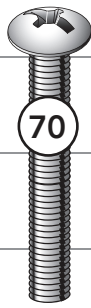
771 W. North Avenue West Chicago, IL 60185

www.nordicplow.com

1/4"



69
H-11201
X 1



70
P-31103
X 2

1"

2"



47189
x3



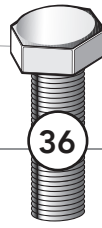
43
C-18769
x1



28
43343
x2

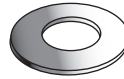


3/8"



36
43001
X 6

1"

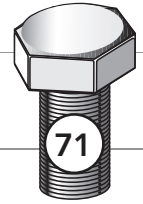


43070
x6



44072
x6

1/2"

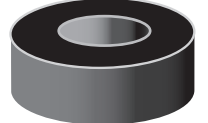


71
H-46521
X 2

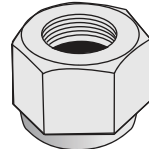
1"



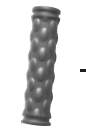
47398
x1



712-3083
x1



712-3083
x2



804HG
x1



85



46
67803
x1



52
27665
x2



55
27966
x1



56
67965
x1



74
801LHT
x1



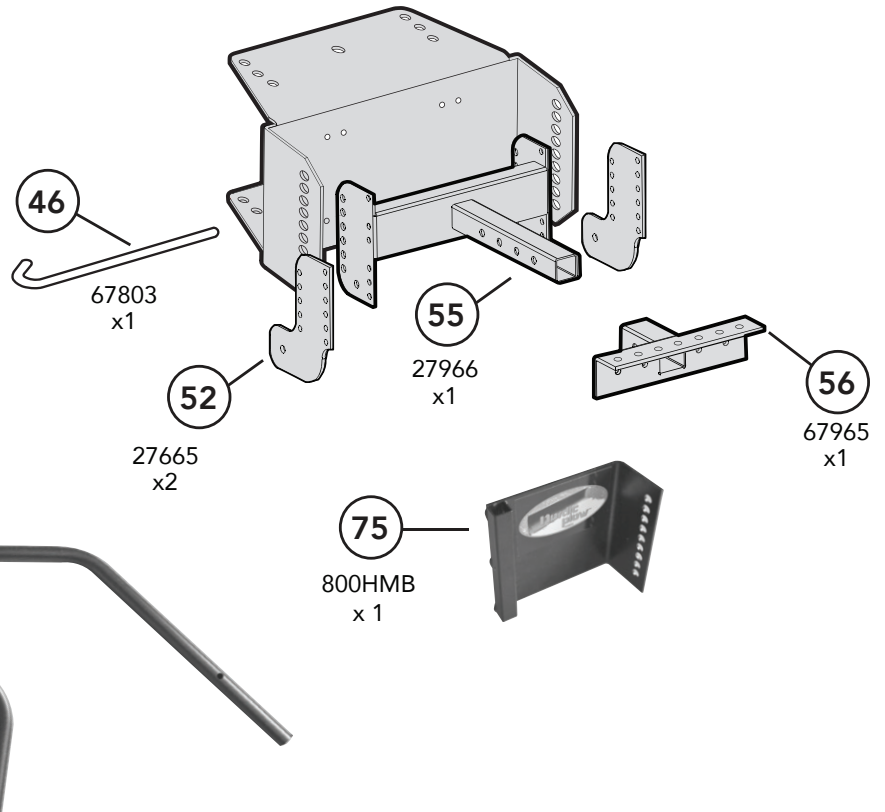
73
802UHT
x1

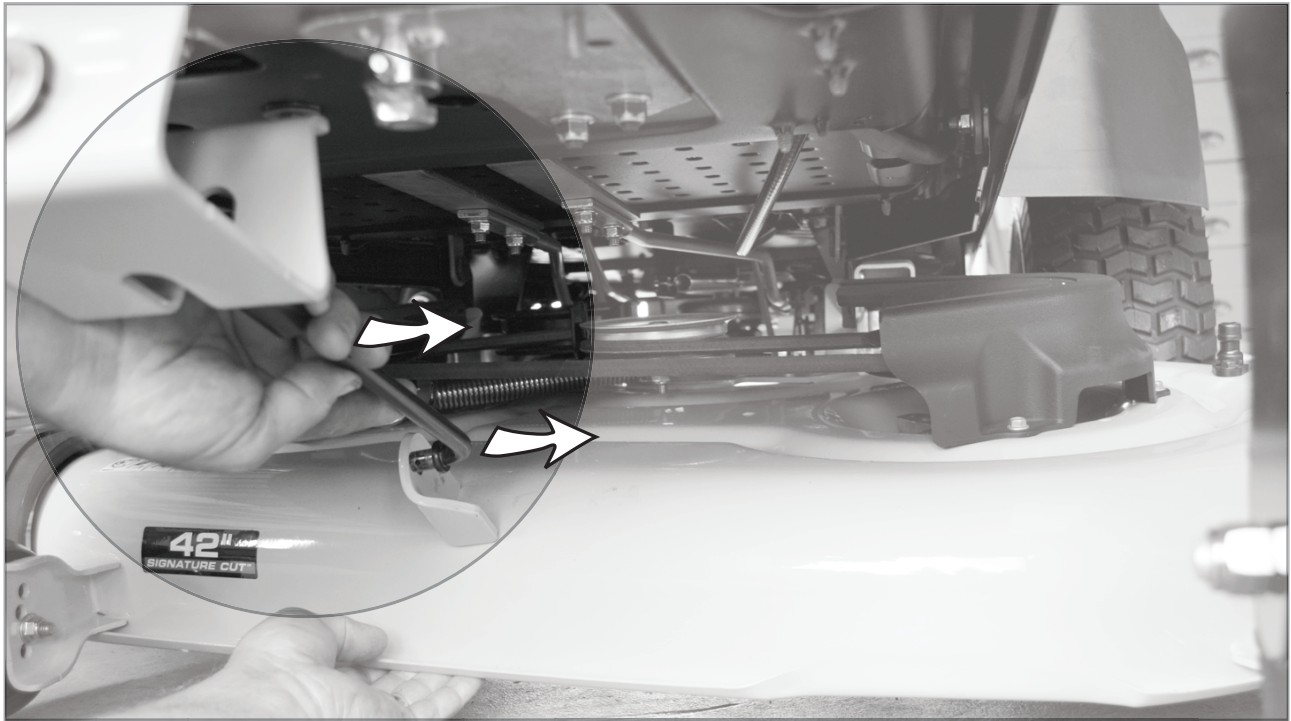


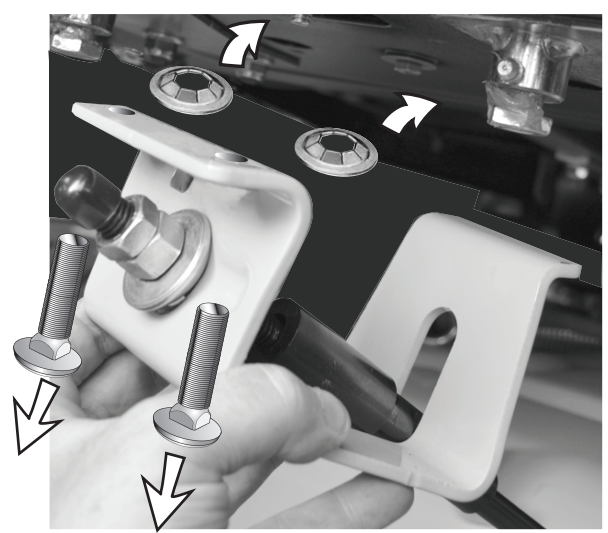
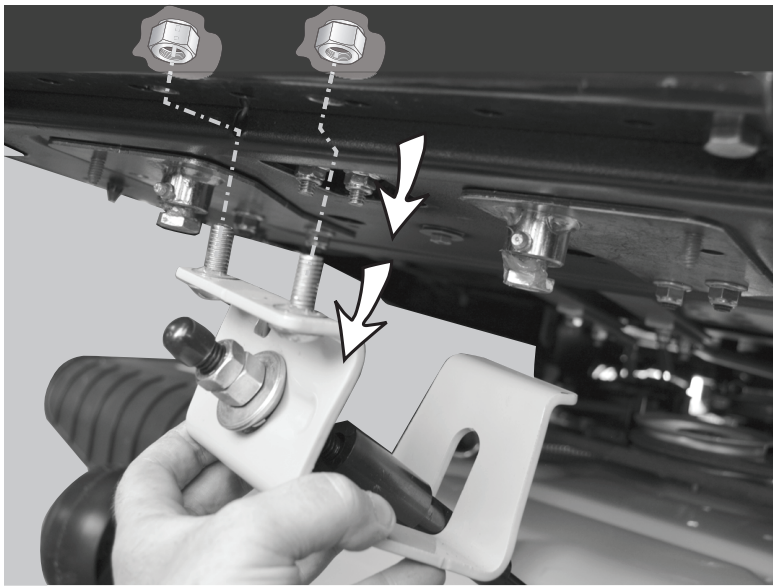
72
803JT
x1



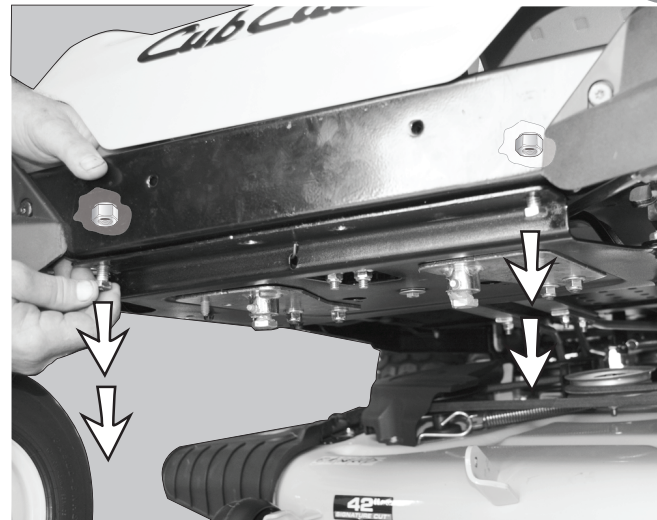
75
800HMB
x 1



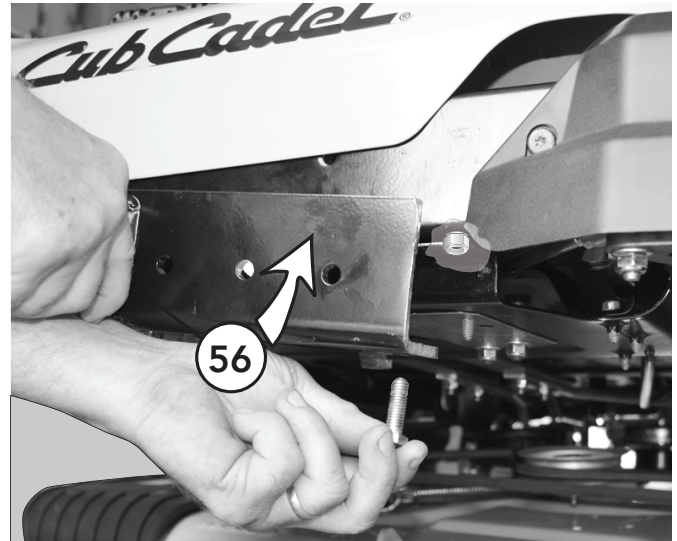




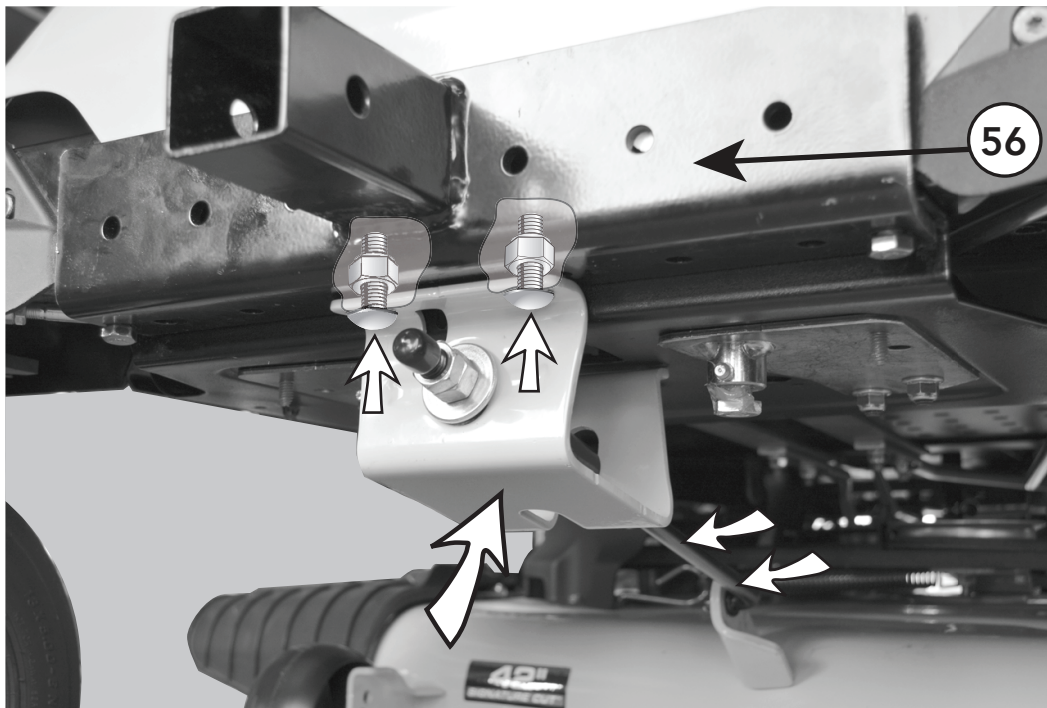
3



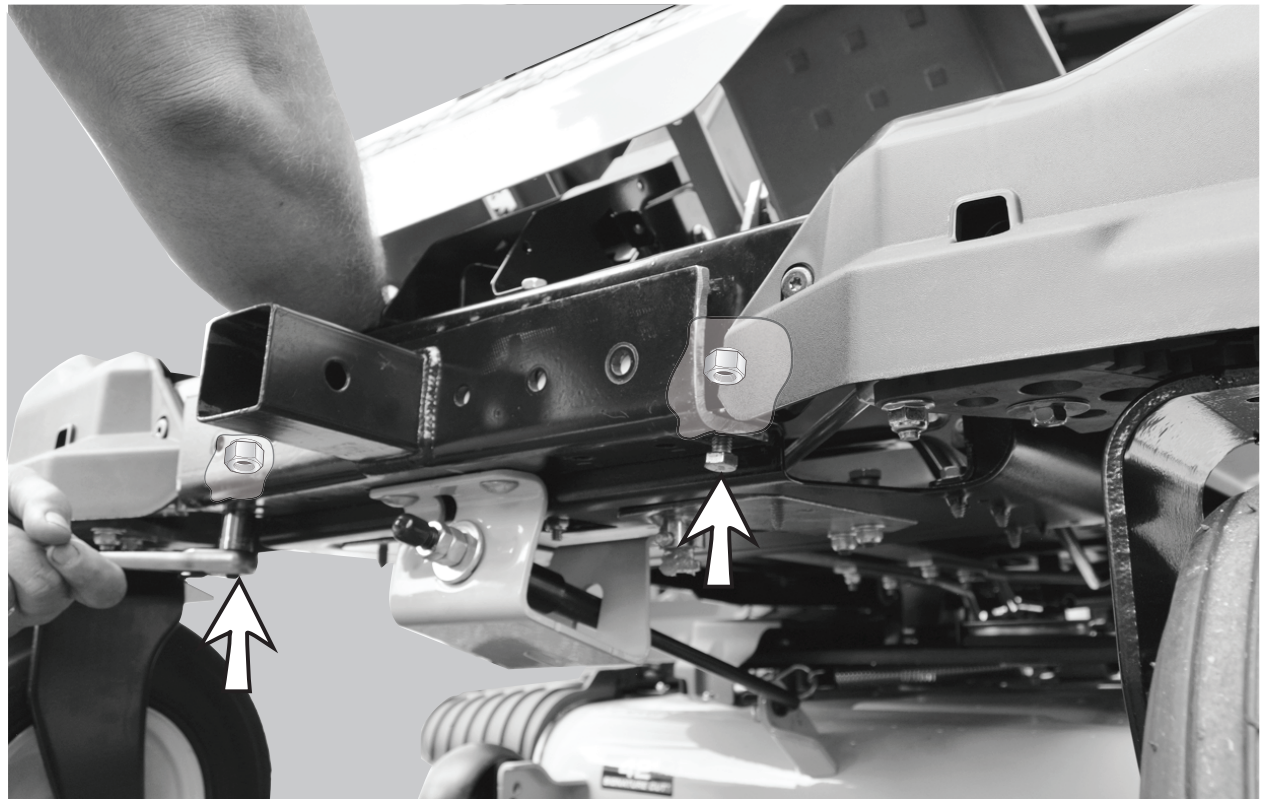
4

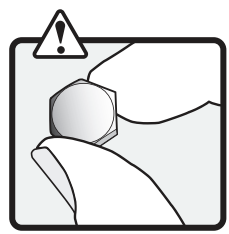
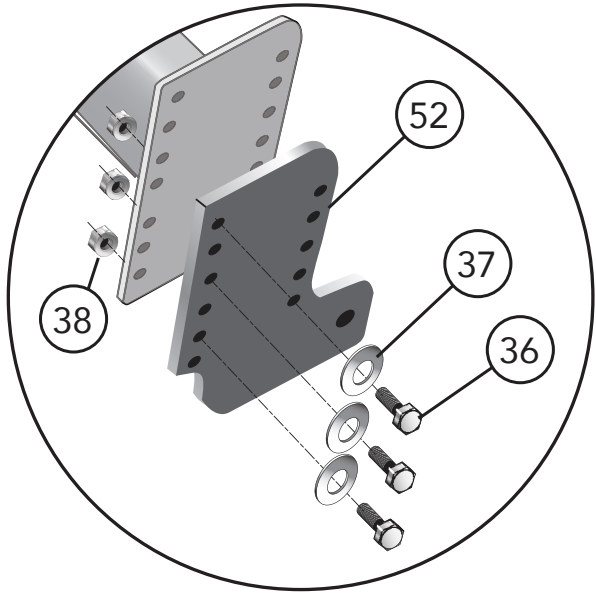
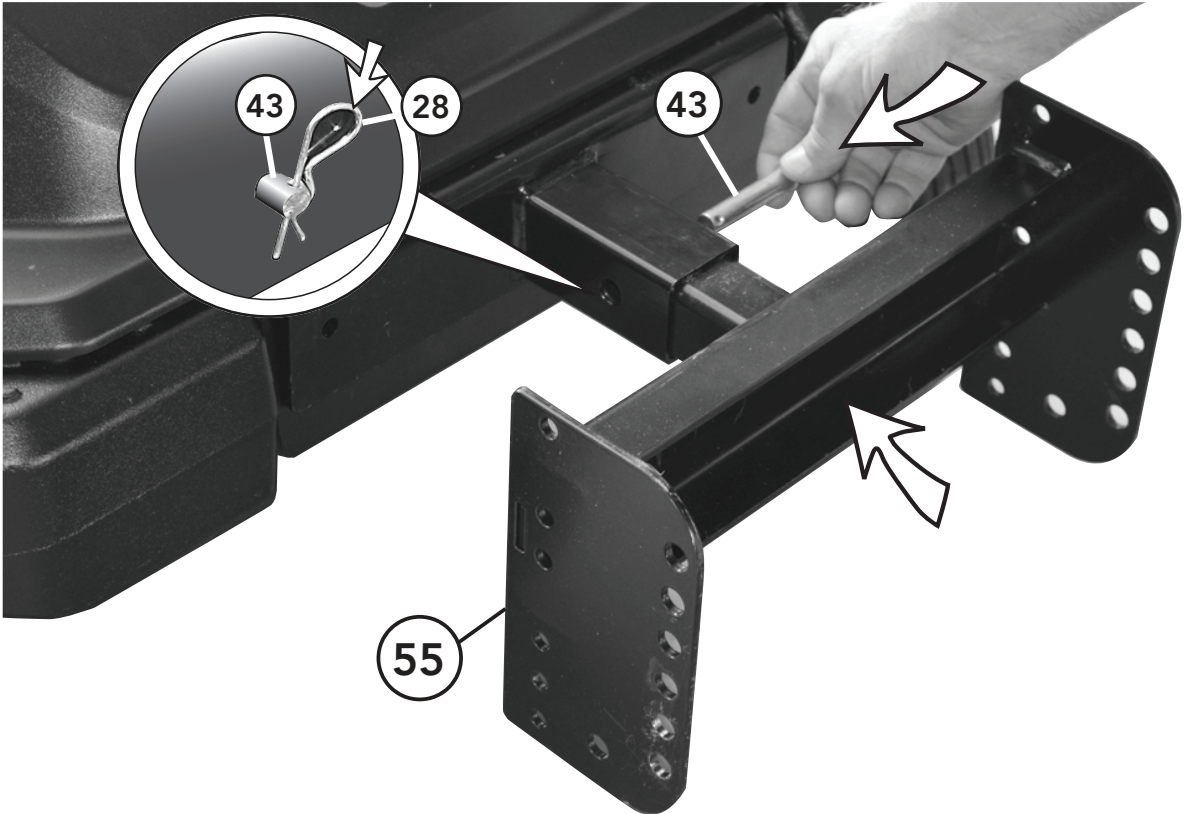


5

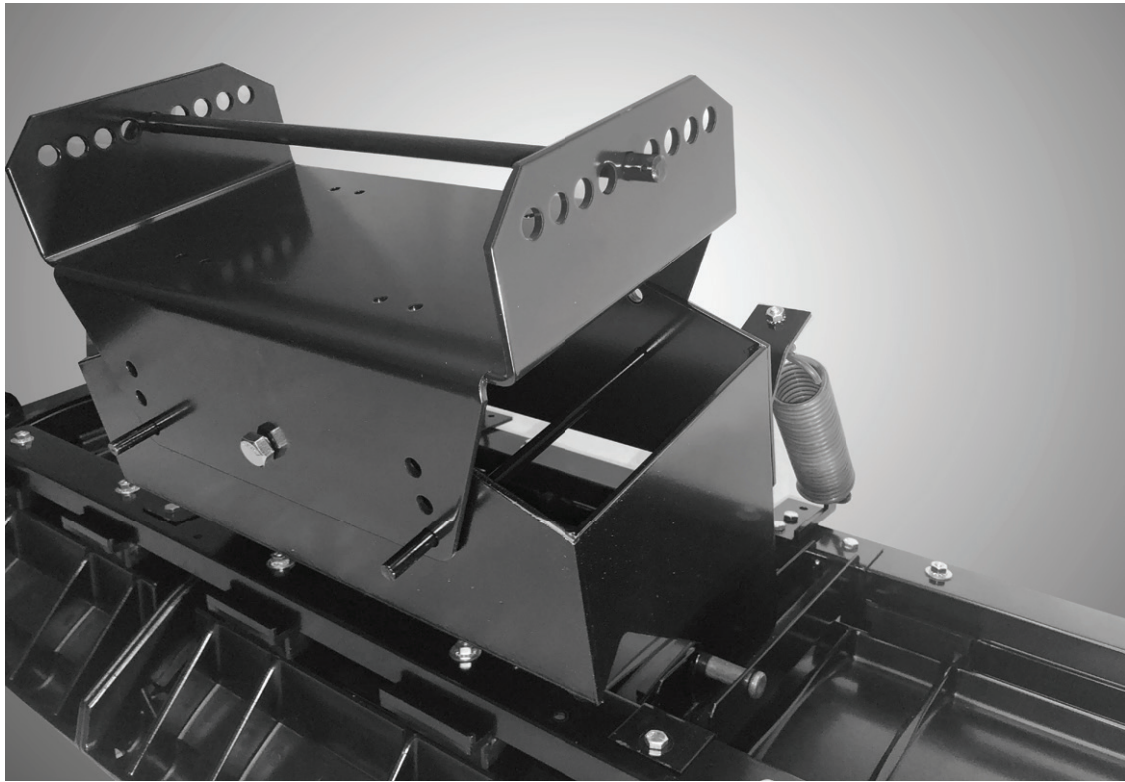


6

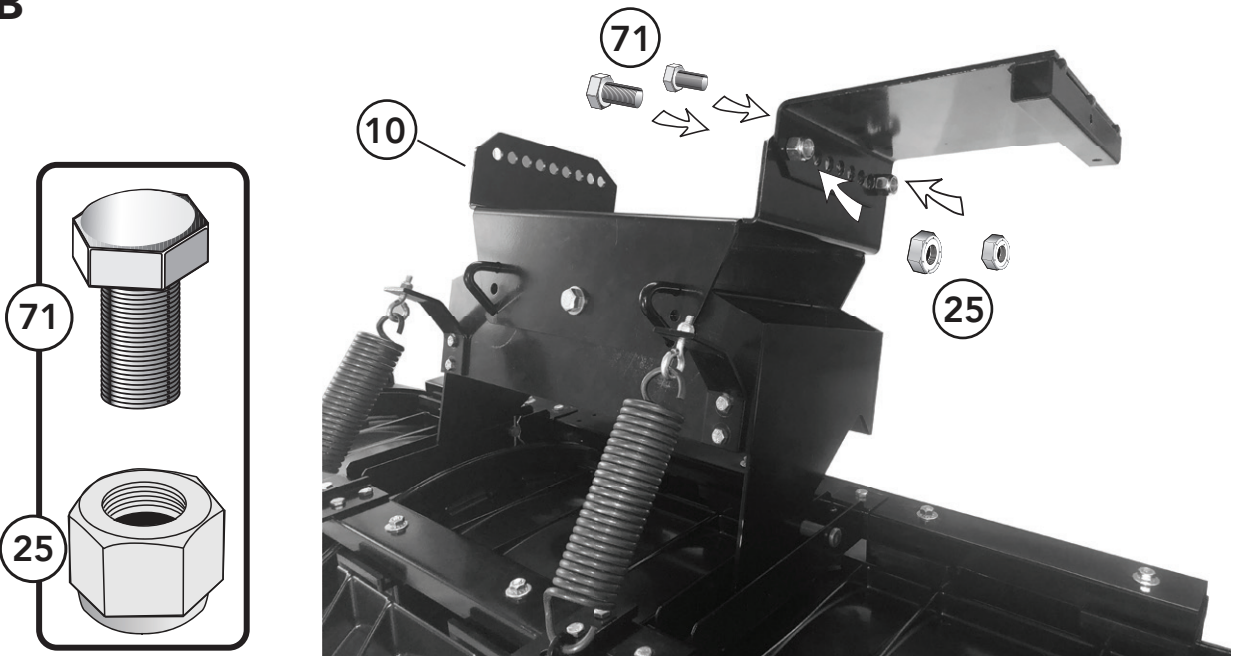


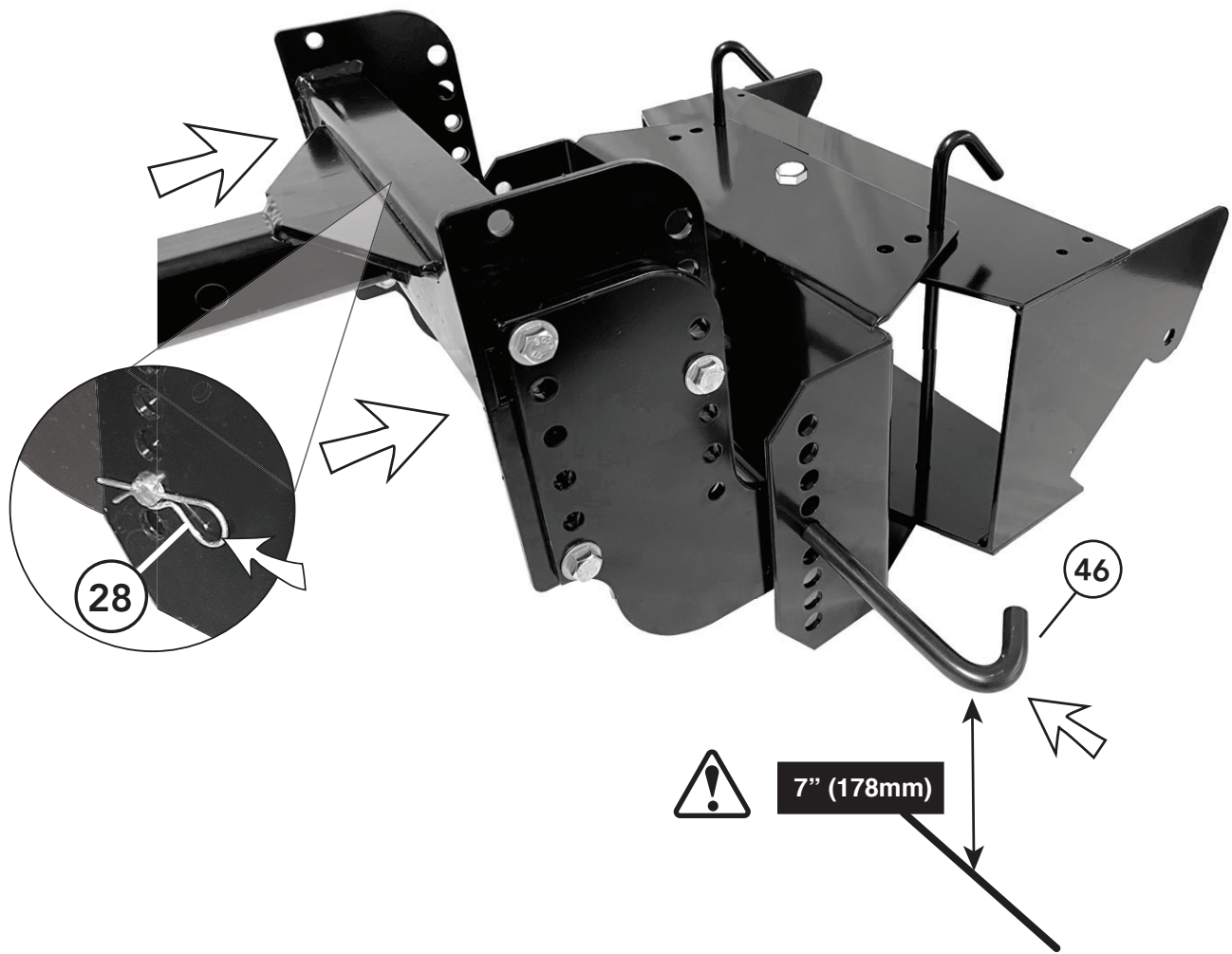
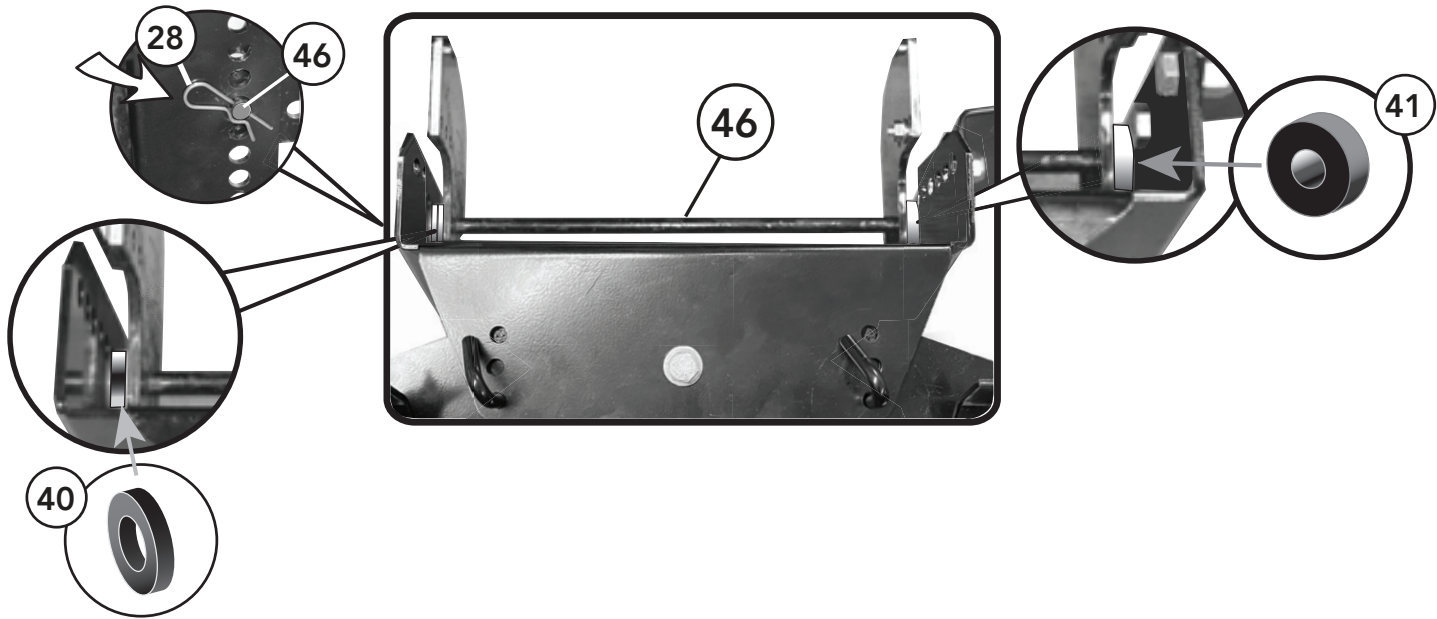


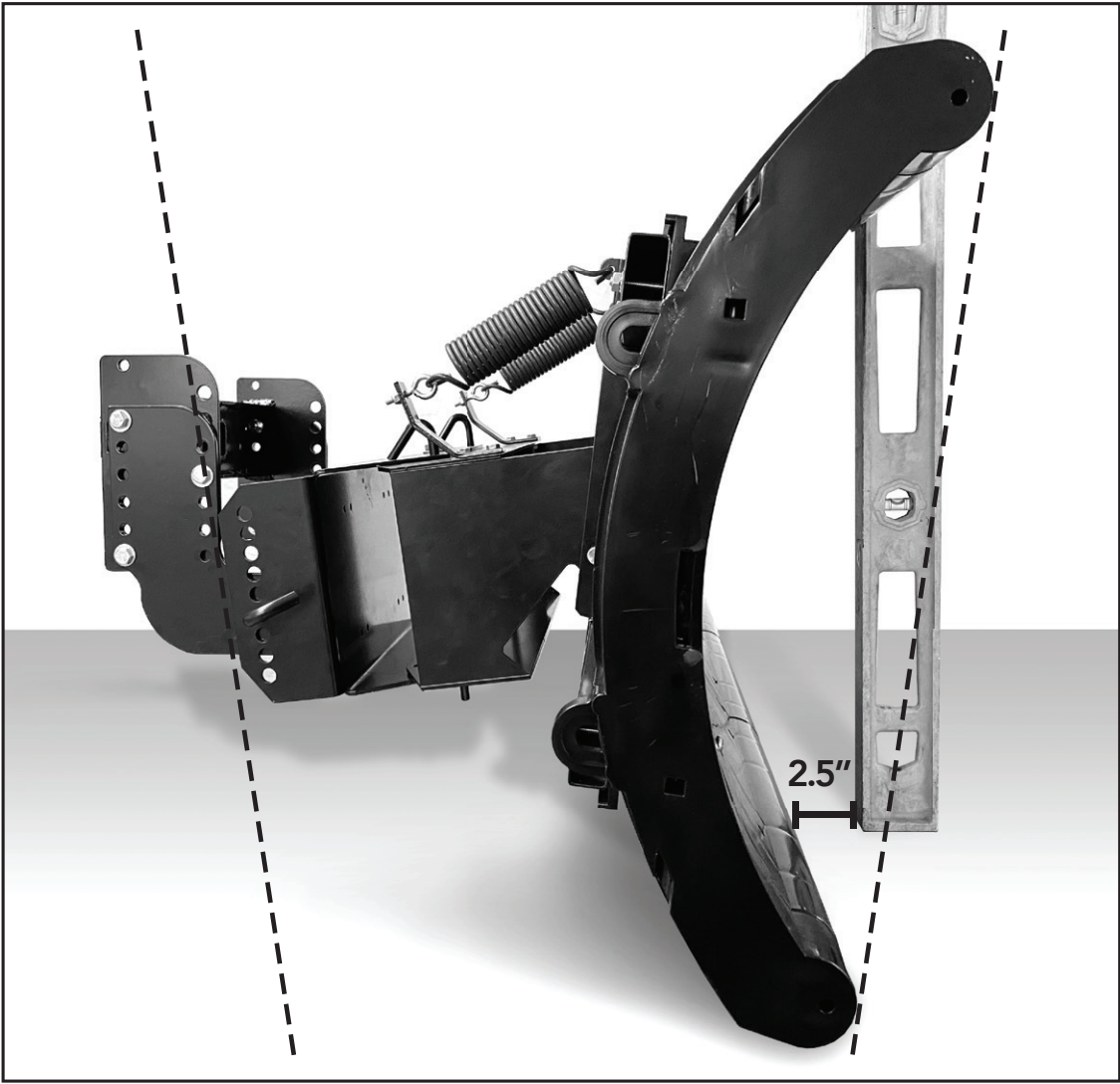
A



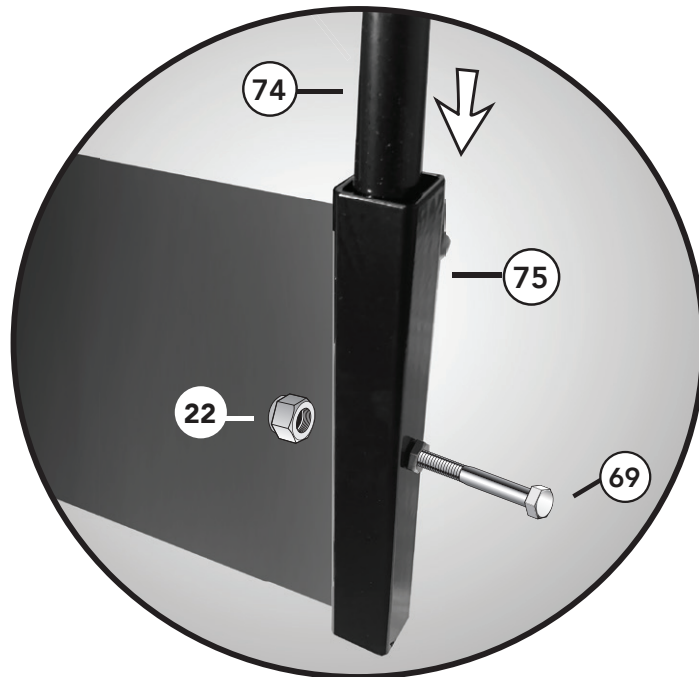
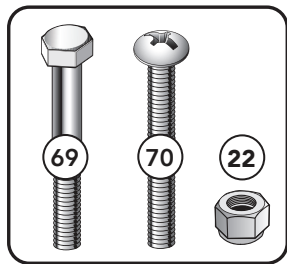
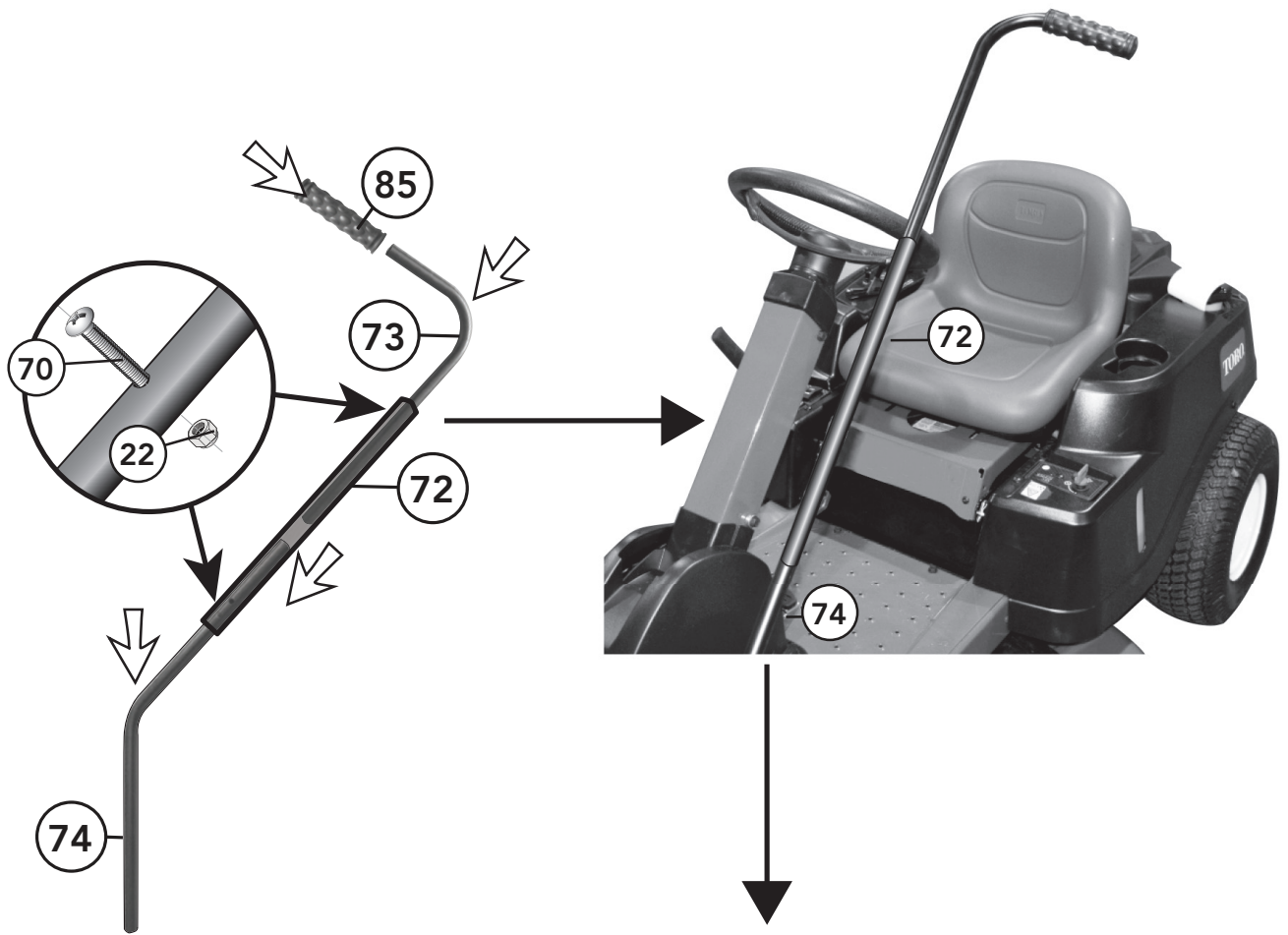
B

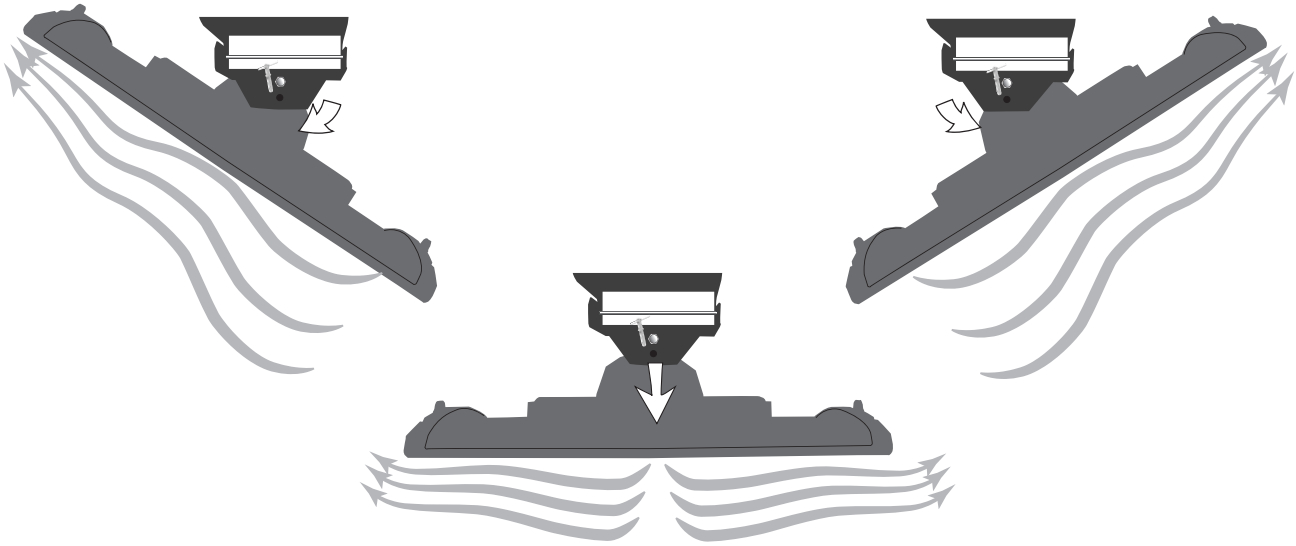






ASSEMBLY
TIPS





These instructions are for the Cub Cadet RZT Mounting Kit and are 2 of 2 packages.
The Plow and its instructions are packaged and shipped separately.



1-888-662-7569 (PLOW) | 771 W. North Avenue, West Chicago, IL 60185 | www.nordicplow.com

© September 2021