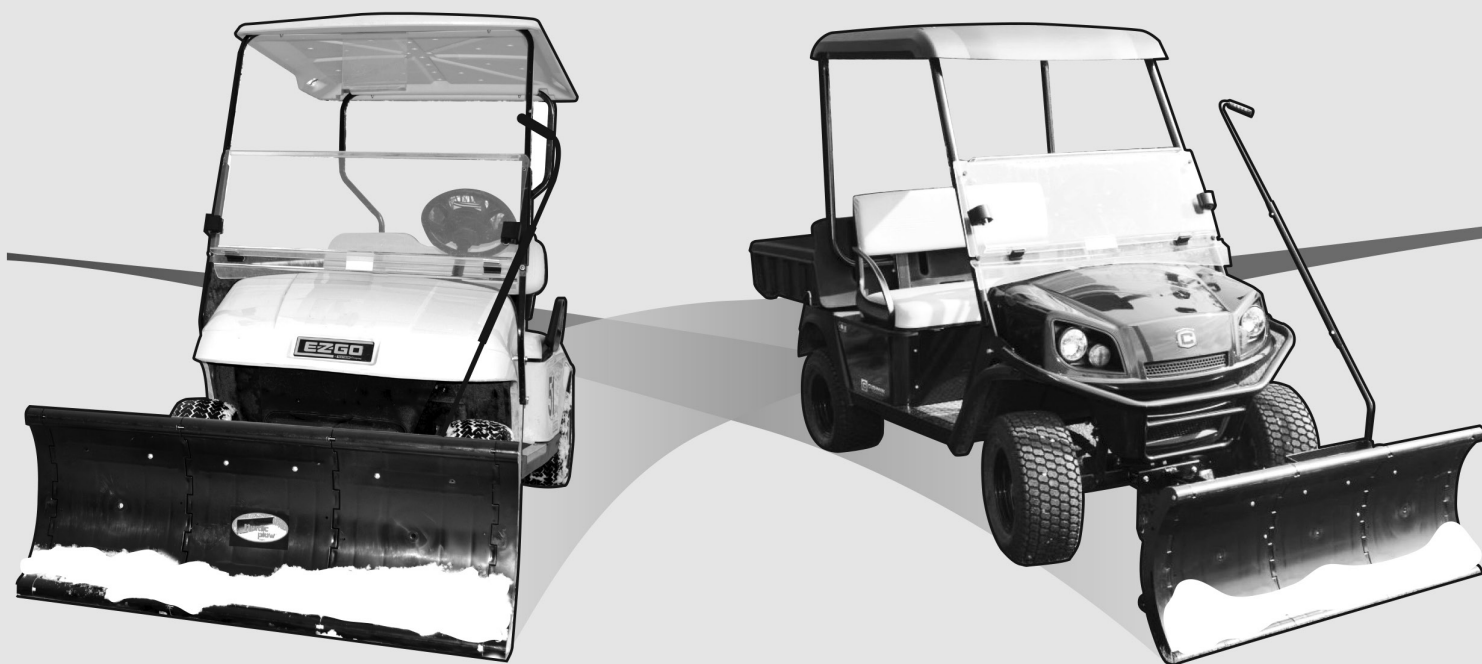




MOUNTING KIT INSTRUCTIONS E-Z-GO® AND CUSHMAN GOLF CARTS

DEVELOPED BY NORDIC PLOW™



ACCOMODATES 4 TYPES OF FRONT AXLES

INSTRUCTIONS FAQs & TIPS

SAFETY

Read and understand the plow instructions, Warranty & FAQ and Tips before use.

Scan the QRC instructional videos on the first page or watch the videos on our website before use: www.nordicplow.com

Always instruct other users before they use the plow.

OPERATION

Risk of Injury:

- Never allow children to handle the plow.
- Never allow anyone to walk beside or sit on the plow when in use.
- ^a **Never operate the plow over 2 to 3 mph. Keep a slow steady speed.**
- If you hit an obstruction, immediately stop the vehicle and reverse direction.

Here are some clarification and tips to help get your Nordic Plow installed correctly.

STEP 1: Assemble parts #56 and #59 as shown. Insert bolt #34 down through receiver (part #56) and through the hole in hitch tongue. Install spacer #39, washer #37 and locknut #38. Hold receiver #56 tight to the frame while tightening locknut #38.

STEP 2-4: The key when installing the hitch receiver #56 on any of the frame designs is to make sure that it is firmly attached.

STEP 5: Boot plates (part #52) are not used on all models. It depends on the height of your machine. The axle (part #46) needs to be 7" to 8" above the ground as shown in step 7. If that can be achieved without using the boot bracket, then go ahead and leave them off.

STEP 6: Handle mount bracket (part #79) installation. The handle mount bracket is angled and can be attached with the angle facing the plow blade or the machine. It can also be mounted on the left or right side per the user's preference.

STEP 7: Top picture shows proper position of spacers (part # 40 and #41) when used with boot plates shown in step 10.. If no boot plates are used, substitute spacers #40 with Spacer # 41 to minimize side to side movement of the Spring Pivot Bracket (part #10).

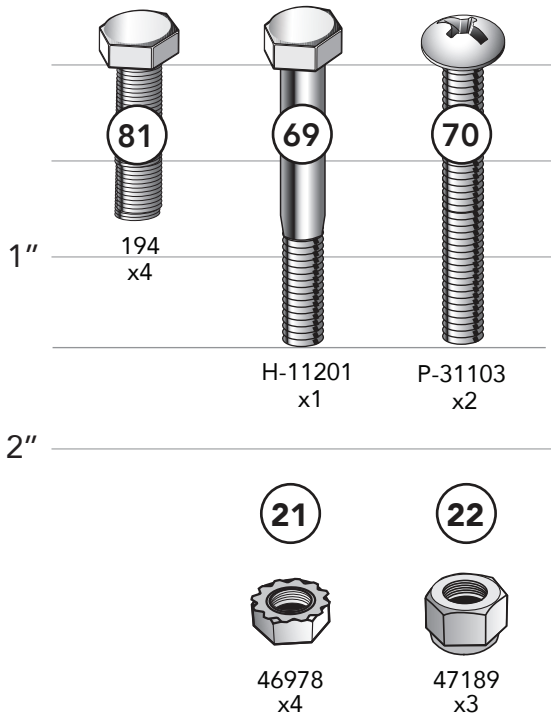
STEP 8: Watch the QR video to best understand how to achieve the optimal blade angle.

1-888-662-7569 (PLOW)

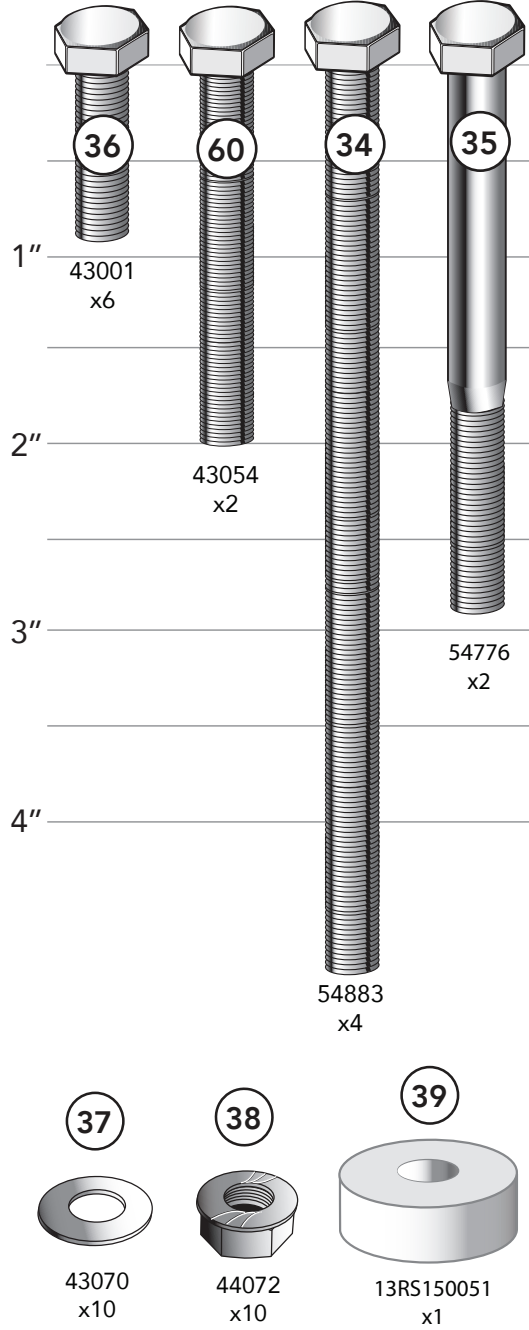
771 W. North Avenue West Chicago, IL 60185

www.nordicplow.com

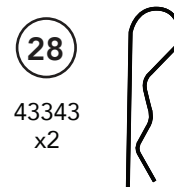
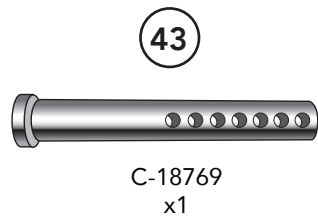
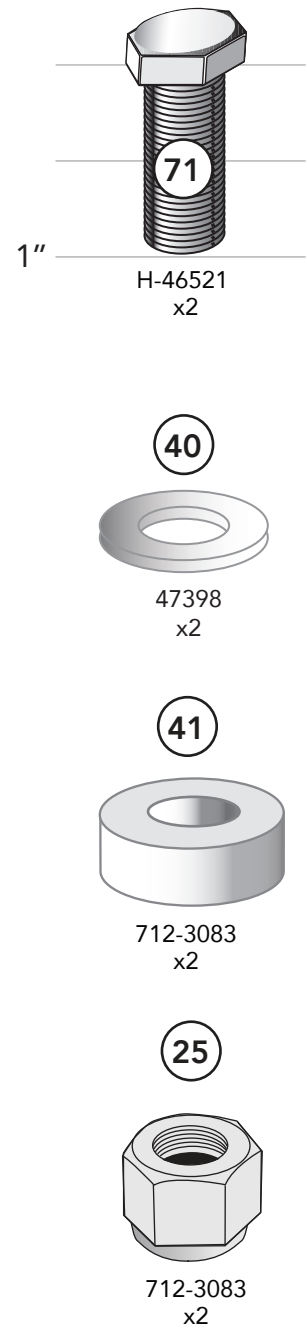
1/4"

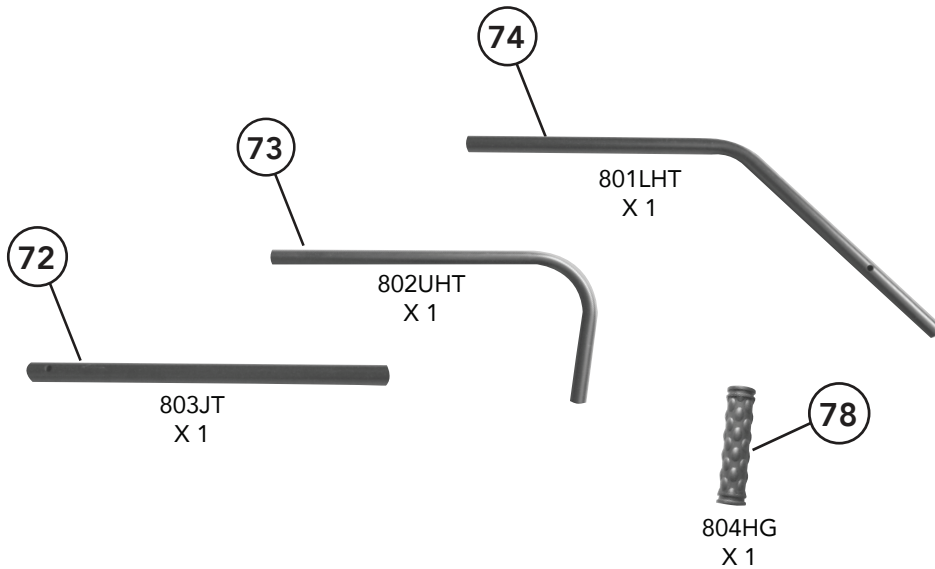
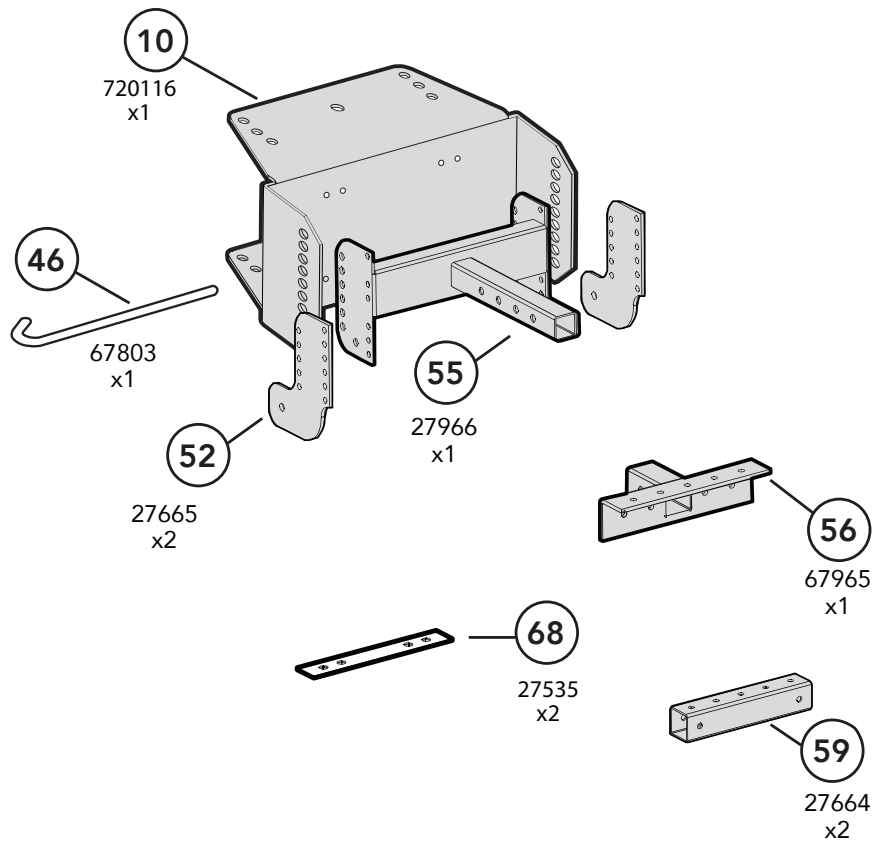


3/8"

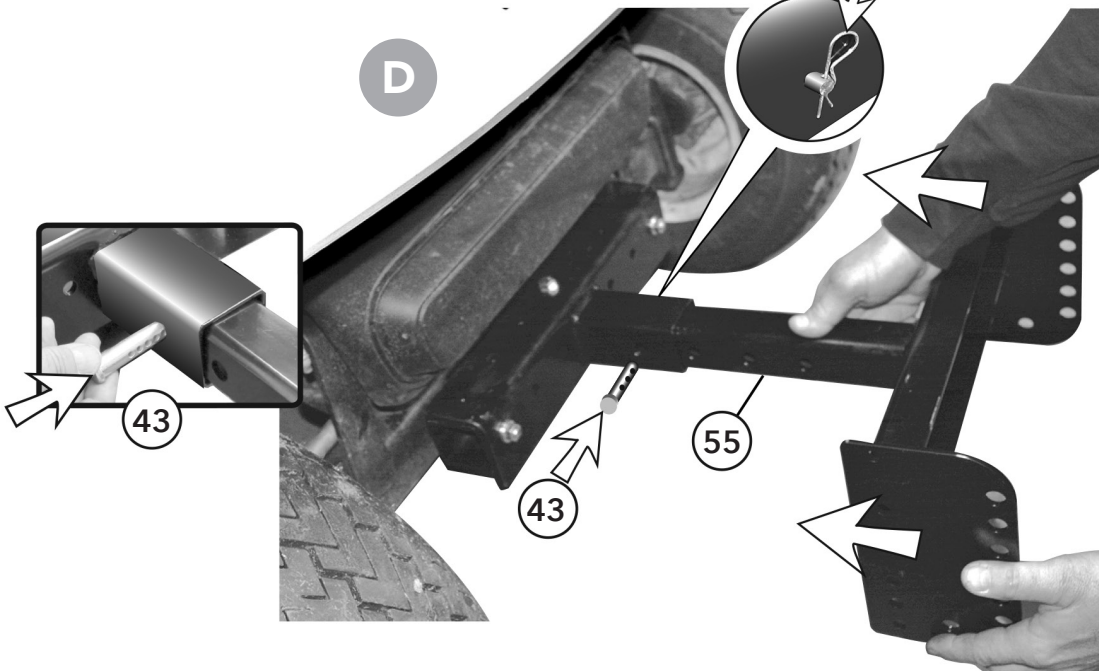
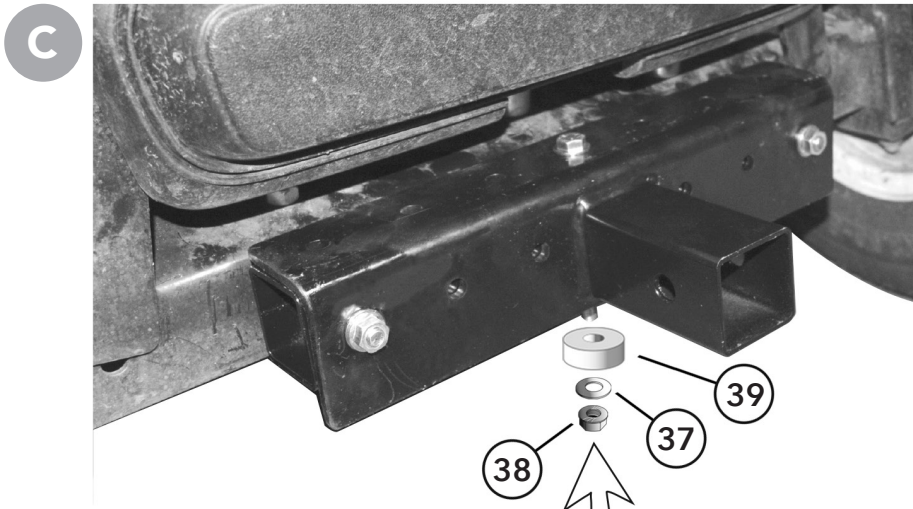
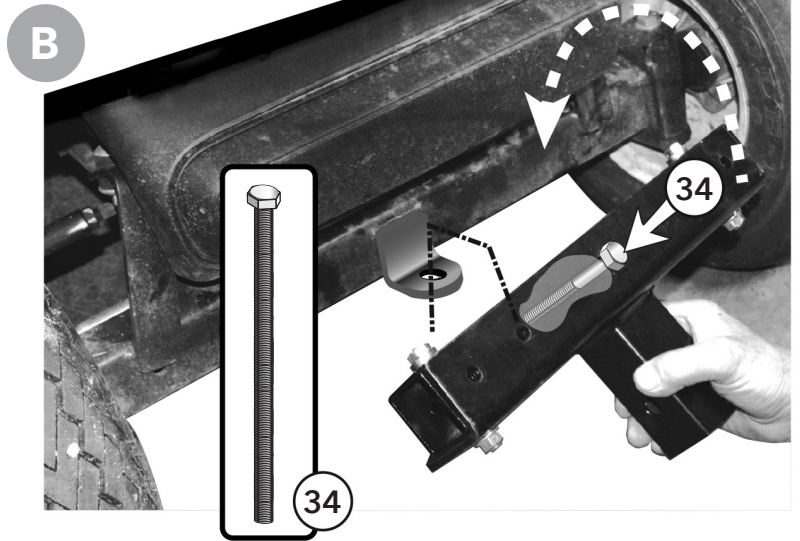
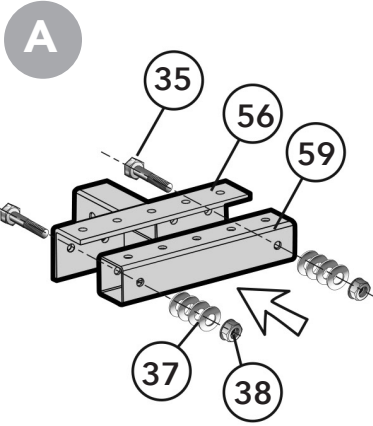


1/2"





1

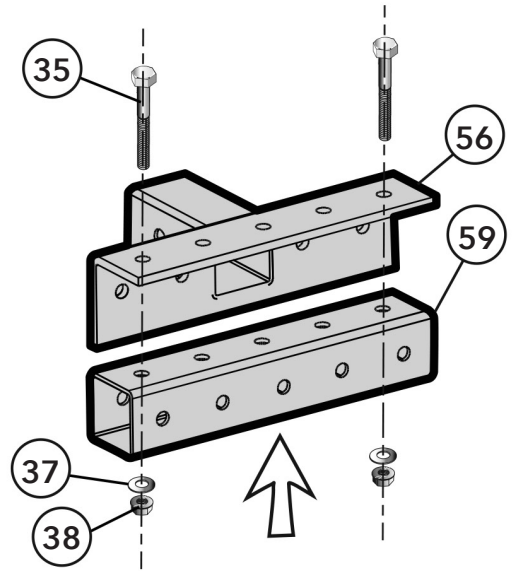


2

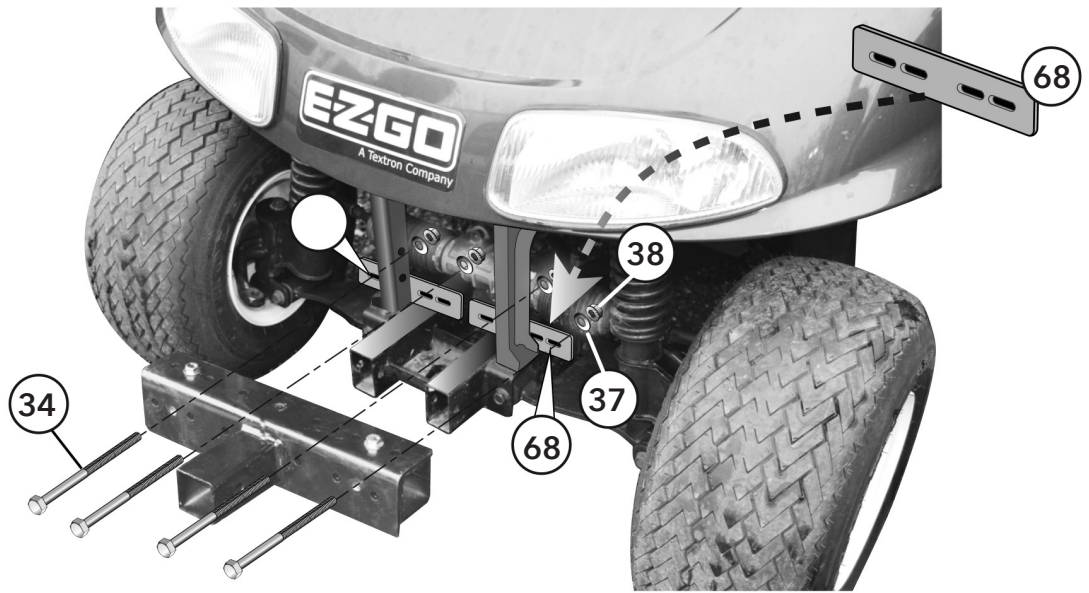
A



B



C

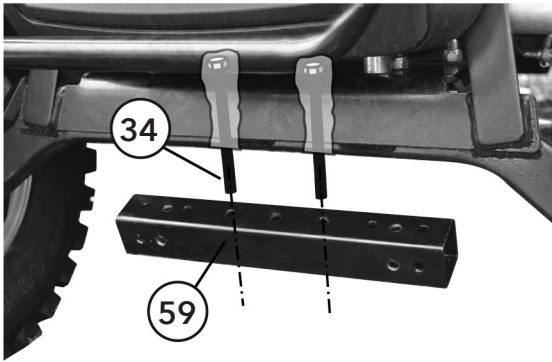


D

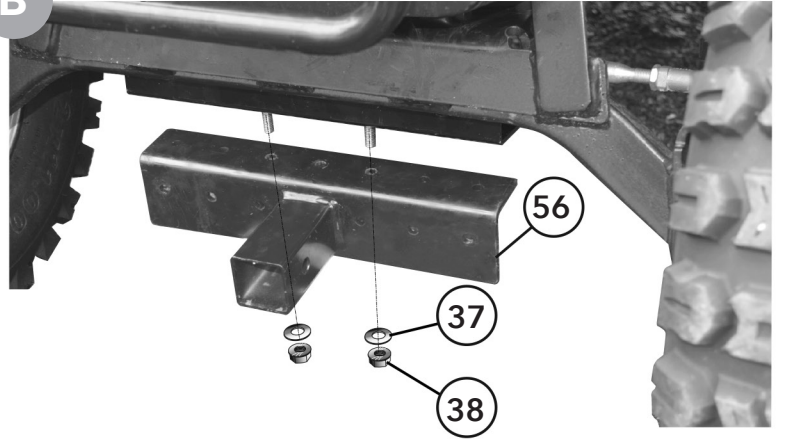


3

A



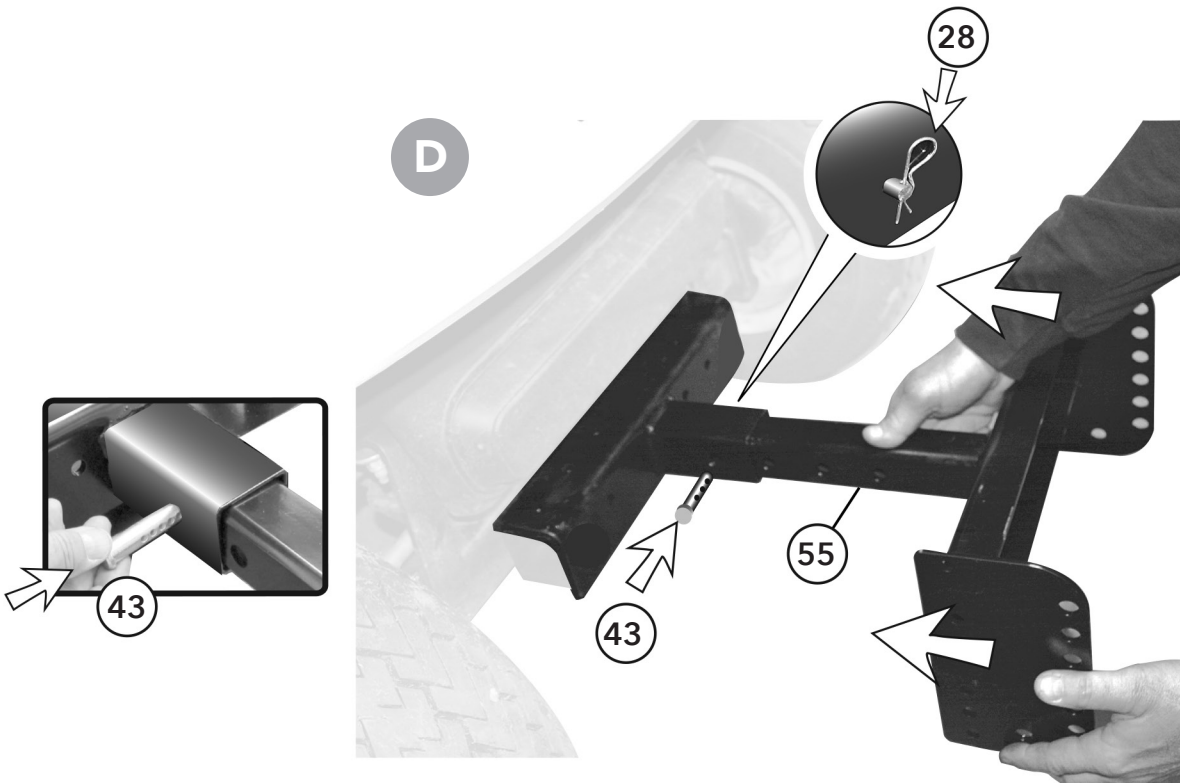
B

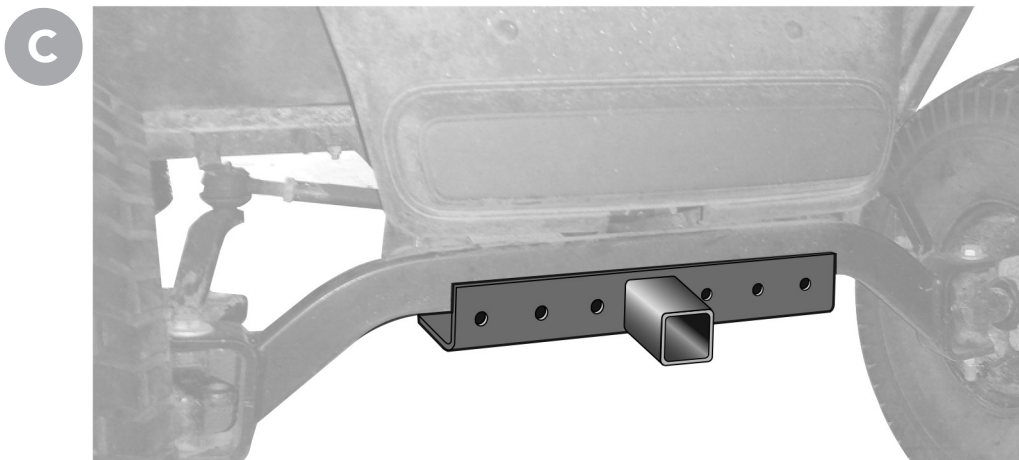
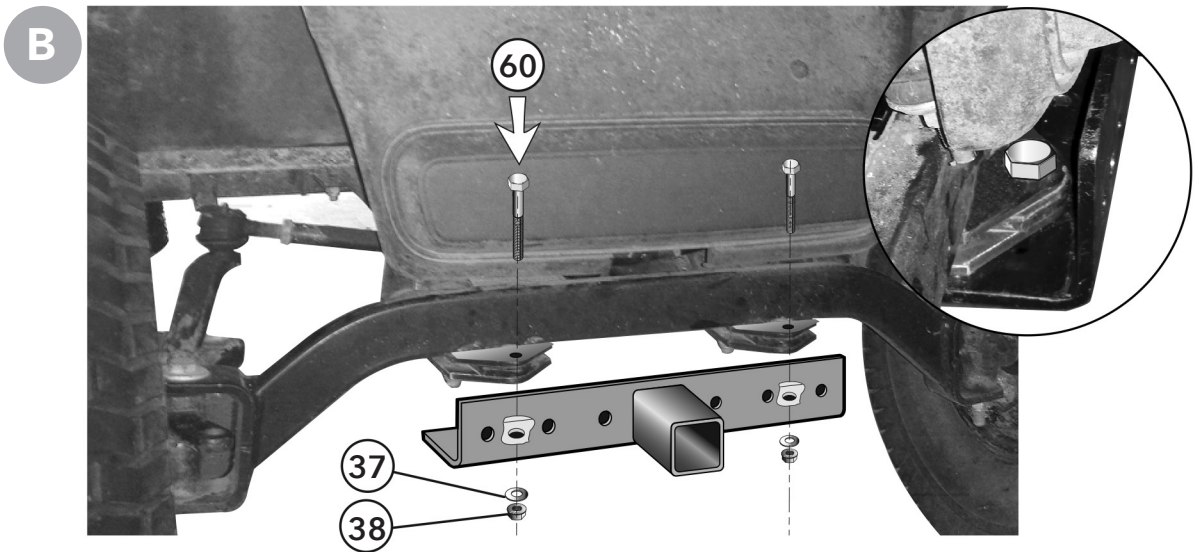
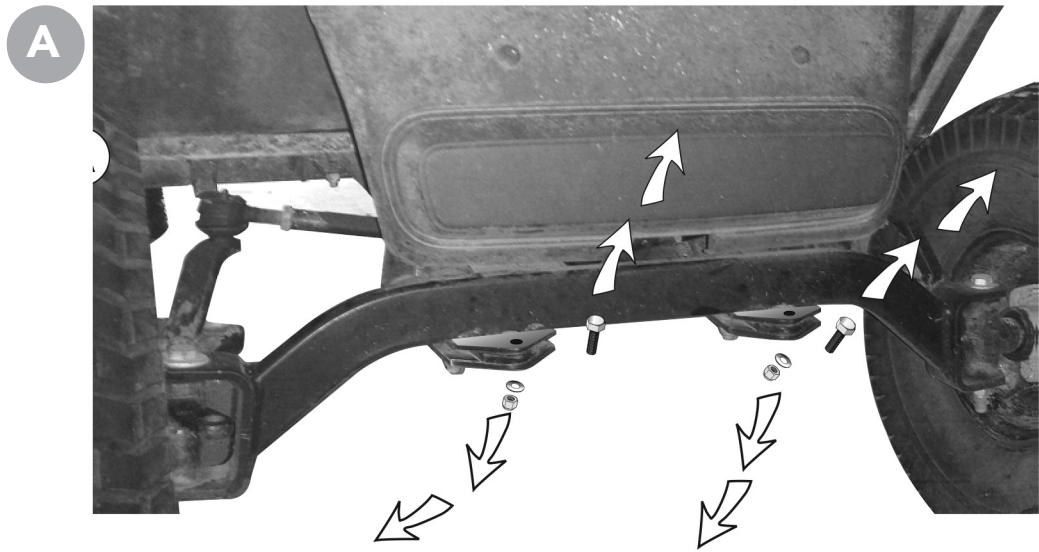


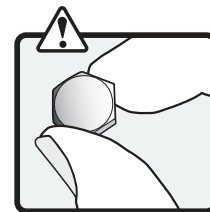
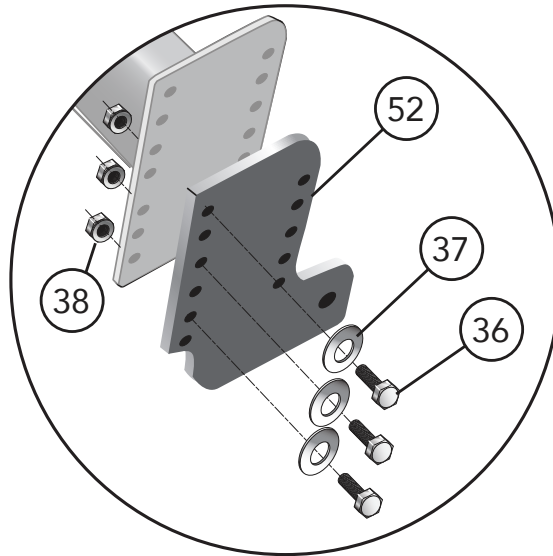
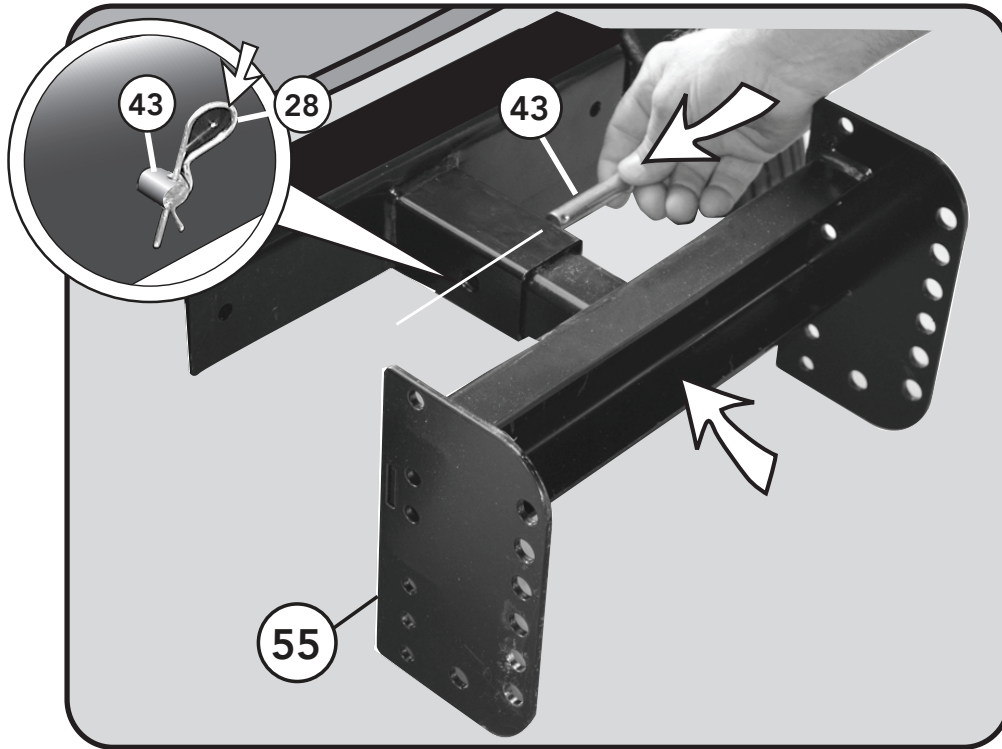
C



D

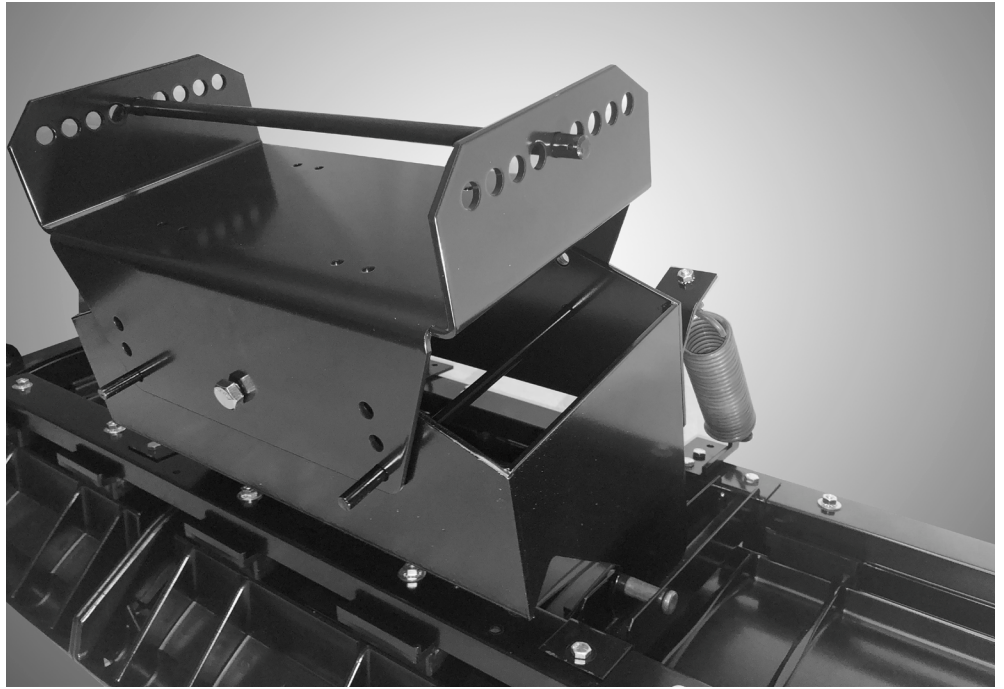




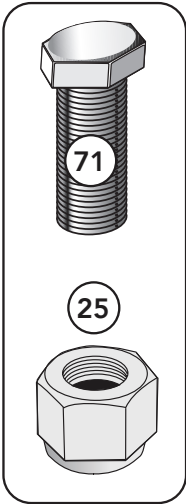


6

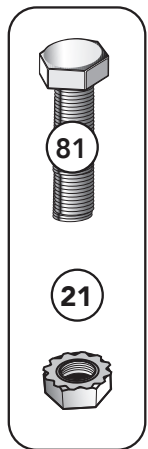
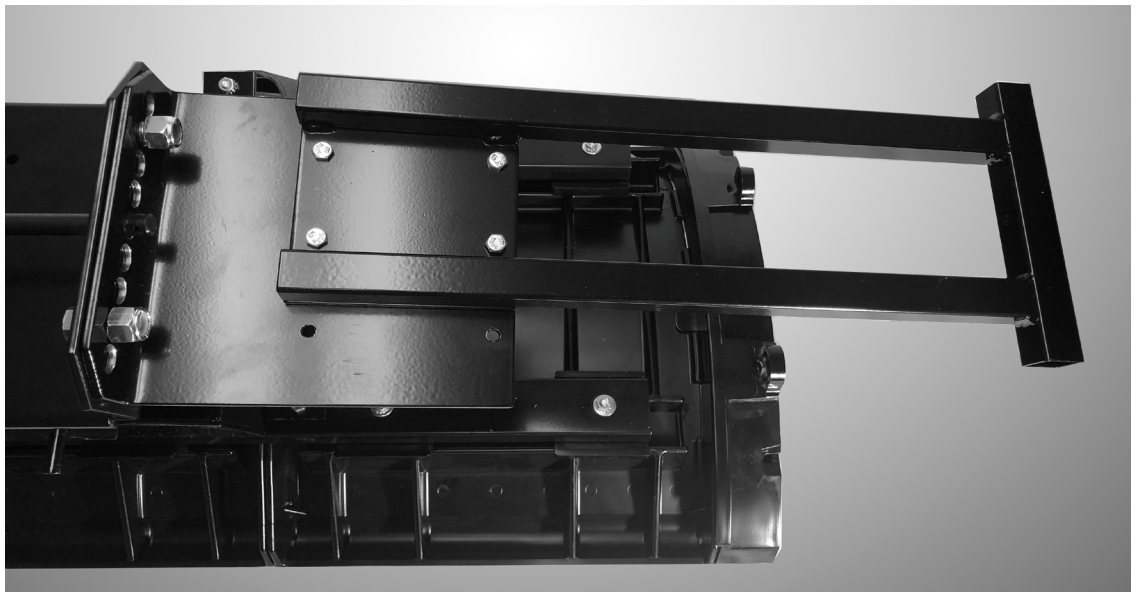
A

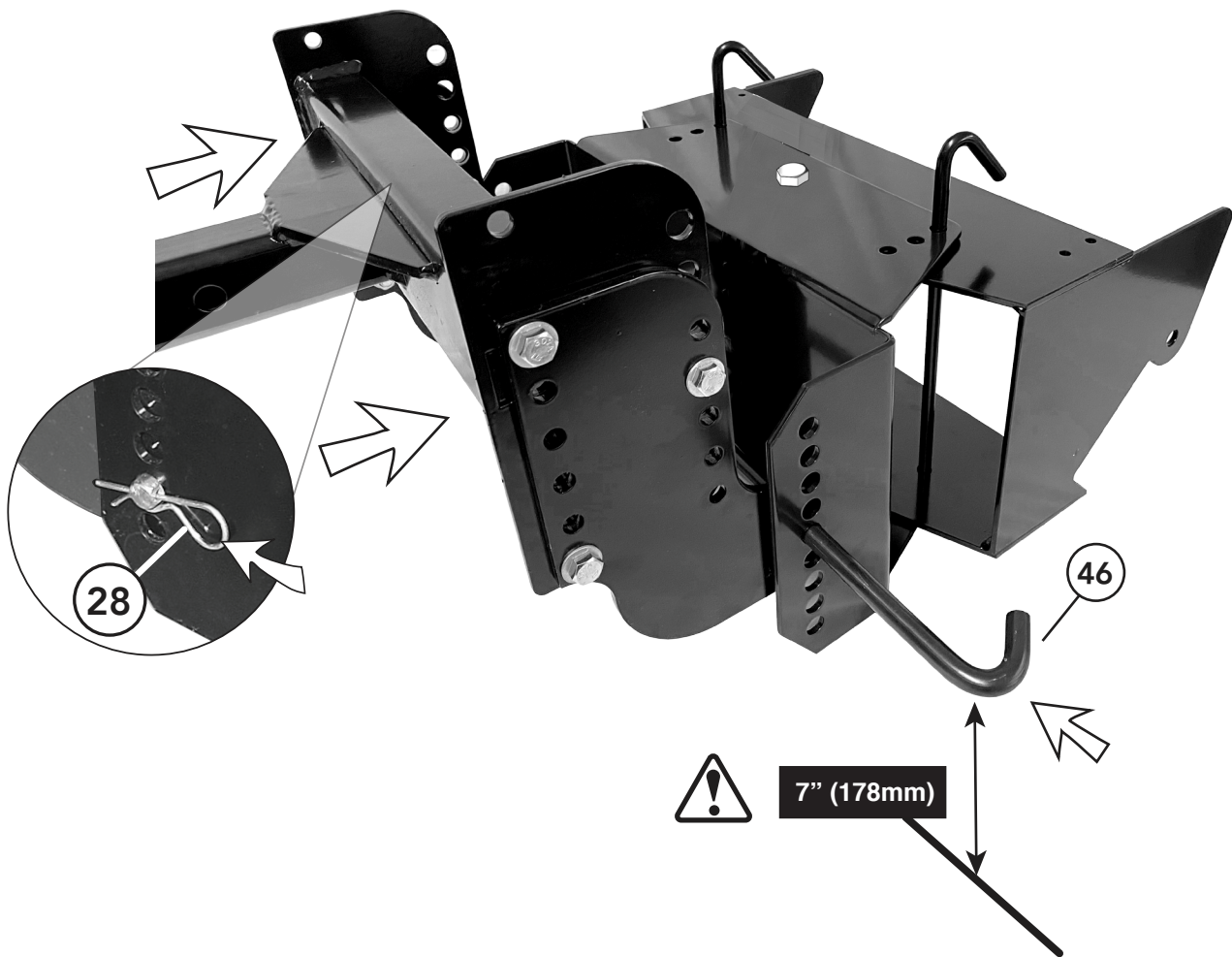
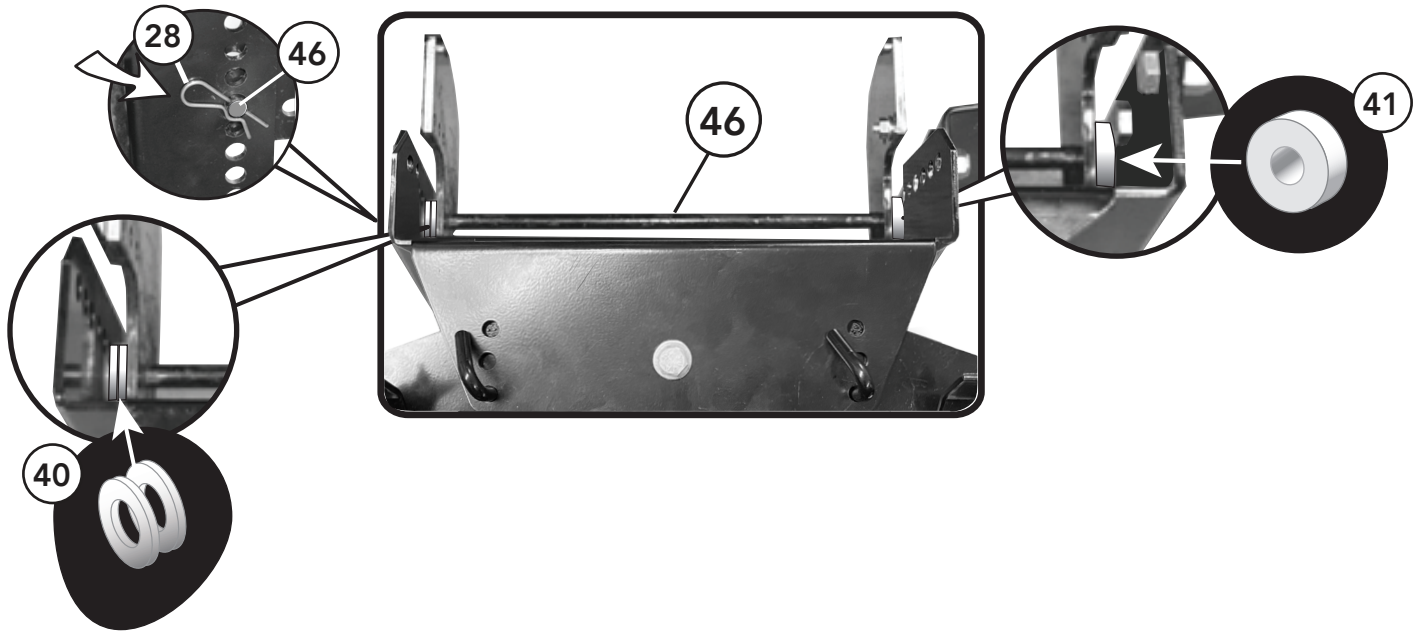


B

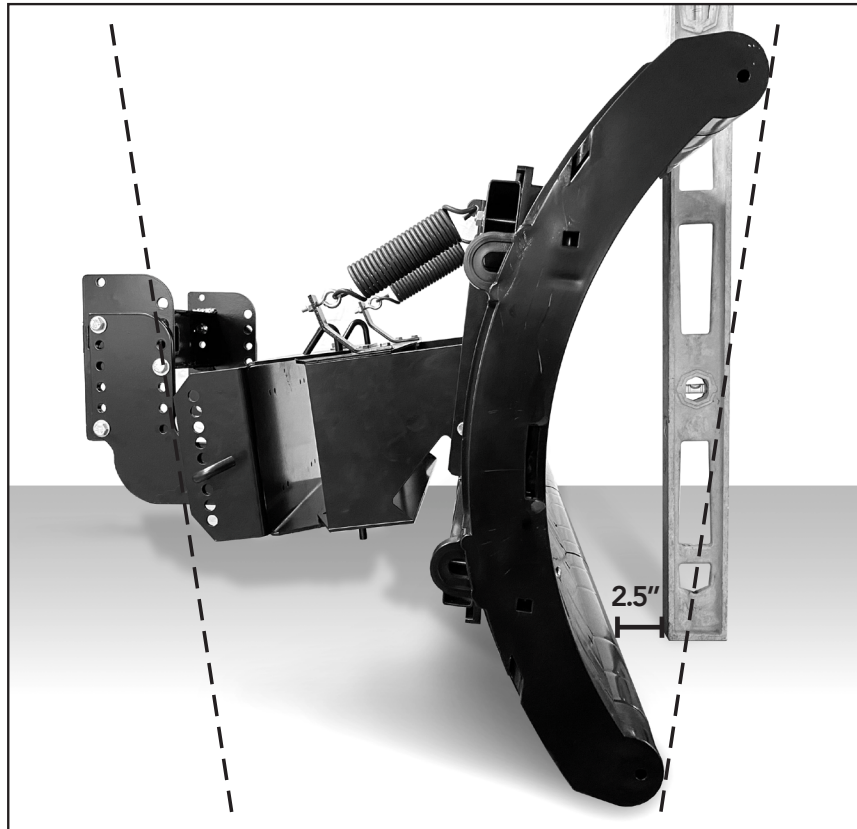


C



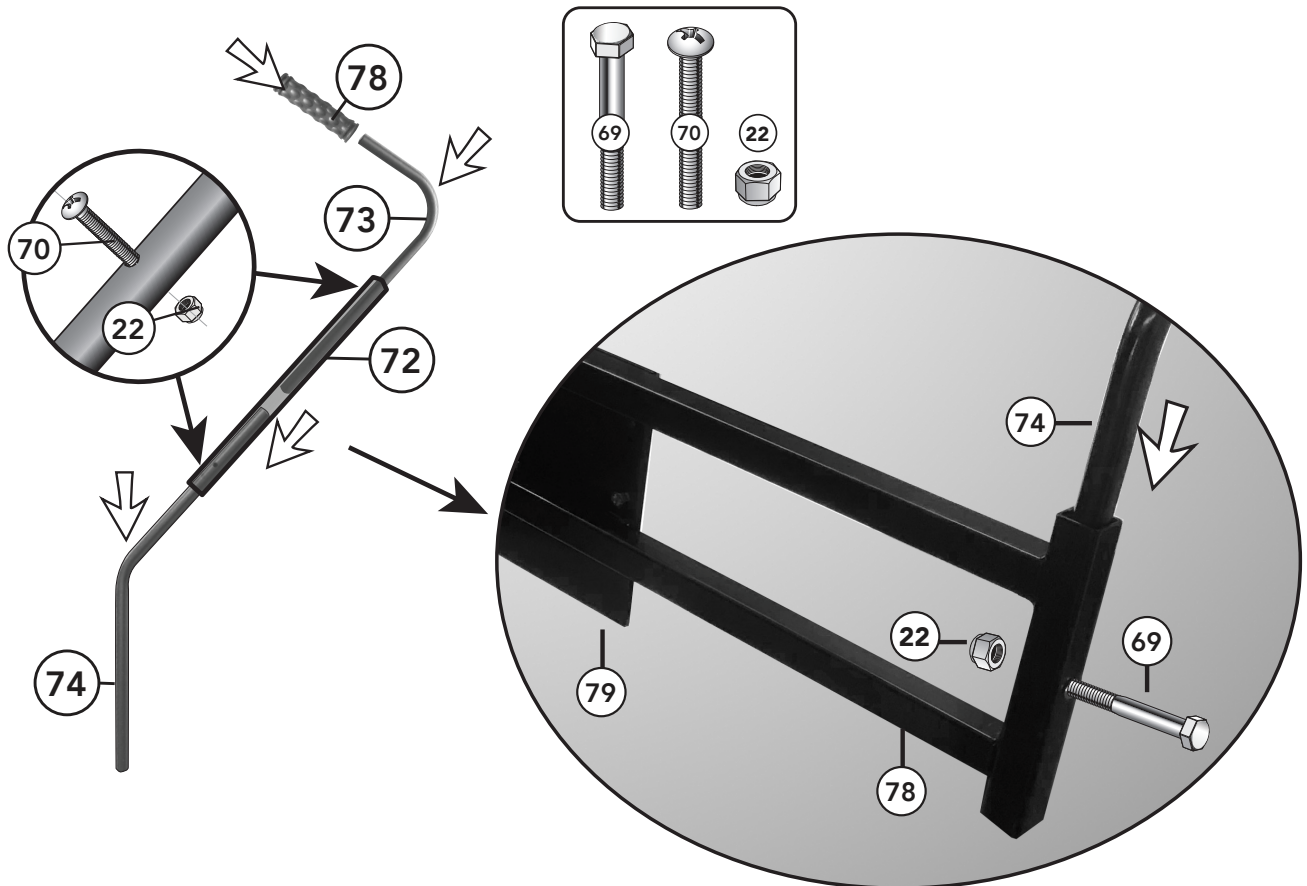


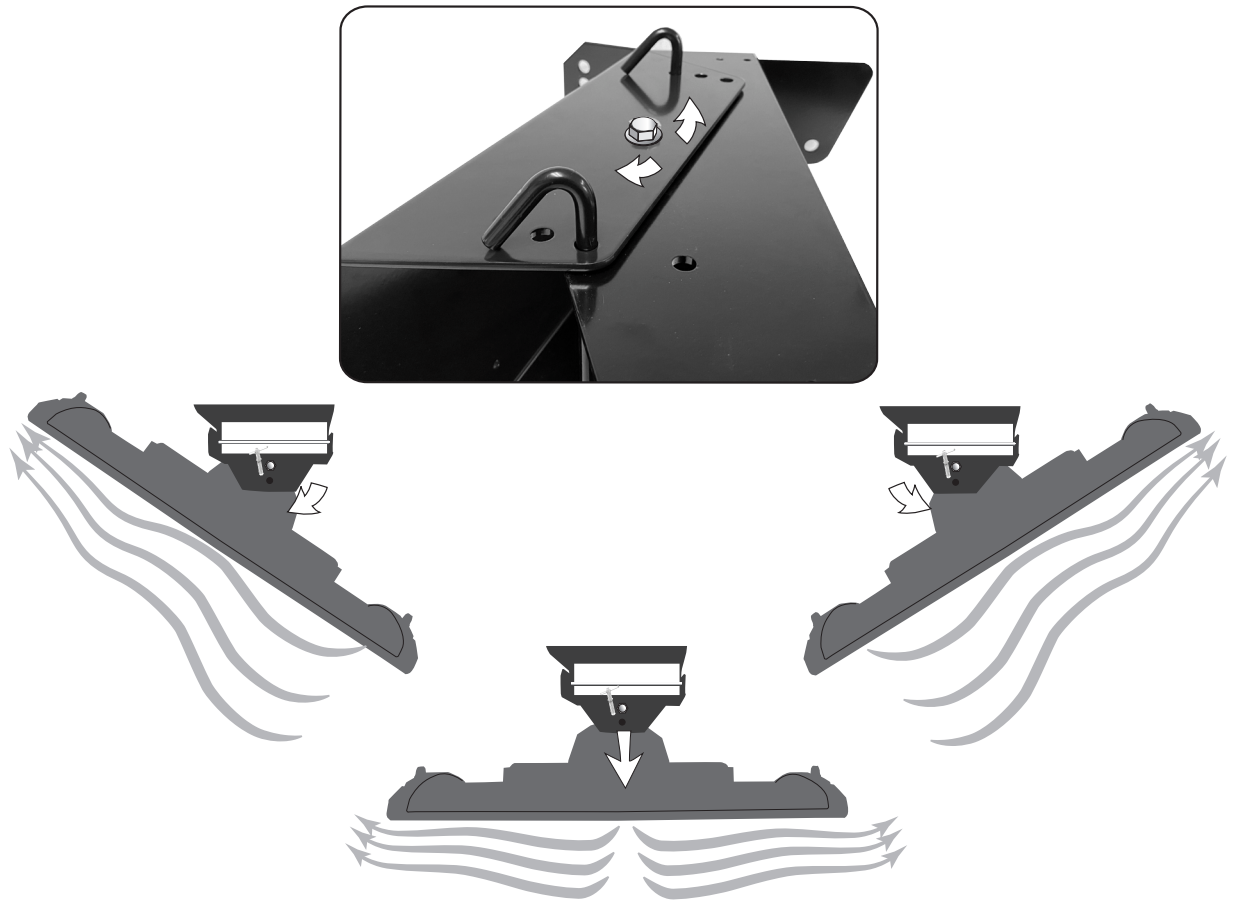
8



ASSEMBLY
TIPS

9





These instructions are for the EZ-Go and Cushman Golf Carts Mounting Kit and are 2 of 2 packages. The Plow and its instructions are packaged and shipped separately.



1-888-662-7569 (PLOW) | 771 W. North Avenue, West Chicago, IL 60185 | www.nordicplow.com

© November 2020