



MOUNTING KIT INSTRUCTIONS

UTV WITH HITCH

DEVELOPED BY NORDIC PLOW™



INSTRUCTIONS FAQs & TIPS

SAFETY

Read and understand the plow instructions, Warranty & FAQ and Tips before use.

Scan the QRC instructional videos on the first page or watch the videos on our website before use: www.nordicplow.com

Always instruct other users before they use the plow.

OPERATION

Risk of Injury:

- Never allow children to handle the plow.
- Never allow anyone to walk beside or sit on the plow when in use.
- ^a **Never operate the plow over 2 to 3 mph. Keep a slow steady speed.**
- If you hit an obstruction, immediately stop the vehicle and reverse direction.

Here are some clarification and tips to help get your Nordic Plow installed correctly.

STEP 1&2: The stem of our hitch (part #55) is 1-7/8". The adapter sleeve (part #82) converts the hitch to 2". slide the hitch into your machine. Attach the boot plates (part #52). There are multiple holes in the boot plates that allow the height of the axle (part #46) to be adjusted. The axle holes in the bottom of the boot plates need to be 7" - 8" above the ground (see bottom pic in Step 4). Tighten the boot plates onto the hitch.

STEP 3: The plow comes with a lift handle for raising and lowering the blade. If your machine has a winch, you have the option to use it rather than the lift handle.

Handle Mount Bracket (part #79) installation:

Note: The handle mount bracket is angled and can be attached with the angle facing the plow blade or your machine. It can also be attached to the left or right side of the spring pivot bracket (part #10) per the user's preference.

- A. Install the axle (part #46) through any set of holes in the spring pivot bracket to use as a guide when attaching the Handle Mount Bracket.
- B. Attach the handle mount bracket making sure none of the holes interfere with the axle.
- C. Attach handle extension bracket (part #78) to the handle mount bracket. There are 2 sets of holes in the handle mount bracket to choose from.

STEP 4: Install spacers (parts #40 and #41) onto the axle in the positions shown.

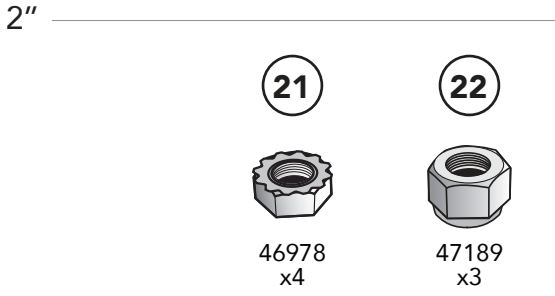
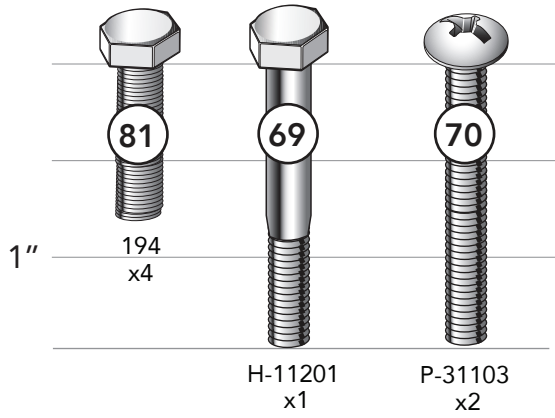
STEP 5: It is preferable to watch the QR Code Video for tips on how to achieve the optimal pitch for the blade.

1-888-662-7569 (PLOW)

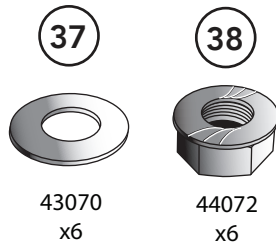
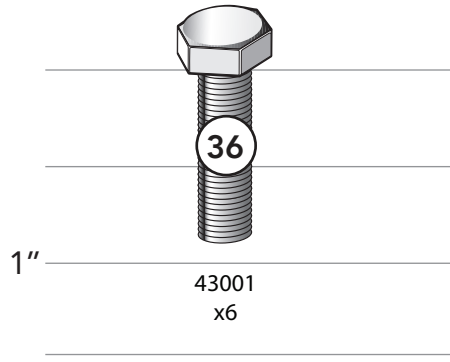
771 W. North Avenue West Chicago, IL 60185

www.nordicplow.com

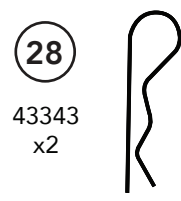
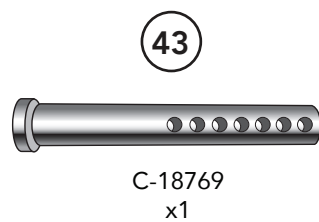
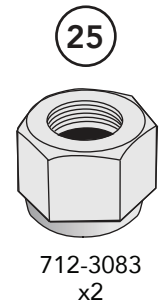
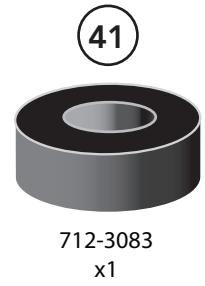
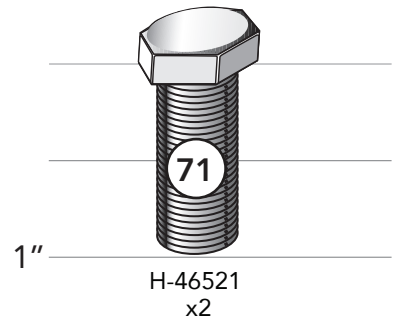
1/4"

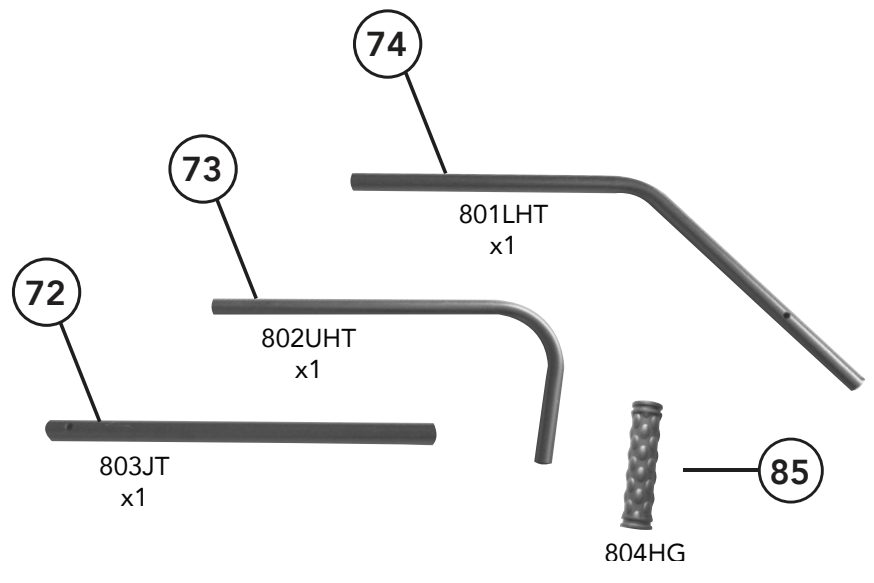
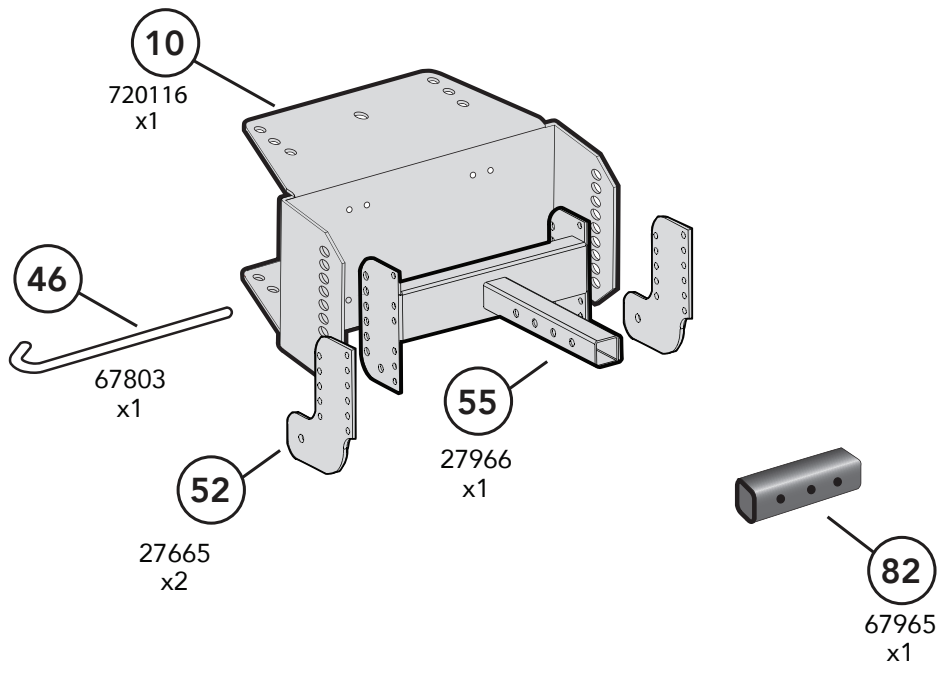


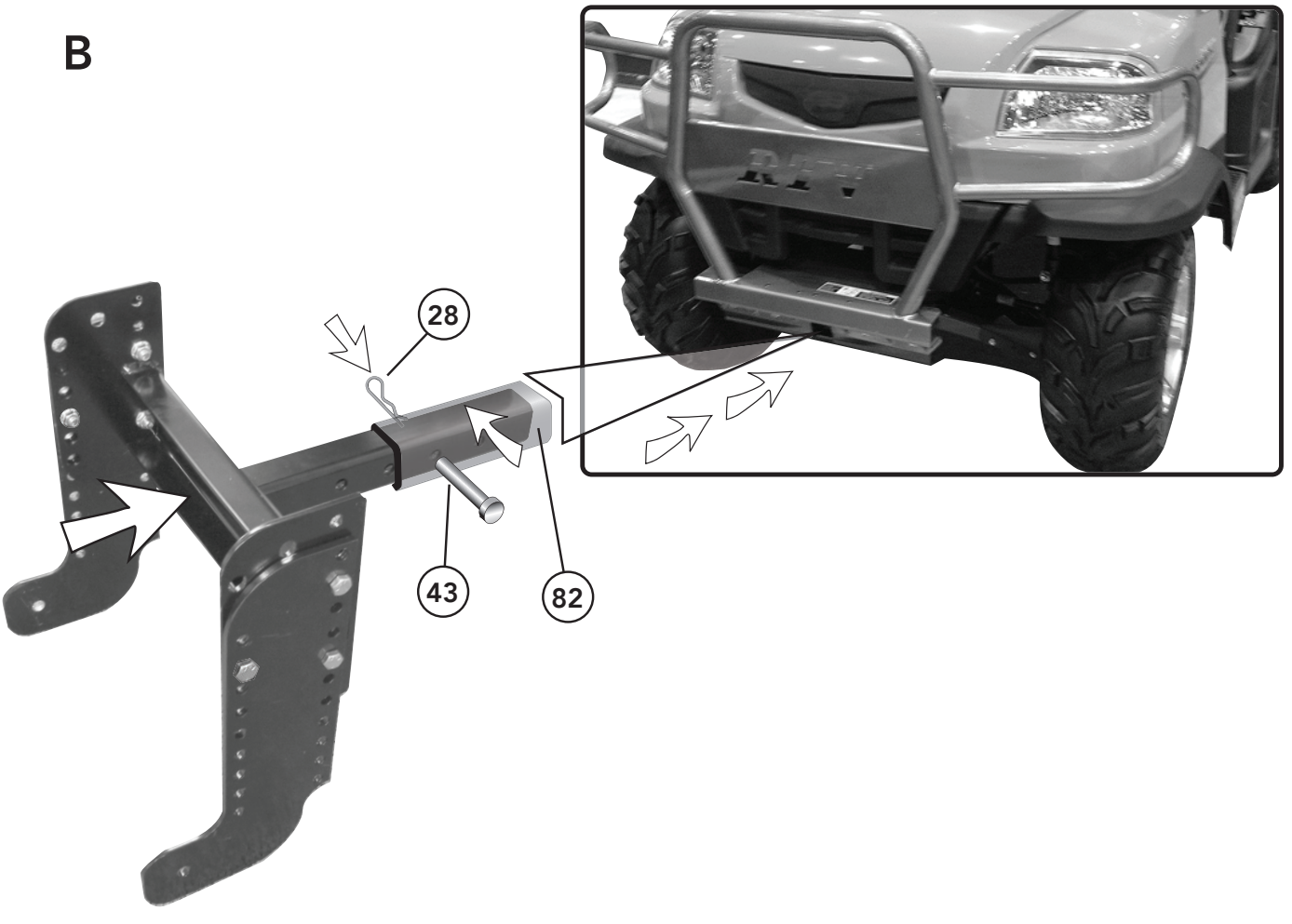
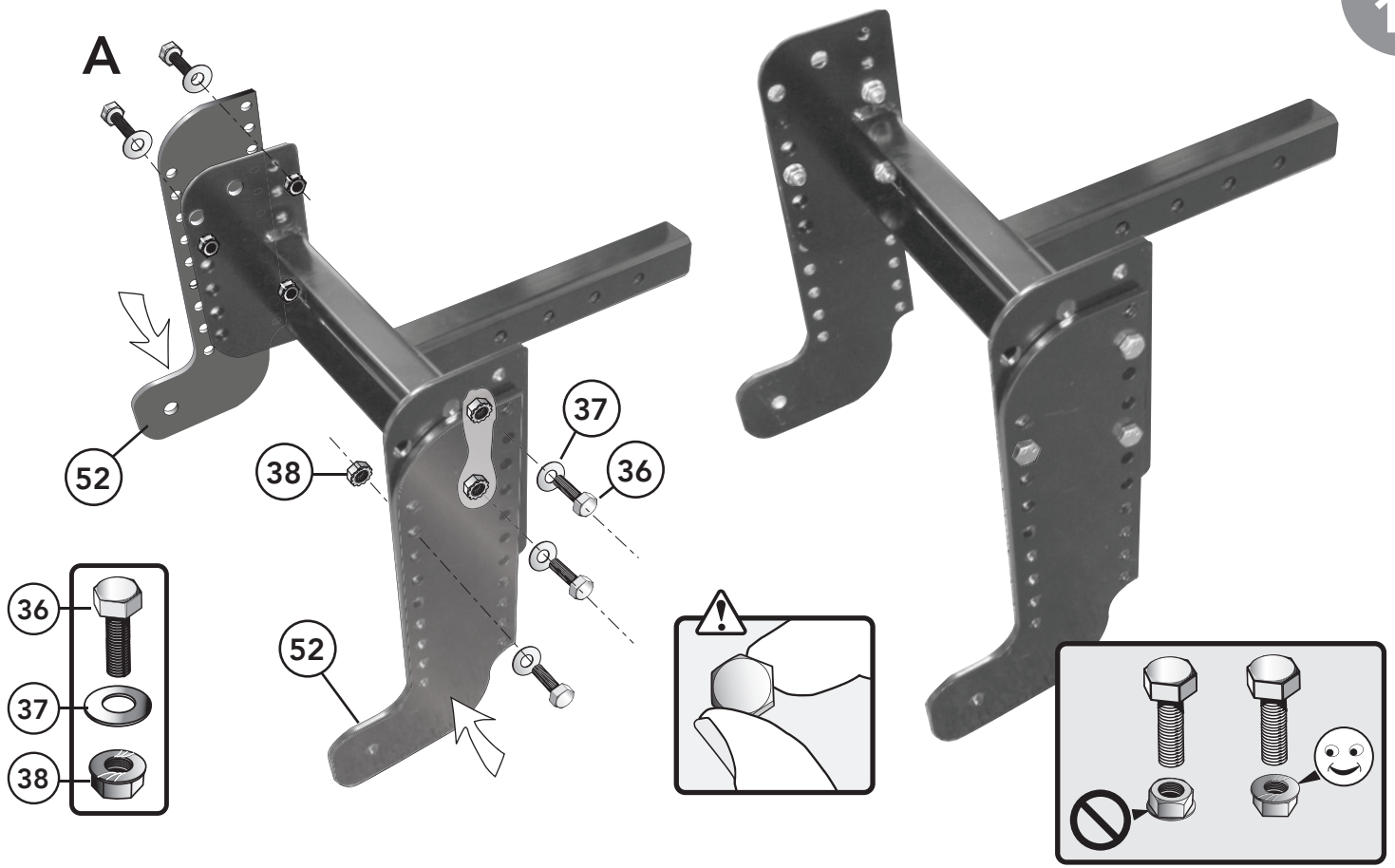
3/8"



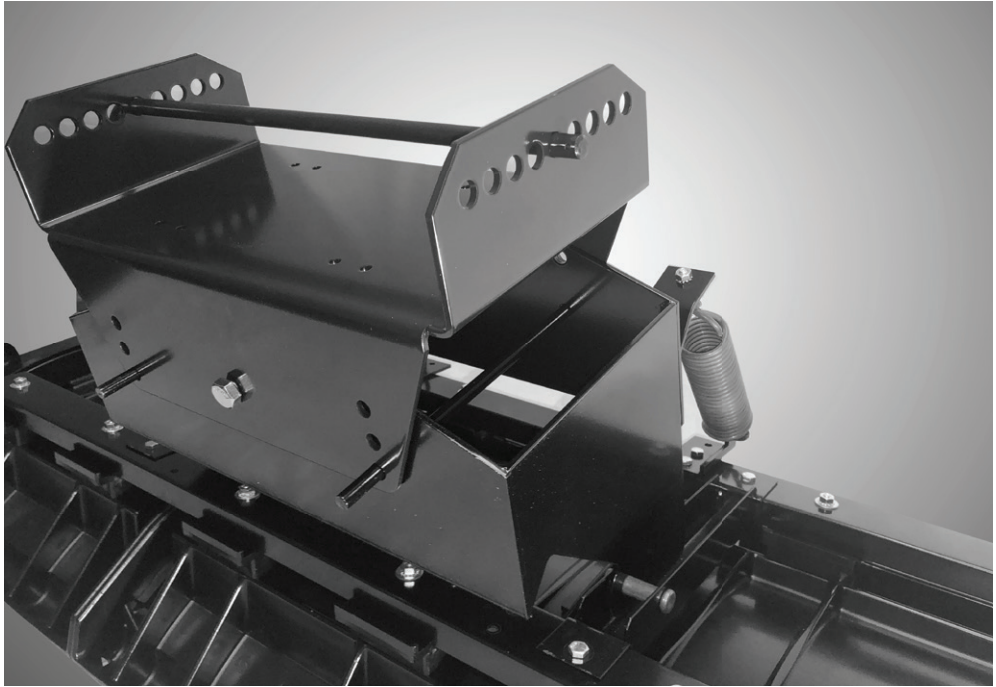
1/2"



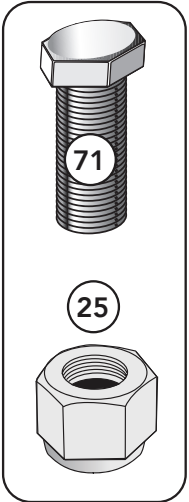
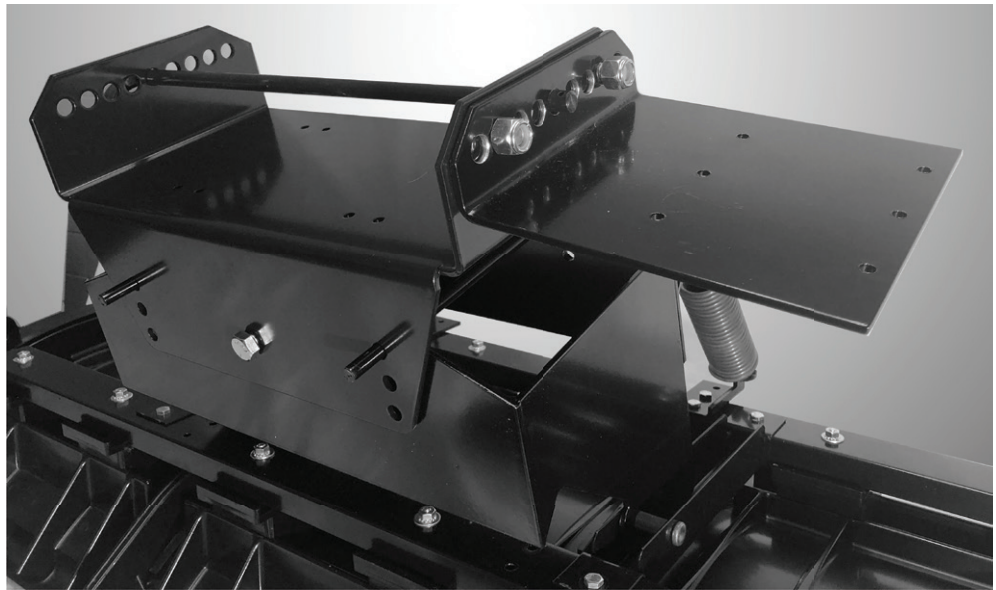




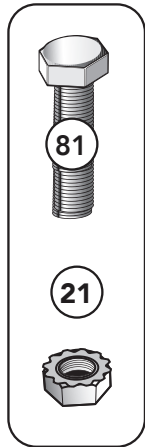
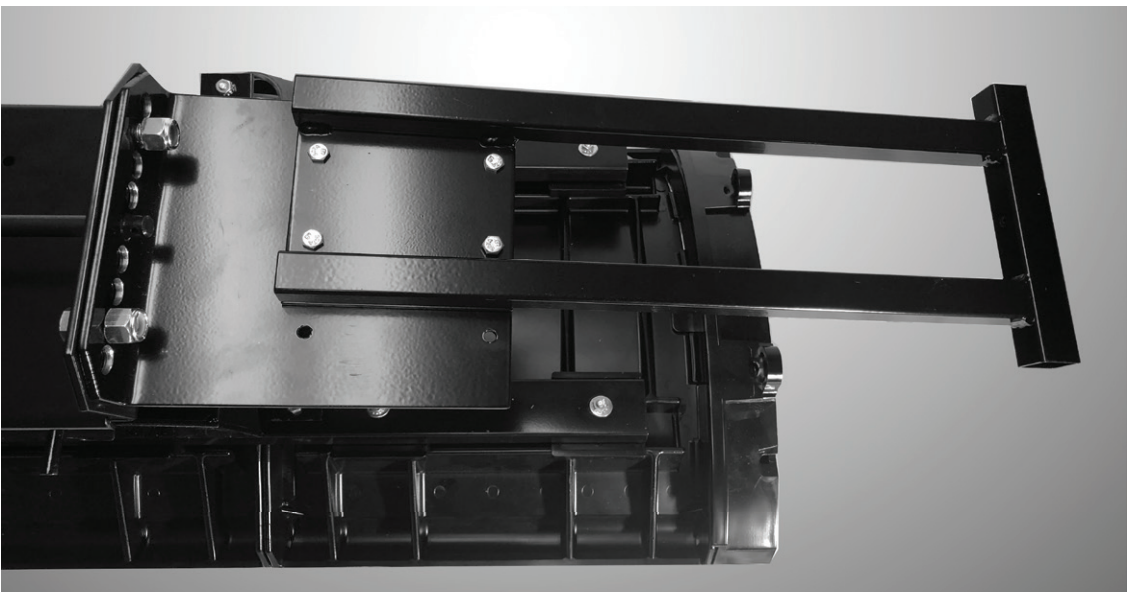
A

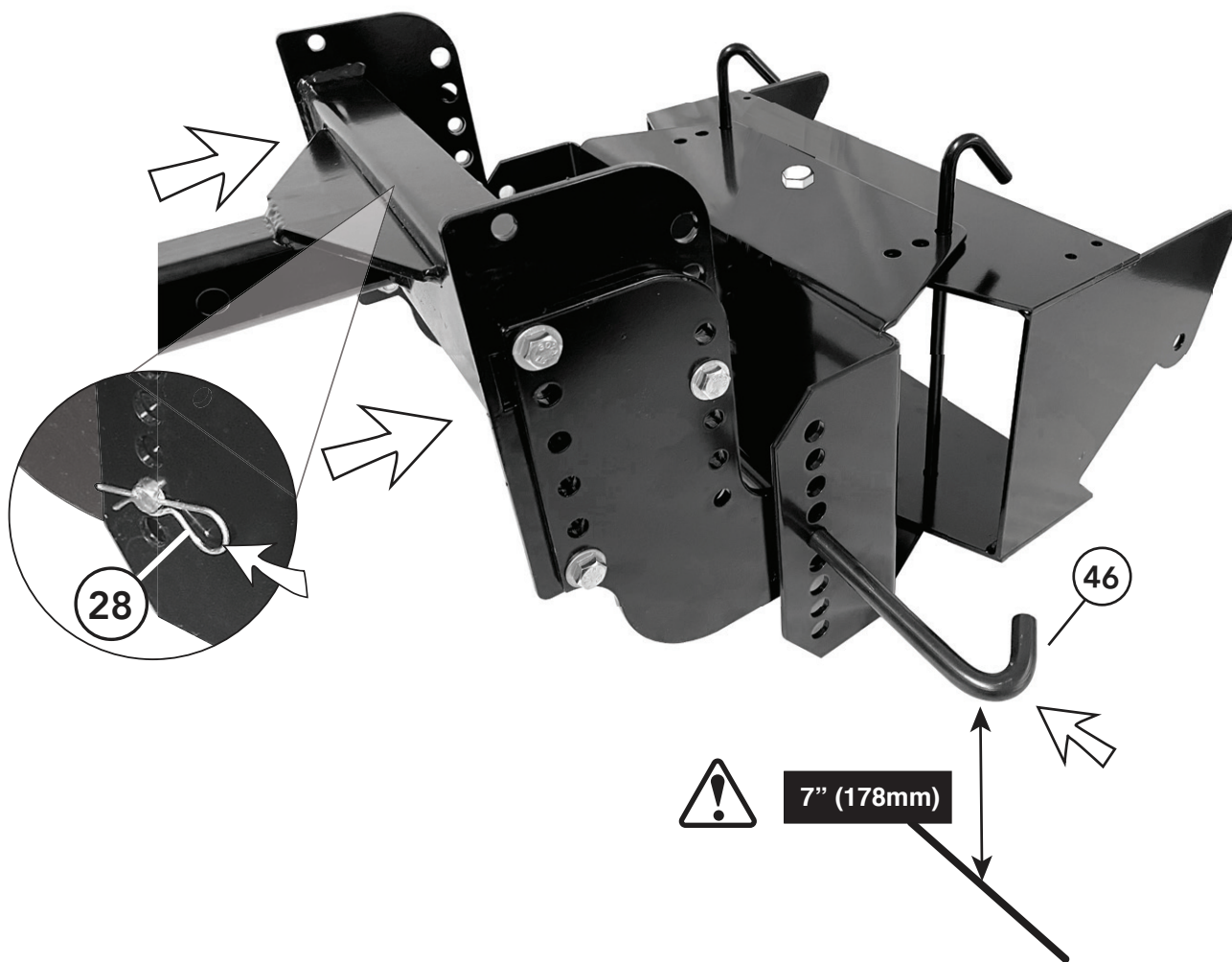
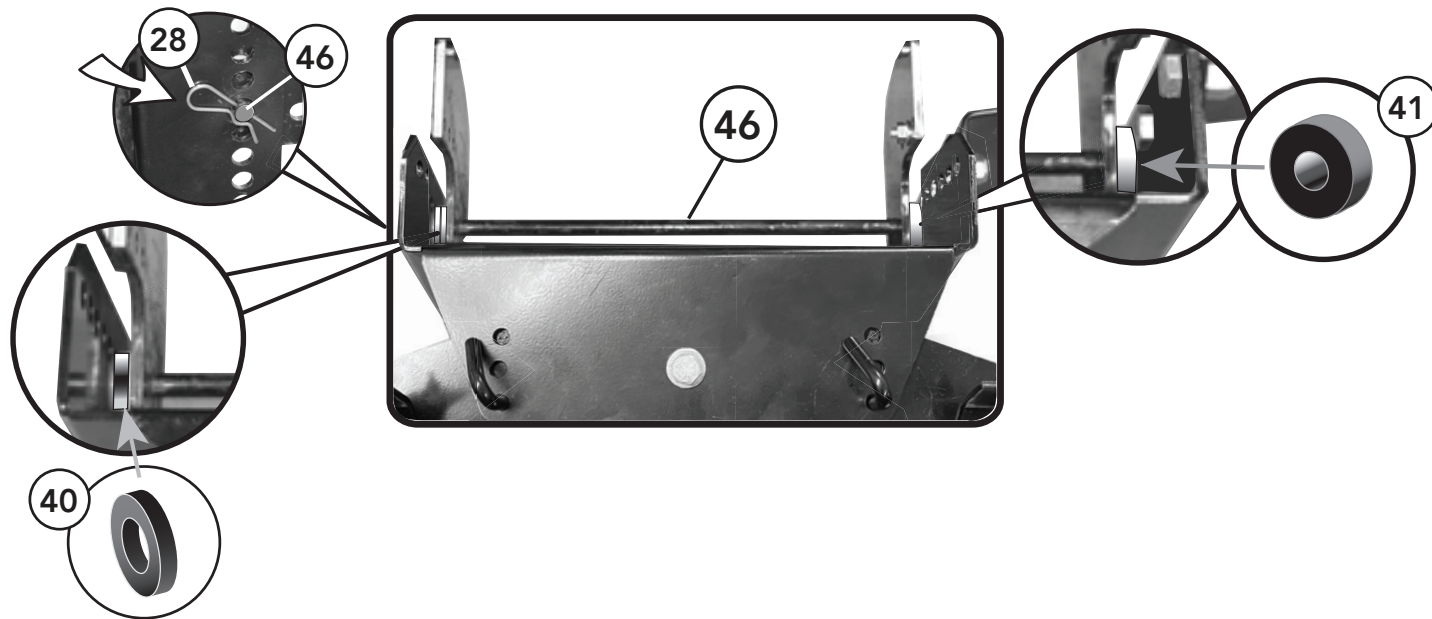


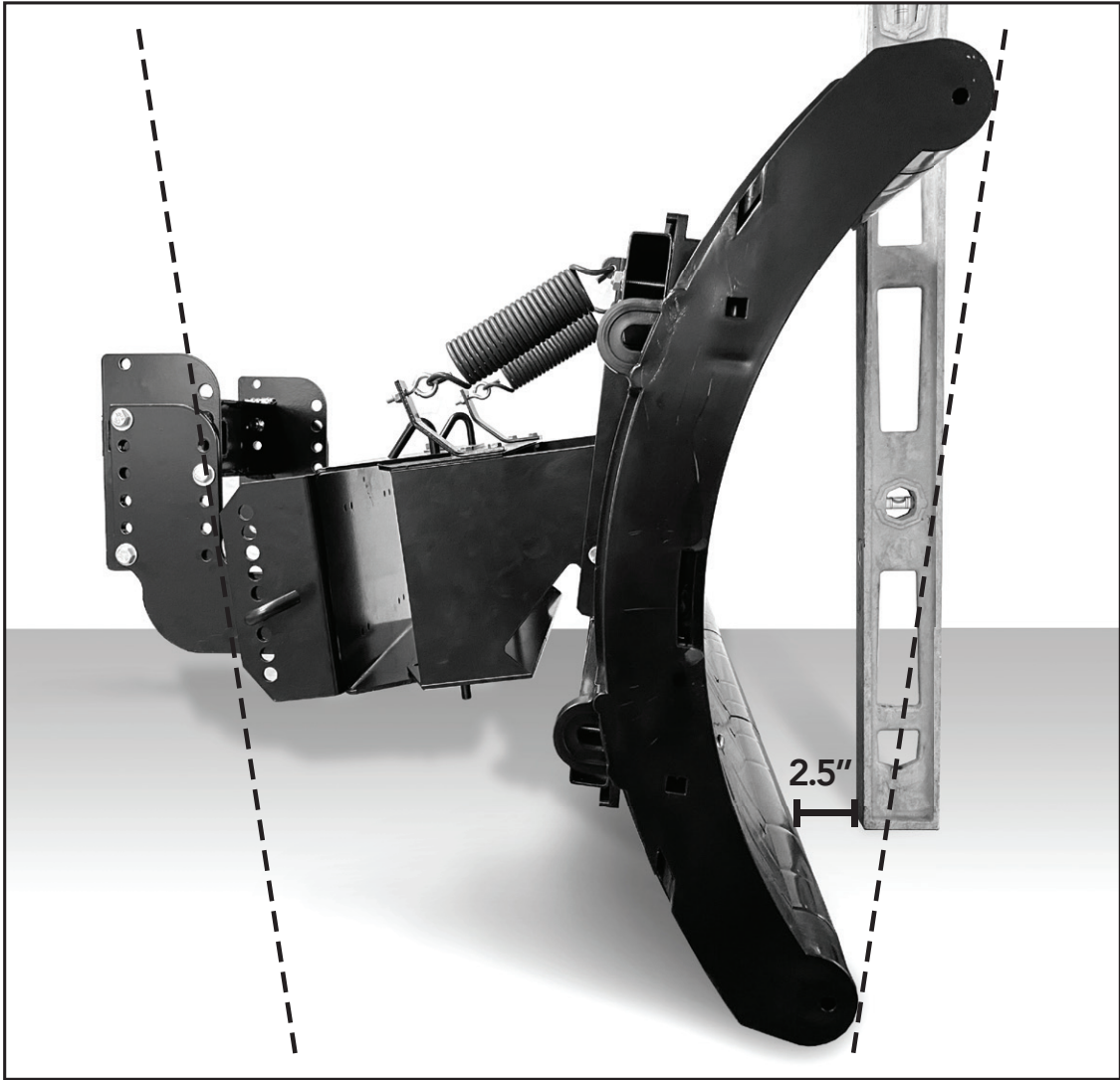
B



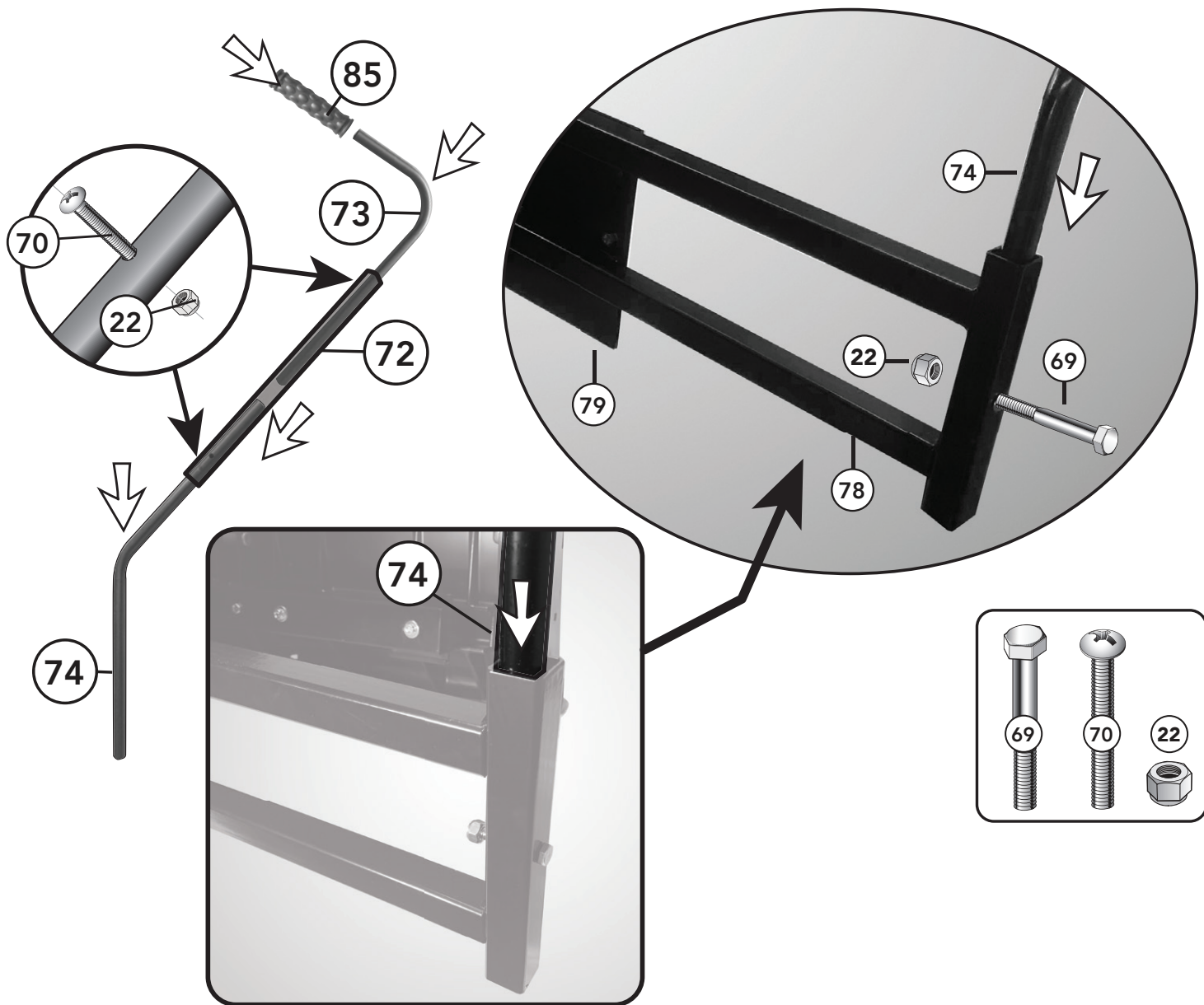
C



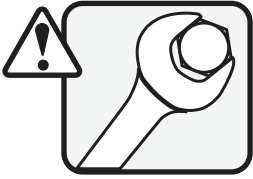




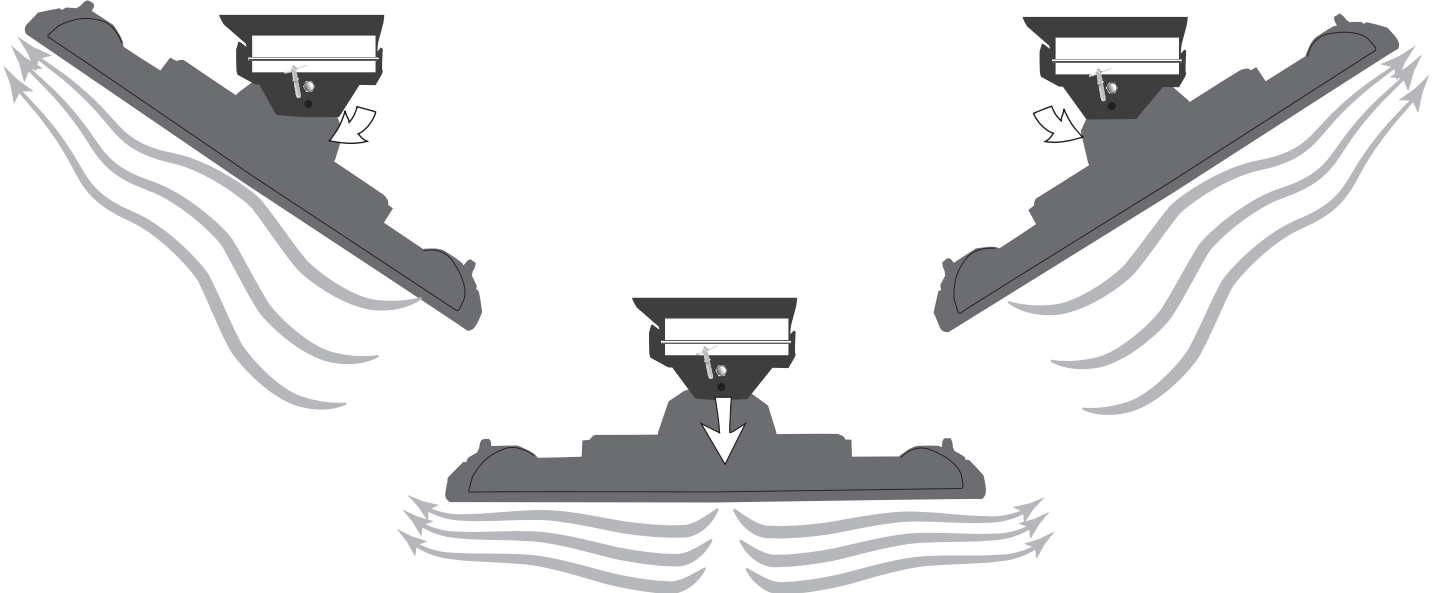
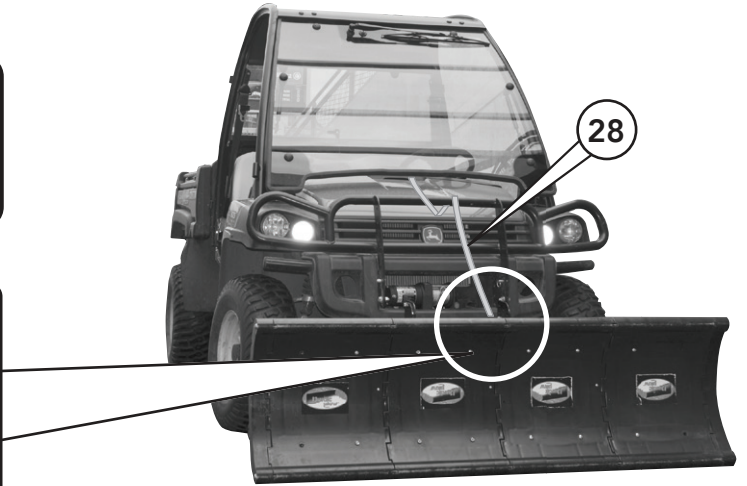
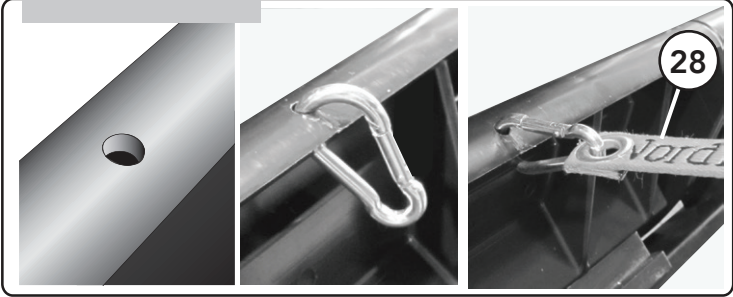
ASSEMBLY
TIPS



ATTACHING WINCH CABLE



DILL HOLE



These instructions are for the UTV Mounting Kit and are 2 of 2 packages.
The Plow and its instructions are packaged and shipped separately.



1-888-662-7569 (PLOW) | 771 W. North Avenue, West Chicago, IL 60185 | www.nordicplow.com

© September 2021