



MOUNTING KIT INSTRUCTIONS TORO TIME CUTTER WITH STEERING WHEEL

DEVELOPED BY NORDIC PLOW™



INSTRUCTIONS FAQs & TIPS

SAFETY

Read and understand the plow instructions, Warranty & FAQ and Tips before use.

Scan the QRC instructional videos on the first page or watch the videos on our website before use: www.nordicplow.com

Always instruct other users before they use the plow.

OPERATION

Risk of Injury:

- Never allow children to handle the plow.
- Never allow anyone to walk beside or sit on the plow when in use.
- ^a **Never operate the plow over 2 to 3 mph. Keep a slow steady speed.**
- If you hit an obstruction, immediately stop the vehicle and reverse direction.

Here are some clarification and tips to help get your Nordic Plow installed correctly.

STEP 1: Remove the foot pedal by removing the 3 inside locknuts as shown. Save the locknuts for reassembly.

STEP 2-4: Using a #30 torx socket, remove front plastic cover bolts. Carefully lift the cover to give you access to the front frame bolts.

STEP 5-6: Remove the frame bolts and install receiver (part #56). Attach using existing bolts.

STEP 7: Install hitch (part #55) and boot plates (part #52). The axle hole in the bottom of the boot plate needs to be 7" to 8" above the ground as shown in the bottom picture in step 10.

STEP 8 – Installation of the handle mount bracket (part #75).

Note:The handle mount bracket is angled and can be attached with the angle facing the plow blade or your machine. It can also be attached to the left or right side of the Spring Pivot Bracket (part #10) per the user's preference.

A. Install the axle (part #46) through any set of holes in the spring pivot bracket to use as a guide when attaching the handle mount bracket.

B. Attach the handle mount bracket making sure none of the holes interfere with the axle.

STEP 9 – Slide spacers (Part #40 & 41) onto the axle (Part #47) and in between the boot plates (Part #52) and spring pivot bracket (Part #10) as shown.

STEP 10 – The pitch of the blade is controlled by changing the axle hole used in the spring pivot bracket (part #10). The optimal angle is shown, but you can change the angle to fit your needs.

1-888-662-7569 (PLOW)

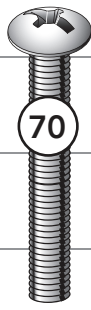
771 W. North Avenue West Chicago, IL 60185

www.nordicplow.com

1/4"



69
H-11201
X 1



70
P-31103
X 2

1"

2"



47189
x3



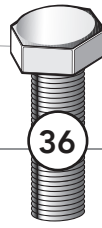
43
C-18769
x1



28
43343
x2

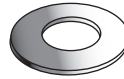


3/8"



36
43001
X 6

1"

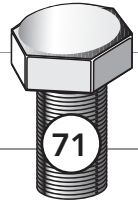


43070
x6



44072
x6

1/2"



71
H-46521
X 2

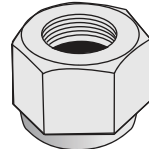
1"



47398
x1



712-3083
x1



712-3083
x2



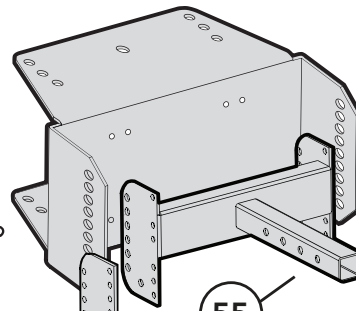
804HG
x1



85



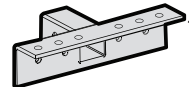
46
67803
x1



52
27665
x2



55
27966
x1



56
67965B
x1



74
801LHT
x1



73
802UHT
x1

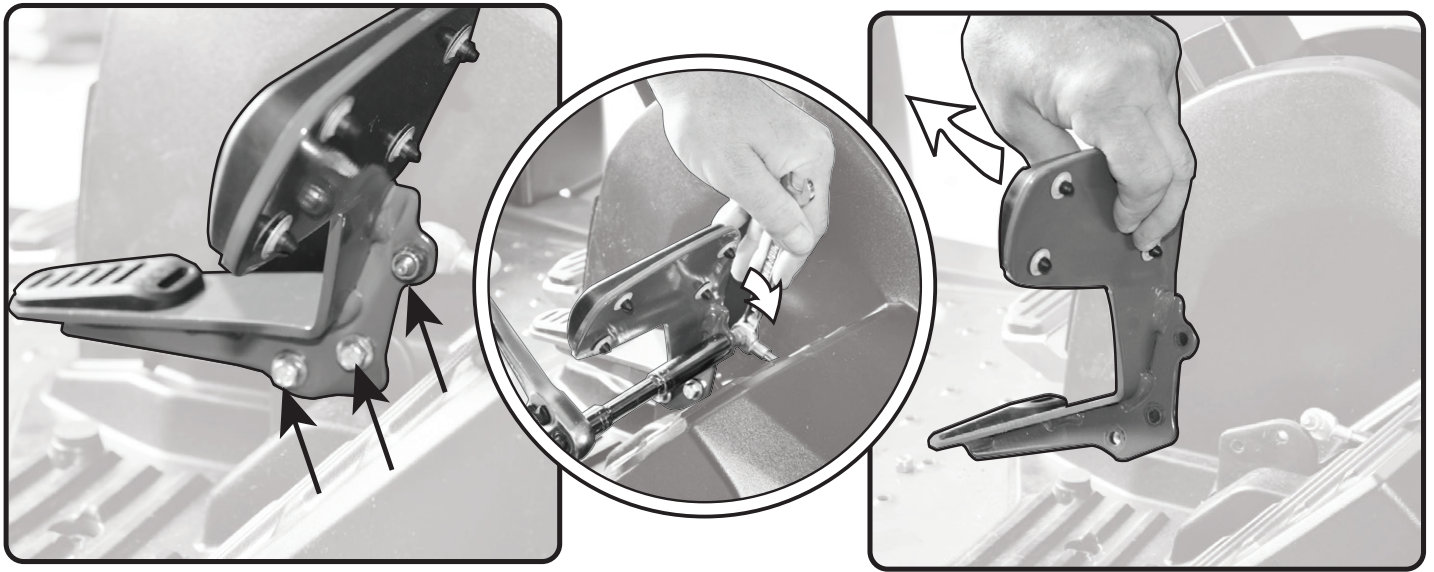


75
800HMB
x 1

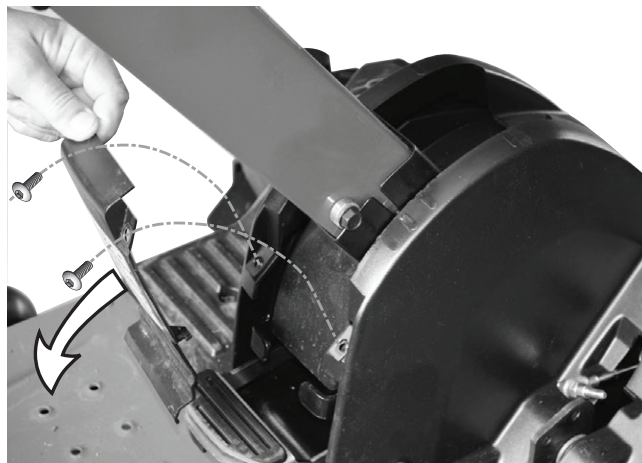


72
803JT
x1

1



2

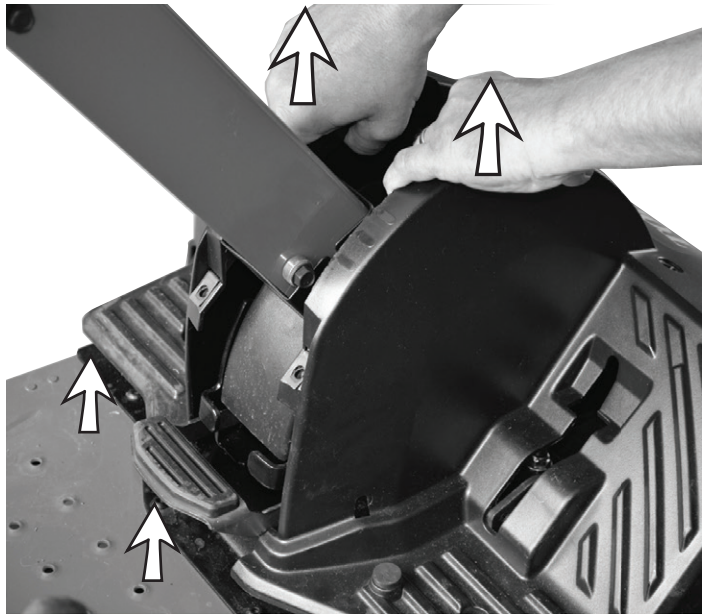


3



4

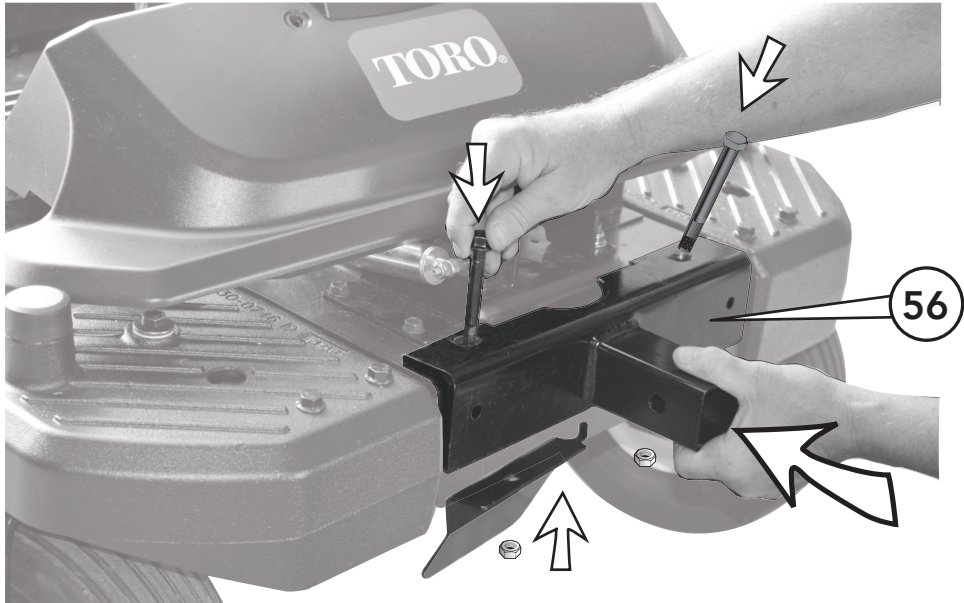
4

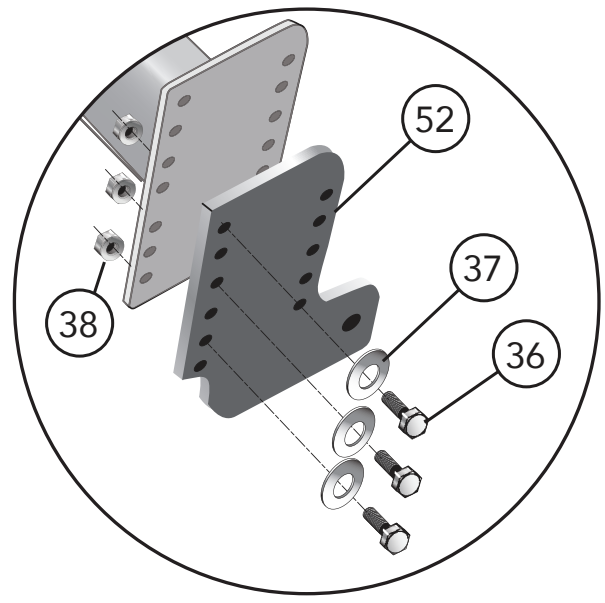
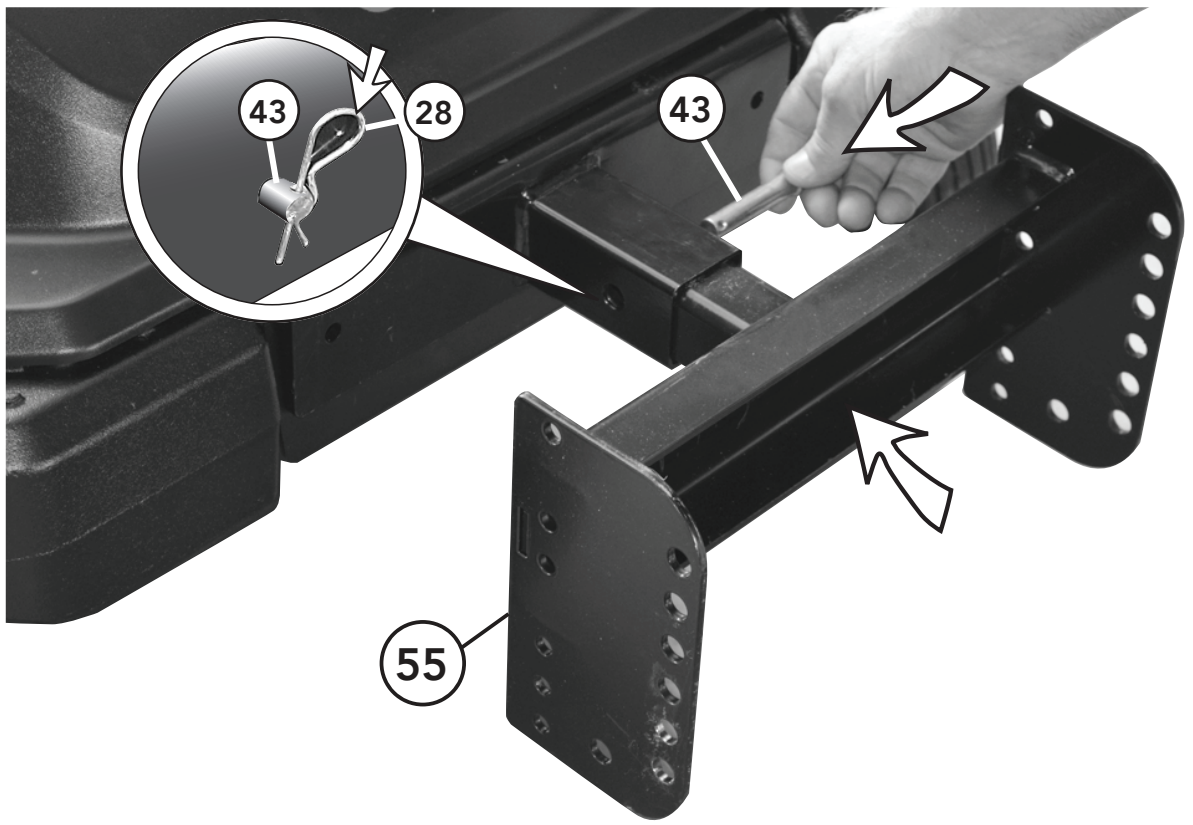


5

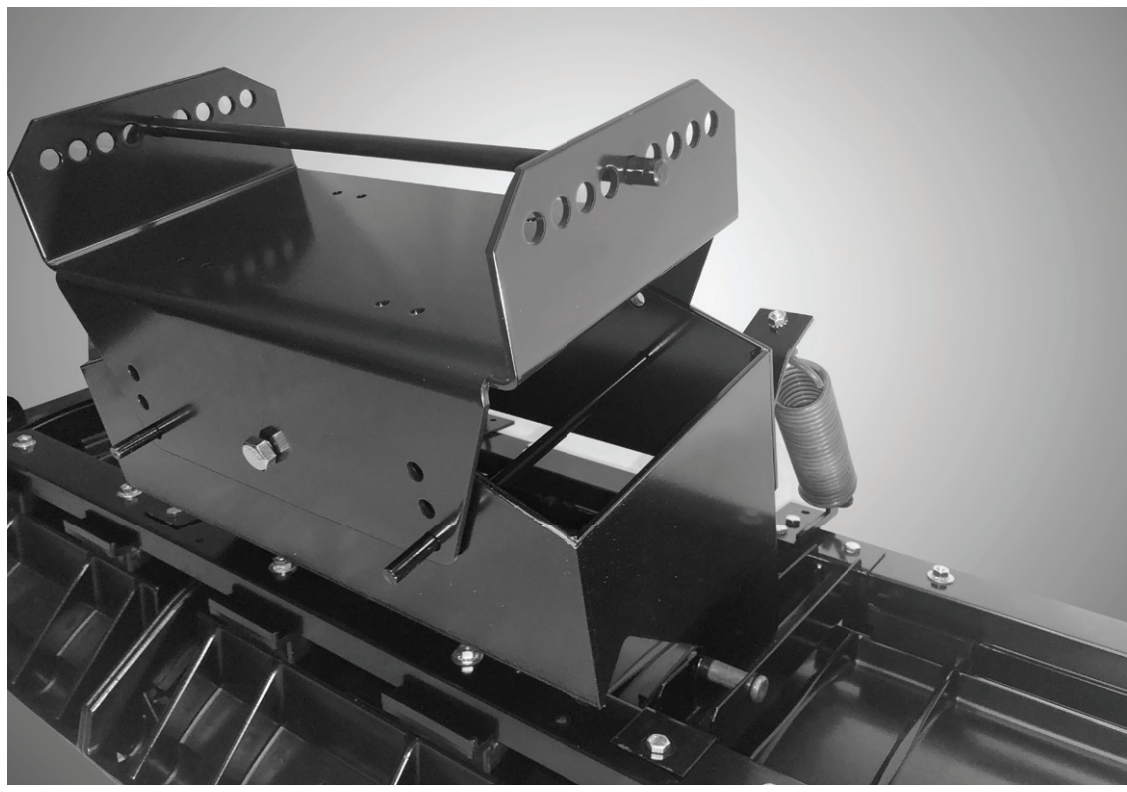


6

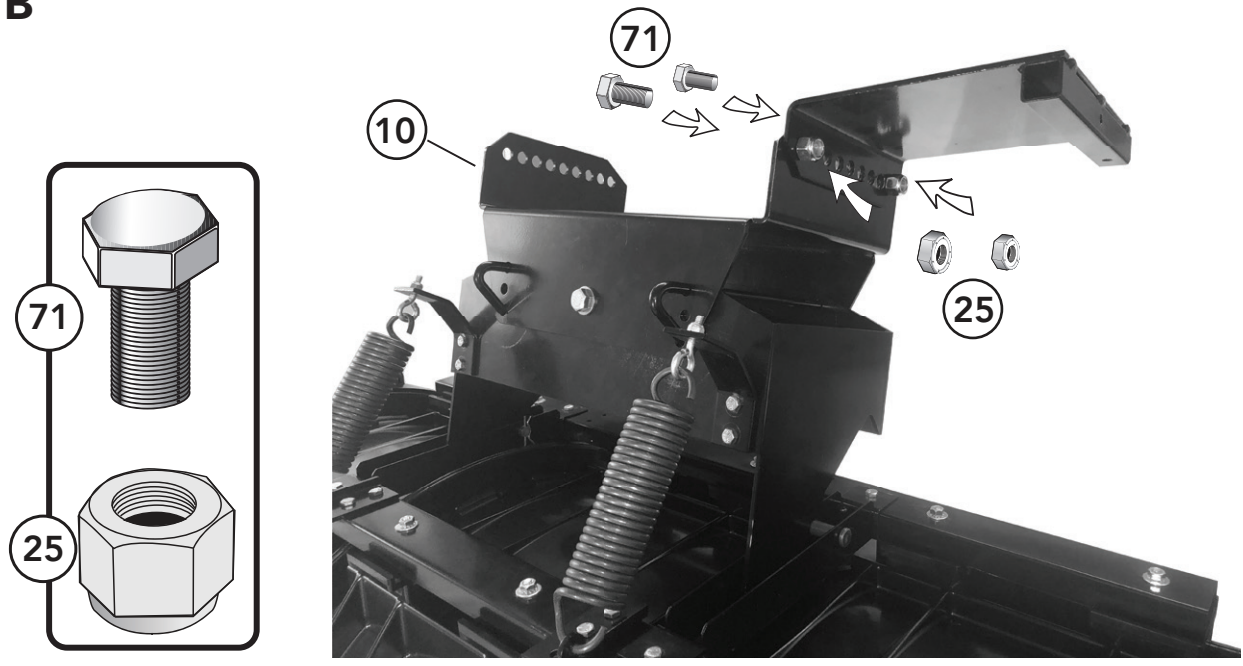


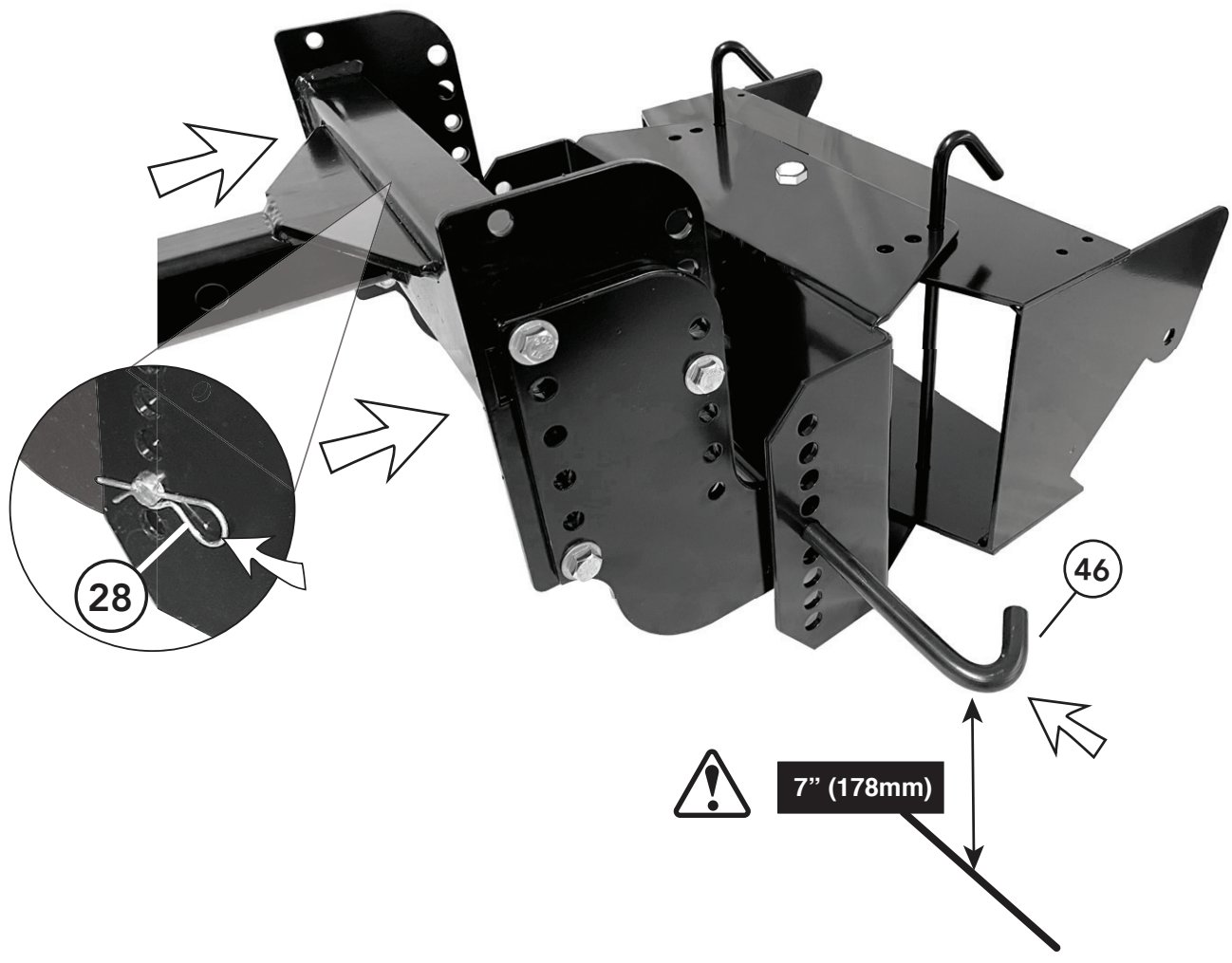
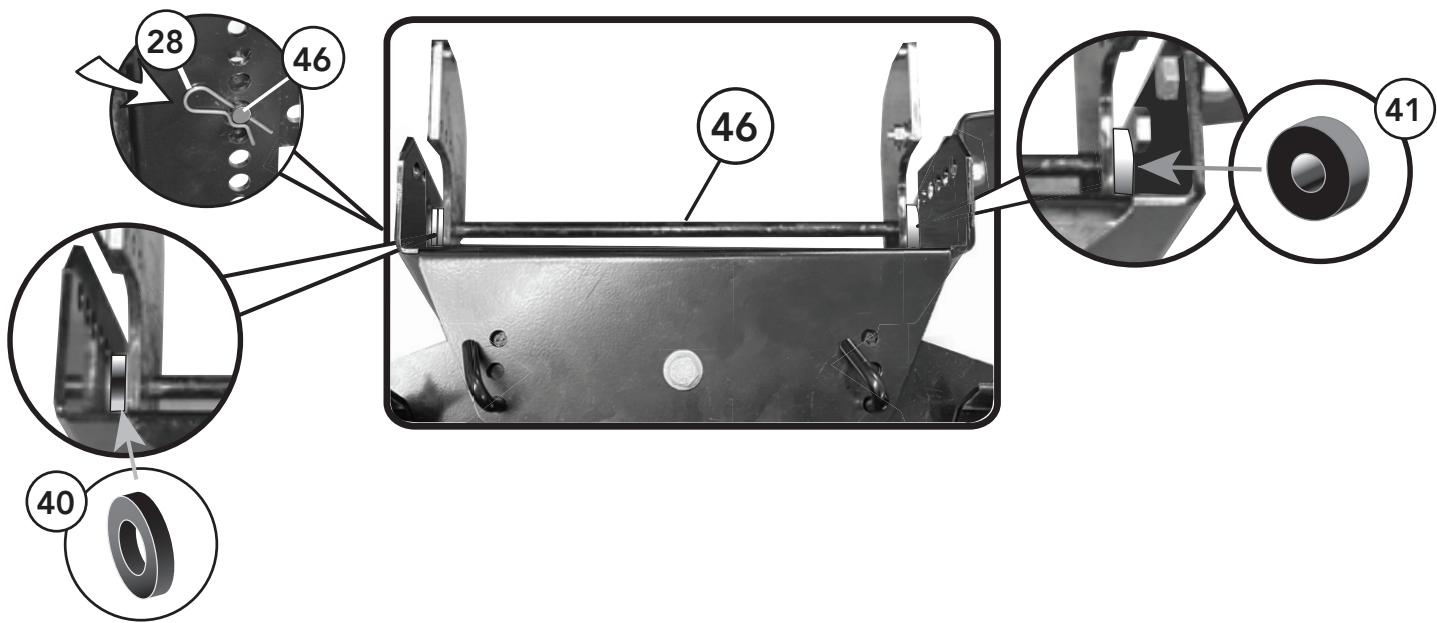


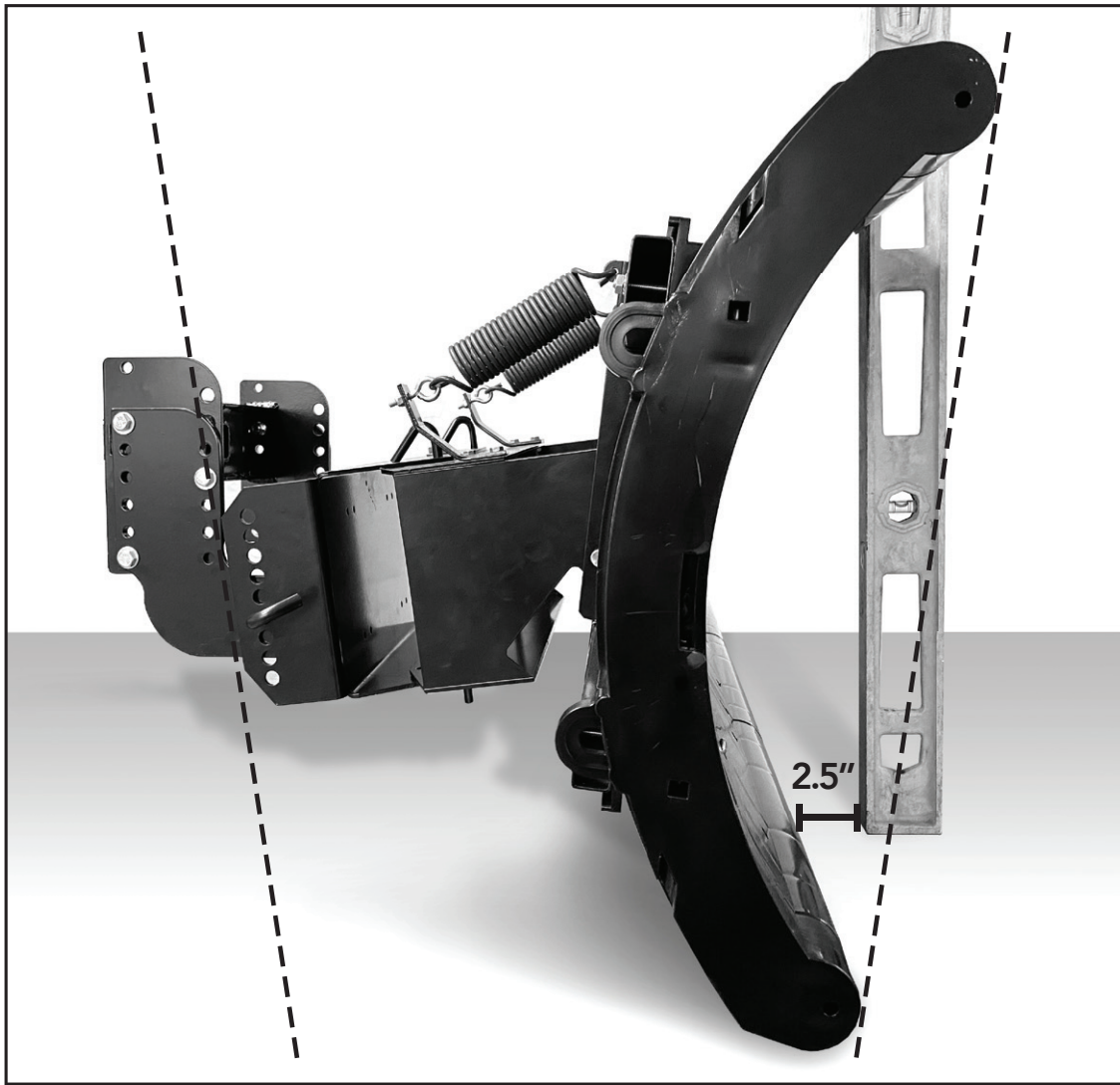
A



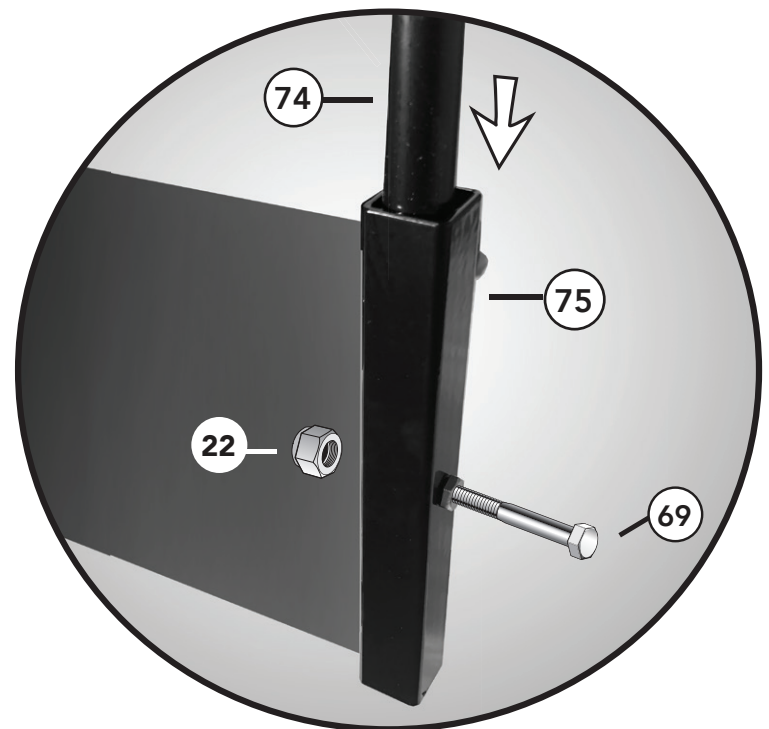
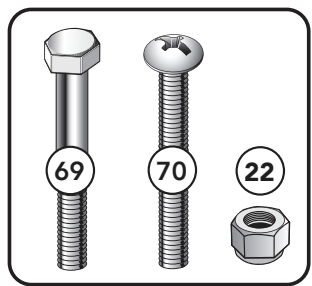
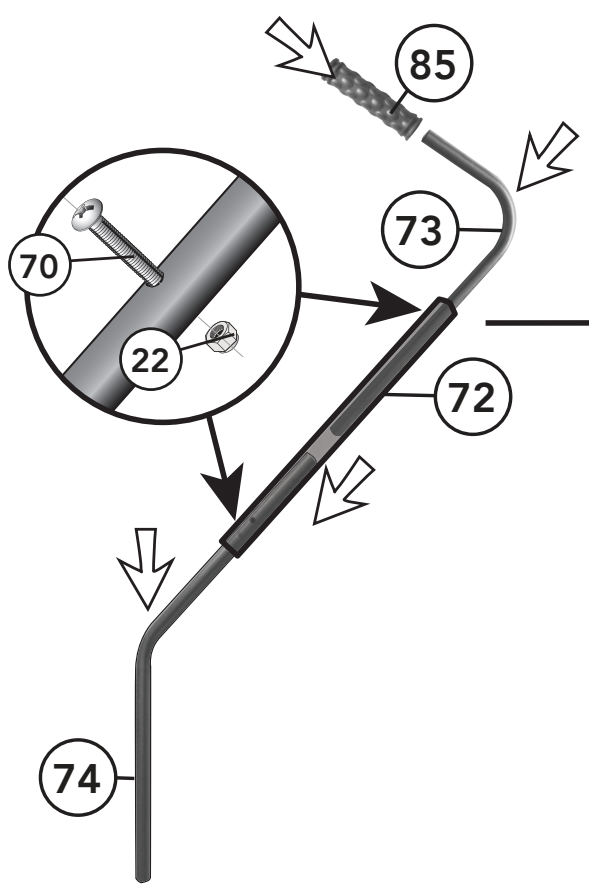
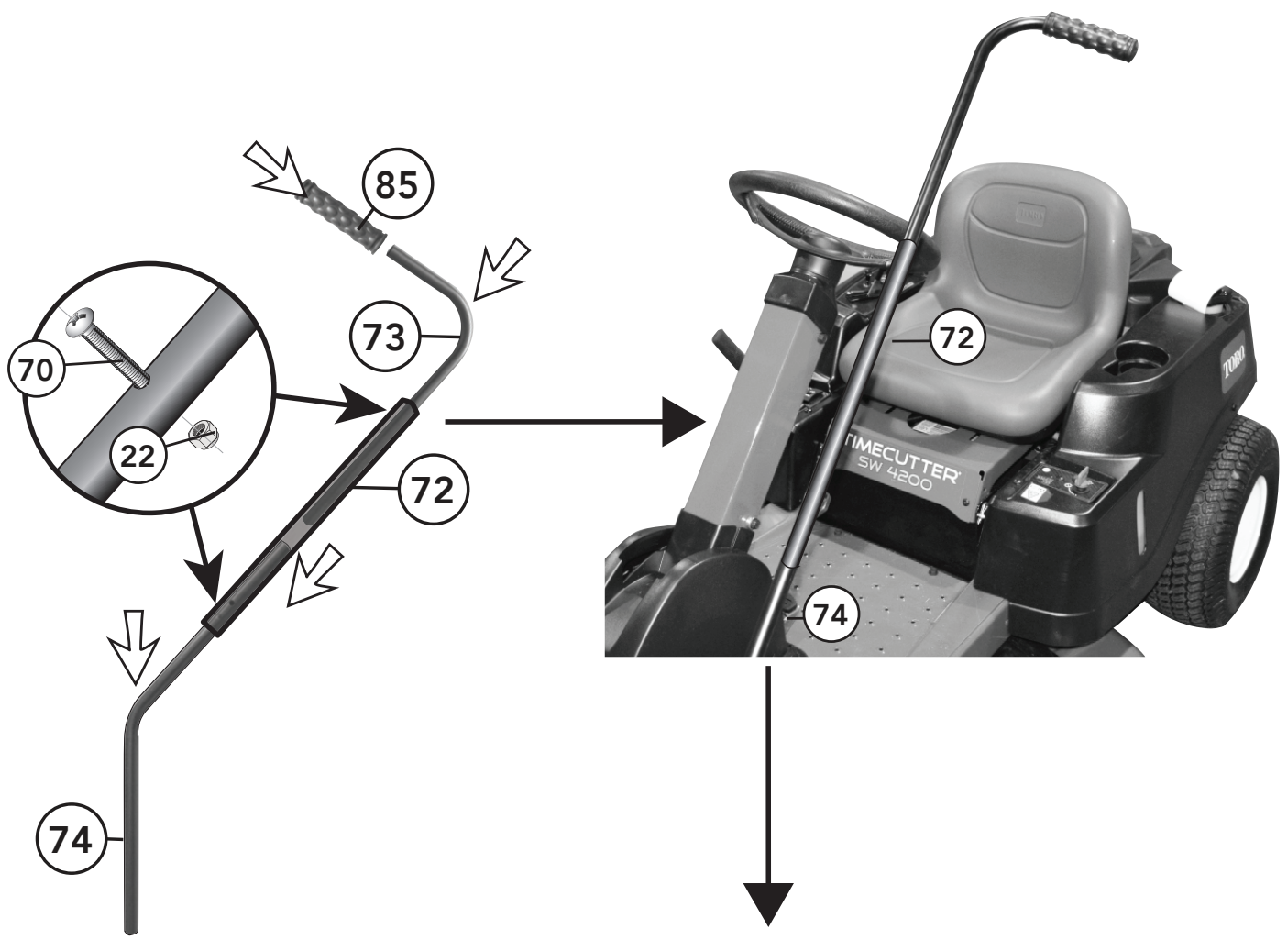
B

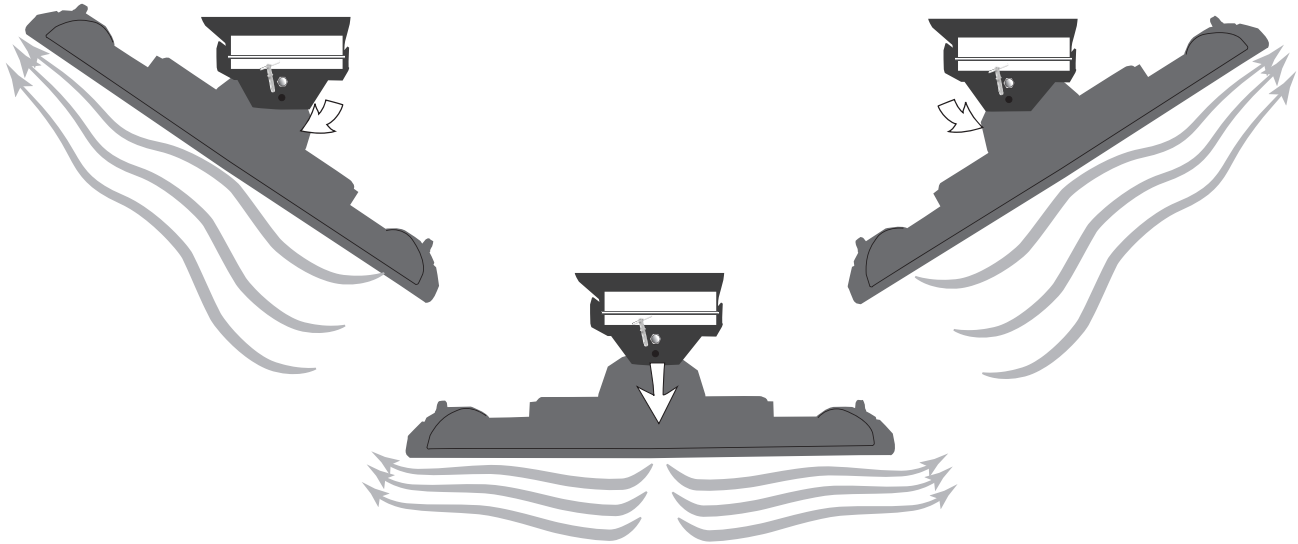
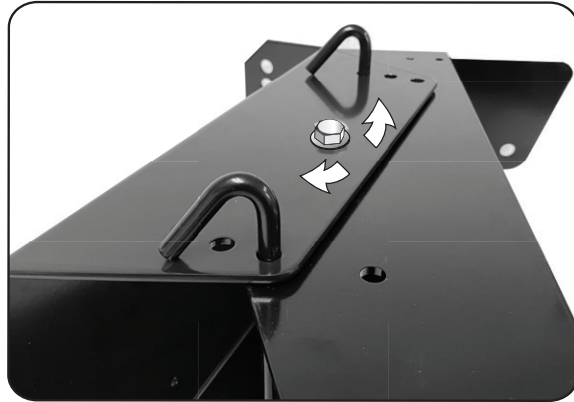






ASSEMBLY
TIPS





These instructions are for the Time Cutter Mounting Kit and are 2 of 2 packages.
The Plow and its instructions are packaged and shipped separately.



1-888-662-7569 (PLOW) | 771 W. North Avenue, West Chicago, IL 60185 | www.nordicplow.com

© September 2021