



MOUNTING KIT INSTRUCTIONS

DIXIE CHOPPER ZEE 2

DEVELOPED BY NORDIC PLOW™



INSTRUCTIONS FAQs & TIPS

SAFETY

Read and understand the plow instructions, Warranty & FAQ and Tips before use.

Scan the QRC instructional videos on the first page or watch the videos on our website before use: www.nordicplow.com

Always instruct other users before they use the plow.

OPERATION

Risk of Injury:

- Never allow children to handle the plow.
- Never allow anyone to walk beside or sit on the plow when in use.
- **Never operate the plow over 2 to 3 mph. Keep a slow steady speed.**
- If you hit an obstruction, immediately stop the vehicle and reverse direction.

Here are some clarification and tips to help get your Nordic Plow installed correctly.

STEP 1-3: Slide Steel washers (part #84) onto bolts (part #60) and lock in place with locknut (part #38). Insert bolts through hole on each side of the frame as shown. Carefully fit receiver (part #83) up into the frame and lock in place with locknuts (part #38).

STEP 4: Part #57 can be placed on either side of the receiver as preferred by the operator.

STEP 5-7: There are multiple bolt holes in parts #51 & #49 allowing for adjustment in the height of the foot pedal.

STEP 8: Before attaching boot plate (part #52) refer to the lower picture in step 10 to achieve the correct axle height.

STEP 9: Attach angle bar (part #47) on the left or right side of the part #10 matching your decision in step 4.

STEP 10: Place spacers (part #'s 40 and 41) onto the axle (part #46) and in between the boot plates (part #52) and spring pivot bracket (part #10). Axle should be 7" to 8" above the ground.

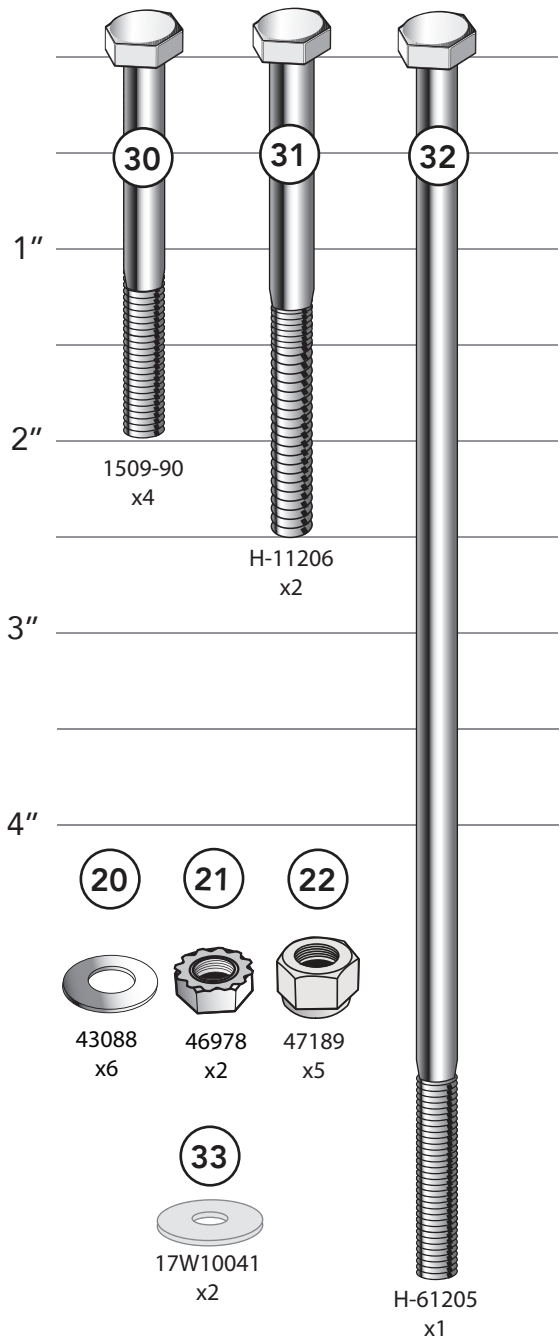
STEP 11: It is important to watch the video to understand how to achieve the best working pitch of the plow blade.

1-888-662-7569 (PLOW)

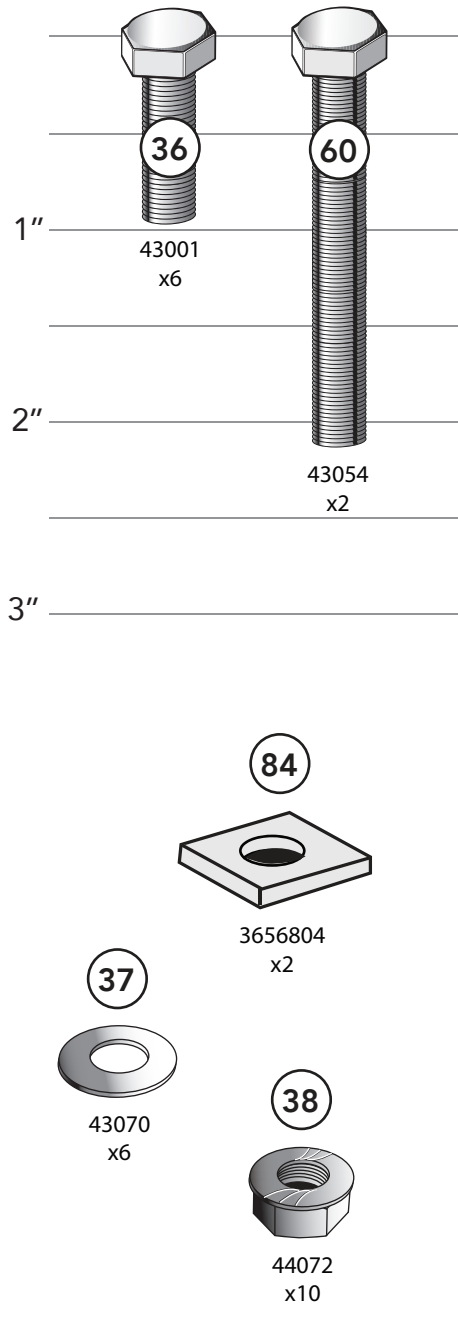
771 W. North Avenue West Chicago, IL 60185

www.nordicplow.com

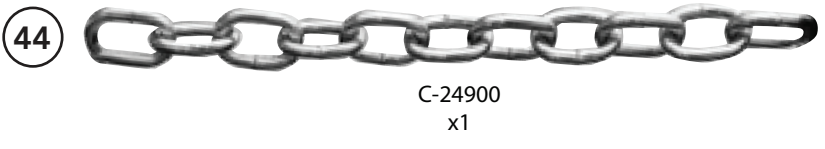
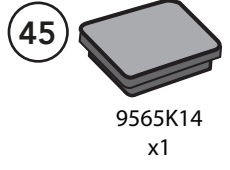
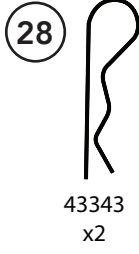
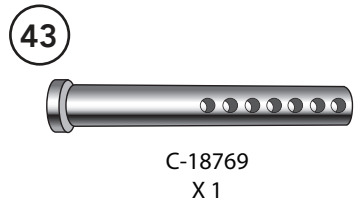
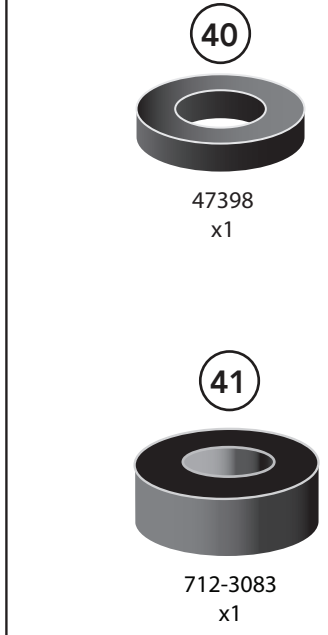
1/4"

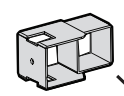
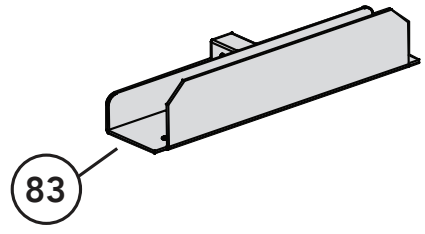
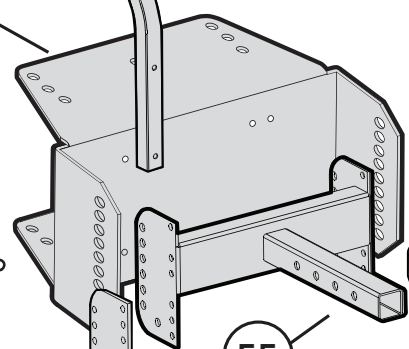
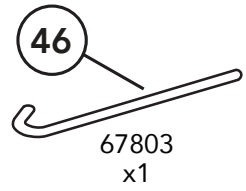
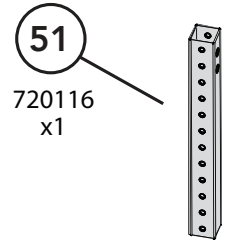
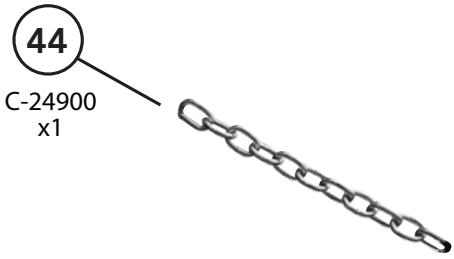


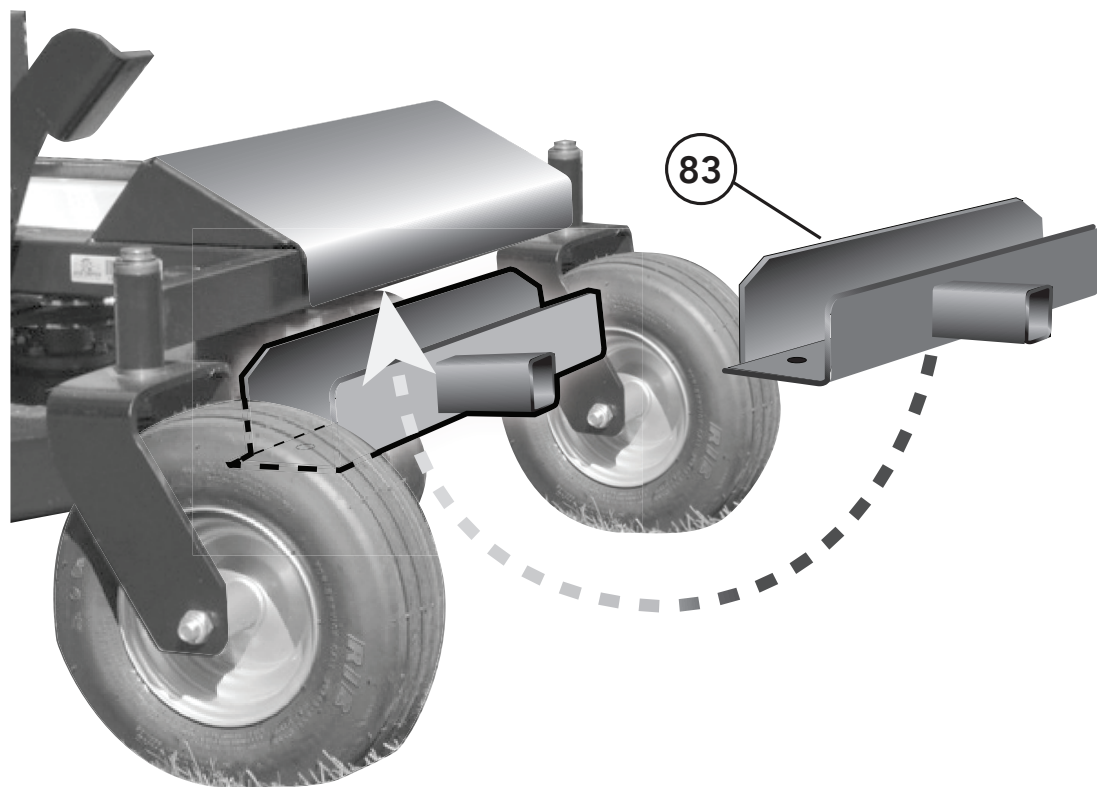
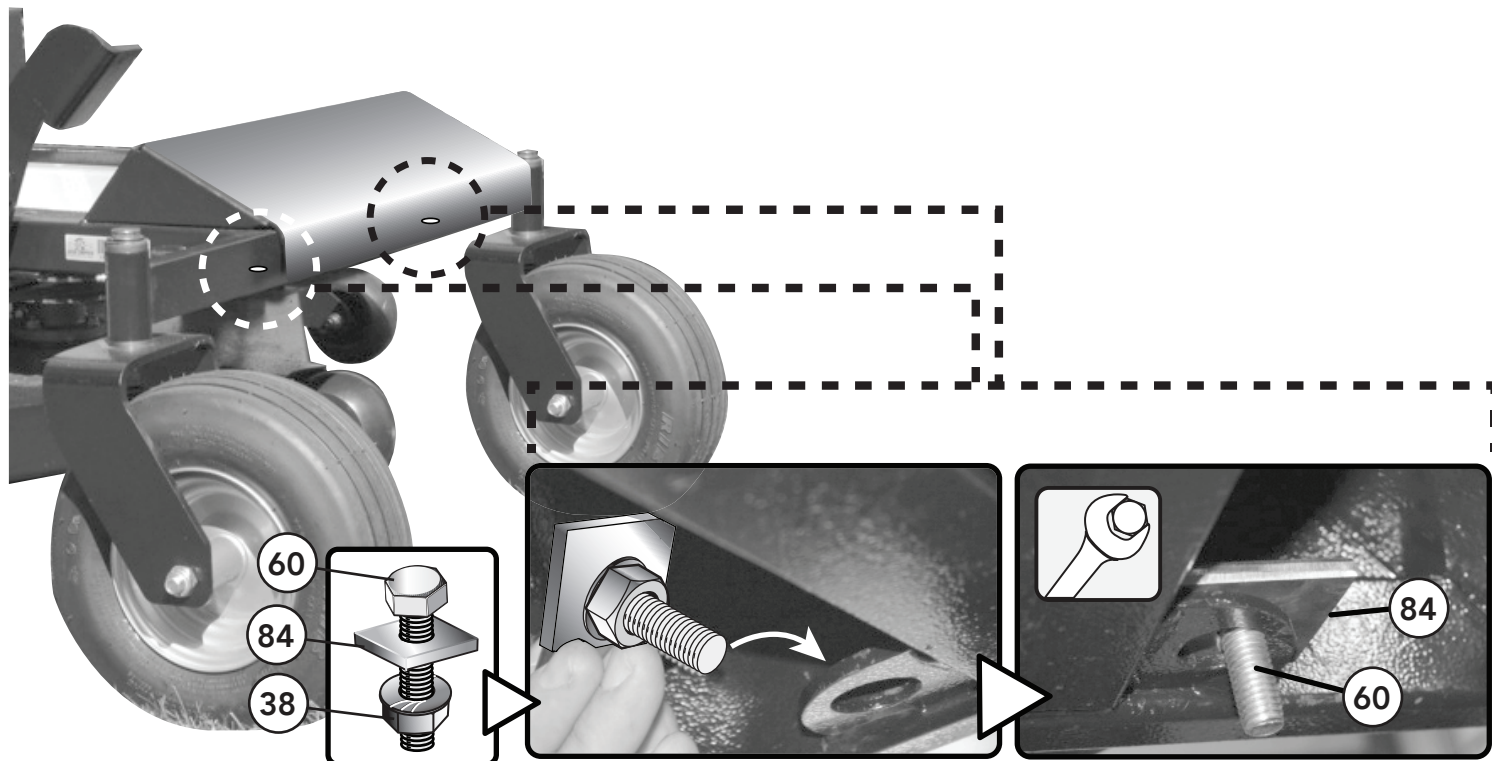
3/8"

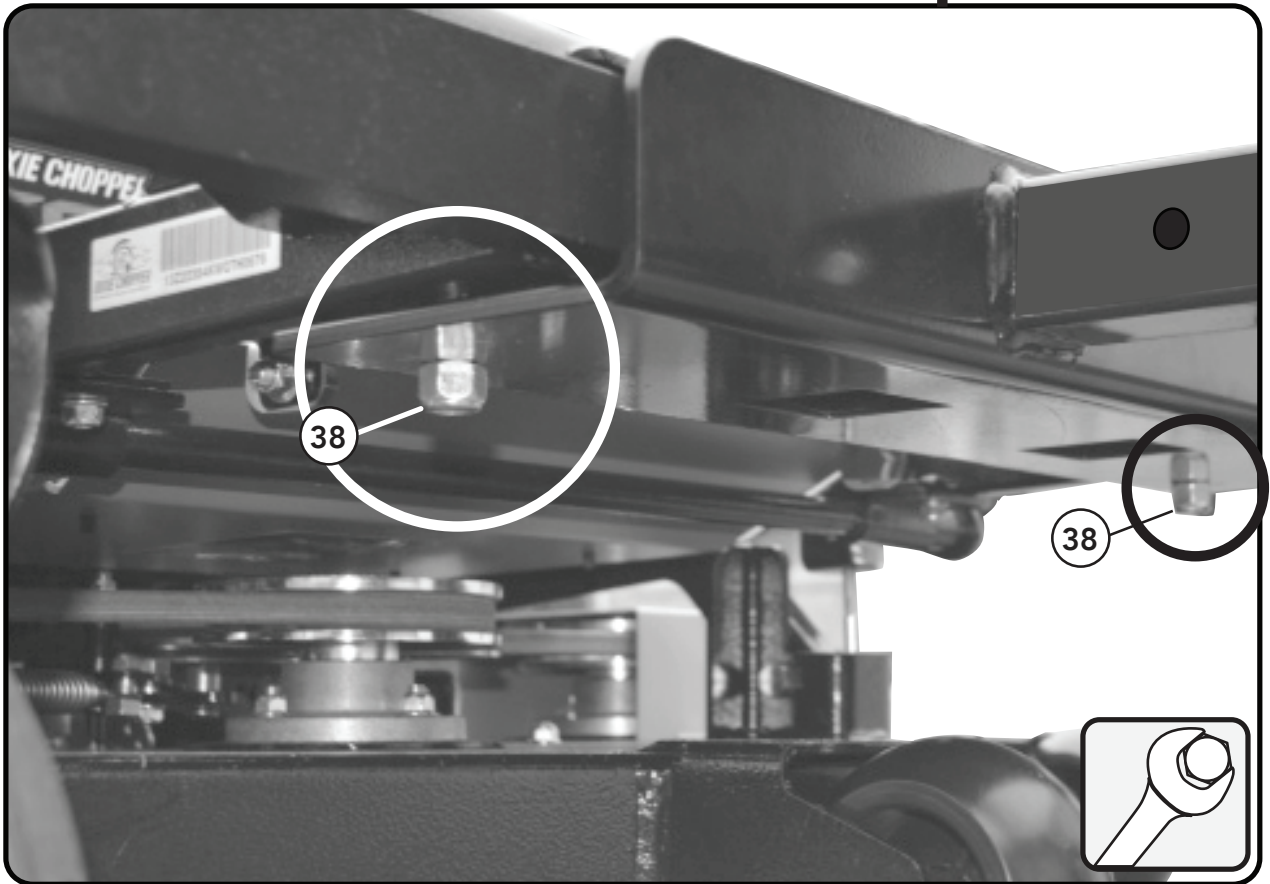
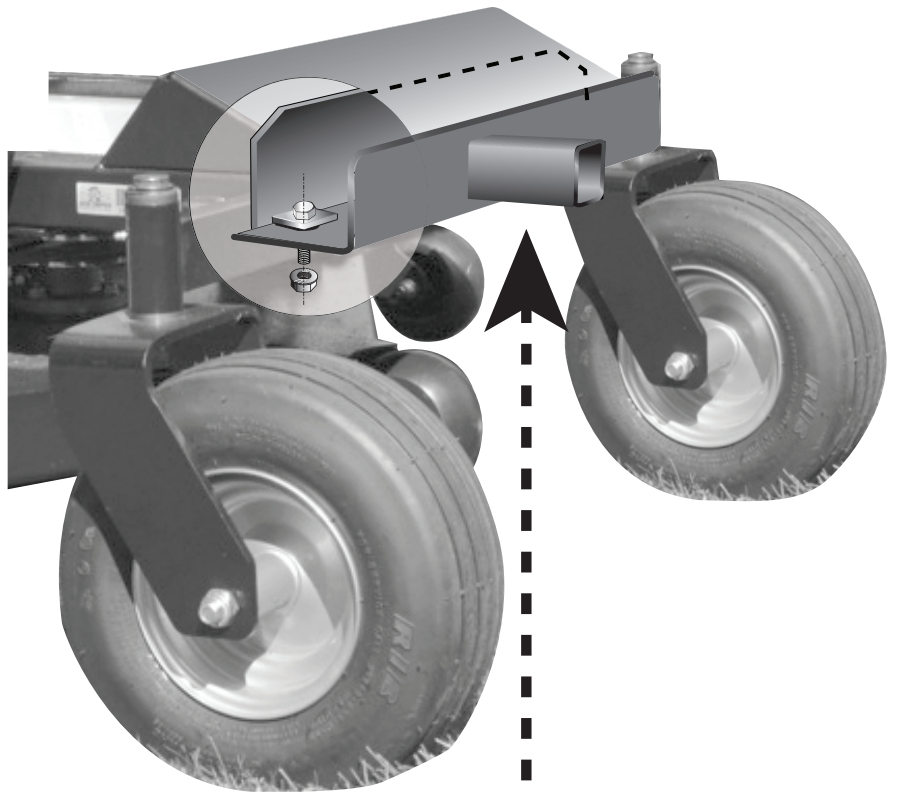
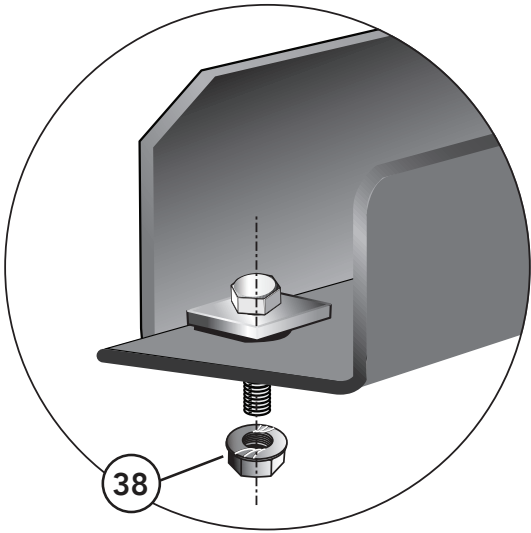


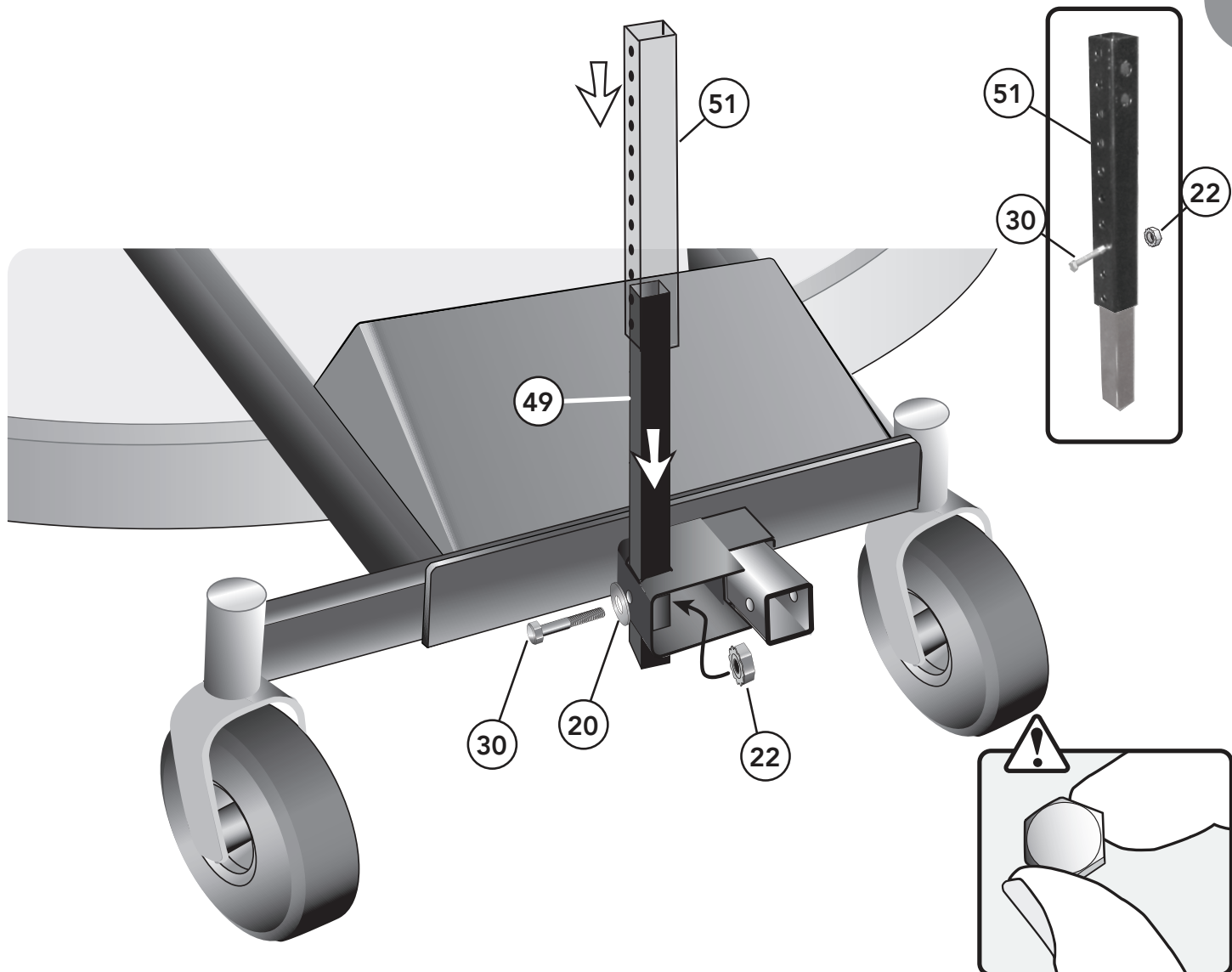
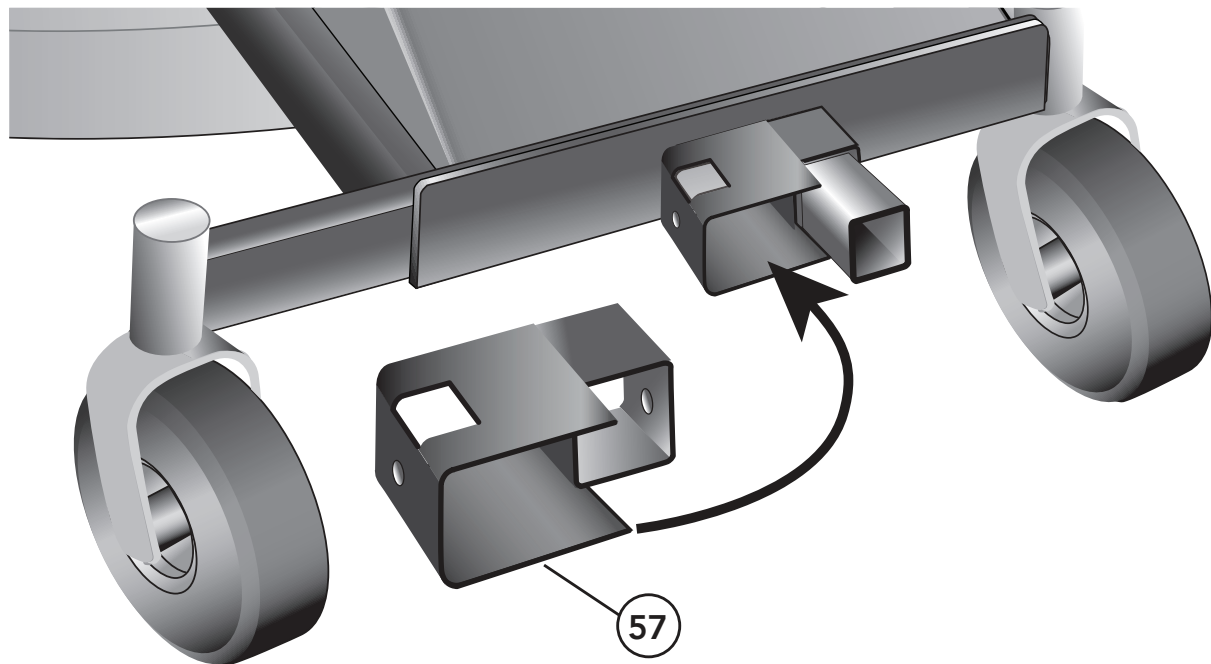
1/2"

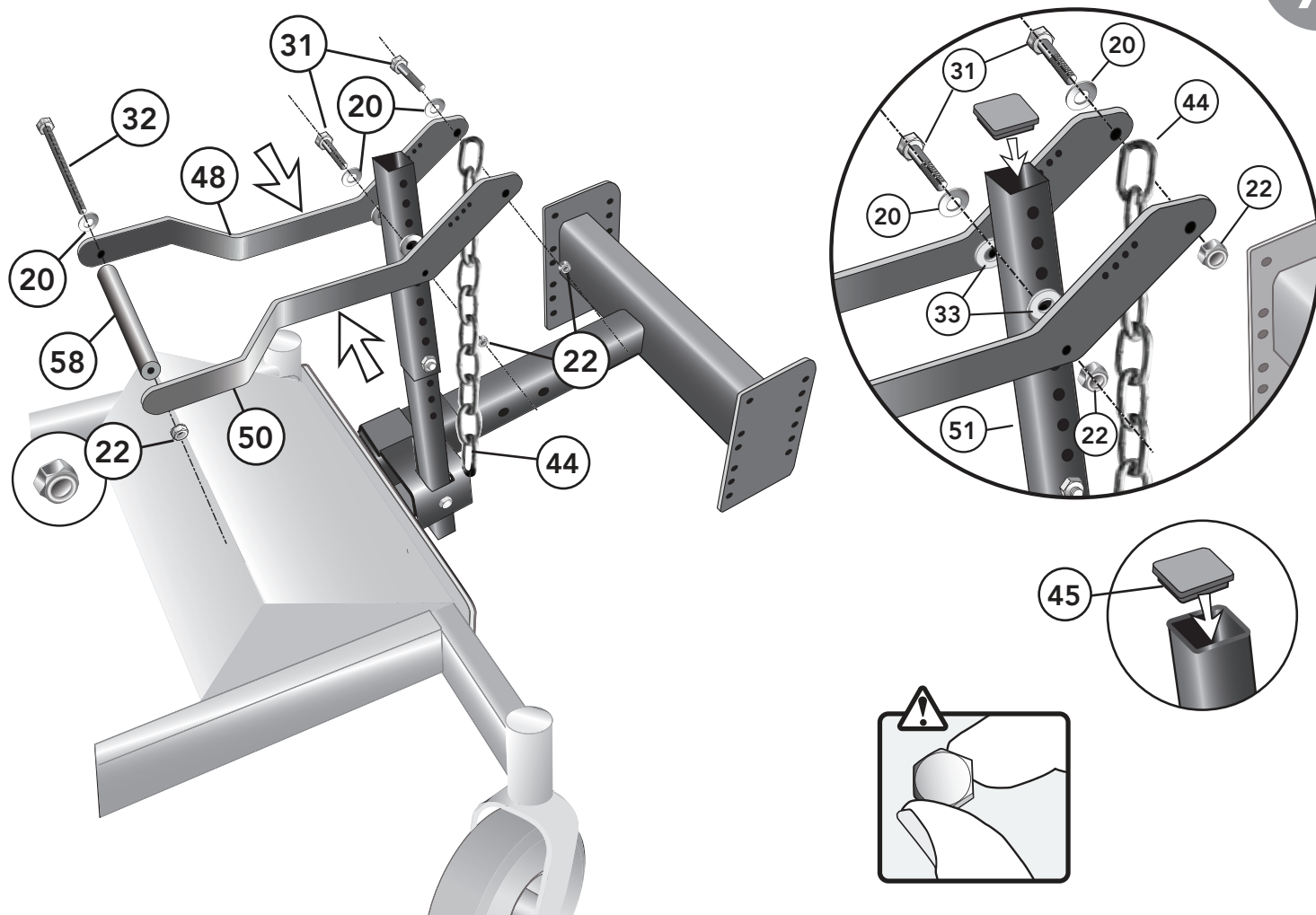
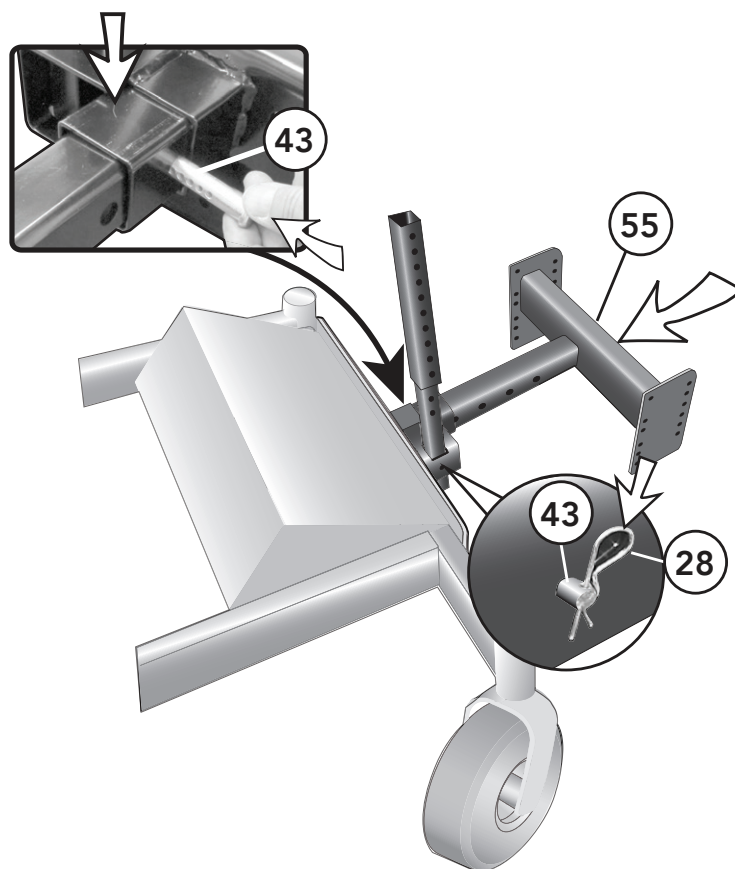


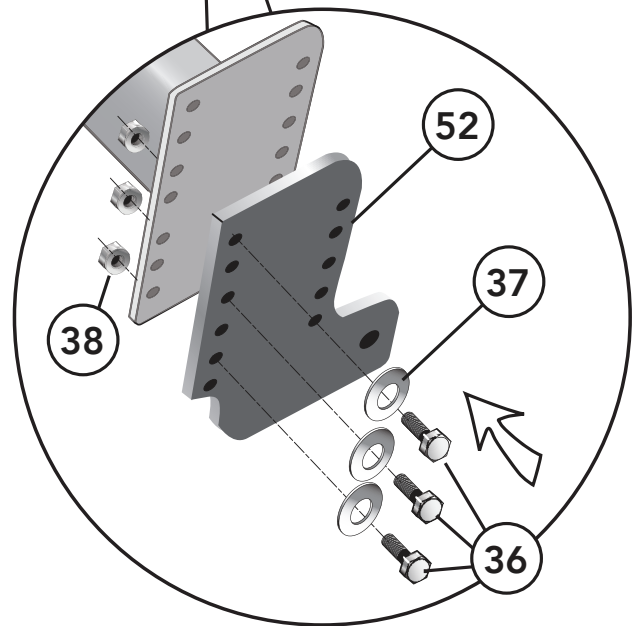
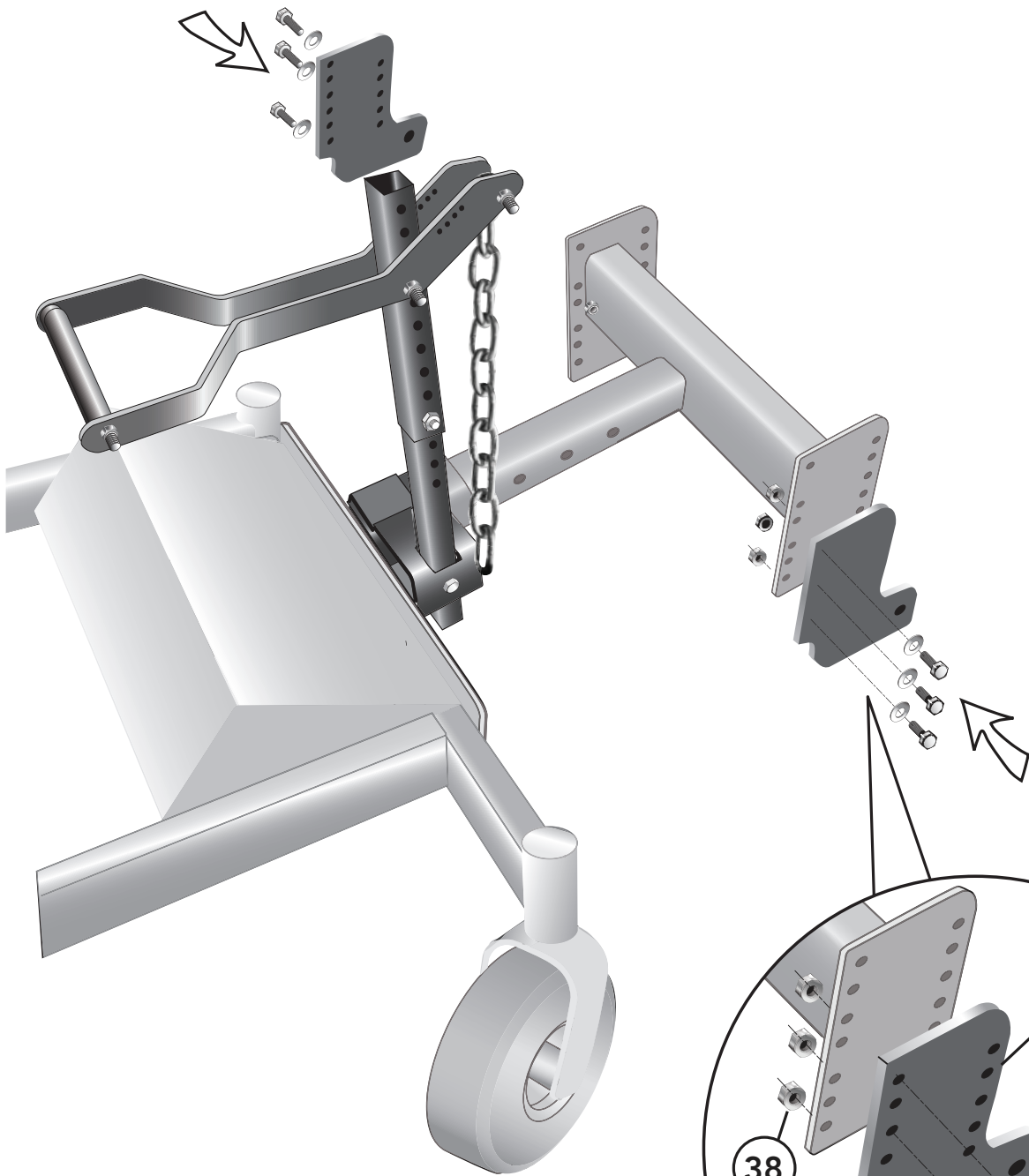


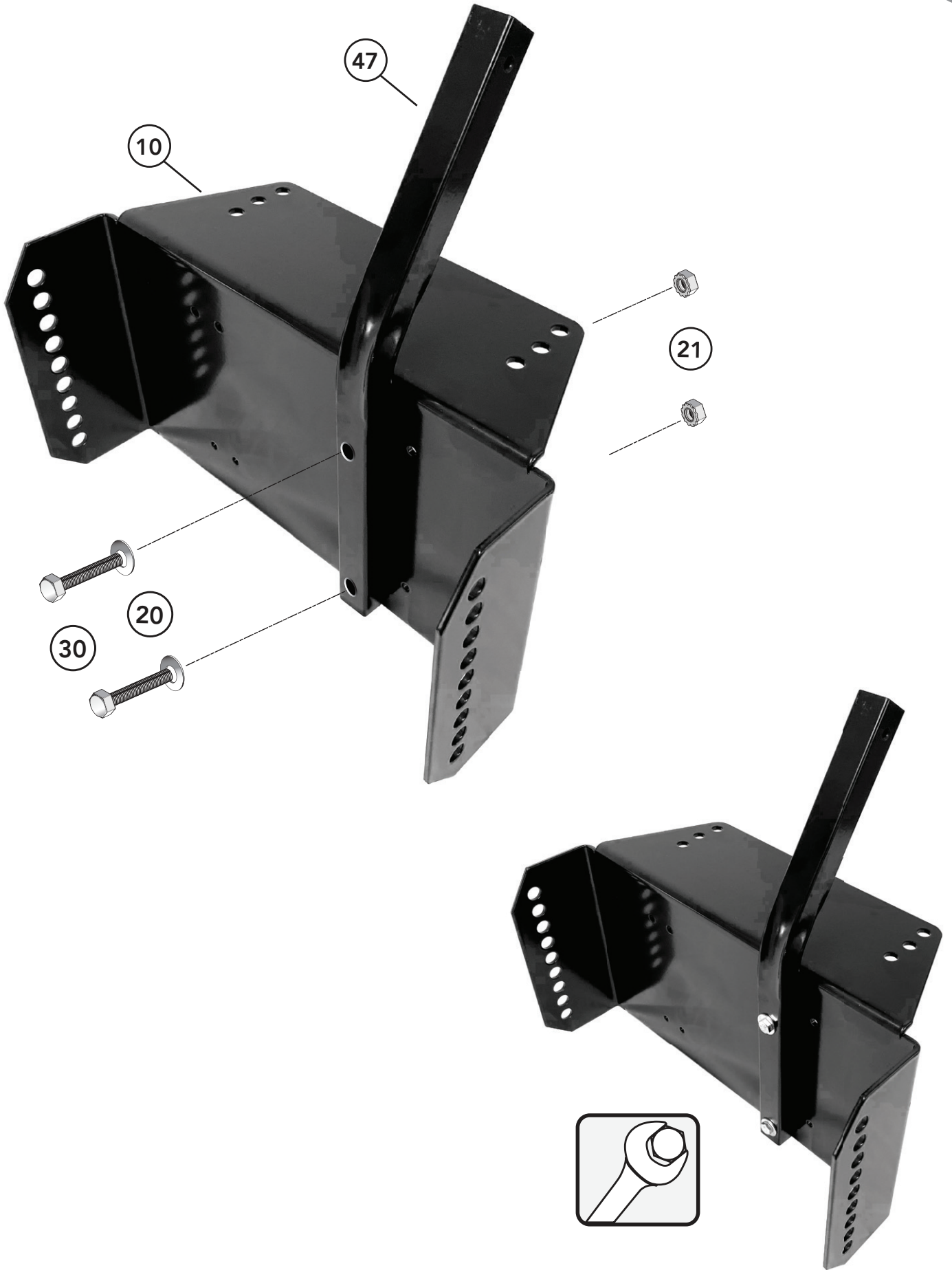


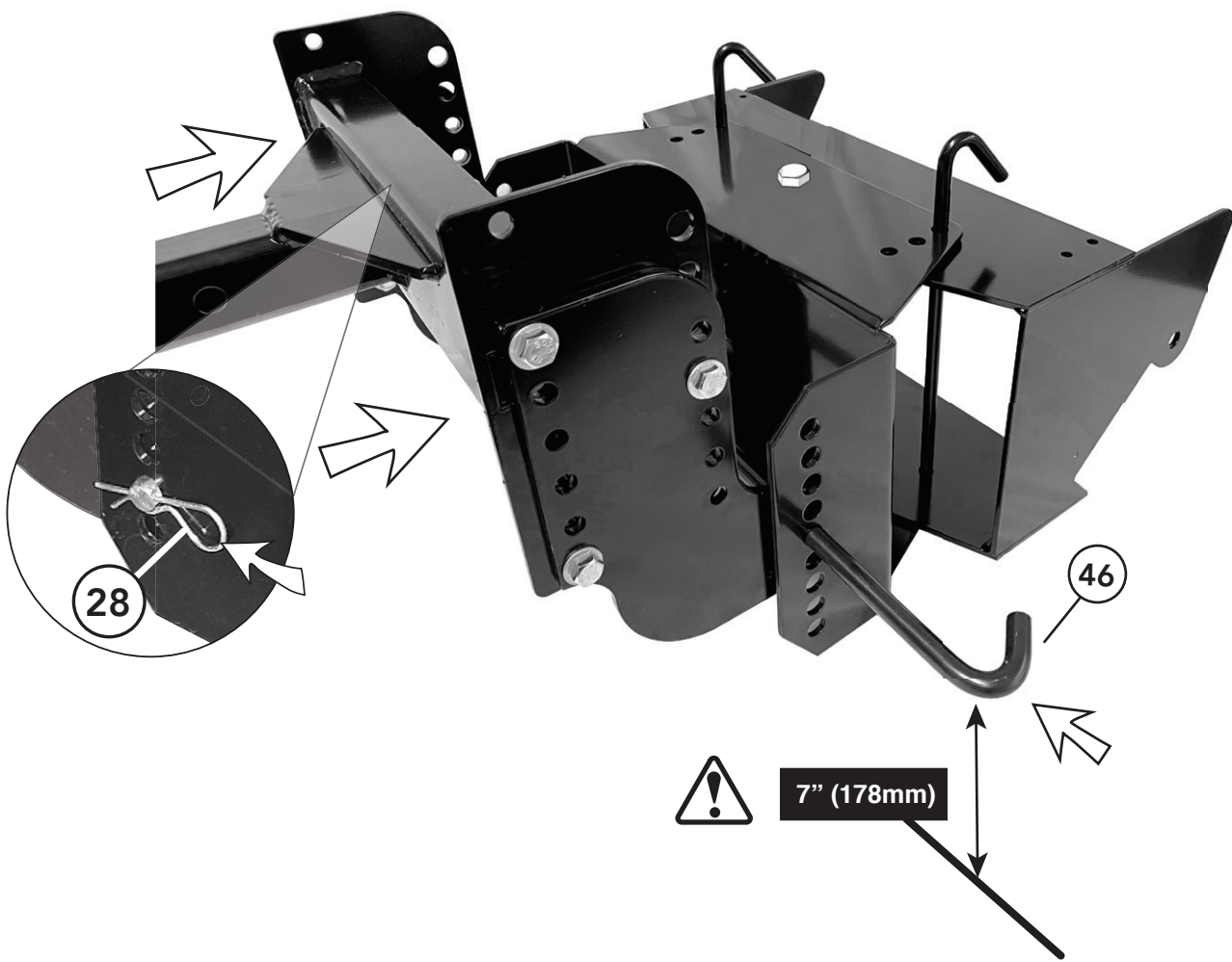
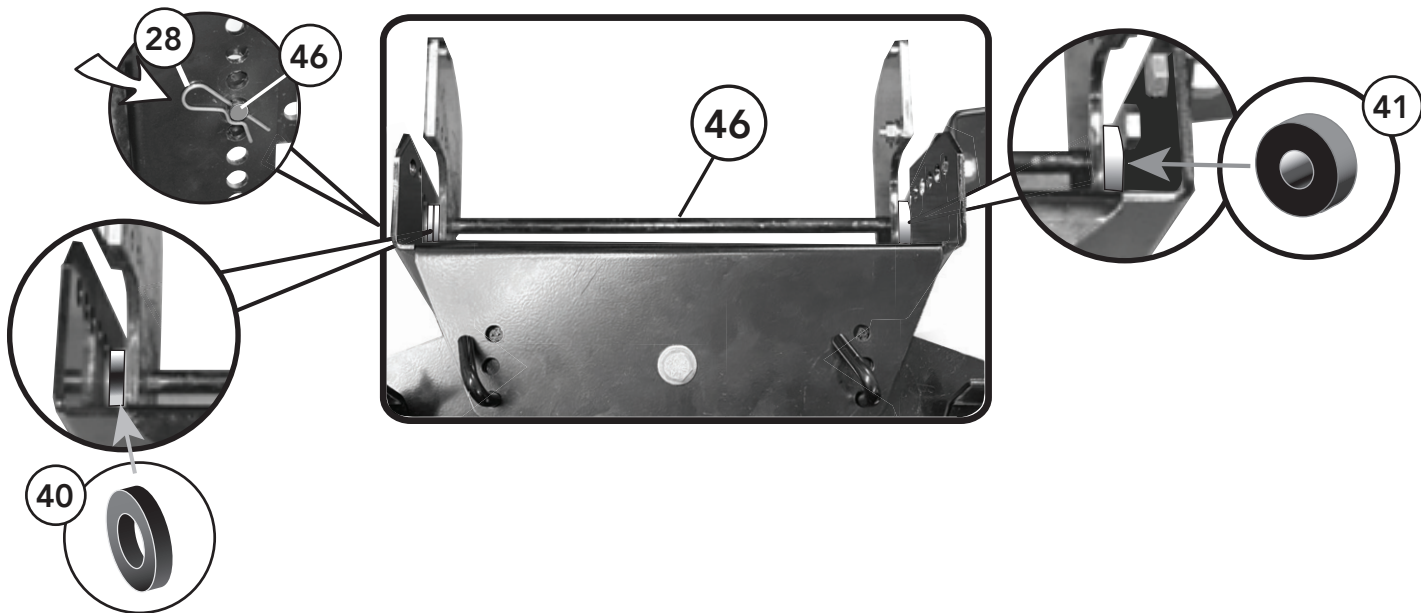


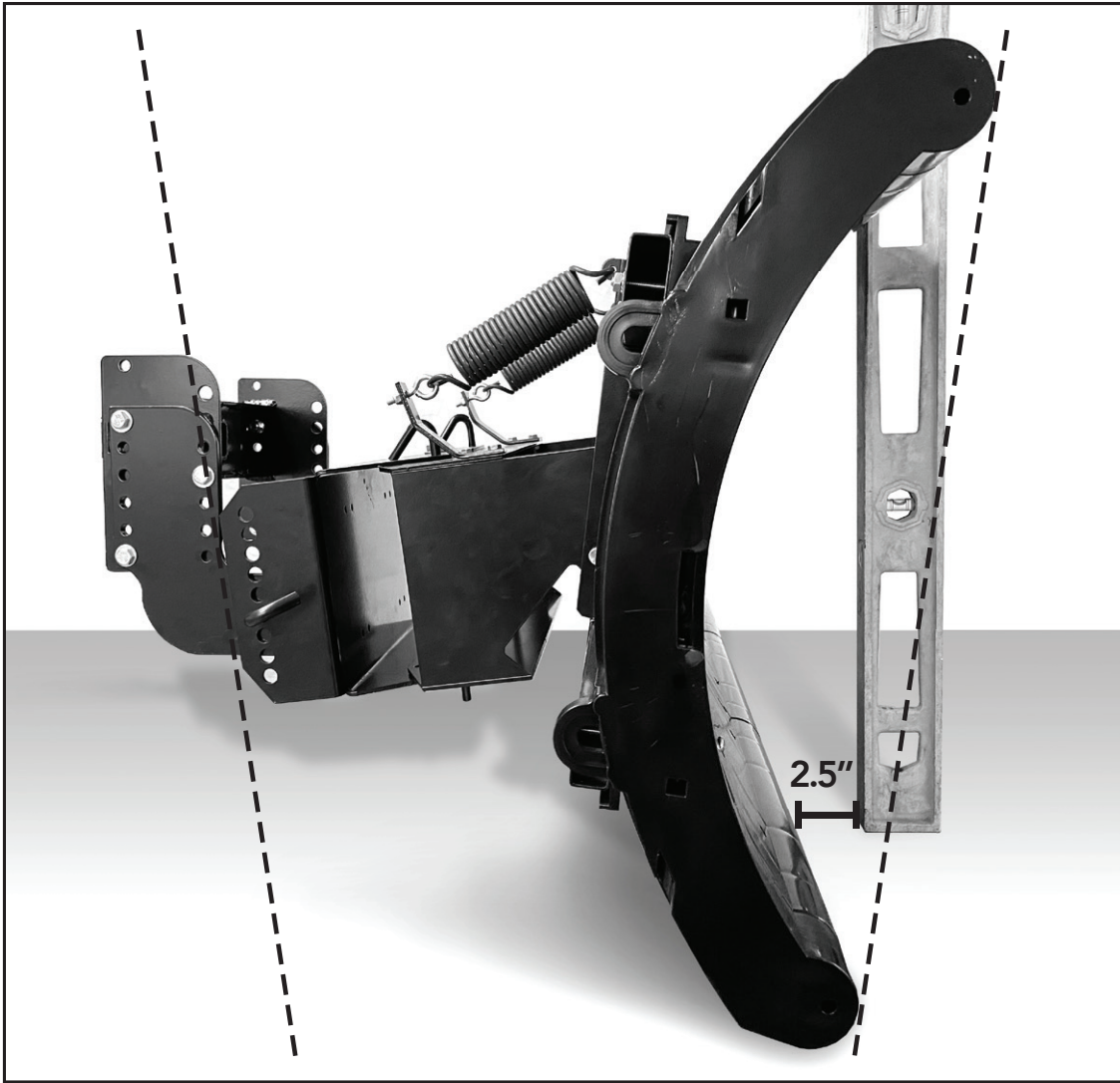








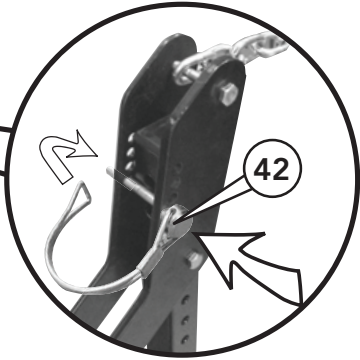
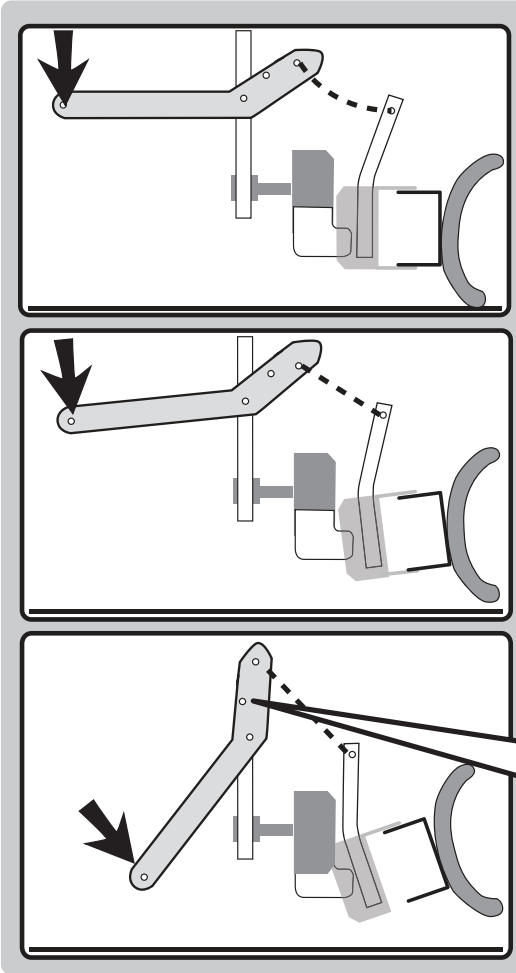
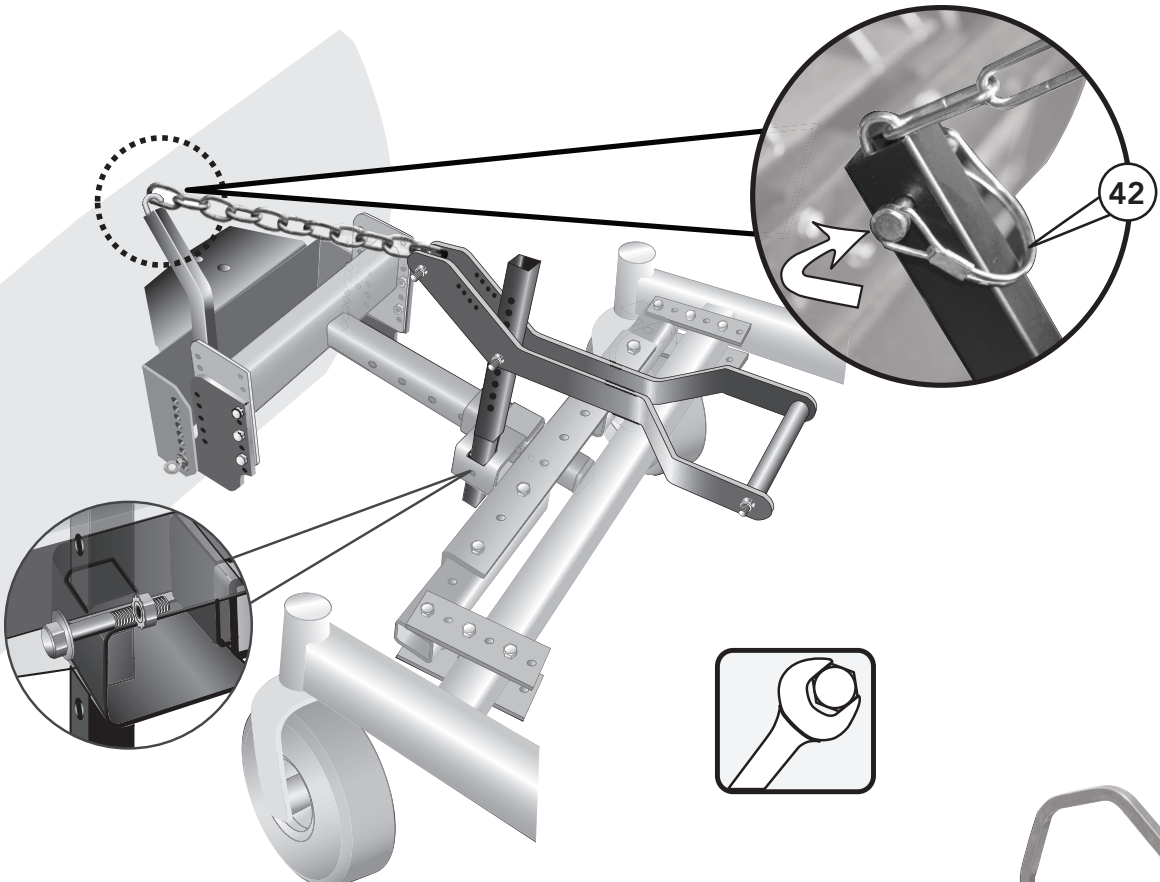


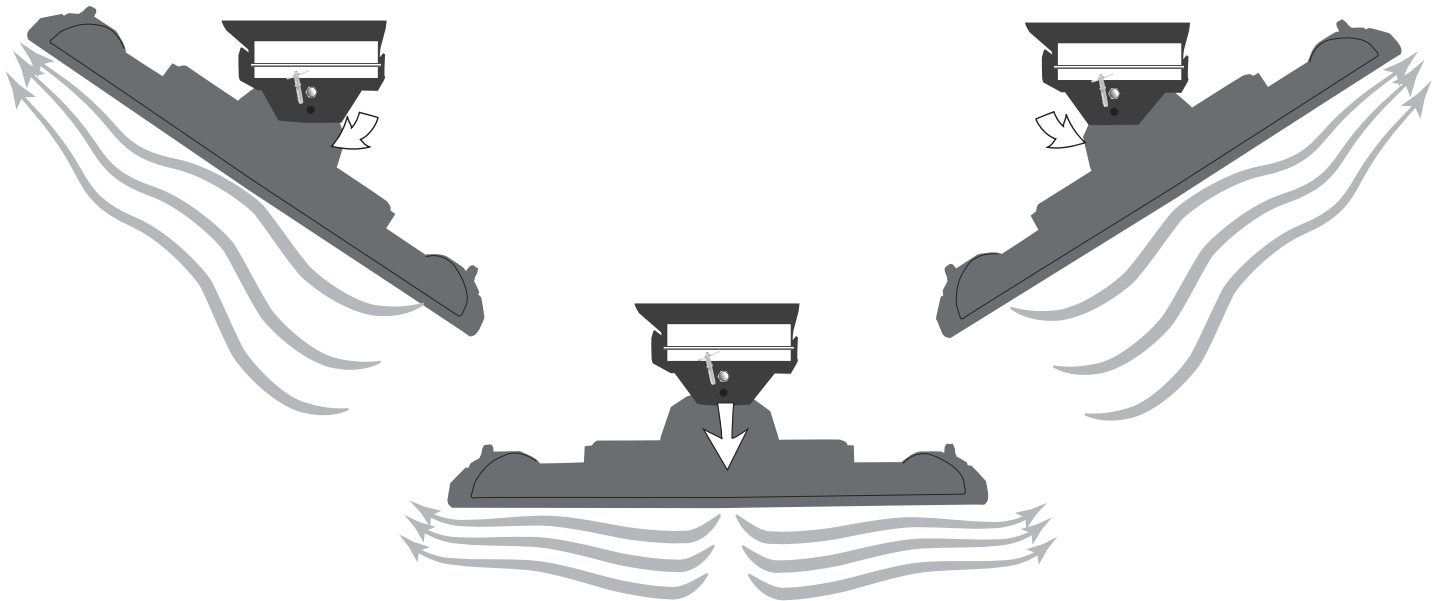
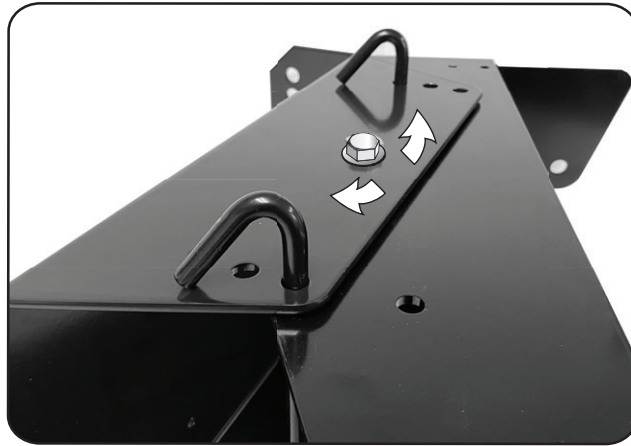


2.5"



ASSEMBLY
TIPS





These instructions are for the Dixie Chopper Zee 2 Mounting Kit and are 2 of 2 packages. The Plow and its instructions are packaged and shipped separately.



1-888-662-7569 (PLOW) | 771 W. North Avenue, West Chicago, IL 60185 | www.nordicplow.com

© September 2021