



ATV 49" MOUNTING KIT INSTRUCTIONS

DEVELOPED BY NORDIC PLOW™



ASSEMBLY
TIPS

INSTRUCTIONS FAQs & TIPS

SAFETY

Read and understand the plow instructions, Warranty & FAQ and Tips before use.

Scan the QRC instructional videos on the first page or watch the videos on our website before use: www.nordicplow.com

Always instruct other users before they use the plow.

OPERATION

Risk of Injury:

- Never allow children to handle the plow.
- Never allow anyone to walk beside or sit on the plow when in use.
- ^a **Never operate the plow over 2 to 3 mph. Keep a slow steady speed.**
- If you hit an obstruction, immediately stop the vehicle and reverse direction.

STEP 1: To remove excess space that may exist between the belly plate and the frame, add a nut (part #38) to the clamp bracket (part #67) first as shown in "**Picture A**" before attaching.

The Belly Plate (part#65) must be firmly attached. There should be no movement.

Scan the QR code on the cover to see a video tutorial.

STEPS 2: Initially, assemble these nuts and bolts loosely by hand until you achieve the desired 7inch (178mm) distance from the ground to the axle hole as shown in steps 3 and 5.

STEP 4: Attach side brace (part #66) on each side of the belly plate (part #65) and then fully tighten all bolts.

STEP 5: Slide spacers (part #40 & 41) onto the axle (part #46) and in between the boot plates (part #63) and spring pivot bracket (part #10) as shown.

STEP 6: The pitch of the blade is controlled by changing the axle hole used in the spring pivot bracket (part #10). The optimal angle is shown here but you can change the angle to fit your needs.

STEP 8: We recommend using a winch (not provided) for raising and lowering the blade.

1-888-662-7569 (PLOW)

771 W. North Avenue West Chicago, IL 60185

www.nordicplow.com

5/16"



841
x4

1"

2"

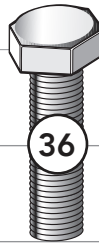
3"

4"



2625
x4

3/8"



43001
x14

1"

2"

3"

4"



43054
x4



43070
x16



44072
x16

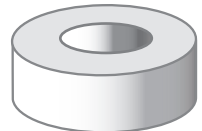
1/2"

40

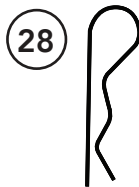


47398
x2

41

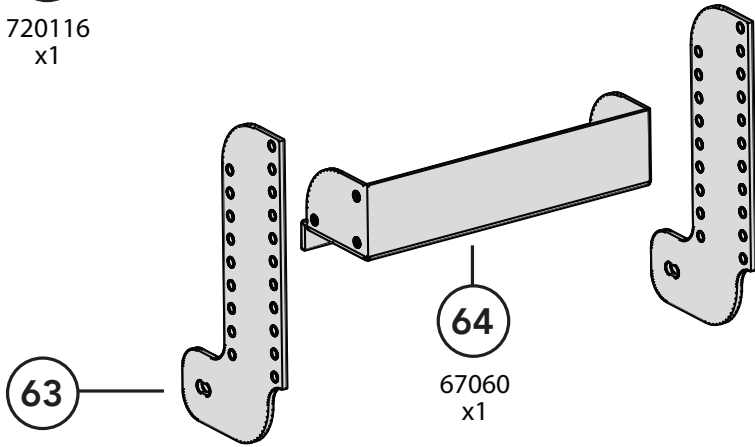


712-3083
x1



43343
x2

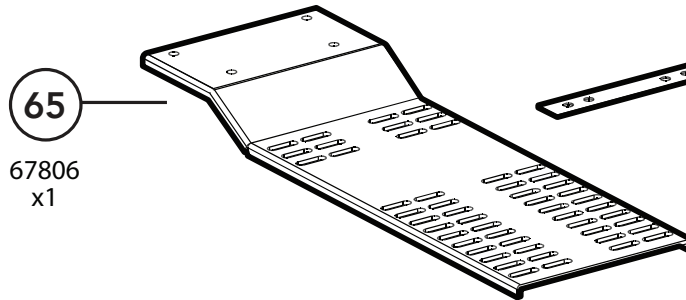
46
720116
x1



63
27538
x2

64
67060
x1

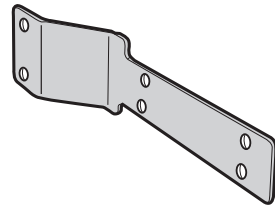
67
27536
x2



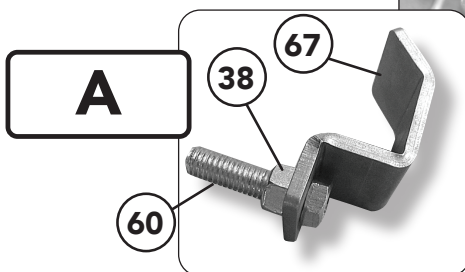
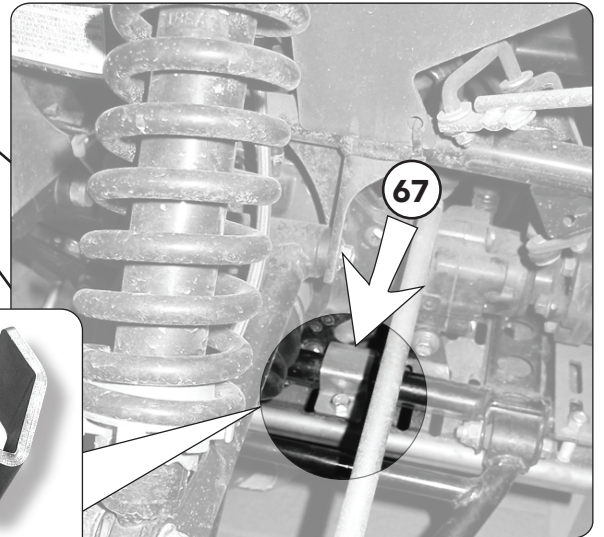
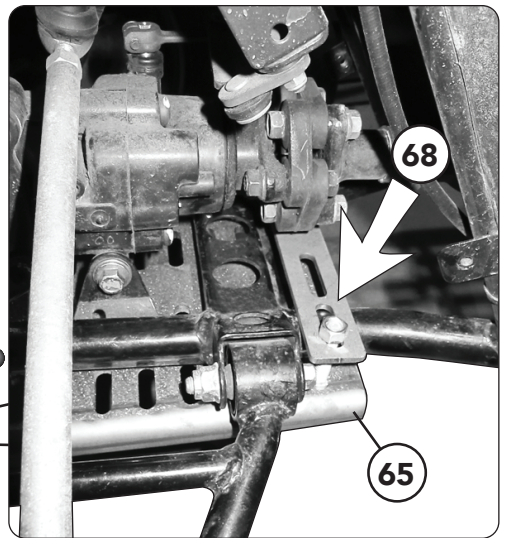
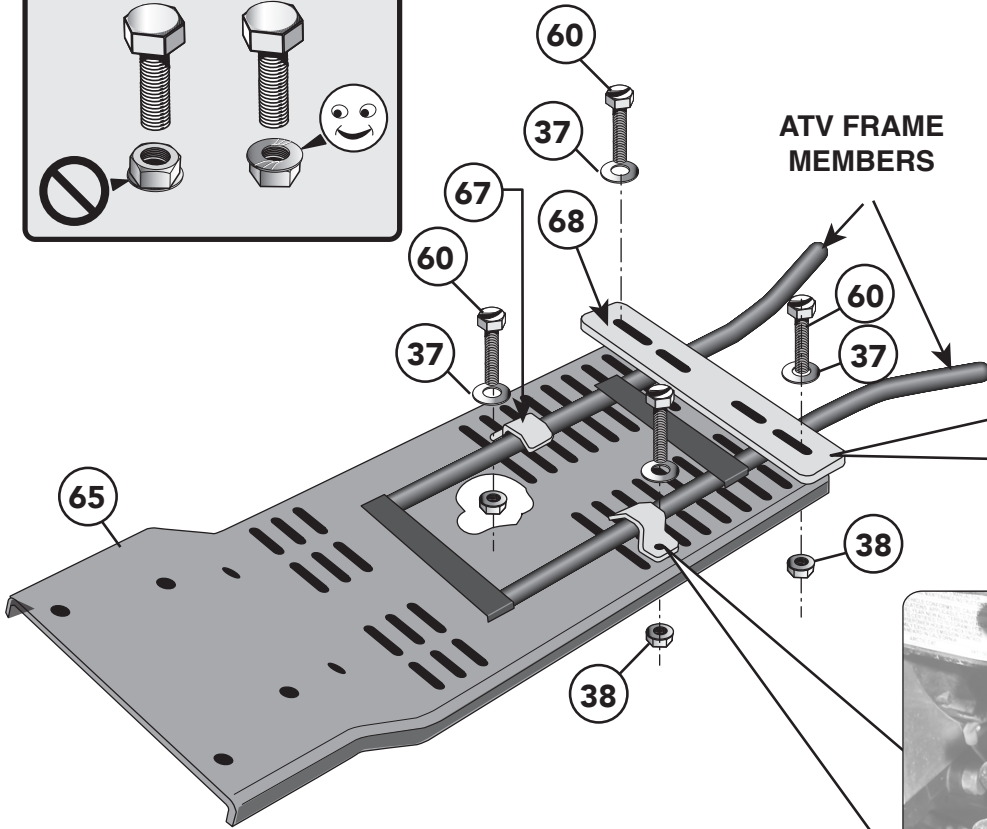
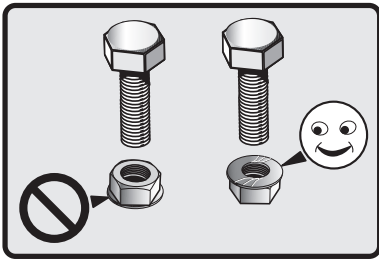
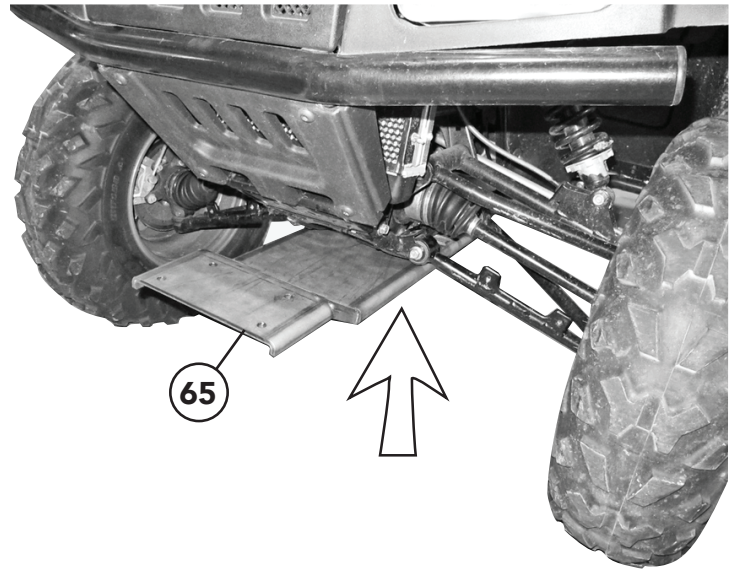
65
67806
x1

68
27535
x1

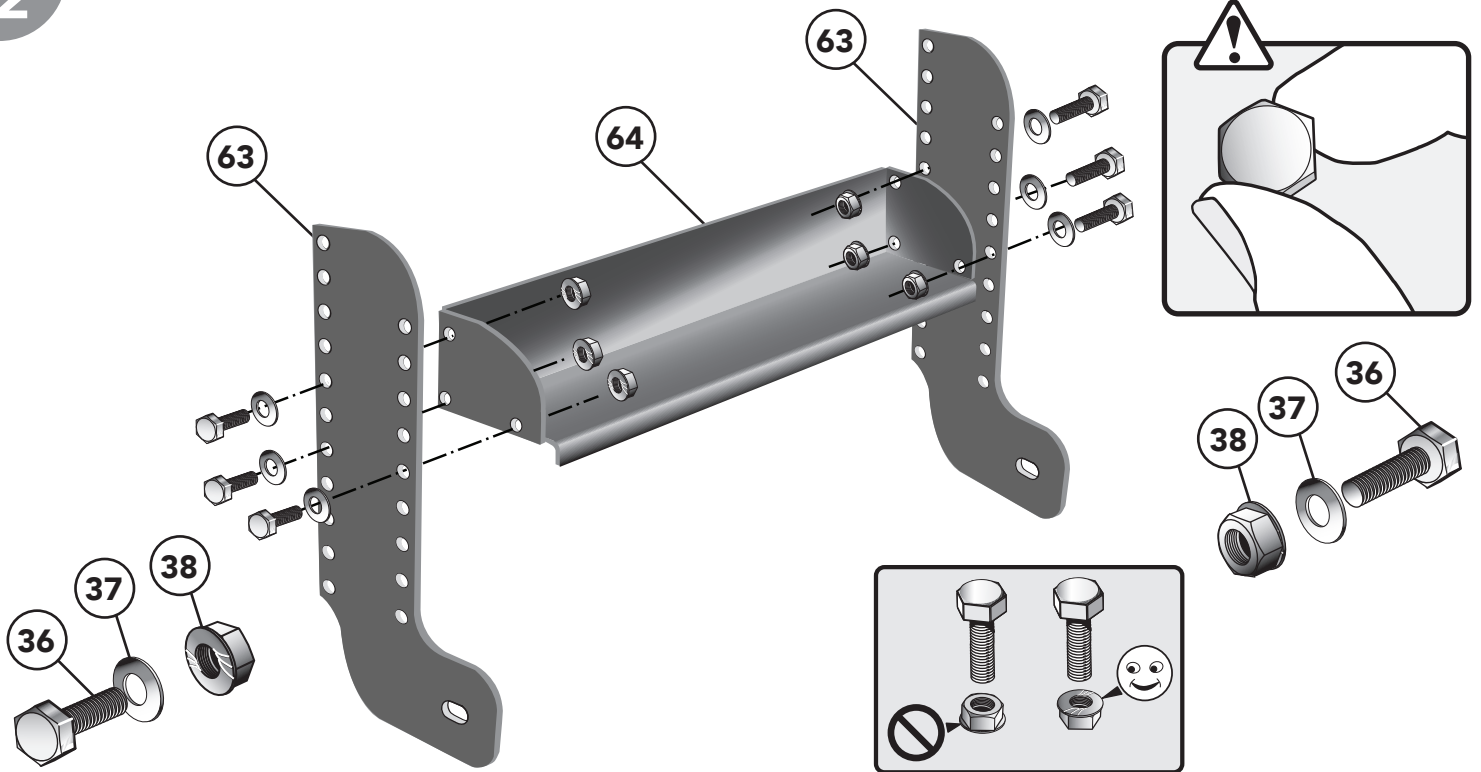
66
67806
x1



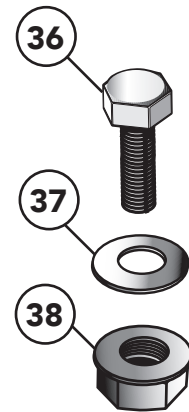
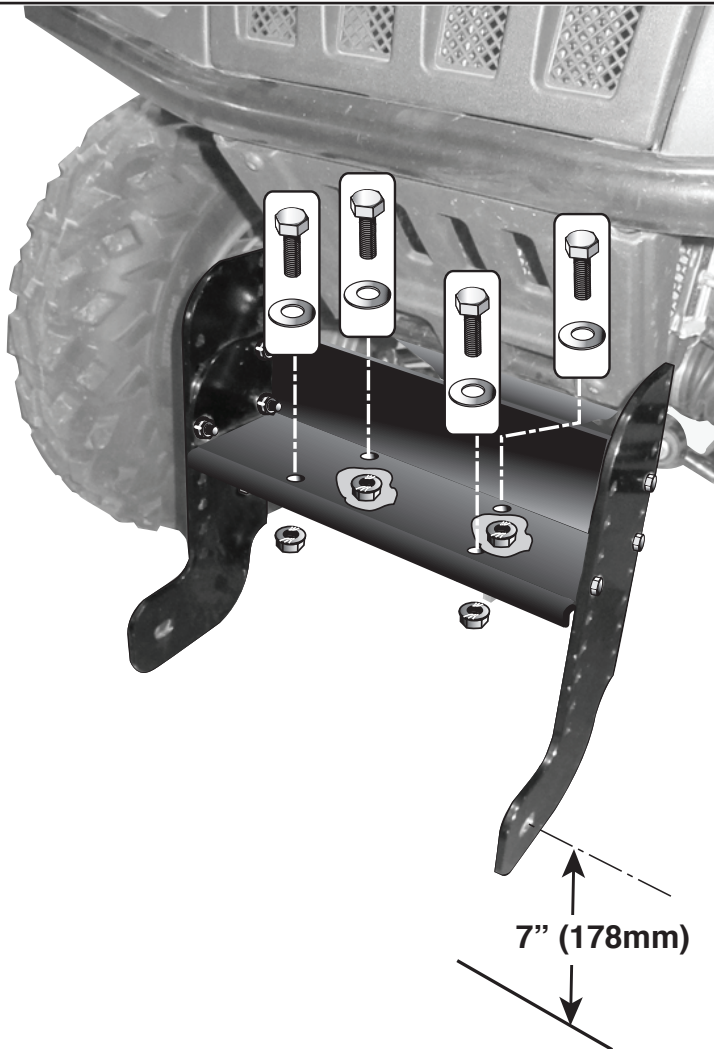
1

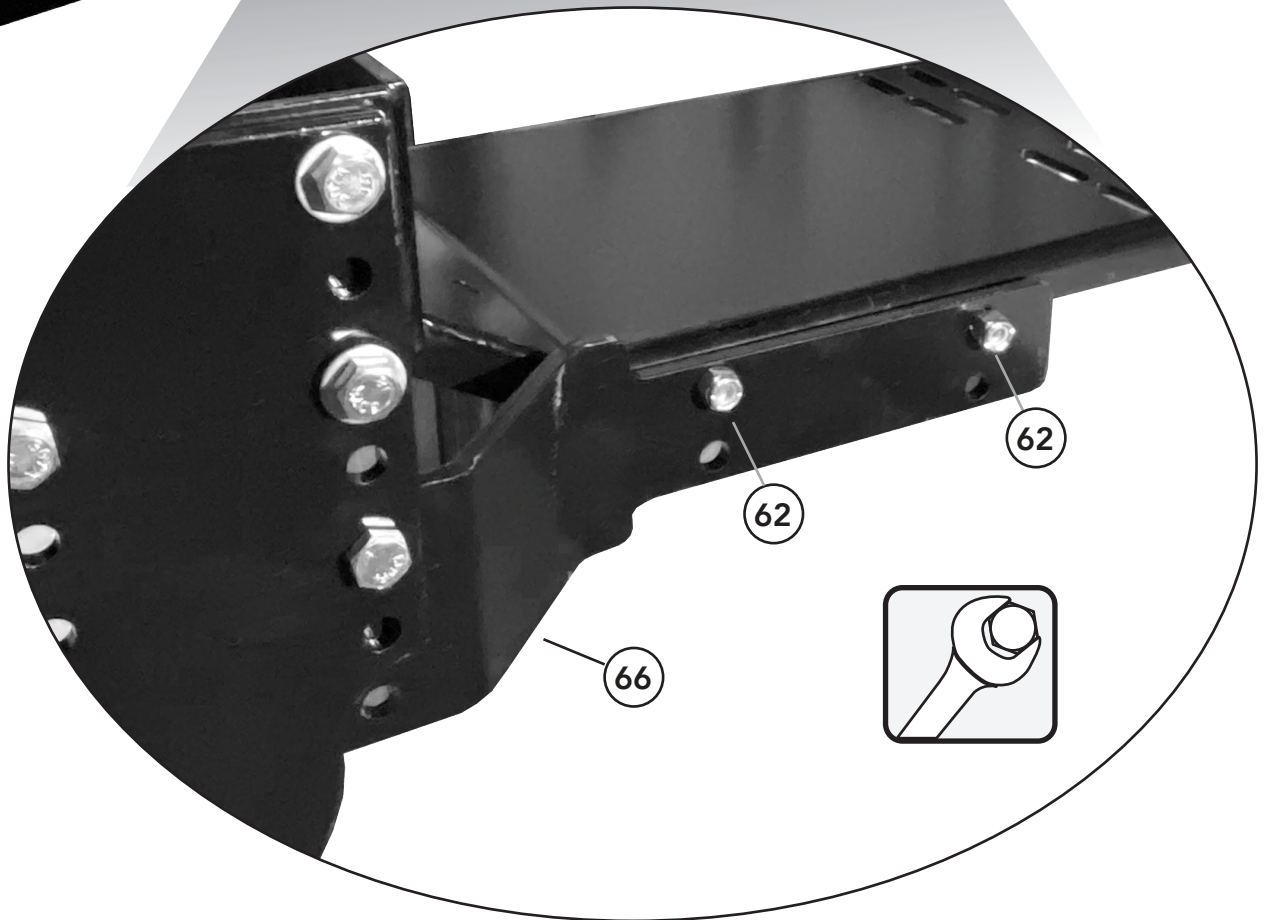
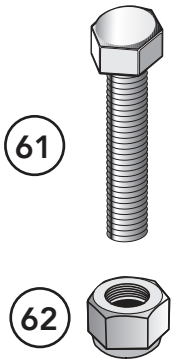
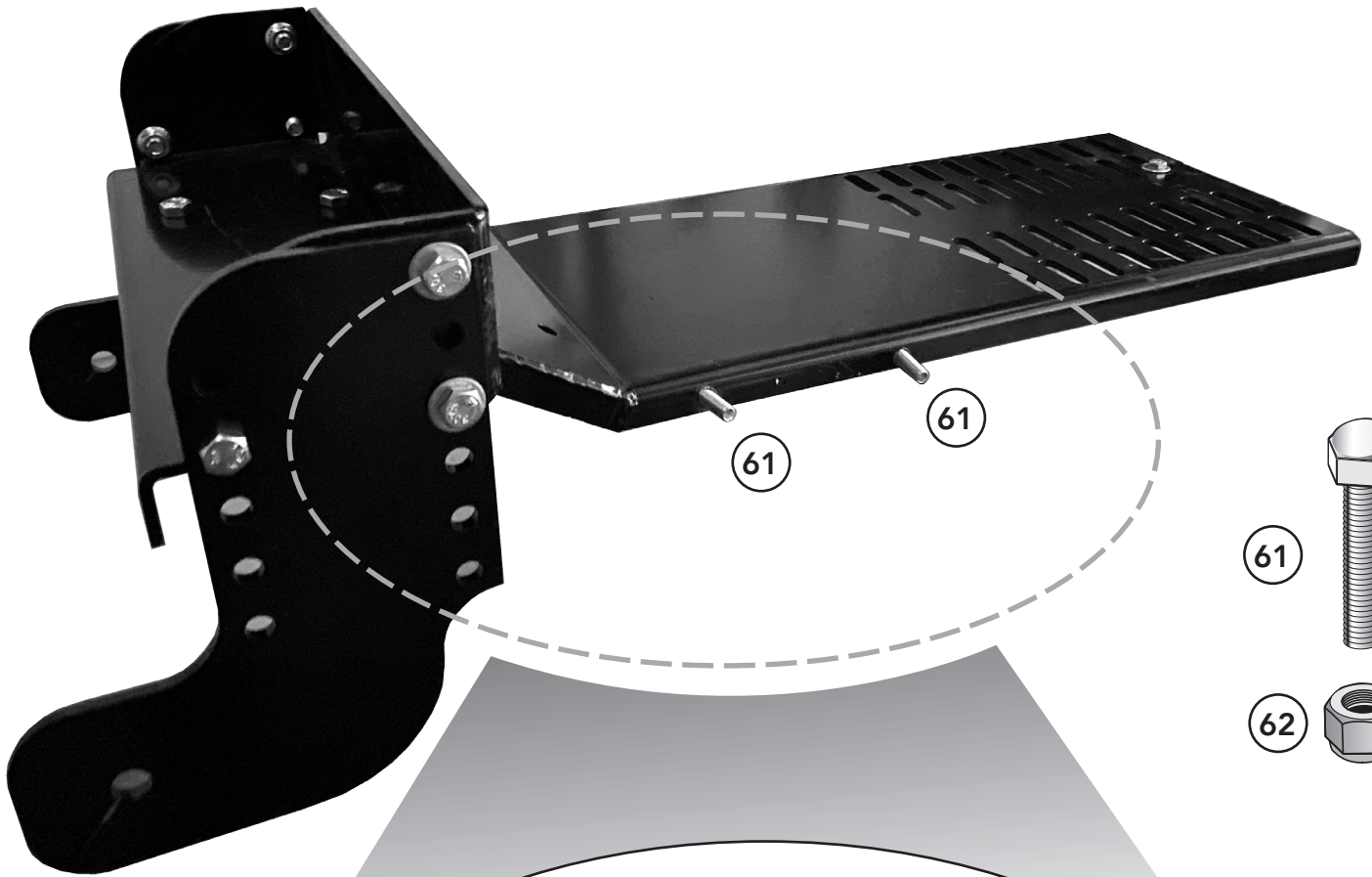


2

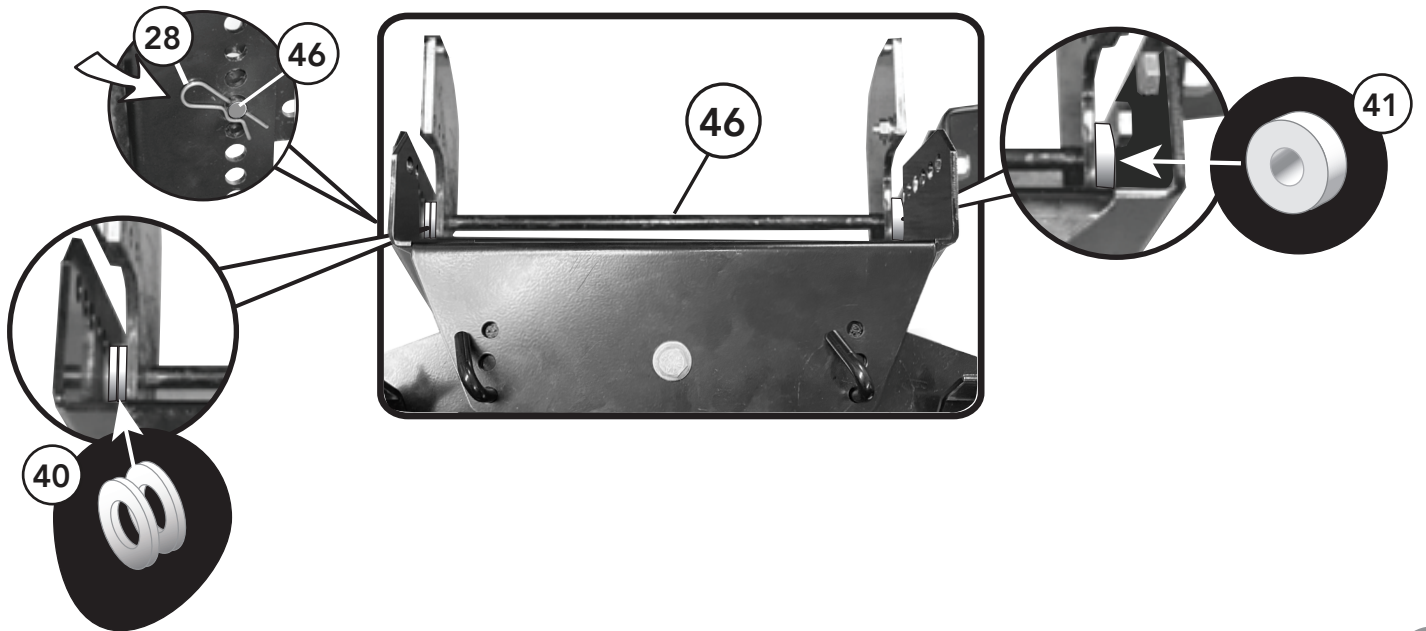
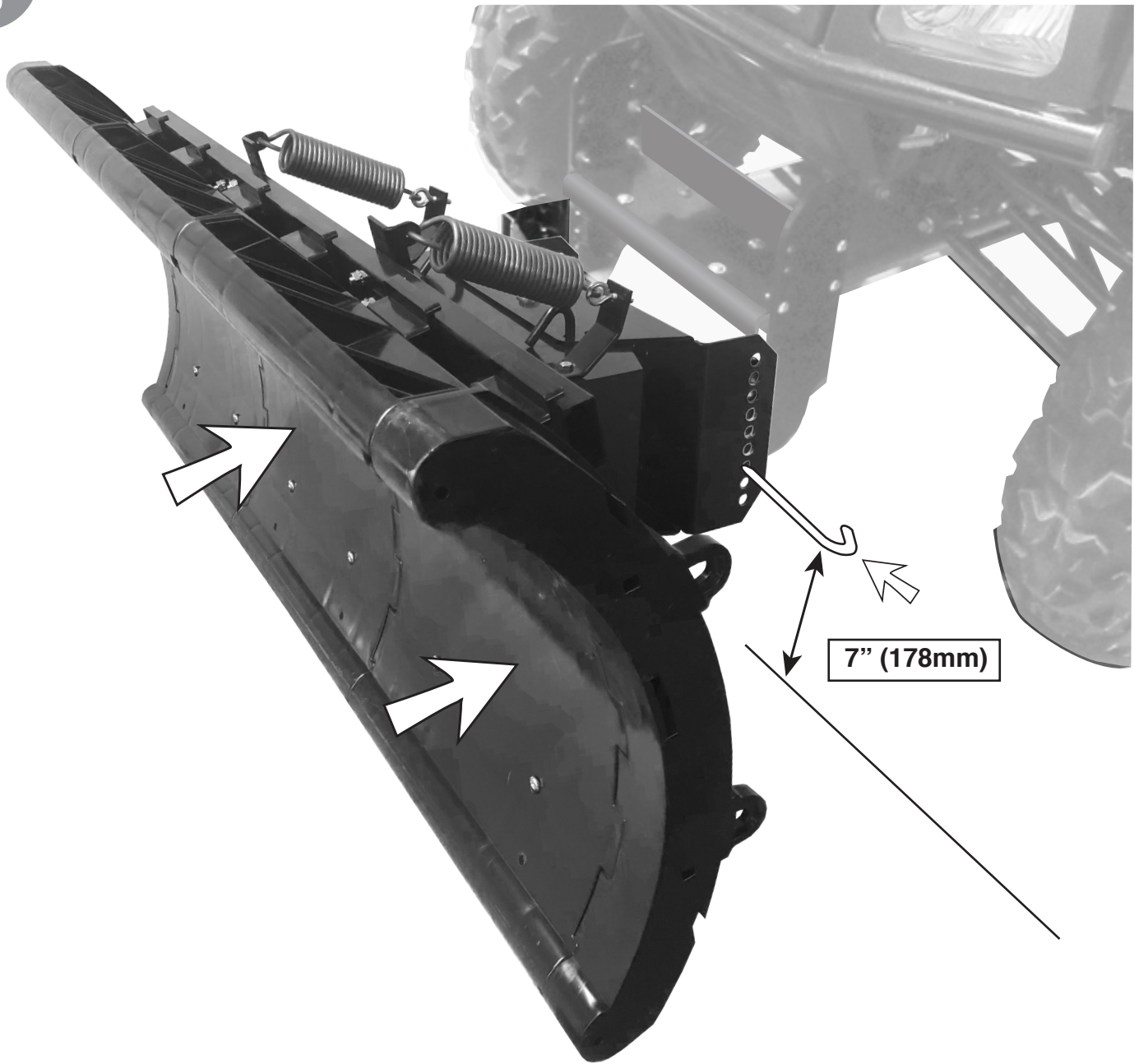


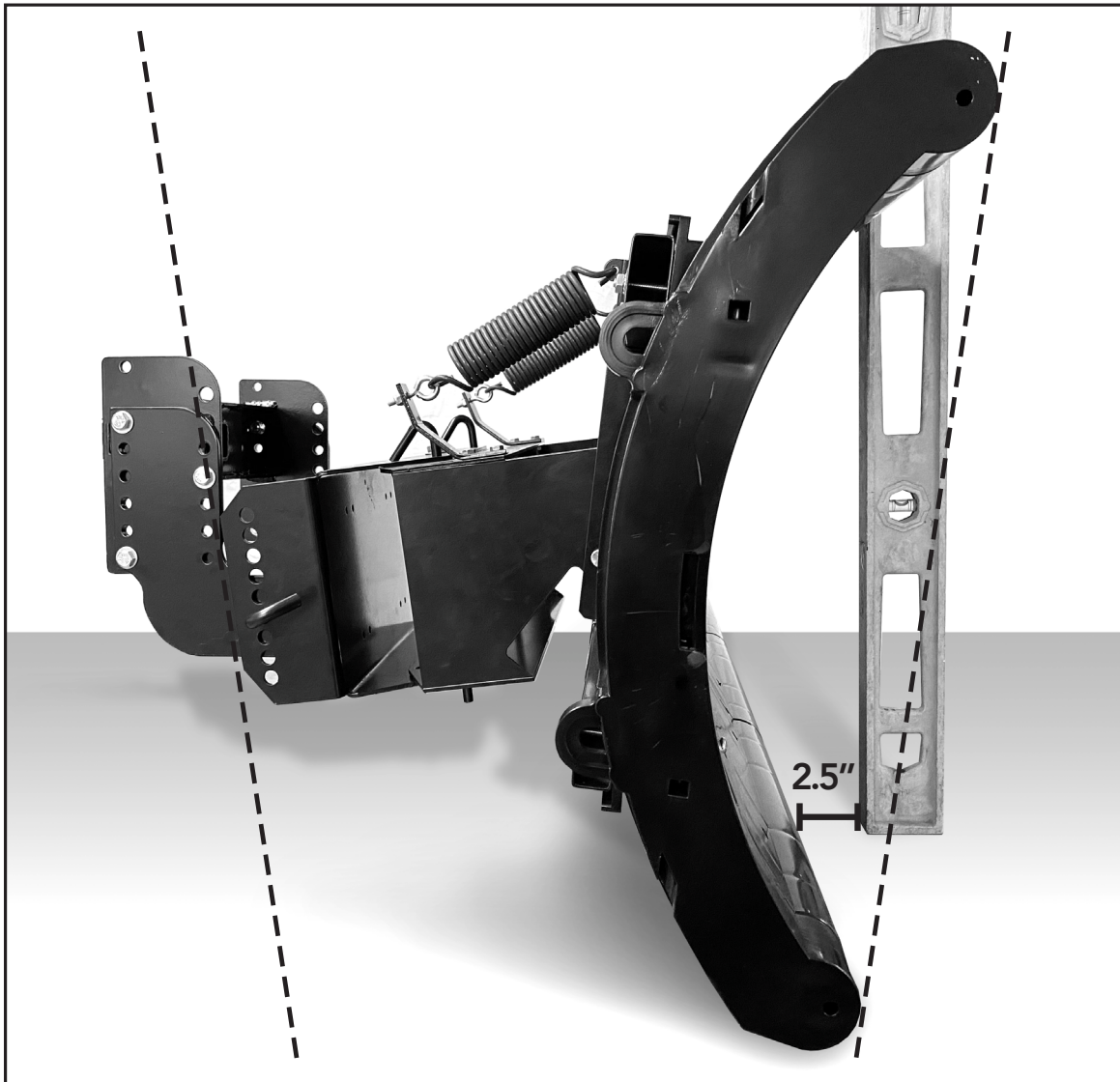
3





5



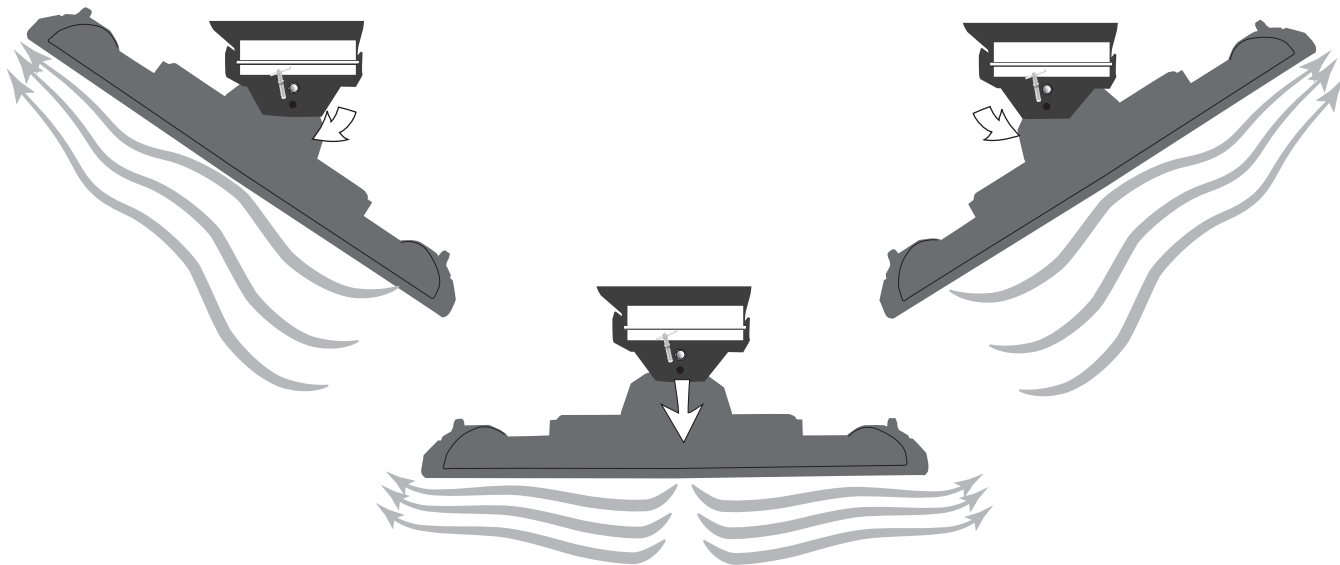
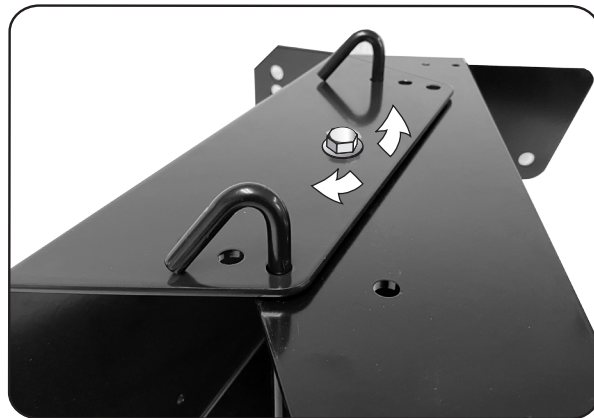


2.5"



ASSEMBLY
TIPS

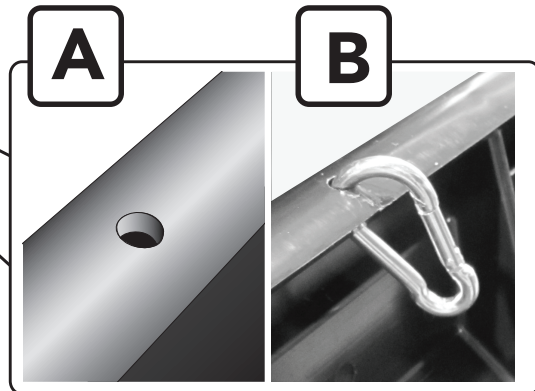
7



8



**NOTE:
USE ATV WINCH
TO RAISE AND
LOWER PLOW**



These instructions are for the 49" ATV Mounting Kit and are 2 of 2 packages.
The 49" Plow and its instructions are packaged and shipped separately.



1-888-662-7569 (PLOW) | 771 W. North Avenue, West Chicago, IL 60185 | www.nordicplow.com

© September 2020