

GROUNDBREAKING POWER EQUIPMENT

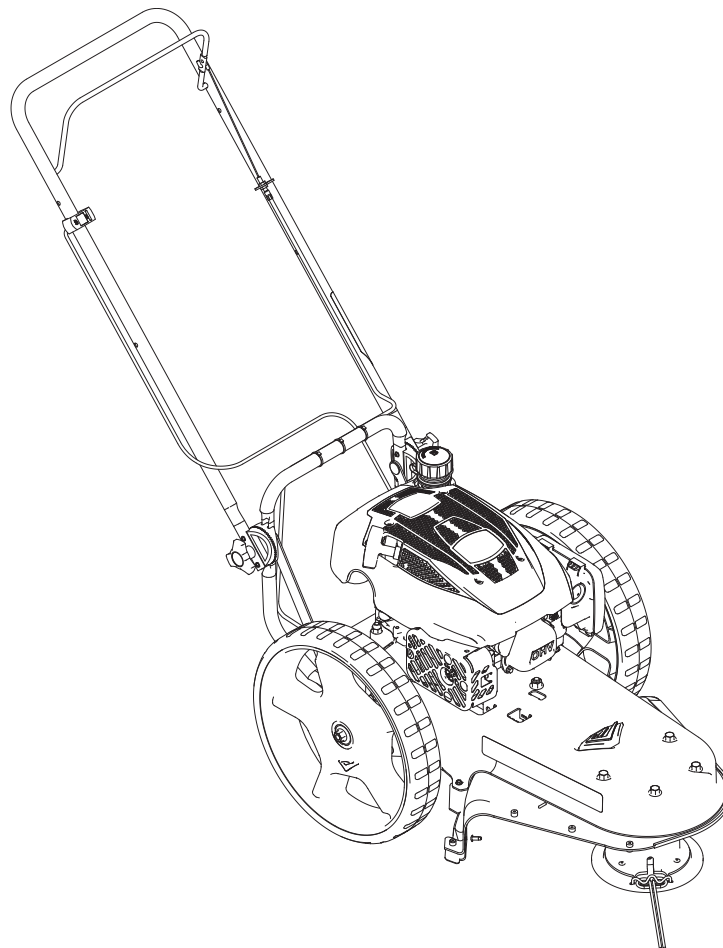
Operator Manual
Manuel de l'utilisateur

String Mower

Model Number, Numéros de modèle :
40314

ENGLISH

FRANÇAIS



Get parts or technical assistance online at
www.getearthquake.com or call (800) 345-6007
Pièces détachées et assistance technique en ligne à
www.getearthquake.com ou composer le (800) 345-6007

© 2022 Ardisam
All Rights Reserved
Tous droits réservés
P/N: 40581
ECN: 13426
REV 1: 12/22/21



THIS INSTRUCTION BOOKLET CONTAINS IMPORTANT SAFETY INFORMATION. PLEASE READ AND KEEP FOR FUTURE REFERENCE.
CE LIVRET D'INSTRUCTIONS CONTIENT DES INFORMATIONS IMPORTANTES SUR LA SÉCURITÉ. VEUILLEZ LE LIRE ET LE CONSERVER POUR TOUTE CONSULTATION EXTÉRIEURE.

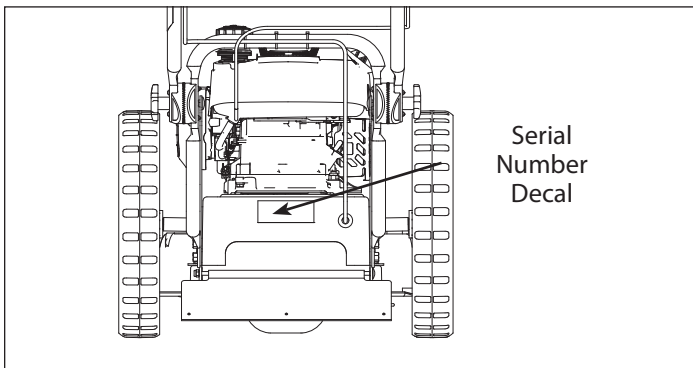


STOP! ACTIVATE YOUR WARRANTY BEFORE USE

All products must be registered *within 30 days* from the date of purchase in order to be covered under warranty. For more information regarding Warranty and Registration please review the Warranty and Registration terms and conditions expressed in the warranty insert.

REGISTRATION AND SERVICE

Excluding emissions-related warranty items, the warranty is valid only if the completed registration is received by Ardisam within 30 days of purchase. You can register your warranty online by visiting www.getearthquake.com. You may also call our Customer Service department at (800) 345-6007 Mondays through Fridays from 8 a.m. to 4:30 p.m. CST.



INTRODUCTION

Thank you for purchasing your product from Earthquake®. We have worked to ensure that this product meets the highest standards for usability and durability. With proper care, your purchase will provide many years of service.

Please read this entire manual before installation and use. Earthquake® reserves the right to change, alter or improve the product and this document at any time without prior notice. Due to continuous product improvements, product images may not be exact. Some assembly may be required.

Read and keep this manual for future reference. This manual contains important information regarding safety, assembly, operation and maintenance. The owner must be certain that all the product information is included with the unit. This information includes the manual, the replacement parts and the warranties. This information must be included to make sure state laws and other laws are followed. All persons to whom rent/loan this unit must have access to and understand this information. This manual should remain with the product even if it is resold.

CONTENTS

Introduction/Contents	2
Warnings and Safety Precautions.....	3-7
Features	7
Assembly	8-9
Operation	9-10
Maintenance and Storage.....	11-15
Troubleshooting and Repair.....	15-17



WARNING

▲ CALIFORNIA PROPOSITION 65 WARNING

THE ENGINE EXHAUST FROM THIS PRODUCT CONTAINS CHEMICALS KNOWN TO THE STATE OF CALIFORNIA TO CAUSE CANCER, BIRTH DEFECTS, OR OTHER REPRODUCTIVE HARM.

BATTERY POSTS, TERMINALS, AND RELATED ACCESSORIES CONTAIN LEAD AND LEAD COMPOUNDS, CHEMICALS KNOWN TO THE STATE OF CALIFORNIA TO CAUSE CANCER AND REPRODUCTIVE HARM. WASH HANDS AFTER HANDLING.

USE OF THIS PRODUCT MAY CAUSE EXPOSURE TO CHEMICALS KNOWN TO THE STATE OF CALIFORNIA TO CAUSE CANCER, BIRTH DEFECTS, OR OTHER REPRODUCTIVE HARM.

This machine is intended to be used by residential homeowners to trim grass as needed outdoors. Using this product for purposes other than its intended use could prove dangerous to you and bystanders.

Read this information carefully to learn how to operate and maintain your product properly and to avoid injury and product damage. You are responsible for operating the product properly and safely.

WARNINGS AND SAFETY PRECAUTIONS

OWNER'S RESPONSIBILITY

Accurate assembly and safe and effective use of the machine is the owner's responsibility.

- Read and follow all safety instructions.
- Carefully follow all assembly instructions.
- Maintain the machine according to directions and schedule included in this operator's manual.
- Ensure that anyone who uses the machine is familiar with all controls and safety precautions.

SPECIAL MESSAGES

Your manual contains special messages to bring attention to potential safety concerns, machine damage as well as helpful operating and servicing information. Please read all the information carefully to avoid injury and machine damage.

NOTE: *General information is given throughout the manual that may help the operator in the operation or service of the machine.*

- ⚠ This symbol points out important safety instructions which if not followed could endanger your personal safety. Read and follow all instructions in this manual before attempting to operate this equipment.

BEFORE OPERATING EQUIPMENT:

Please read this section carefully. Read entire operating and maintenance instructions for this product. Failure to follow instructions could result in serious injury or death. Operate the machine according to the safety instructions outlined here and inserted throughout the text. Anyone who uses this machine must read the instructions and be familiar with the controls.

NOTICE

NOTICE INDICATES YOUR EQUIPMENT CAN BE DAMAGED IF THE SAFETY INSTRUCTIONS THAT FOLLOW THIS SIGNAL WORD ARE NOT OBEYED.

IMPORTANT

IMPORTANT INDICATES HELPFUL INFORMATION FOR PROPER ASSEMBLY, OPERATION OR MAINTENANCE OF YOUR EQUIPMENT.

⚠ CAUTION

⚠ CAUTION INDICATES A HAZARD WHICH, IF NOT AVOIDED, COULD RESULT IN PERSONAL INJURY AND/OR PROPERTY DAMAGE.

⚠ WARNING

⚠ WARNING INDICATES A HAZARD WHICH, IF NOT AVOIDED, COULD RESULT IN DEATH OR SERIOUS INJURY AND/OR PROPERTY DAMAGE.

⚠ DANGER

⚠ DANGER INDICATES A HAZARD WHICH, IF NOT AVOIDED, CERTAINLY WILL RESULT IN DEATH OR SERIOUS INJURY AND/OR PROPERTY DAMAGE.

⚠ WARNING

⚠ YOU MUST READ, UNDERSTAND AND COMPLY WITH ALL SAFETY AND OPERATING INSTRUCTIONS IN THIS MANUAL BEFORE ATTEMPTING TO SETUP AND OPERATE YOUR MACHINE.

⚠ FAILURE TO COMPLY WITH ALL SAFETY AND OPERATING INSTRUCTIONS CAN RESULT IN LOSS OF MACHINE CONTROL, SERIOUS PERSONAL INJURY TO YOU AND/OR BYSTANDERS, AND RISK OF EQUIPMENT AND PROPERTY DAMAGE. THE TRIANGLE IN THE TEXT SIGNIFIES IMPORTANT CAUTIONS OR WARNINGS WHICH MUST BE FOLLOWED.

GENERAL SAFETY RULES

- Read, understand, and follow all instructions on the machine and in the manual(s). Be thoroughly familiar with the controls and the proper use of the machine before starting.
- Familiarize yourself with all of the safety and operating decals on this equipment and on any of its attachments or accessories.
- Do not put hands or feet near or under rotating parts.
- Only allow responsible individuals, who are familiar with the instructions, to operate the machine.
- Thoroughly inspect the area where the machine is to be used and remove all foreign objects. Your equipment can propel small objects at high speed causing personal injury or property damage. Stay away from breakable objects, such as house windows, automobile, greenhouses, etc.
- Keep the area of operation clear of all persons, particularly small children, and pets.
- Wear appropriate clothing such as a long-sleeved shirt or jacket. Also wear long trousers or slacks. Do not wear shorts.
- Do not wear loose clothing or jewelry. They can get caught in moving parts.
- Always wear safety goggles or safety glasses with side shields when operating machine to protect your eyes from foreign objects which can be thrown from the unit.
- Always wear work gloves and sturdy footwear. Wear footwear that will improve footing on slippery surfaces. Leather work shoes or short boots work well for most people. These will protect the operator's ankles and shins from small sticks, splinters, and other debris.
- It is advisable to wear protective headgear to prevent the possibility of being struck by small flying particles, or being struck by low hanging branches, twigs, or other objects which may be unnoticed by the operator.
- Do not operate the machine without proper guards or other safety protective devices in place.
- Use this equipment for its intended purpose only.
- See manufacturer's instructions for proper operation and installation of accessories. Only use accessories approved by the manufacturer.
- Operate only in daylight or good artificial light.
- Do not operate product when fatigued or under the influence of alcohol, drugs or other medication which can cause drowsiness or affect your ability to operate this machine safely.
- Never operate machine in wet grass. Always be sure of your footing; keep a firm hold on the handle and walk; never run.
- Before each use, inspect the throttle control lever and cable. Make sure that the cable is free and that the lever is not damaged. Also check the cable linkage running to the carburetor for kinks, loose fittings, and obstructions. Verify that the control bail is working properly.
- Stop the rotating machine head when crossing gravel drives, walks, or roads. Wait for the cutting lines to stop rotating.
- Watch for traffic when operating near, or when crossing roads.
- Stop the engine whenever you leave the equipment, before cleaning, repairing or inspecting the unit, be sure the machine head and all moving parts have stopped. Let the engine cool, disconnect the spark plug wire and move it away from the spark plug.
- If the equipment should start to vibrate abnormally, stop the engine, disconnect the spark plug wire and prevent it from touching the spark plug. Check immediately for cause. Vibration is generally a warning of trouble.
- After striking a foreign object, stop the engine. Remove the wire from the spark plug. Inspect the machine for damage. If damaged, repair before starting and operating the mower.
- Never leave the machine unattended when the engine is running. Remove the wire from the spark plug.
- Regularly inspect the machine. Make sure parts are not bent, damaged or loose.
- Allow muffler and engine areas to cool before touching. Never pick up or carry the machine while the engine is running.
- Prolonged exposure to noise and vibration from gasoline engine powered equipment should be avoided. Take intermittent breaks and/or wear ear protection from engine noise as well as heavy work gloves to reduce vibration in the hands.
- Check local regulations for age restrictions on use of this machine.

- If the noise or vibrations of the machine increase, stop immediately and perform an inspection.
- The fuel used in this machine is considered extremely flammable and should be handled with care. When storing extra fuel be sure that it is in an appropriate container and away from any fire hazards.

SLOPE OPERATION

Slopes are a major factor related to slip and fall accidents which can result in severe injury. All slopes require extra caution. If you feel uneasy on a slope, do not mow it. Do mow across the face of slopes; never up and down. Do not mow excessively steep slopes (maximum 15 degrees) or areas where the ground is very rough. See the "Slope Guide" in the back of this manual to check a slope. Exercise extreme caution when changing direction on slopes.

- Remove objects such as rocks, tree limbs, etc.
- Watch for holes, ruts, or bumps. Tall grass can hide obstacles.
- Do not mow near drop-offs, ditches, or embankments. The operator could lose footing or balance.
- Do not mow excessively steep slopes.
- Do not mow on wet grass. Reduced footing could cause slipping.

CHILDREN

Tragic accidents can occur if the operator is not alert to the presence of children. Children are often attracted to the mower and the mowing activity. Never assume that children will remain where you last saw them.

- Keep children out of the mowing area and under the watchful care of a responsible adult.
- Be alert and turn machine off if children enter the area.
- Before and while moving backwards, look behind and down for small children.
- Never allow children to operate the machine.
- Use extra care when approaching blind corners, shrubs, trees, or other objects that may obscure vision.

SERVICE

- Use extra care in handling gasoline and other fuels. They are flammable and vapors are explosive.
- Use only an approved container.

- Never remove gas cap or add fuel with the engine running. Allow engine to cool before refueling. Do not smoke while refueling.
- Fill fuel tank outdoors with extreme care. Never fill fuel tank indoors or near appliances with pilot lights, heaters, or other ignition sources. Replace fuel cap securely. If fuel is spilled, do not start the engine but move product and fuel container from area. Clean up spilled fuel and allow to evaporate.
- Never store the machine or fuel container inside where there is an open flame (such as a water heater), or other ignition source.
- If the fuel has to be drained, this should be done outdoors. The drained fuel should be stored in a container specifically designed for fuel storage or it should be disposed of carefully.
- Engines give off carbon monoxide, an odorless, colorless, poison gas. Breathing carbon monoxide can cause nausea, fainting or death. Always start and run engine outdoors. Do not start or run engine in an enclosed area, even if doors or windows are open.
- Never make adjustments or repairs with the engine (motor) running. Disconnect the spark plug wire, and keep the wire away from the plug to prevent accidental starting (remove the ignition key if equipped with an electric start). Always wear eye protection when you make adjustments or repairs.
- Check the mower head and engine mounting bolts at frequent intervals for proper tightness.
- Keep all nuts and bolts tight and keep equipment in good condition. Check mounting hardware on mower head every time you change mower line and prior to each use.
- Never tamper with safety devices. Check their proper operation regularly.
- When servicing or repairing the mower, do not tip the machine over or up unless specifically instructed to do so in this manual. Service and repair procedures can be done with the mower in an upright position. Some procedures will be easier if the machine is lifted on a raised platform or working surface.
- To reduce fire hazard, keep machine free of grass, leaves, or other debris build-up. Clean up oil or fuel spillage. Allow mower to cool before storing.
- Stop and inspect the equipment if you strike an object. Repair, if necessary, before restarting.

- Always disconnect spark plug wire before cleaning, repairing, or adjusting.
- Do not change the engine governor setting or over-speed the engine.
- Clean and replace safety and instruction decals as necessary.
- To guard against engine over-heating, always have engine debris filter mounted and clean.
- Inspect mower before storage. When not in use, disconnect spark plug lead and store indoors in a dry place locked or otherwise inaccessible to children.
- Use only original equipment or authorized replacement parts.
- Never replace the cutting lines with metal parts.
- When storing gasoline or equipment with fuel in the tank, store away from furnaces, stoves, water heaters or other appliances that have a pilot light or other ignition source because they can ignite gasoline vapors.

SAFETY DECALS AND WARNINGS

Pictured below are safety and hazard symbols on the unit or in this manual. Before you operate your unit, learn and understand the purpose for each symbol.



Avoid Serious Injury Or Death.

Read And Follow Owner's Manual. Do Not Operate When Children Or Others Are Around. Remove Objects That Could Be Thrown By The Cutting Lines. Do Not Service Or Adjust Cutting Head Or Other Moving Parts, Unless Engine Is Stopped And Spark Plug Wire Is Disconnected. Wear Safety Approved Eye Protection When Operating. Go Across Slopes, Not Up And Down. Keep Safety Devices, Such As Guards And Deflectors In Place And Operating. Look Down And Behind Before And While Moving Backwards.

Danger de blessure grave ou de mort.

Lire et suivre le manuel de l'utilisateur. Ne pas utiliser en présence d'enfants ou autres personnes. Enlever les objets susceptibles d'être projetés par les lignes de coupe. Ne pas effectuer l'entretien ou le réglage de la tête de coupe ou d'autres pièces en mouvement avant d'avoir coupé le moteur et débranché le câble de bougie. Porter une protection oculaire homologuée pour la sécurité durant l'utilisation. Traverser les pentes latéralement, pas de haut en bas. Maintenir les dispositifs de sécurité, tels que les carters de protection et les déflecteurs, en place et en état de marche. Regarder vers le bas et l'arrière avant et durant les déplacements en marche arrière.



- A: Warning!
- B: Read Owner's Manual Before Operating Machine.
- C: Do Not Operate While Others Are Around.
- D: Remove Objects that Could Be Thrown By This Machine.
- E: Never Operate Machine Up and Down Slopes, ALWAYS Operate Mower Across Slopes.
- F: Beware of Moving and Rotating Parts.
- G: Wear Ear and Eye Protection At All Times.
- H: Do Not Service or Adjust Moving Parts Unless Engine is Stopped and Spark Plug Wire is Disconnected.
- I: Direction of Rotating Mower Lines.
- J: Toxic Fumes—Do Not Operate in Unventilated Areas.
- K: Hot Surfaces.
- L: Fire Hazards.
- M: Do Not Use In Thunderstorms—For severe weather, stop operation of this machine and seek shelter.
- N: Team Lift—For your safety, always have at least two people when lifting this machine.
- O: Never Fit Metal Cutting Parts—Do not attach any metal parts to the cutting head of this machine.
- P: Do Not Operate When Children Or Others Are Around.

⚠ WARNING

⚠ COMBUSTIBLE DEBRIS CAN CATCH FIRE. IT IS A VIOLATION OF CALIFORNIA PUBLIC RESOURCE CODE, SECTION 4442, TO USE OR OPERATE ENGINE-POWERED PRODUCTS ON ANY FOREST-COVERED, BRUSH-COVERED, OR GRASS-COVERED LAND UNLESS THE EXHAUST SYSTEM IS EQUIPPED WITH A SPARK ARRESTER, AS DEFINED IN SECTION 4442, MAINTAINED IN EFFECTIVE WORKING ORDER. OTHER STATES OR FEDERAL JURISDICTIONS MAY HAVE SIMILAR LAWS. CONTACT THE ORIGINAL EQUIPMENT MANUFACTURER, RETAILER, OR DEALER TO OBTAIN A SPARK ARRESTER DESIGNED FOR USE WITH THIS PRODUCT.

SPECIFICATIONS

<i>Mower Line Diameter</i>	0.155 Inches
<i>Mower Line Length</i>	21.5 Inches
<i>Mower Cutting Diameter</i>	22 Inches
<i>Wheel Diameter</i>	14 Inches

FEATURES

Read this owner's manual and safety rules before operating your mower. Take time to compare the following illustration with the mower to familiarize yourself with the product and its controls. **SEE FIGURE 1.**

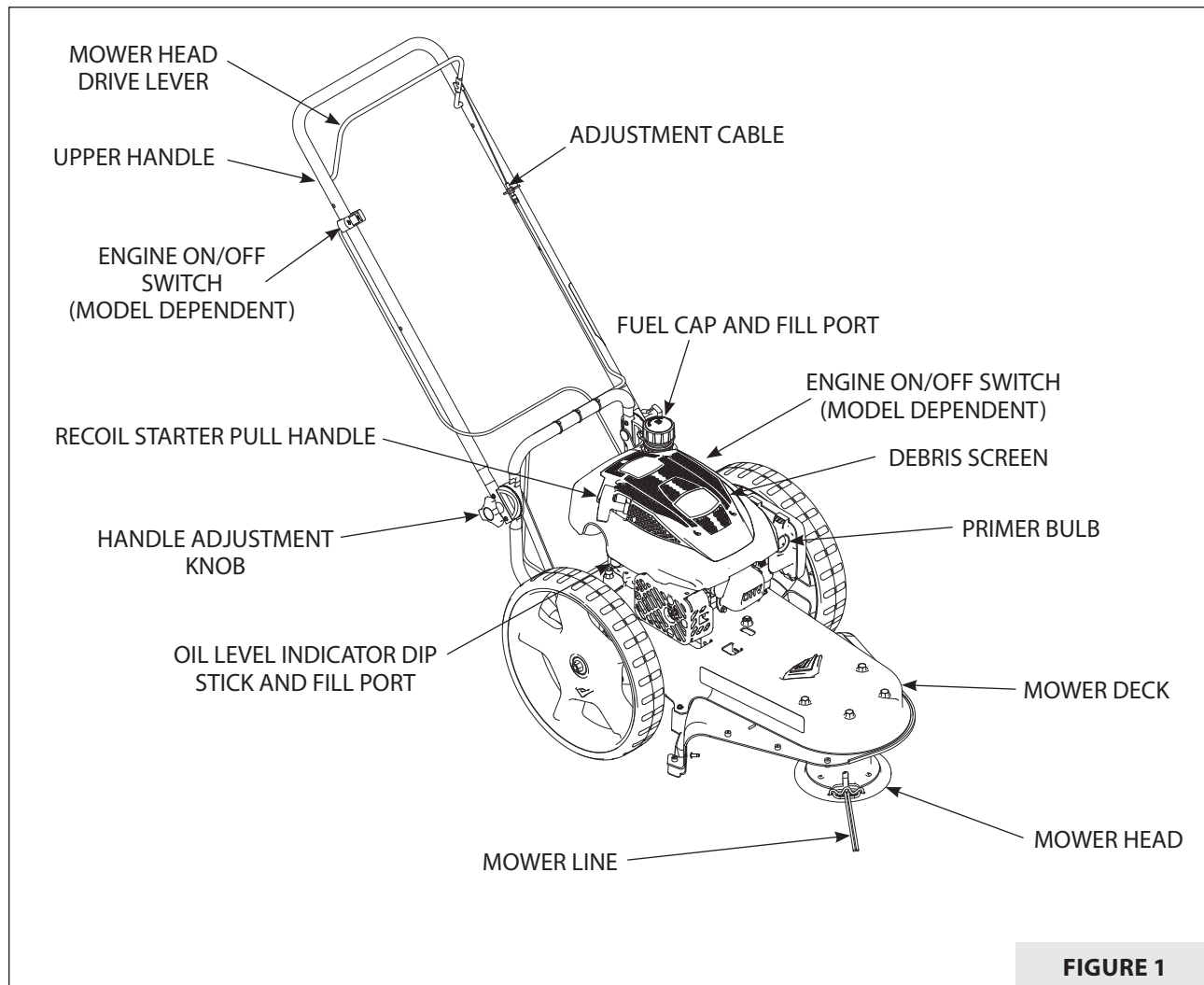


FIGURE 1

UNPACKING AND ASSEMBLY

WARNING

- ▲ USE THE CORRECT PERSONAL PROTECTION. WEAR SAFETY GLASSES OR EYE SHIELDS WHILE ASSEMBLING OR OPERATING THE STRING MOWER.
- ▲ REMOVE SPARK PLUG WIRE FROM SPARK PLUG BEFORE DOING ANY ASSEMBLY OR MAINTENANCE TO THE STRING MOWER

TO REMOVE THE MOWER FROM THE CARTON

1. Remove any of the loose parts in packaging, including the parts bags, from the carton.
2. Remove the packing material positioned around the unit.
3. Cut down all four corners of the carton and lay the side panels flat.
4. Pull the mower out of the carton. **SEE FIGURE 2.**

HOW TO RAISE THE HANDLE

1. Hold the handle with one hand and loosen both handle adjustment knobs until the ratchet teeth are disengaged. Do not remove the handle adjustment knobs.
2. Raise the handle to the operating position.
3. Stand in the operator's position behind the mower. Put the handle in a comfortable position. Make sure both sides of the handle are level.

NOTE: Make sure the cables are not caught between the upper and lower handle.

4. Tighten the handle adjustment knobs. Make sure the handle pivots are locked in place. **SEE FIGURE 3.**

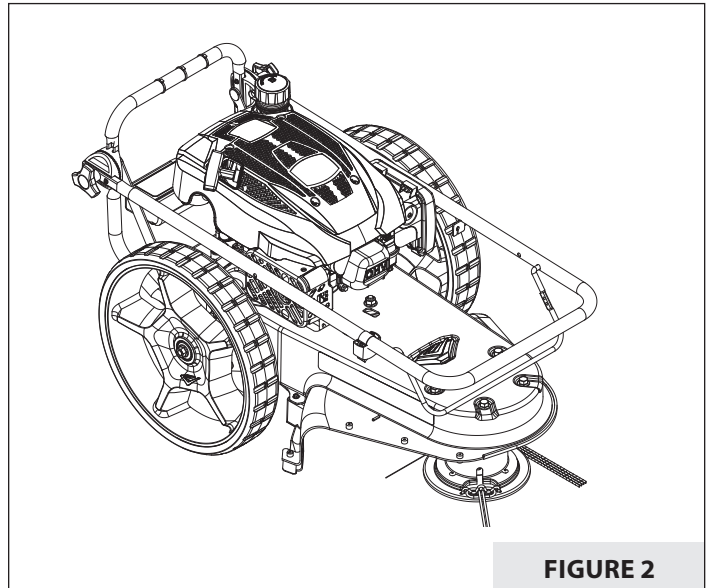


FIGURE 2

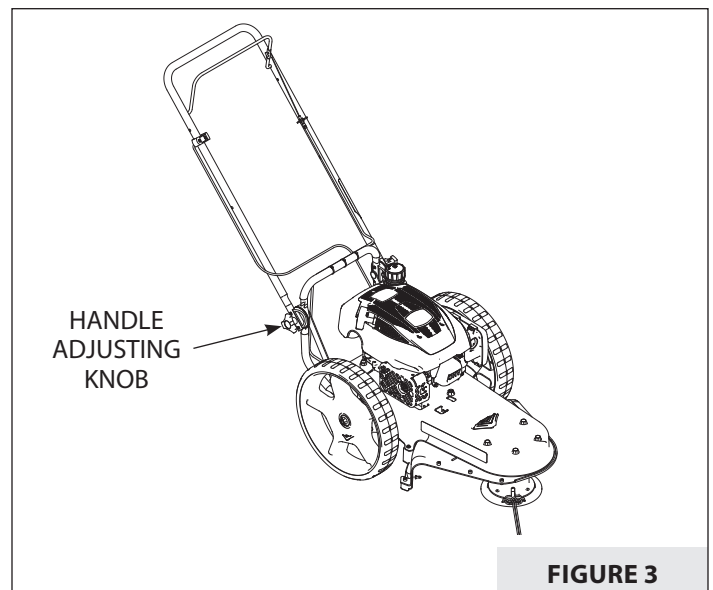


FIGURE 3

WARNING

- ▲ BE CAREFUL AROUND MOVING PARTS. THE MOWER HEAD WILL CONTINUE TO ROTATE FOR SEVERAL SECONDS AFTER THE ENGINE HAS STOPPED.

⚠ WARNING

- ⚠ FOLLOW THE ENGINE MANUFACTURER'S INSTRUCTIONS FOR THE TYPE OF GASOLINE AND OIL TO USE.
- ⚠ ALWAYS USE A SAFETY GASOLINE CONTAINER. DO NOT SMOKE WHEN ADDING GASOLINE TO THE ENGINE.
- ⚠ WHEN INSIDE AN ENCLOSURE, DO NOT FILL WITH GASOLINE. BEFORE YOU ADD GASOLINE, STOP THE ENGINE. LET THE ENGINE COOL FOR SEVERAL MINUTES.

ENGINE PREPARATION

See the engine manufacturer's instructions for the type of gasoline and oil to use. Before you use the unit, read the information on safety, operation, maintenance, and storage.

NOTE: Engine does not contain OIL or GASOLINE when shipped from the factory. You must service the engine before operation.

FILL CRANKCASE WITH OIL

1. Remove the oil dipstick. Fill the crankcase to the **FULL** line on dipstick. **DO NOT OVERFILL. SEE FIGURE 4.**
2. Install the oil dipstick and tighten securely.

FILL FUEL TANK WITH GASOLINE

See the engine manufacturer's instructions for the type of gasoline to use.

OPERATION

HOW TO STOP THE MOWER HEAD

Release the control lever. It will return to its open position and disengage the mower head.

HOW TO STOP THE ENGINE

Set the ON/OFF Switch to the OFF position.

HOW TO USE THE MOWER HEAD CONTROL LEVER

1. To engage the mower head, hold the control lever against the handle. The faster the engine runs, the faster the mower head will rotate. **SEE FIGURE 5.**
2. Once the mower head is rotating, push the mower forward to mow.

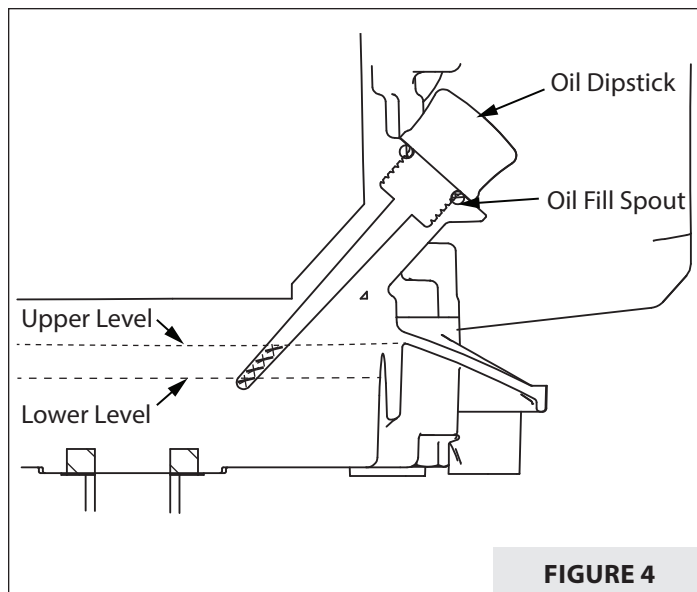


FIGURE 4

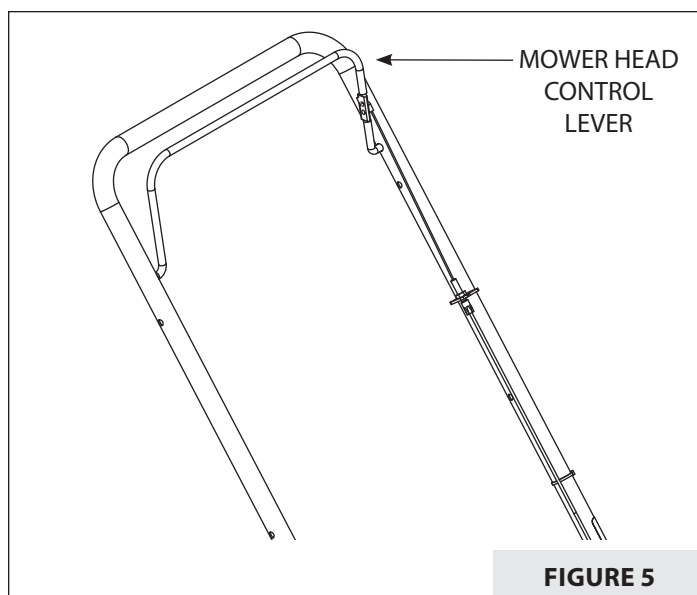


FIGURE 5

⚠ CAUTION

- ⚠ IMPROPER TREATMENT OF THE STRING MOWER CAN DAMAGE IT AND SHORTEN ITS LIFE.
- ⚠ DO NOT ATTEMPT TO CRANK OR START THE ENGINE BEFORE IT HAS BEEN PROPERLY SERVICED WITH THE RECOMMENDED OIL. THIS MAY RESULT IN AN ENGINE FAILURE.

ENGINE THROTTLE CONTROL

The engine throttle speed is a factory setting. It is designed to ensure proper speed of your string mower during all operating conditions.

HOW TO USE THE PRIMER BULB

1. Push the primer bulb three times. Wait approximately two seconds between each push. **SEE FIGURE 6.**

NOTE: Do not use the primer bulb to restart a warm engine after a short shutdown. Over priming can cause the engine to flood.

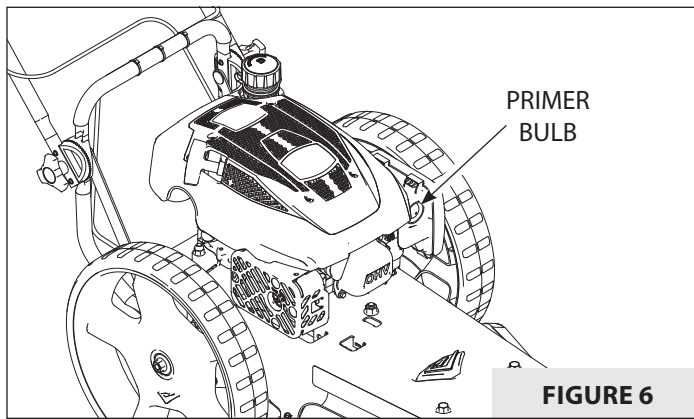


FIGURE 6

HOW TO START THE ENGINE

NOTE: Your engine will smoke the first time it is started. It is burning off the protective coating that is on the internal engine parts.

1. Before each use, remove debris from the debris screen. **SEE FIGURE 1 IN "FEATURES" SECTION.** Debris can cause the engine to overheat. Wipe the debris screen with a cloth or paper towel.
2. Set ON/OFF Switch to ON.
3. To start a cold engine, push the primer bulb three times. Wait two seconds between each push of the primer bulb. **SEE FIGURE 6.**
NOTE: Do not use the primer to start a warm engine.
4. Firmly hold the recoil starter handle with your right hand.
5. Pull back sharply on the recoil starter handle.

NOTE: Do not allow the starter rope to snap back. Let the starter rope slowly rewind as you hold the recoil starter handle.

TIP: If the engine fails to start after three pulls, push the primer bulb two times and pull the recoil starter handle again.

MOWER TIPS

- If the weeds or grass are tall and thick, operate the mower at a slower walking speed.
- Frequently clean the underside of the mower to remove any grass build up. See the "Maintenance, Service and Storage" section for details.
- For best results and longer lasting line, use the ends of the line to do the cutting. This is easily done by moving slowly through very thick or heavy weeds.
- If the mower lines become too short, it will take longer to complete the job. If the mower lines are worn to less than half their original length, change to a new mower line. See more on how to replace the mower line in the "Maintenance, Service and Storage" section.
- Do not mow on excessively steep slopes. If a slope is difficult to stand on, do not mow. Do not mow on slopes when the ground is slippery or wet. Mow across the face of a slope, not up and down.
- Mower head contact to concrete, asphalt and harder surfaces may create premature wear to the height guide.

WARNING

- ⚠ DO NOT LEAVE THE STRING MOWER UNATTENDED WHILE THE ENGINE IS RUNNING. WAIT FOR THE MOWER LINES TO STOP ROTATING.**
- ⚠ NEVER RUN THE ENGINE INDOORS OR IN A POORLY VENTILATED AREA. ENGINE EXHAUST CONTAINS CARBON MONOXIDE, AN ODORLESS AND DEADLY GAS. KEEP HANDS, FEET, HAIR AND LOOSE CLOTHING AWAY FROM THE MOWER AND ANY MOVING PARTS ON THE ENGINE. AVOID TOUCHING THE MUFFLER AND SURROUNDING AREAS. TEMPERATURES MAY EXCEED 150 DEGREES FAHRENHEIT.**
- ⚠ DEBRIS SUCH AS STICKS, GRAVEL OR ROCKS CAN BE THROWN WITH SUFFICIENT FORCE TO CAUSE PERSONAL INJURY OR PROPERTY DAMAGE.**

MAINTENANCE, SERVICE, AND STORAGE

NOTE: Maintenance, replacement or repair of the emissions control devices and systems may be performed by any non-road engine repair establishment or individuals. However, items must be serviced by an authorized dealer to obtain “no charge” emissions control service. Good maintenance is essential to help reduce air pollution and for safe, economical and trouble-free operation.

MAINTENANCE SCHEDULE

Service Records	Before Each Use	Every 25 Hours	As Noted	Service Date
Check mower lines	X		1	
Check mower head engagement	X			
Engine/machine cleaning	X		2	
Check nuts and bolts	X			
Lubricate jackshaft assembly <i>(See 'How to Set the Height of the Cut' section in this manual. Loosen and slide cutting head up shaft. Apply 'NLGI grade 2' grease to shaft. Retighten head at preferred height.)</i>		X		
Lubricate wheel bearings		X		

Note 1 - When old line is half the original length, replace with new line.

Note 2 - Clean daily if used in extremely dusty or dirty conditions.

GENERAL RECOMMENDATIONS

The warranty on this mower does not cover items that have been subjected to operator abuse or negligence. To receive full value from the warranty, the operator must maintain the mower as instructed in this manual.

Some adjustments must be made periodically to properly maintain your mower. All adjustments in the “Service and Adjustments” section of this manual must be checked at least once each season.



WARNING

BEFORE YOU INSPECT, CLEAN OR SERVICE THE MOWER, STOP THE ENGINE. MAKE SURE THAT ALL MOVING PARTS HAVE STOPPED. DISCONNECT THE WIRE FROM THE SPARK PLUG.

HOW TO CHANGE ENGINE OIL

Be sure the engine is not operating and is located on a level surface before checking or refilling oil. Engine should be warm for easy removal of oil.

1. Detach spark plug wire and move away from spark plug. If the engine uses a battery, disconnect at negative terminal.
2. Remove dipstick and carefully tip the engine toward the dipstick side to empty oil from oil fill area. Empty oil into a suitable oil container and dispose of oil properly.
SEE FIGURE 7.
3. Tip engine back onto a level surface and fill with appropriate oil to the top of the marking on the dipstick
SEE FIGURE 8. DO NOT OVERFILL. For proper oil capacity, see the engine manufacturer’s instructions.
4. Reinsert dipstick and tighten. **SEE FIGURE 8.**

HOW TO REPLACE THE MOWER LINE

For the best performance, use a heavy gauge (0.155" diameter) mower line. Cut the length of the mower line to 21.5". Use the length guide, located on the shield, to make sure the mower line is the correct length. Place one end of the mower line at location "A" and bend it along the raised portion of the shield. Cut line at location "B". **SEE FIGURE 9.**

Do not allow the length of the lines to vary more than one inch. This is important to make sure the mower head is balanced and does not vibrate.

NOTE: To extend the life of the mower line, keep the mower line moist. If not kept moist, the nylon mower line will become dry and brittle. Keep extra mower line in a can of water. The line will then stay flexible and easy to change. A flexible line will also last much longer.

1. Stop the engine. Wait for all moving parts to stop.
2. Remove the worn mower line from the line retainer.
3. First, thread the ends of the new mower line through the outside loops. **SEE FIGURE 10A.**
4. Next, take the ends of the line, cross over the line retainer, and thread the ends through the center hold. **SEE FIGURE 10B.**
5. Then, check to make sure that the ends of the line are even. **SEE FIGURE 10C.**

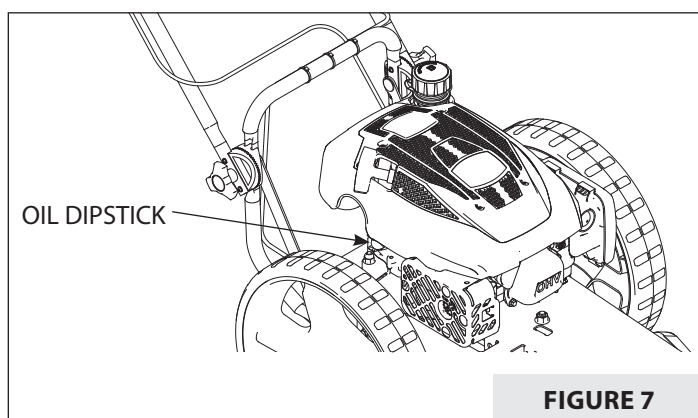


FIGURE 7

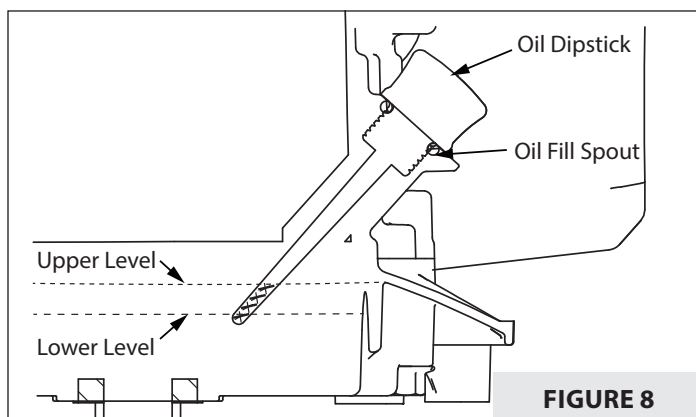


FIGURE 8

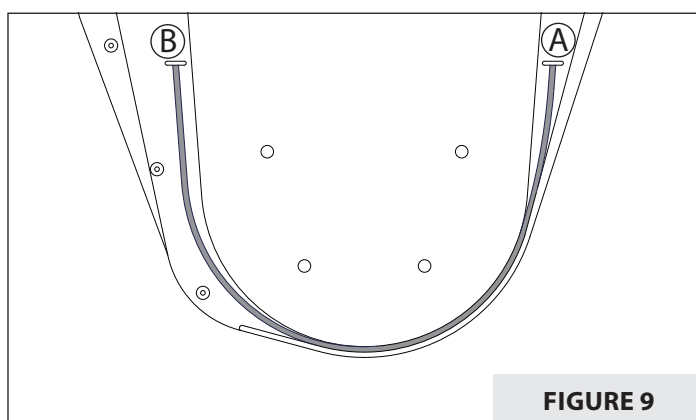


FIGURE 9

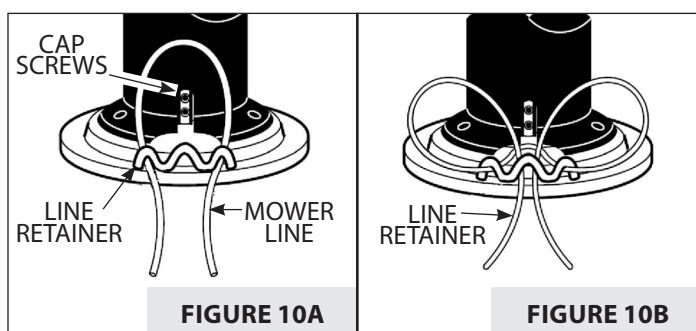


FIGURE 10A

FIGURE 10B

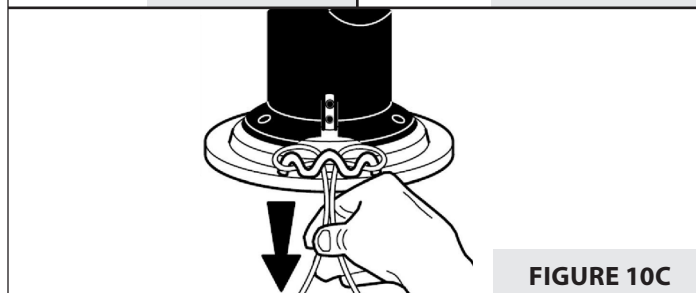


FIGURE 10C

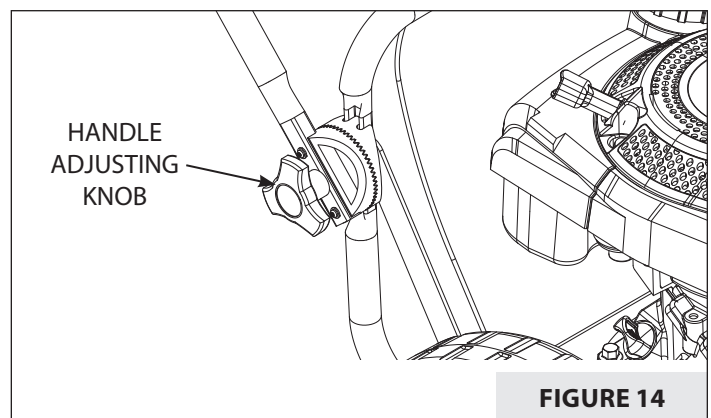
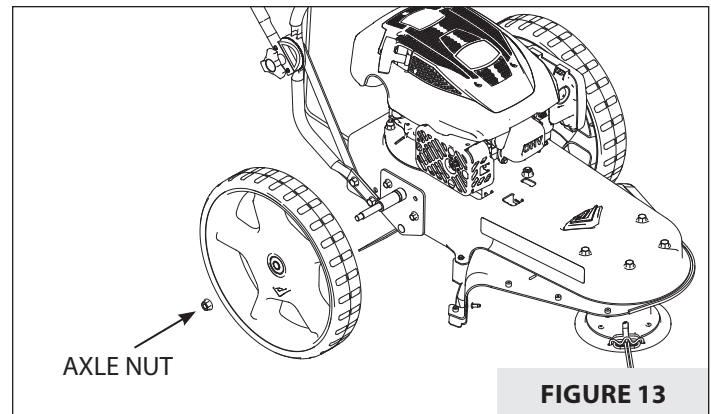
TO DETACH THE WHEELS

To detach the wheels, loosen the axle nuts and remove the wheel. Reverse instructions to reattach tire. **SEE FIGURE 13.**

HOW TO ADJUST THE HEIGHT/ANGLE OF THE HANDLE

Use the knobs on each side of the handle to adjust the height of the handle. **SEE FIGURE 14.**

1. Hold the handle with one hand and loosen both knobs until the ratchet teeth are disengaged. Do not remove the bolts.
2. Move the handle up or down to the desired position, then align the ratchet teeth. Make sure both sides of the handle are level.
3. Tighten (lock) the knobs.



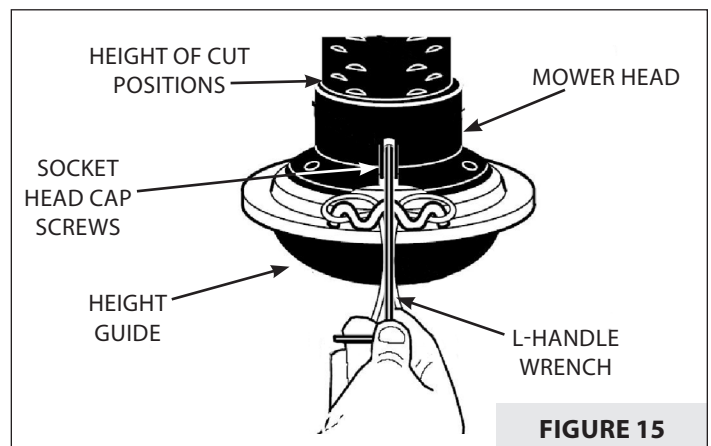
WARNING

▲ BEFORE YOU SET THE HEIGHT OF THE CUT, STOP THE ENGINE. WAIT FOR ALL MOVING PARTS TO STOP. ALLOW THE ENGINE TO COOL AND DISCONNECT THE SPARK PLUG WIRE.

HOW TO SET THE HEIGHT OF THE CUT

The height of the cut can be set from 1-1/2 inches to three (3) inches. The recommended cutting height for the average yard is two (2) inches. **SEE FIGURE 15.**

1. Use the L-handle wrench found in the parts bag to loosen the socket head cap screws shown in the figure below. **NOTE: There are two socket head cap screws.**
2. Set the mower head at the desired height.
3. Tighten the socket head cap screws.



⚠ WARNING

⚠ BEFORE YOU REMOVE THE DRIVE BELT, DISCONNECT THE WIRE FROM THE SPARK PLUG.

IMPORTANT

TEST THE DRIVE SYSTEM. START THE ENGINE AND ENGAGE AND DISENGAGE THE MOWER HEAD SEVERAL TIMES. WHEN DISENGAGED, MAKE SURE THE MOWER HEAD COMPLETELY STOPS WHEN RESTING ON THE GROUND. IF THE MOWER HEAD CONTINUES TO ROTATE, TAKE THE MOWER TO AN AUTHORIZED SERVICE CENTER.

HOW TO REPLACE THE DRIVE BELT

To replace the drive belt, the debris shield and mower head must be removed as follows: **SEE FIGURES 16 AND 17.**

1. Remove the two screws that hold the rear of the debris shield to the mower housing.
2. Remove the four screws that hold the front of the debris shield to the mower head.
3. Remove the four bolts that hold the mower head spindle to the mower housing.
4. Remove the "V" pulley from the idler bracket.
NOTE: On some models, it is necessary to loosen the mounting bolt for the drive pulley to remove the drive belt. Do not bend the belt guides. Use only OEM replacement belts.
5. To assemble the drive belt, reverse the above steps. Make sure all fasteners are tight. Make sure the mounting bolt for the drive pulley is tight.
6. Check the routing of the drive belt. Make sure the drive belt is inside of all belt guides as shown.

⚠ WARNING

⚠ DO NOT REMOVE GASOLINE WHILE INSIDE A BUILDING, NEAR A FIRE, OR WHILE YOU SMOKE. GASOLINE FUMES CAN CAUSE AN EXPLOSION OR A FIRE.

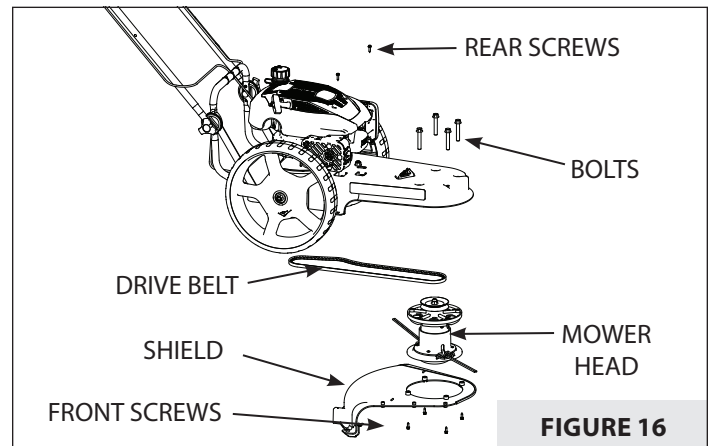


FIGURE 16

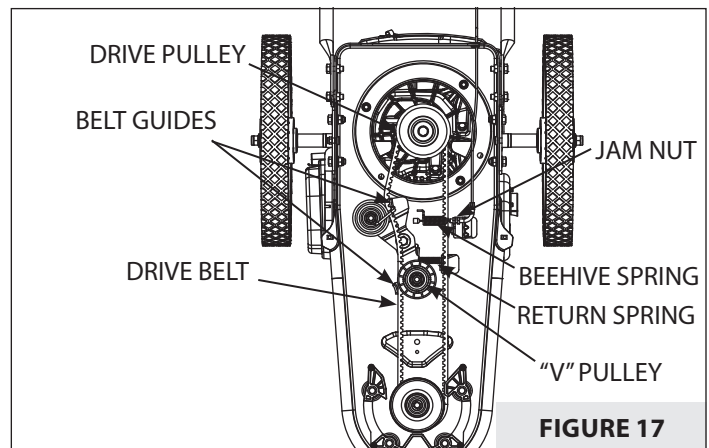


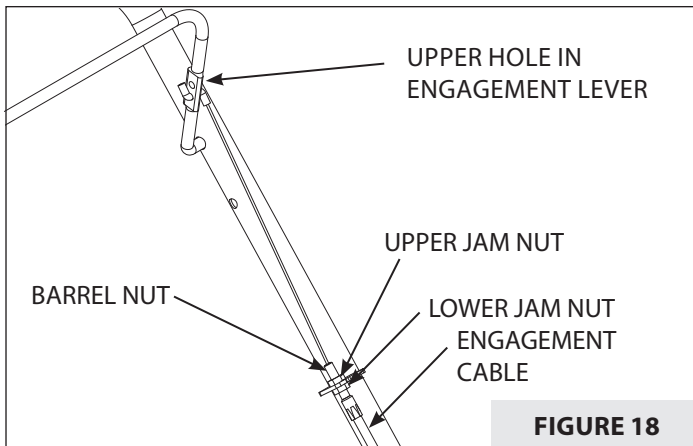
FIGURE 17

BELT TENSION ADJUSTMENT

Proper belt tension is critical to good performance. After 1/2 hour of operation, the engagement cable may have to be adjusted due to initial stretch. Thereafter, check tension after every two hours of operation. Proper tension is achieved when the beehive spring extends 1/8" - 1/4" when drive lever is engaged.

To increase belt tension do as follows:

1. Loosen upper jam nut on engagement cable. **SEE FIGURE 18.**
2. Tighten the lower jam nut in 1/8" increments, making sure not to over adjust the tension.
3. Check adjustment by measuring the beehive spring extension when drive lever is engaged. (Proper spring extension is 1/8" - 1/4")
4. When proper adjustment is achieved, tighten bottom jam nut.



NOTE: A second cable adjustment can be found on the engagement lever. The upper hole in the engagement lever can be used to further tension the belt. **SEE FIGURE 18.**

NOTE: A short buzzing noise can be heard when engagement lever is released. This is normal, caused by the teeth of the cogged belt catching the wire guide, stopping the rotation of the belt. This does not require the belt tension to be adjusted.

NOTE: The more threads of the barrel nut on the cable sit below the bracket, the more tension on the belt.

STORAGE

When the mower is put in storage for thirty days or more, follow the steps below to make sure the mower is in good condition the following season.

MOWER:

Completely clean the mower

Remove and discard line or store in a sealed container. Put the mower in a building that has good ventilation.

NOTE: A yearly check-up or tune-up at an authorized service dealer will ensure that the mower will provide maximum performance for the next season.

ENGINE:

IMPORTANT NOTE: It is important to prevent gum deposits from forming in fuel system parts such as the carburetor, fuel filter, fuel hose, and tank during storage. Also, using alcohol blended fuels (called gasohol, ethanol or methanol) can attract moisture which leads to separation and formation of acids during storage. Acidic gas can damage the fuel system of an engine while in storage.

1. Drain all gasoline from the fuel tank. Let the engine run until it is out of gasoline. If you do not want to remove gasoline, add a fuel stabilizer to any gasoline left in the tank. A fuel stabilizer will minimize the formation of gum deposits and acids. If the tank is almost empty, mix the fuel stabilizer with fresh gasoline in a separate container and add the mixture to the tank. Always follow the instructions on the stabilizer container. Run the engine at least ten minutes after stabilizer is added to allow the mixture to reach the carburetor.
2. Drain the oil from a warm engine. Fill the engine crankcase with new oil.
3. Remove the spark plug from the cylinder. Pour one ounce of oil into the cylinder. Slowly pull the recoil starter handle so that the oil will protect the cylinder. Install a new spark plug in the cylinder.
4. Completely clean the mower, including dirt and debris from the cylinder cooling fins and the engine housing.
5. When not in use, disconnect spark plug lead and store in a well-ventilated area inaccessible to children.

TROUBLESHOOTING & REPAIR

We build quality and durability into the design of our products; but no amount of careful design by us, and careful maintenance by you, can guarantee a repair-free life for your String Mower. Most repairs will be minor, and easily fixed by following the suggestions in the troubleshooting guide in this section.

The guide will help you pinpoint the causes of common problems and identify remedies.

For more complicated repairs, you may want to rely on an authorized service center. A parts breakdown is located on an extra insert manual included with this product.

We will always be glad to answer any questions you have, or help you find suitable assistance. To order parts or inquire about warranty, call or email us using the contact information found below or listed on the "contact us" page on our website.

ORDERING REPLACEMENT PARTS

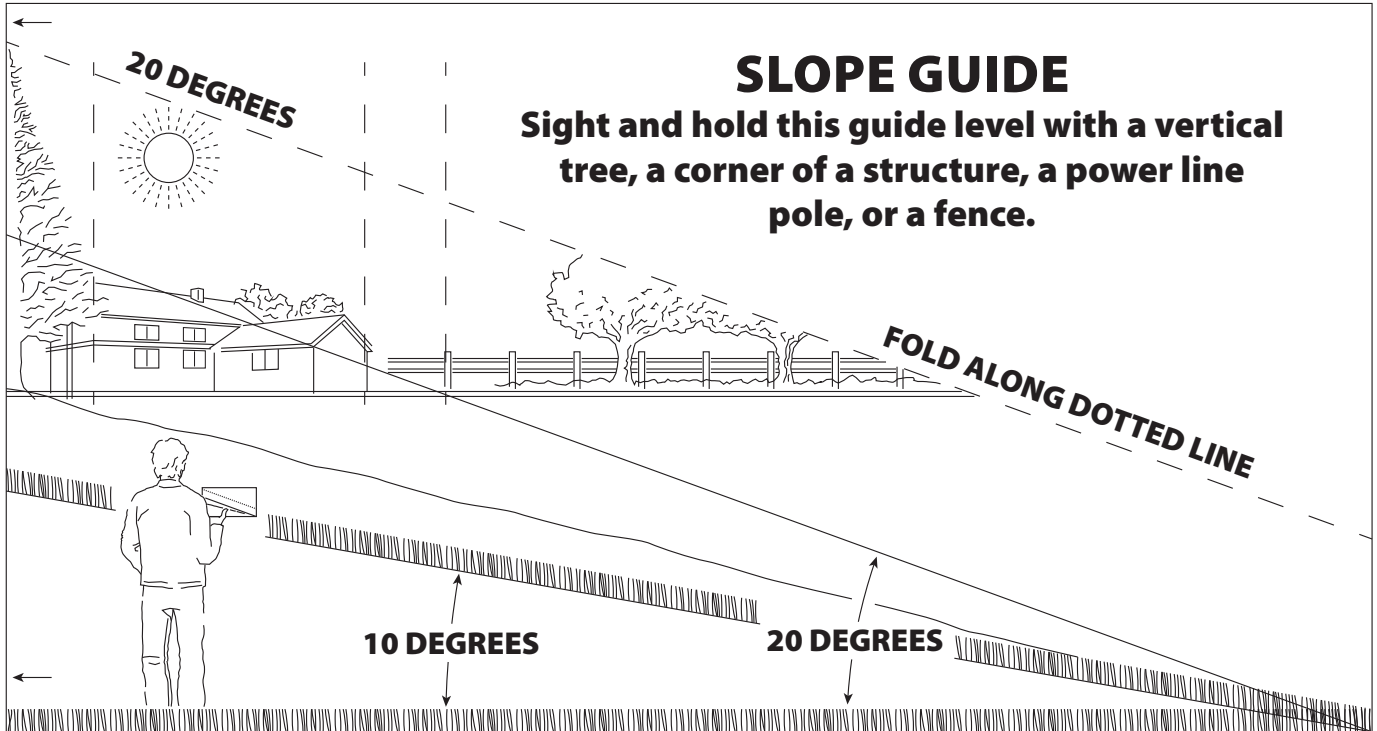
Parts can be obtained direct from the factory. To order parts visit the website listed at the bottom of the page or call (800) 345-6007. Please include the following information with your order:

Part Number(s), Part Description, Quantity, Model Number and Serial Number.

TROUBLESHOOTING GUIDE:

Trouble	Cause	Correction
Engine does not start	Spark plug wire disconnected	Connect spark plug wire
	Engine not primed	Prime engine
	Defective or incorrectly gapped spark plug	Inspect or replace spark plug
	Fuel tank empty	Add fuel
	Dirty carburetor or fuel line	Clean carburetor or fuel line
	Dirty air filter	Replace air filter
	Carburetor out of adjustment	For carburetor adjustment, take the unit to an authorized service center
	Engine flooded	Wait several minutes before starting
	ON/OFF Switch in incorrect position	Move switch to ON position
	Stale gasoline	Drain old gasoline and add fresh gas
	Defective ON/OFF Switch or wire	Inspect and replace damaged parts
Engine runs poorly	Bad spark plug	Replace spark plug
	Dirty air filter	Replace air filter
	Carburetor out of adjustment	For carburetor adjustment, take the unit to an authorized service center
	Stale gasoline	Drain old gasoline and add fresh gas
	Engine cooling system clogged	Clean debris screen and engine cooling fins
Engine overheats	Engine cooling system clogged	Clean debris screen and engine cooling fins
	Carburetor out of adjustment	For carburetor adjustment, take the unit to an authorized service center
	Oil level is low	Add oil
Engine will not stop running	ON/OFF Switch failed	Inspect and replace damaged parts
	Wire disconnected from ON/OFF Switch	Inspect, repair, or replace damaged parts
Poor mowing performance	Mower line length is too short	Correct line length is 21.5 inches. When the line is less than 1/2 of this length, replace the line.
	Belt stretched	Adjust belt engagement
Mower vibrates	Socket head cap screws for the mower head are loose	Tighten socket head cap screws with L-handle wrench
	Mower line lengths are substantially different	Adjust mower line to approximately equal lengths
	Loose nuts or bolts	Check all bolts and nuts, including engine bolts
	Broken mower head	Replace broken part
Mower head does not retain line	Mower line not properly attached	Follow instructions on decal or in the "Maintenance, Service and Storage" section of the owner's manual
	Broken line retainer	Replace mower head assembly
	Mower line not correct size	Use a 0.155" diameter mower line

SLOPE GUIDE



Use this guide to determine slope angle.

DO NOT MOW ON A SLOPE GREATER THAN 20 DEGREES.

- A 10 degree slope is a hill that increases in height at approximately 1.76 feet (53.6 cm) in 10 feet (304.5 cm).
- A 20 degree slope is a hill that increases in height at approximately 3.64 feet (110.9 cm) in 10 feet (304.5 cm).

WARNING

USE EXTREME CARE AT ALL TIMES AND AVOID SUDDEN TURNS OR MANEUVERS. FOLLOW OTHER INSTRUCTIONS IN THIS MANUAL FOR SAFETY IN MOWING ON SLOPES. NEVER OPERATE A MOWER UP AND DOWN SLOPES, OPERATE ACROSS SLOPES ONLY. USE EXTRA CARE WHEN OPERATING ON OR NEAR SLOPES AND OBSTRUCTIONS.

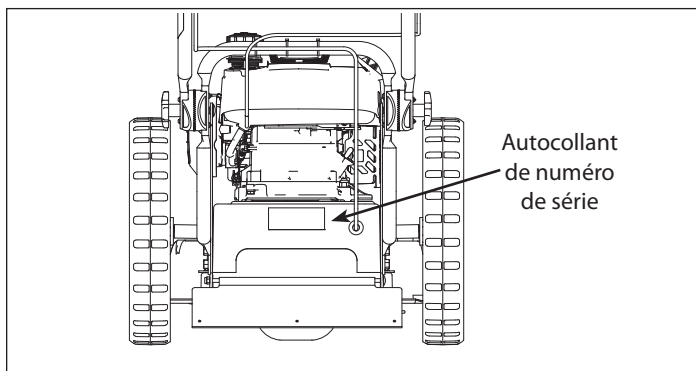


ARRÊTEZ! ACTIVEZ LA GARANTIE AVANT UTILISATION

Tous les produits doivent être enregistrés *dans les 30 jours* à compter de la date d'achat pour être couverts par la garantie. Pour plus d'information sur la garantie et l'enregistrement, veuillez consulter les modalités et conditions de la garantie et de l'enregistrement figurant dans l'encart de garantie.

ENREGISTREMENT ET SERVICE APRÈS-VENTE

Consigner le numéro de modèle et le numéro de série du produit dans l'espace prévu pour y accéder facilement lors des commandes de pièces détachées ou des demandes d'assistance technique. À l'exception des articles couverts par la garantie sur le contrôle des émissions, la garantie est valable uniquement si l'enregistrement dûment rempli est reçu par Ardisam dans les 30 jours après l'achat. L'enregistrement de la garantie peut se faire en ligne à www.getearthquake.com. Il est aussi possible d'appeler notre Service après-vente au (800) 345-6007 du lundi au vendredi de 8h00 à 16h30 HNC.



INTRODUCTION

Merci d'avoir acheté ce produit Earthquake®. Nous nous sommes attachés à ce que ce produit réponde aux plus hautes normes d'utilisation et de durabilité. Moyennant des soins corrects, votre achat offrira de nombreuses années de service fiable.

Lire ce manuel en entier avant de l'installer et de l'utiliser. Earthquake® se réserve le droit de changer, modifier ou améliorer ce produit et cette documentation à tout moment sans préavis. En raison des constantes améliorations de nos produits, les représentations du produit peuvent être inexactes. Un certain assemblage peut être requis.

Lire ce manuel et le conserver pour toute consultation ultérieure. Ce manuel contient des renseignements importants concernant la sécurité, l'assemblage, l'utilisation et l'entretien. Le propriétaire doit veiller à ce que toute la documentation sur le produit soit fournie avec l'appareil. Cette documentation comprend le manuel, la liste des pièces de rechange et les garanties. Cette documentation doit être fournie en vertu de la réglementation en vigueur. Toutes les personnes à qui cette machine est louée/prêtée doivent avoir accès à ces informations et les comprendre. Le présent manuel doit rester avec le produit, notamment s'il est revendu.

SOMMAIRE

Introduction / Sommaire.....	19
Avertissements et mesures de précaution.....	20-24
Caractéristiques.....	24
Assemblage.....	25-26
Utilisation.....	26-27
Entretien et entreposage.....	28-32
Dépannage et réparation.....	32-34



AVERTISSEMENT

▲ AVERTISSEMENT PROPOSITION 65 DE CALIFORNIE

L'ÉCHAPPEMENT DU MOTEUR DE CE PRODUIT CONTIENT DES SUBSTANCES CHIMIQUES DÉCLARÉES RESPONSABLES DE CANCER, MALFORMATIONS CONGÉNITALES OU AUTRES ANOMALIES DE LA REPRODUCTION PAR L'ÉTAT DE CALIFORNIE.

LES COSSES, BORNES DE BATTERIE ET ACCESSOIRES ASSOCIÉS CONTIENNENT DU PLOMB ET DES COMPOSÉS DE PLOMB, DES SUBSTANCES CHIMIQUES DÉCLARÉES RESPONSABLES DE CANCER ET D'ANOMALIES DE LA REPRODUCTION PAR L'ÉTAT DE CALIFORNIE. SE LAVÉ LES MAINS APRÈS LA MANIPULATION.

L'UTILISATION DE CE PRODUIT PEUT ENTRAÎNER UNE EXPOSITION À DES SUBSTANCES CHIMIQUES DÉCLARÉES RESPONSABLES DE CANCER, MALFORMATIONS CONGÉNITALES OU AUTRES ANOMALIES DE LA REPRODUCTION PAR L'ÉTAT DE CALIFORNIE.

Cet appareil est destiné à être utilisé par des propriétaires résidentiels pour couper l'herbe comme il se doit à l'extérieur. L'utilisation de ce produit à des fins autres que l'emploi prévu peut s'avérer dangereux pour l'utilisateur et les personnes présentes.

Lire cette information avec attention pour savoir comment faire fonctionner et entretenir correctement ce produit et éviter les blessures et les dommages matériels. L'utilisateur a pour responsabilité d'utiliser le produit de façon correcte et sécuritaire.

AVERTISSEMENTS ET MESURES DE PRÉCAUTION

RESPONSABILITÉ DU PROPRIÉTAIRE

L'assemblage correct et l'utilisation sûre et efficace de la machine relèvent de la responsabilité de l'utilisateur.

- Lire et respecter toutes les instructions de sécurité.
- Suivre avec attention toutes les instructions d'assemblage.
- Entretien la machine conformément aux instructions et au calendrier figurant dans le manuel de l'utilisateur Earthquake®.
- S'assurer que quiconque utilise la machine est familiarisé avec toutes les commandes et mesures de précaution.

MESSAGES SPÉCIAUX

Ce manuel contient des messages spéciaux attirant l'attention sur des problèmes de sécurité et dommages potentiels à la machine, ainsi que des informations utiles sur l'utilisation et l'entretien. Veiller à lire toutes ces informations avec attention pour éviter les blessures et les dommages à la machine.

REMARQUE : Des informations générales sont fournies à travers ce manuel pouvant aider l'opérateur dans l'utilisation ou l'entretien de la machine.

- ⚠ Ce symbole signale des instructions de sécurité importantes qui doivent être respectées pour ne pas mettre en danger la sécurité des personnes. Lire et respecter toutes les instructions du manuel avant de tenter de faire fonctionner ce matériel.

AVANT D'UTILISER LA MACHINE :

Veiller à lire cette section avec attention. Lire l'ensemble des instructions d'utilisation et d'entretien de ce produit. Tout manquement à respecter ces instructions peut entraîner des blessures graves ou la mort. Utiliser la machine conformément aux instructions de sécurité fournies ici et tout au long du manuel. Quiconque utilise cette machine doit lire les instructions et être familiarisé avec les commandes.

AVIS

AVIS INDIQUE QUE LE MATÉRIEL PEUT ÊTRE ENDOMMAGÉ SI LES INSTRUCTIONS DE SÉCURITÉ QUI SUIVENT CE MOT-INDICATEUR NE SONT PAS RESPECTÉES.

IMPORTANT

IMPORTANT SIGNALE DES INFORMATIONS UTILES CONCERNANT L'ASSEMBLAGE, L'UTILISATION OU L'ENTRETIEN DU MATÉRIEL.



ATTENTION

⚠ ATTENTION INDIQUE UN DANGER QUI, S'IL N'EST PAS ÉVITÉ, PEUT PROVOQUER DES BLESSURES CORPORELLES ET DES DÉGÂTS MATÉRIELS.



AVERTISSEMENT

⚠ AVERTISSEMENT INDIQUE UN DANGER QUI, S'IL N'EST PAS ÉVITÉ, PEUT PROVOQUER LA MORT OU DES BLESSURES CORPORELLES ET DÉGÂTS MATÉRIELS GRAVES.



DANGER

⚠ DANGER INDIQUE UN DANGER QUI, S'IL N'EST PAS ÉVITÉ, PROVOQUERA IMMANQUABLEMENT LA MORT OU DES BLESSURES CORPORELLES ET DES DÉGÂTS MATÉRIELS GRAVES.



AVERTISSEMENT

- ⚠ VEILLER À LIRE, À COMPRENDRE ET À RESPECTER TOUTES LES INSTRUCTIONS DE SÉCURITÉ ET D'UTILISATION FIGURANT DANS CE MANUEL AVANT DE TENTER D'INSTALLER ET DE FAIRE FONCTIONNER LA MACHINE.
- ⚠ TOUT MANQUEMENT À OBSERVER LES INSTRUCTIONS DE SÉCURITÉ ET D'UTILISATION PEUT PROVOQUER DES BLESSURES CORPORELLES GRAVES POUR L'UTILISATEUR ET D'AUTRES PERSONNES PRÉSENTES ET DES DÉGÂTS MATÉRIELS. LE TRIANGLE DANS LE TEXTE INDIQUE DES MISES EN GARDES ET AVERTISSEMENTS IMPORTANTS QUI DOIVENT ÊTRE SUIVIS.

CONSIGNES GÉNÉRALES DE SÉCURITÉ

- Lire, comprendre et respecter toutes les instructions figurant sur la machine et dans le(s) manuel(s). Veiller à bien se familiariser avec les commandes et la bonne utilisation de la débroussailleuse avant de la démarrer.
- Veiller à se familiariser avec tous les autocollants de sécurité et d'exploitation apposés sur ce matériel et sur tous ses outils ou accessoires.
- Ne pas placer les mains ni les pieds sous ou à proximité d'une pièce en rotation.
- Permettre l'utilisation de la débroussailleuse uniquement à des personnes responsables familiarisées avec les instructions.
- Examiner avec soin la zone où la machine doit être utilisée et éliminer tous les objets étrangers. Ce matériel peut projeter violemment de petits objets et provoquer des dégâts matériels ou des blessures graves. Rester à l'écart des objets fragiles tels que les fenêtres de maison, automobiles, serres, etc.
- Tenir toutes les personnes présentes à l'écart de la zone de travail, en particulier les jeunes enfants et les animaux.
- Porter une tenue adaptée, notamment un blouson ou une chemise à manches longues. Porter également un pantalon long. Ne pas porter de pantalon court.
- Ne pas porter de vêtements amples ni de bijoux. Ils peuvent être happés par les pièces en mouvement.
- Toujours porter des lunettes à coques ou des lunettes de sécurité à écrans latéraux durant l'utilisation de la débroussailleuse pour protéger les yeux des objets étrangers susceptibles d'être projetés par la machine.
- Toujours porter des gants de travail et des chaussures robustes. Porter des chaussures offrant une bonne adhérence sur les surfaces glissantes. Les chaussures de chantier ou bottines en cuir conviennent généralement bien. Elles protègent les chevilles et les tibias de l'utilisateur contre les petits bouts de bois, échardes et autres débris.
- Il est conseillé de porter une protection de la tête contre les projections de terre et petits cailloux et pour éviter de heurter les branches basses et autres objets auxquels l'utilisateur n'aurait pas prêté attention.
- Ne pas utiliser la débroussailleuse si tous les carters de protection et autres dispositifs de sécurité ne sont pas en place.
- Utiliser ce matériel exclusivement aux fins prévues.
- Voir les instructions du fabricant concernant l'utilisation et la pose d'accessoires. Utiliser exclusivement des accessoires homologués par le fabricant.
- Travailler uniquement durant la journée ou sous une bonne lumière artificielle.
- Ne pas utiliser ce produit alors qu'on est fatigué ou sous l'emprise de l'alcool, de drogues ou de médicaments susceptibles de provoquer une somnolence ou d'altérer la capacité à utiliser la machine en toute sécurité.
- Ne jamais utiliser la débroussailleuse dans de l'herbe mouillée. Veiller à toujours avoir le pied ferme; tenir fermement la poignée et marcher avec la machine; ne jamais courir.
- Avant chaque utilisation, contrôler le levier et le câble de commande des gaz. S'assurer que le câble s'actionne librement et que le levier n'est pas endommagé. Vérifier aussi que le câble de tringlerie vers le carburateur ne présente pas de plissements, de raccords desserrés ou d'obstructions. Vérifier que la barre de commande fonctionne correctement.
- Interrompre la rotation de la tête de débroussaillage pour traverser des allées, chemins ou routes en gravier. Attendre que les fils de coupe cessent de tourner.
- Prendre garde à la circulation lors de travaux à proximité d'une chaussée ou en traversant une rue.
- Couper le moteur avant de s'éloigner de la machine, de la nettoyer, la réparer ou la contrôler; s'assurer de l'arrêt complet de la tête de débroussaillage et de toutes les pièces en mouvement. Laisser le moteur refroidir, débrancher le câble de la bougie et l'éloigner de la bougie.
- Si la machine commence à vibrer anormalement, arrêter le moteur, débrancher le câble de la bougie et l'empêcher de toucher la bougie. Rechercher immédiatement la cause. Les vibrations signalent généralement un problème.
- Après avoir heurté un objet étranger, arrêter le moteur. Débrancher le câble de la bougie. Contrôler l'état de la débroussailleuse. En cas de dommages, réparer avant de démarrer et d'utiliser la débroussailleuse.
- Ne jamais laisser la débroussailleuse sans surveillance avec le moteur en marche. Débrancher le câble de la bougie.
- Inspecter régulièrement la débroussailleuse. Vérifier qu'aucune pièce n'est déformée, endommagée ni desserrée.
- Laisser le silencieux et les surfaces du moteur refroidir avant de les toucher. Ne jamais soulever ni porter la débroussailleuse avec le moteur en marche.
- L'exposition prolongée au bruit et aux vibrations produits par du matériel à moteur à essence doit être évitée. Faire des pauses intermittentes et/ou porter une protection auditive contre le bruit du moteur, ainsi que des gants de travail épais pour réduire les vibrations dans les mains.
- Consulter la réglementation en vigueur concernant les restrictions d'âge pour l'utilisation de cette machine.
- Si le bruit ou les vibrations de la machine augmentent, arrêter immédiatement et contrôler la machine.

- Le carburant utilisé dans cette machine est considéré extrêmement inflammable et doit être manipulé avec précaution. Veiller à bien entreposer la réserve de carburant dans un bidon approprié et à l'écart de tout risque d'incendie.

UTILISATION EN PENTE

Les pentes sont un important facteur de risque de glissement et de chute pouvant entraîner des blessures graves. Toutes les pentes exigent des précautions supplémentaires. Ne pas débroussailler une pente si on manque d'assurance. Débroussailler perpendiculairement à la pente, jamais de haut en bas. Ne pas débroussailler les pentes trop raides (15 degrés maximum) ni les zones où le terrain est très accidenté. Pour évaluer une pente, voir le Guide de pente au dos de ce manuel. Faire preuve de beaucoup de précaution lors des changements de direction dans les pentes.

- Retirer les objets tels que les roches, les branches d'arbre, etc.
- Prendre garde aux trous, aux ornières et aux bosses. Les hautes herbes peuvent masquer des obstacles.
- Ne pas débroussailler à proximité de forts dénivelés, fossés ou remblais. Cela peut déséquilibrer ou faire perdre pied.
- Ne pas débroussailler des pentes très raides.
- Ne pas débroussailler dans de l'herbe mouillée. On peut perdre pied et glisser.

ENFANTS

Des accidents graves sont possibles si l'utilisateur n'est pas conscient de la présence d'enfants. Les enfants sont souvent attirés par la débroussailleuse et le débroussaillage. Ne jamais supposer que les enfants restent toujours au même endroit.

- Tenir les enfants à l'écart de la zone à débroussailler et sous la garde d'un adulte responsable.
- Rester alerte et arrêter la débroussailleuse si des enfants s'approchent.
- Avant et durant les déplacements à reculons, regarder derrière soi et vers le bas pour vérifier qu'il n'y a pas de petits enfants.
- Ne jamais laisser d'enfant utiliser la débroussailleuse.
- Faire preuve de beaucoup de prudence lors de l'approche de virages sans visibilité, d'arbustes, d'arbres ou autres objets susceptibles de bloquer la vue.

ENTRETIEN

- Faire preuve d'extrême prudence lors de la manipulation de l'essence et de tout autre carburant. Ils sont inflammables et les vapeurs sont explosives.
- Utiliser uniquement un récipient homologué.
- Ne jamais ouvrir le bouchon d'essence ni ajouter du carburant avec le moteur en marche. Laisser le moteur refroidir avant de refaire le plein. Ne pas fumer durant le remplissage.

- Faire le plein du réservoir de carburant à l'extérieur avec beaucoup de précaution. Ne jamais remplir le réservoir de carburant à l'intérieur ou près d'appareils à veilleuse, réchauffeurs et autres sources d'inflammation. Bien refermer le bouchon de carburant. En cas de déversement accidentel, ne pas démarrer le moteur mais éloigner le produit et le bidon de carburant. Nettoyer le carburant déversé et laisser évaporer.
- Ne jamais entreposer la machine ni un récipient de carburant à l'intérieur en présence d'une flamme nue (chauffe-eau, par exemple) ou autre source d'inflammation.
- Si le réservoir doit être vidangé, le faire à l'extérieur. Le carburant vidangé doit être conservé dans un bidon spécifiquement conçu pour le carburant ou il doit être éliminé avec précaution.
- Les moteurs dégagent du monoxyde de carbone, un gaz toxique inodore et incolore. Respirer du monoxyde de carbone peut causer des nausées, un évanouissement ou la mort. Toujours démarrer et faire tourner le moteur à l'extérieur. Ne pas démarrer ni faire tourner le moteur dans un espace fermé, même avec des portes ou des fenêtres ouvertes.
- Ne jamais effectuer des réglages ou des réparations avec le moteur en marche. Débrancher le câble de la bougie et tenir le câble à l'écart de la bougie pour éviter tout démarrage accidentel (retirer la clé de contact si la machine est équipée d'un démarreur électrique). Toujours porter une protection oculaire pour effectuer des réglages ou des réparations.
- Contrôler fréquemment le serrage de la visserie de fixation de la tête de débroussaillage et du moteur.
- Maintenir tous les écrous et vis bien serrés et le matériel en bon état. Vérifier la visserie de fixation de la tête de débroussaillage chaque fois que le fil de débroussaillage est changé et avant chaque utilisation.
- Ne jamais altérer les dispositifs de sécurité. Vérifier régulièrement leur bon fonctionnement.
- Lors de l'entretien ou des réparations, ne pas basculer ni retourner la débroussailleuse sauf sur instruction spécifique dans ce manuel. Les procédures d'entretien et de réparation peuvent se faire avec la débroussailleuse en position verticale. Certaines procédures sont plus faciles à effectuer si la machine est sur une plateforme surélevée ou un plan de travail.
- Pour réduire le risque d'incendie, éviter toute accumulation d'herbes, de feuilles et autres débris sur la débroussailleuse. Nettoyer les déversements d'huile ou de carburant. Laisser la débroussailleuse refroidir avant de l'entreposer.
- Arrêter et contrôler le matériel après avoir heurté un objet. Réparer, le cas échéant, avant de redémarrer.
- Toujours débrancher le câble de la bougie avant tout nettoyage, réglage ou réparation.
- Ne pas modifier le réglage du régulateur de moteur ni faire tourner le moteur en surrégime.

- Nettoyer et remplacer les autocollants de sécurité et d'instruction comme il se doit.
- Pour protéger le moteur contre la surchauffe, s'assurer que la grille à débris du moteur est toujours en place et propre.
- Contrôler la débroussailleuse avant de l'entreposer. Lorsqu'il n'est pas utilisé, débrancher le câble de bougie et entreposer à l'intérieur dans un endroit sec verrouillé ou autrement inaccessible aux enfants.
- Utiliser uniquement du matériel d'origine ou des pièces de rechange autorisées.
- Ne jamais remplacer les fils de coupe par des pièces métalliques.
- Entreposer l'essence ou une machine avec du carburant dans le réservoir à l'écart de chaudières, poêles, chauffe-eau et autres appareils électroménagers comportant une veilleuse ou autre source d'inflammation susceptible d'enflammer les vapeurs d'essence.



AUTOCOLLANTS DE SÉCURITÉ ET MISES EN GARDE

Les symboles de sécurité et de danger figurant sur la machine et dans le manuel sont illustrés ci-dessous. Avant d'utiliser la machine, veiller à apprendre et à comprendre la signification de chaque symbole.



Avoid Serious Injury Or Death.

Read And Follow Owner's Manual. Do Not Operate When Children Or Others Are Around. Remove Objects That Could Be Thrown By The Cutting Lines. Do Not Service Or Adjust Cutting Head Or Other Moving Parts, Unless Engine Is Stopped And Spark Plug Wire Is Disconnected. Wear Safety Approved Eye Protection When Operating. Go Across Slopes, Not Up And Down. Keep Safety Devices, Such As Guards And Deflectors In Place And Operating. Look Down And Behind Before And While Moving Backwards.

Danger de blessure grave ou de mort.

Lire et suivre le manuel de l'utilisateur. Ne pas utiliser en présence d'enfants ou autres personnes. Enlever les objets susceptibles d'être projetés par les lignes de coupe. Ne pas effectuer l'entretien ou le réglage de la tête de coupe ou d'autres pièces en mouvement avant d'avoir coupé le moteur et débranché le câble de bougie. Porter une protection oculaire homologuée pour la sécurité durant l'utilisation. Traverser les pentes latéralement, pas de haut en bas. Maintenir les dispositifs de sécurité, tels que les carters de protection et les déflecteurs, en place et en état de marche. Regarder vers le bas et l'arrière avant et durant les déplacements en marche arrière.

- A : Avertissement!
- B : Lire le manuel de l'utilisateur avant d'utiliser la machine.
- C : Ne pas utiliser en présence d'autres personnes.
- D : Enlever les objets susceptibles d'être projetés par cette machine.
- E : Ne jamais monter ou descendre des pentes avec la débroussailleuse, TOUJOURS les tondre latéralement.
- F : Prendre garde aux pièces en mouvement et en rotation.
- G : Porter en permanence une protection des yeux et des oreilles.
- H : Ne pas effectuer d'entretien ni de réglage de pièces en mouvement avant d'avoir coupé le moteur et débranché le câble de bougie.
- I : Sens de rotation des fils de débroussaillage.
- J : Vapeurs toxiques — Ne pas faire fonctionner dans des endroits non ventilés.
- K : Surfaces chaudes.
- L : Risques d'incendie.
- M : Ne pas utiliser durant des orages. En cas de fortes intempéries, arrêter la machine et se mettre à l'abri.
- N : Levage à plusieurs — Par mesure de sécurité, toujours soulever cette machine à deux personnes au moins.
- O : Ne jamais monter des outils de coupe métalliques. N'attacher aucune pièce métallique à la tête de coupe de cette machine.
- P : Ne pas utiliser en présence d'enfants ou autres personnes.

⚠ AVERTISSEMENT

⚠ LES DÉBRIS COMBUSTIBLES PEUVENT S'ENFLAMMER. L'UTILISATION OU L'EXPLOITATION DE TOUT MOTEUR THERMIQUE DANS UN LIEU COUVERT DE FORÊT, DE BROUSSAILLES OU D'HERBES EST UNE INFRACTION À LA SECTION 4442 DU CALIFORNIA PUBLIC RESOURCE CODE, SAUF SI LE SYSTÈME D'ÉCHAPPEMENT EST ÉQUIPÉ D'UN DISPOSITIF PARE-ÉTINCELLES, TEL QUE DANS LA SECTION 4442, EN BON ÉTAT DE FONCTIONNEMENT. D'AUTRES JURIDICTIONS FÉDÉRALES OU PROVINCIALES PEUVENT AVOIR DES LOIS SEMBLABLES. POUR OBTENIR LE PARE-ÉTINCELLES CONÇU POUR CE PRODUIT, S'ADRESSER AU CONSTRUCTEUR D'ORIGINE, AU REVENDEUR OU À UN CONCESSIONNAIRE.

DONNÉES TECHNIQUES

<i>Diamètre du fil de débroussaillage</i>	4 mm (0,155 po)
<i>Longueur du fil de débroussaillage</i>	54,6 cm (21,5 po)
<i>Diamètre de coupe de la débroussailleuse</i>	55,9 cm (22 po)
<i>Diamètre des roues</i>	35,6 cm (14 po)

CARACTÉRISTIQUES

Lire le manuel de l'utilisateur et les règles de sécurité avant de faire fonctionner la débroussailleuse. Prendre le temps de comparer l'illustration suivante avec la débroussailleuse afin de se familiariser avec le produit et ses commandes. **VOIR FIGURE 1.**

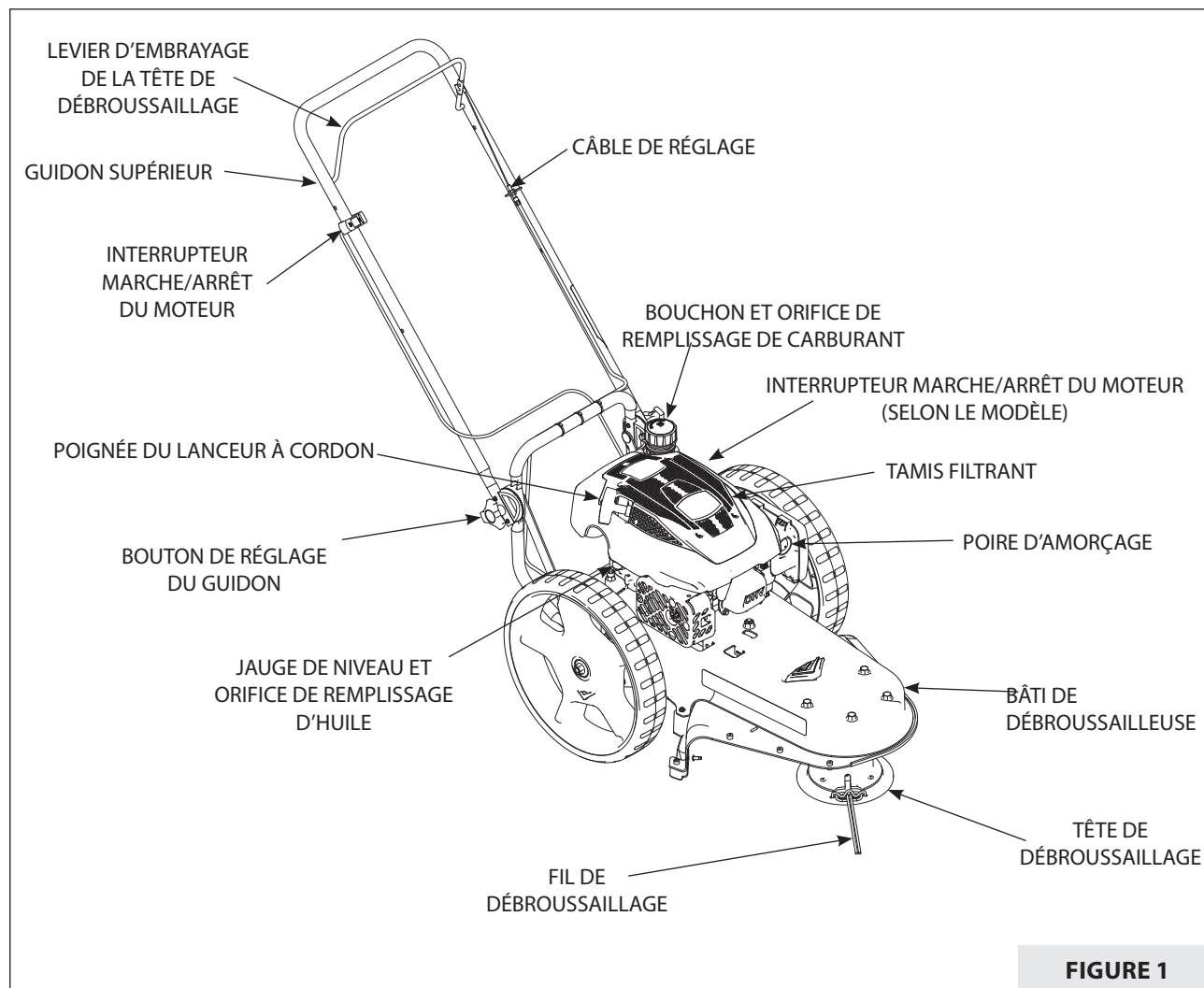


FIGURE 1

DÉBALLAGE ET ASSEMBLAGE



AVERTISSEMENT

- ⚠ UTILISER L'ÉQUIPEMENT DE PROTECTION INDIVIDUELLE QUI CONVIENT. PORTER DES LUNETTES DE SÉCURITÉ OU UN MASQUE DE PROTECTION OCULAIRE DURANT L'ASSEMBLAGE ET L'UTILISATION DE LA DÉBROUSSAILLEUSE.
- ⚠ DÉBRANCHER LE CÂBLE DE LA BOUGIE AVANT DE PROCÉDER À TOUT ASSEMBLAGE OU ENTRETIEN DE LA DÉBROUSSAILLEUSE.

SORTIR LA DÉBROUSSAILLEUSE DU CARTON

1. Retirer toutes les pièces en vrac, y compris les sachets de pièces, du carton d'emballage.
2. Retirer le matériau d'emballage placé autour de la machine.
3. Couper les quatre coins du carton et poser les quatre côtés à plat.
4. Sortir la débroussailleuse du carton. **VOIR FIGURE 2.**

RELEVER LE GUIDON

1. Tenir le guidon d'une main et desserrer les deux boutons de réglage du guidon jusqu'à dégager la denture. Ne pas démonter les boutons de réglage du guidon.
2. Relever le guidon jusqu'en position d'utilisation.
3. Se placer en position de conduite derrière la débroussailleuse. Mettre le guidon dans une position confortable. S'assurer que les deux côtés du guidon sont au même niveau.

REMARQUE : Vérifier que les câbles ne sont pas coincés entre le guidon supérieur et l'arceau inférieur.

4. Serrer les boutons de réglage du guidon. Vérifier que les pivots du guidon sont bloqués en place. **VOIR FIGURE 3.**

REMARQUE : La hauteur du guidon est réglable. Voir « Régler la hauteur ou l'inclinaison du guidon » au chapitre Maintenance, entretien et entreposage.

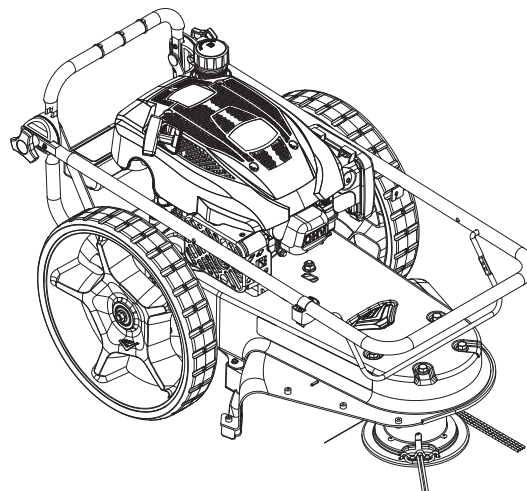


FIGURE 2

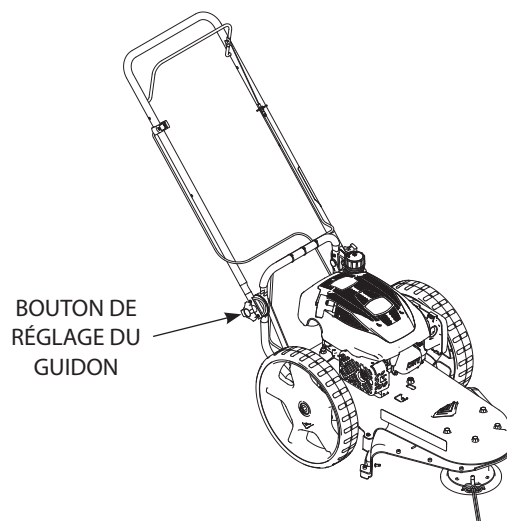


FIGURE 3



AVERTISSEMENT

- ⚠ FAIRE PREUVE DE PRÉCAUTION À PROXIMITÉ DES PIÈCES EN MOUVEMENT. LA TÊTE DE DÉBROUSSAILLAGE CONTINUE DE TOURNER PENDANT PLUSIEURS SECONDES APRÈS L'ARRÊT DU MOTEUR.

⚠ AVERTISSEMENT

- ⚠ RESPECTER LES INSTRUCTIONS DU FABRICANT DU MOTEUR CONCERNANT LE TYPE D'ESSENCE ET D'HUILE À UTILISER.
- ⚠ TOUJOURS UTILISER UN RÉCIPIENT DE SÉCURITÉ POUR L'ESSENCE. NE PAS FUMER LORSQU'ON FAIT LE PLEIN D'ESSENCE DE LA MACHINE.
- ⚠ NE PAS FAIRE LE PLEIN D'ESSENCE À L'INTÉRIEUR D'UN ESPACE FERMÉ. AVANT DE FAIRE LE PLEIN D'ESSENCE, ARRÊTER LE MOTEUR. LAISSER LE MOTEUR REFROIDIR PENDANT PLUSIEURS MINUTES.

PRÉPARATION DU MOTEUR

Voir le type d'essence et d'huile à utiliser dans les instructions du fabricant du moteur. Avant d'utiliser la machine, lire les informations sur la sécurité, l'utilisation, l'entretien et l'entreposage.

REMARQUE : Le moteur ne contient pas d'HUILE ni d'ESSENCE lorsqu'il est expédié de l'usine. Un entretien du moteur est nécessaire avant utilisation.

REEMPLIR LE CARTER D'HUILE

1. Retirer la jauge d'huile. Remplir le carter jusqu'au repère de remplissage **MAXIMUM** sur la jauge. **NE PAS TROP REMPLIR. VOIR FIGURE 4.**
2. Remettre la jauge d'huile en place et serrer fermement.

REEMPLIR LE RÉSERVOIR DE CARBURANT

Voir le type d'essence à utiliser dans les instructions du fabricant du moteur.

UTILISATION

COMMENT ARRÊTER LA TÊTE DE DÉBROUSSAILLAGE

Relâcher le levier de commande. Il revient à sa position écartée et débraye la tête de débroussaillage.

COMMENT ARRÊTER LE MOTEUR

Mettre l'interrupteur Marche/Arrêt en position Arrêt.

COMMENT UTILISER LE LEVIER DE COMMANDE DE LA TÊTE DE DÉBROUSSAILLAGE

1. Pour embrayer la tête de débroussaillage, tenir le levier de commande contre le guidon. Plus le régime du moteur est élevé et plus la tête de débroussaillage tourne vite. **VOIR FIGURE 5.**
2. Une fois la tête de débroussaillage en rotation, pousser la débroussailleuse vers l'avant pour débroussailler.

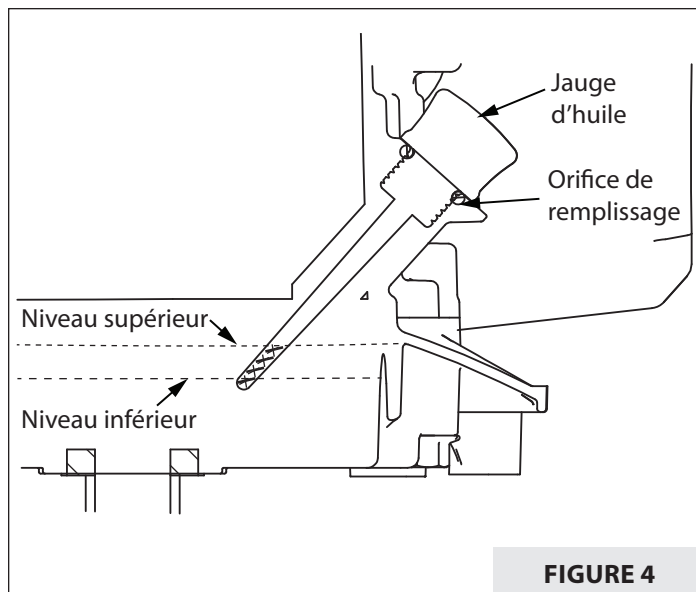


FIGURE 4

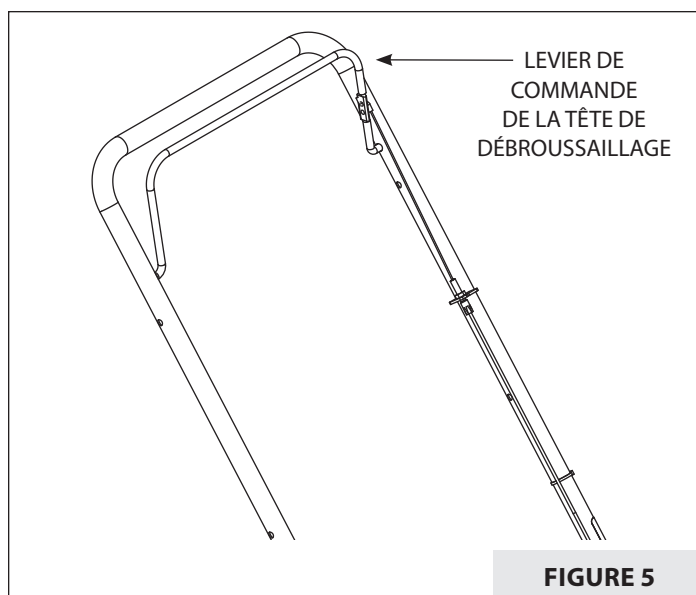


FIGURE 5

⚠ ATTENTION

- ⚠ UN MAUVAIS TRAITEMENT DE LA DÉBROUSSAILLEUSE PEUT L'ENDOMMAGER ET RACCOURCIR SA DURÉE DE SERVICE.
- ⚠ NE PAS TENTER DE LANCER OU DE DÉMARRER LE MOTEUR AVANT DE L'AVOIR PRÉPARÉ COMME IL SE DOIT AVEC L'HUILE RECOMMANDÉE, SOUS PEINE DE DÉFAILLANCE DU MOTEUR.

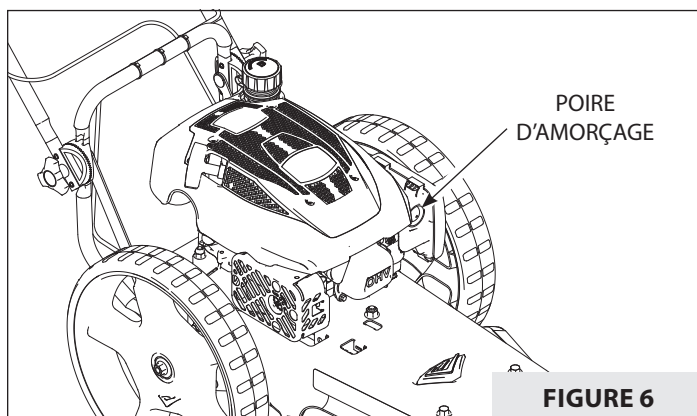
COMMANDE DES GAZ DU MOTEUR

La commande des gaz du moteur est réglée à l'usine. Ce réglage est destiné à assurer le bon régime de la débroussailleuse sous toutes les conditions d'exploitation.

UTILISATION DE LA POIRE D'AMORÇAGE

1. Appuyer sur la poire d'amorçage à trois reprises. Attendre deux secondes environ entre chaque pression. **VOIR FIGURE 6.**

REMARQUE : Ne pas utiliser la poire d'amorçage pour redémarrer un moteur chaud suite à un arrêt de courte durée. Un amorçage excessif peut noyer le moteur.



COMMENT DÉMARRER LE MOTEUR

REMARQUE : Le moteur dégage de la fumée la première fois qu'il est démarré. Cela provient de la combustion du revêtement protecteur qui couvre les pièces internes du moteur.

1. Avant chaque utilisation, éliminer les saletés du tamis filtrant. **VOIR LA FIGURE 1 À LA SECTION « CARACTÉRISTIQUES ».** Les saletés peuvent provoquer la surchauffe du moteur. Essuyer le tamis filtrant avec un chiffon ou une serviette en papier.
2. Mettre l'interrupteur Marche/Arrêt en position Marche.
3. Pour démarrer un moteur froid, appuyer trois fois sur la poire d'amorçage. Attendre deux secondes entre deux pressions sur la poire d'amorçage. **VOIR FIGURE 6.**
REMARQUE : Ne pas utiliser l'amorçage pour démarrer un moteur chaud.
4. Saisir fermement la poignée du lanceur à cordon de la main droite.
5. Tirer vivement sur la poignée du lanceur à cordon.

REMARQUE : Ne pas laisser le cordon du lanceur se rembobiner brutalement. Laisser le cordon du lanceur se rembobiner lentement en tenant la poignée du lanceur.

ASTUCE : Si le moteur ne démarre pas au bout de trois lancements, appuyer deux fois sur la poire d'amorçage et tirer de nouveau sur la poignée du lanceur.

CONSEILS DE DÉBROUSSAILLAGE

- Si l'herbe est haute et dense, utiliser la débroussailleuse en avançant lentement.
- Nettoyer fréquemment le dessous de la débroussailleuse pour éliminer toute accumulation d'herbe. Voir les détails au chapitre *Maintenance, entretien et entreposage.*
- Pour obtenir de meilleurs résultats et une plus grande durabilité des fils, utiliser les extrémités du fil pour effectuer la coupe. Pour cela, avancer lentement à travers les herbes épaisses et denses.
- Si les fils de débroussaillage deviennent trop courts, le travail prend plus de temps. Si les fils de débroussaillage sont usés jusqu'à moins de la moitié de leur longueur initiale, les remplacer par du fil neuf. Voir comment changer le fil de débroussaillage au chapitre *Maintenance, entretien et entreposage.*
- Ne pas débroussailler sur des pentes très raides. S'il est difficile de tenir debout sur une pente, ne pas la débroussailler. Ne pas débroussailler en pente si le sol est glissant ou mouillé. Débroussailler perpendiculairement à la pente, jamais de haut en bas.
- Le contact de la tête de débroussaillage avec le béton, l'asphalte et autres surfaces dures peut entraîner une usure prématurée du guide de hauteur.



AVERTISSEMENT

- ⚠ **NE PAS LAISSER LA DÉBROUSSAILLEUSE SANS SURVEILLANCE AVEC LE MOTEUR EN MARCHÉ. ATTENDRE L'ARRÊT COMPLET DES FILS DE DÉBROUSSAILLAGE.**
- ⚠ **NE JAMAIS FAIRE FONCTIONNER LE MOTEUR À L'INTÉRIEUR OU DANS UN ESPACE MAL AÉRÉ. L'ÉCHAPPEMENT DU MOTEUR CONTIENT DU MONOXYDE DE CARBONE, UN GAZ INODORE ET MORTEL. TENIR LES MAINS, LES PIEDS, LES CHEVEUX ET LES VÊTEMENTS AMPLES À L'ÉCART DE LA DÉBROUSSAILLEUSE ET DE TOUTE PIÈCE MOBILE SUR LE MOTEUR. ÉVITER DE TOUCHER LE SILENCIEUX ET LES SURFACES VOISINES. LES TEMPÉRATURES PEUVENT DÉPASSER 65 °C (150 °F).**
- ⚠ **DES DÉBRIS TELS QUE DES BRANCHES, DU GRAVIER OU DES PIERRES PEUVENT ÊTRE PROJETÉS AVEC SUFFISAMMENT DE FORCE POUR PROVOQUER DES BLESSURES OU DES DÉGÂTS MATÉRIELS.**

MAINTENANCE, ENTRETIEN ET ENTREPOSAGE

REMARQUE : L'entretien, le remplacement et la réparation des dispositifs et systèmes de contrôle des émissions peuvent être effectués par tout mécanicien ou atelier de réparation de moteurs hors route. Toutefois, ces éléments doivent être confiés à un concessionnaire agréé pour bénéficier d'un service de contrôle des émissions « sans frais ». Un bon entretien est essentiel pour réduire la pollution atmosphérique et assurer un fonctionnement sûr, économique et sans panne.

CALENDRIER D'ENTRETIEN

Opérations d'entretien	Avant chaque utilisation	Toutes les 25 heures	Voir la note	Date d'entretien
Contrôler les fils de débroussaillage	X		1	
Vérifier l'embrayage de la tête de débroussaillage	X			
Nettoyer le moteur et la machine	X		2	
Vérifier les vis et écrous	X			
Lubrifier l'arbre secondaire <i>(Voir la section « Régler la hauteur de coupe » dans ce manuel. Desserrer et faire glisser la tête de coupe vers le haut de l'arbre. Appliquer de la graisse NLGI 2 sur l'arbre. Resserrer la tête à la hauteur souhaitée.)</i>		X		
Lubrifier les paliers de roues		X		

Note 1 - Lorsque le fil usagé est à la moitié de sa longueur initiale, le remplacer par un fil neuf.

Note 2 - Nettoyer chaque jour en cas d'utilisation dans des conditions extrêmement sales ou poussiéreuses.

CONSEILS GÉNÉRAUX

La garantie de cette débroussailleuse ne couvre pas les pièces qui ont fait l'objet d'emploi abusif ou de négligence. Pour bénéficier pleinement de la garantie, la débroussailleuse doit être entretenue conformément aux instructions de ce manuel.

Certains ajustements périodiques sont nécessaires pour entretenir correctement la débroussailleuse. Tous les réglages de la section « Réparations et réglages » de ce manuel doivent être vérifiés au moins une fois par saison.



AVERTISSEMENT

AVANT TOUT CONTRÔLE, NETTOYAGE OU ENTRETIEN DE LA DÉBROUSSAILLEUSE, ARRÊTER LE MOTEUR. S'ASSURER QUE TOUTES LES PIÈCES EN MOUVEMENT SONT À L'ARRÊT. DÉBRANCHER LE CÂBLE DE LA BOUGIE.

CHANGER L'HUILE MOTEUR

S'assurer que le moteur est à l'arrêt et posé sur une surface de niveau avant de contrôler et de compléter le niveau d'huile. Il est préférable que le moteur soit chaud pour faciliter la vidange de l'huile.

- Débrancher le câble de bougie et l'écarter de la bougie. Si le moteur est équipé d'une batterie, débrancher à la borne négative.
- Retirer la jauge d'huile et incliner le moteur avec précaution vers le côté jauge d'huile pour vider l'huile par l'orifice de remplissage. Vider l'huile dans un récipient adapté et l'éliminer comme il se doit. **VOIR FIGURE 7.**
- Remettre le moteur sur une surface de niveau et remplir d'une huile appropriée jusqu'en haut du marquage sur la jauge de niveau (**VOIR FIGURE 8**). **NE PAS TROP REMPLIR.** Voir la capacité d'huile exacte dans les instructions du fabricant du moteur.
- Remettre la jauge en place et serrer. **VOIR FIGURE 8.**

CHANGER LE FIL DE DÉBROUSSAILLAGE

Pour obtenir des résultats optimaux, utiliser du fil de débroussaillage de gros calibre (diamètre 4 mm [0,155 po]). Couper le fil de débroussaillage à une longueur de 54,6 cm (21,5 po). Utiliser le guide de longueur, sur le bouclier, pour vérifier la bonne longueur du fil. Placer une extrémité du fil au point A et courber le fil autour de la partie surélevée du bouclier. Couper le fil au point B. **VOIR FIGURE 9.**

Ne pas laisser la longueur de fil varier de plus de 25 mm (1 po). C'est important pour assurer le bon équilibrage de la tête de débroussaillage et éviter les vibrations.

REMARQUE : Pour prolonger la durée de service du fil de débroussaillage, maintenir le fil humide. S'il n'est pas maintenu humide, le fil de nylon devient sec et cassant. Conserver le fil de débroussaillage de réserve dans un bidon d'eau. Le fil reste alors souple et facile à changer. Un fil souple est aussi beaucoup plus durable.

1. Arrêter le moteur. Attendre l'arrêt complet de toutes les pièces en mouvement.
2. Détacher le fil de débroussaillage usagé du porte-fil.
3. Passer d'abord les extrémités du fil de débroussaillage neuf à travers les boucles extérieures. **VOIR FIGURE 10A.**
4. Ramener ensuite les extrémités du fil par dessus le porte-fil et les faire passer à travers le passage central. **VOIR FIGURE 10B.**
5. Vérifier enfin que les deux bouts du fil sont à la même longueur. **VOIR FIGURE 10C.**

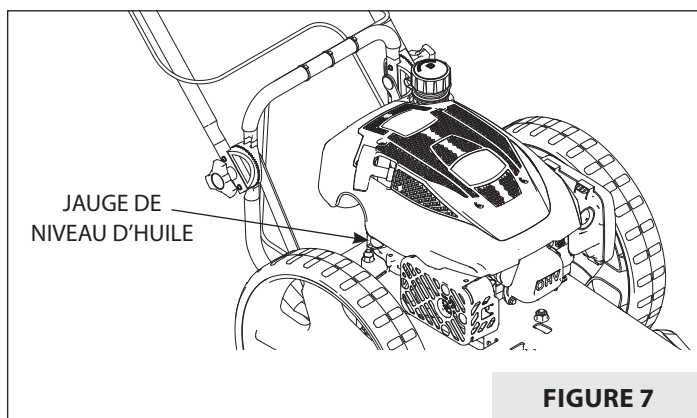


FIGURE 7

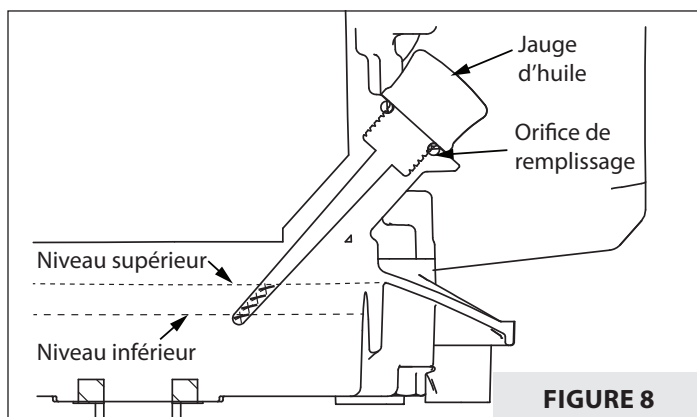


FIGURE 8

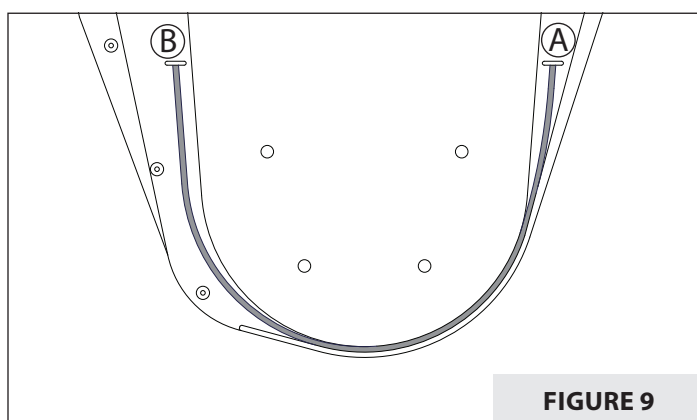


FIGURE 9

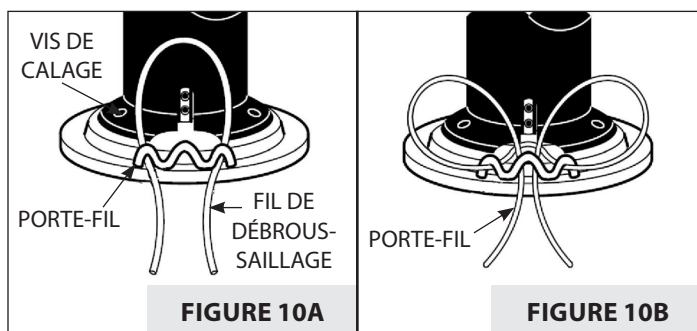


FIGURE 10A

FIGURE 10B

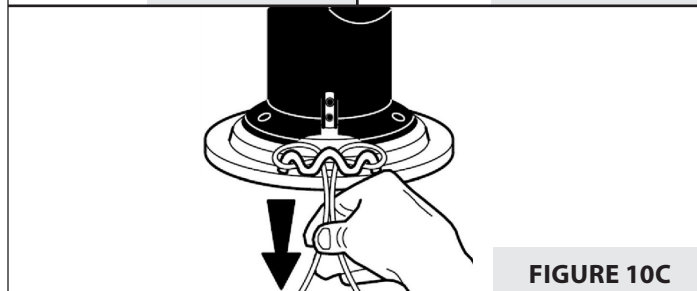


FIGURE 10C

DÉTACHER LES ROUES

Pour détacher une roue, dévisser l'écrou d'axe et retirer la roue, la bague d'espacement et la rondelle-frein. Inverser ces instructions pour remonter la roue. **VOIR FIGURE 13.**

RÉGLER LA HAUTEUR OU L'INCLINAISON DU GUIDON

Utiliser les boutons de part et d'autre du guidon pour régler sa hauteur. **VOIR FIGURE 14.**

1. Tenir le guidon d'une main et desserrer les deux boutons jusqu'à dégager la denture. Ne pas détacher les vis.
2. Relever ou abaisser le guidon jusqu'à la position souhaitée puis aligner les dents. S'assurer que les deux côtés du guidon sont au même niveau.
3. Serrer (bloquer) les boutons.



AVERTISSEMENT

⚠ **AVANT DE RÉGLER LA HAUTEUR DE COUPE, ARRÊTER LE MOTEUR. ATTENDRE L'ARRÊT COMPLET DE TOUTES LES PIÈCES EN MOUVEMENT. LAISSER LE MOTEUR REFROIDIR ET DÉBRANCHER LE CÂBLE DE LA BOUGIE.**

RÉGLER LA HAUTEUR DE COUPE

La hauteur de coupe peut être réglée de 38 à 76 mm (1,5 à 3 po). La hauteur de coupe conseillée pour une pelouse moyenne est de 50 mm (2 po). **VOIR FIGURE 15.**

1. Utiliser la clé coudée trouvée dans le sachet de pièces pour desserrer les vis à tête six pans creux illustrées dans la figure ci-dessous.

REMARQUE : Il y a deux vis à tête six pans creux.

2. Régler la tête de débroussaillage à la hauteur souhaitée.
3. Serrer les vis à tête six pans creux.

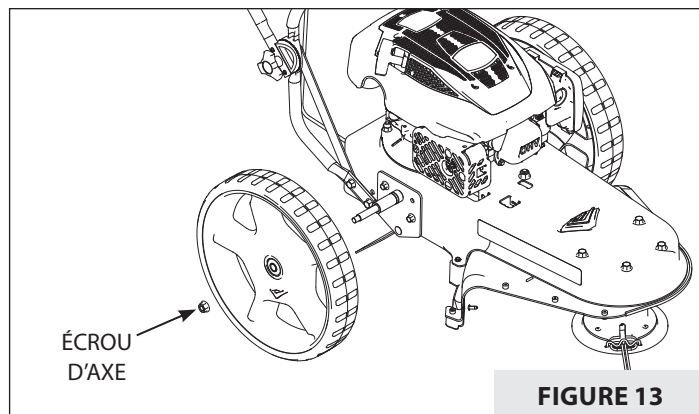


FIGURE 13

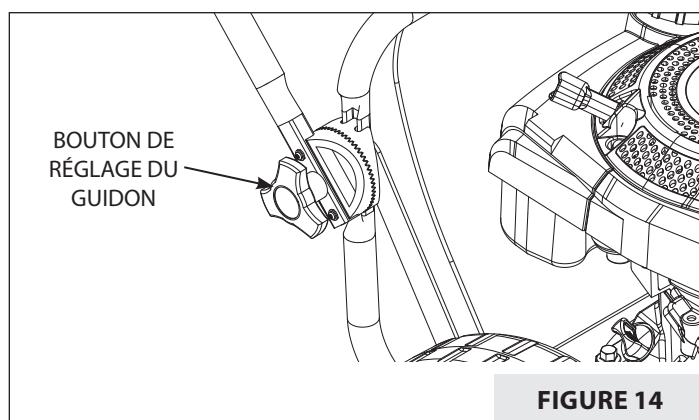


FIGURE 14

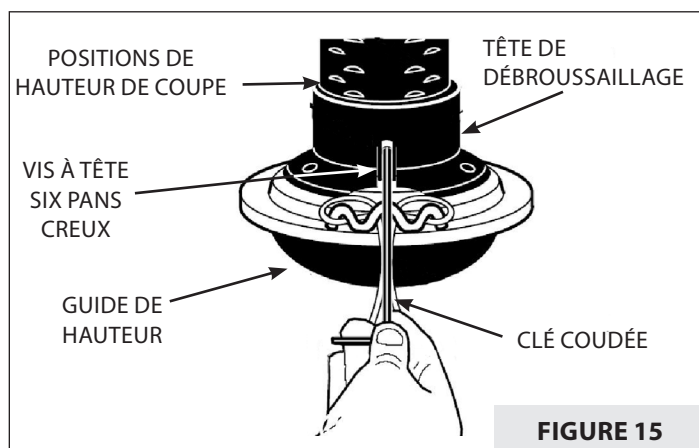


FIGURE 15

⚠ AVERTISSEMENT

⚠ AVANT DE DÉMONTER LA COURROIE D'ENTRAÎNEMENT, DÉBRANCHER LE CÂBLE DE LA BOUGIE.

IMPORTANT

FAIRE UN ESSAI DU SYSTÈME D'ENTRAÎNEMENT. DÉMARRER LE MOTEUR PUIS EMBRAYER ET DÉBRAYER PLUSIEURS FOIS LA TÊTE DE DÉBROUSSAILLAGE. LORSQU'ELLE EST DÉBRAYÉE, VÉRIFIER QUE LA TÊTE DE DÉBROUSSAILLAGE S'ARRÊTE COMPLÈTEMENT SI ELLE REPOSE SUR LE SOL. SI LA TÊTE DE DÉBROUSSAILLAGE CONTINUE DE TOURNER, APPORTER LA DÉBROUSSILLEUSE À UN CENTRE DE RÉPARATION AGRÉÉ.

CHANGER LA COURROIE D'ENTRAÎNEMENT

Pour changer la courroie d'entraînement, la tête de débroussaillage et le bouclier doivent avoir été démontés comme suit : **VOIR FIGURES 16 ET 17.**

1. Retirer les deux vis de fixation l'arrière du bouclier sur le carter de débroussaillage.
2. Retirer les quatre vis qui maintiennent l'avant du bouclier et la tête de débroussaillage sur le carter débroussaillage.
3. Relever l'avant du carter de débroussaillage et détacher la courroie d'entraînement.
4. Démontez la poulie trapézoïdale du support de poulie folle.
REMARQUE : Sur certains modèles, il est nécessaire de desserrer la vis de fixation de la poulie d'entraînement pour démonter la courroie d'entraînement. Ne pas déformer les guides de courroie. Utiliser uniquement des courroies de rechange d'origine.
5. Pour monter la courroie d'entraînement, inverser les étapes ci-dessus. S'assurer que toute la visserie est bien serrée. S'assurer que la vis de fixation de la poulie d'entraînement est bien serrée.
6. Vérifier le placement de la courroie d'entraînement. S'assurer que la courroie d'entraînement est à l'intérieur des guides de courroie comme sur l'illustration.

⚠ AVERTISSEMENT

⚠ NE PAS VIDER L'ESSENCE À L'INTÉRIEUR D'UN BÂTIMENT, À PROXIMITÉ D'UNE FLAMME OU EN FUMANT UNE CIGARETTE. LES VAPEURS D'ESSENCE PEUVENT PROVOQUER UNE EXPLOSION OU UN INCENDIE.

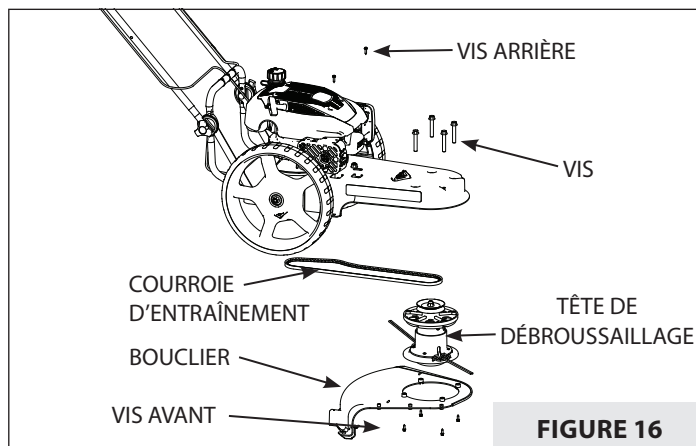


FIGURE 16

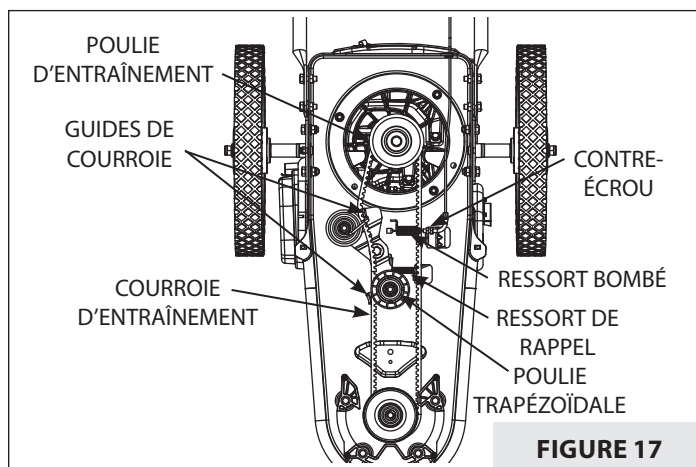


FIGURE 17

RÉGLAGE DE TENSION DE LA COURROIE

Une courroie bien tendue est essentielle au bon fonctionnement. Au bout d'une demi-heure d'utilisation, il peut être nécessaire d'ajuster le câble d'embrayage en raison de son étirement initial. Par la suite, vérifier la tension toutes les deux heures d'utilisation. La tension est correcte si le ressort bombé s'allonge de 3 à 6 mm (1/8 à 1/4 po) lorsque le levier d'entraînement est engagé.

Pour augmenter la tension de la courroie :

1. Desserrer le contre-écrou supérieur sur le câble d'ajustement. **VOIR FIGURE 18.**
2. Serrer le contre-écrou inférieur par intervalles de 3 mm (1/8 po), en veillant à ne pas produire une tension excessive.
3. Pour vérifier le réglage, mesurer l'allongement du ressort bombé lorsque le levier d'entraînement est engagé (l'allongement correct du ressort est de 3 à 6 mm [1/8 po à 1/4 po]).
4. Une fois le réglage correct, serrer le contre-écrou inférieur.

REMARQUE : Il y a un deuxième ajustement de câble sous le carter de débroussaillage si la machine n'embraye toujours pas correctement après le premier ajustement. **VOIR FIGURE 17.**

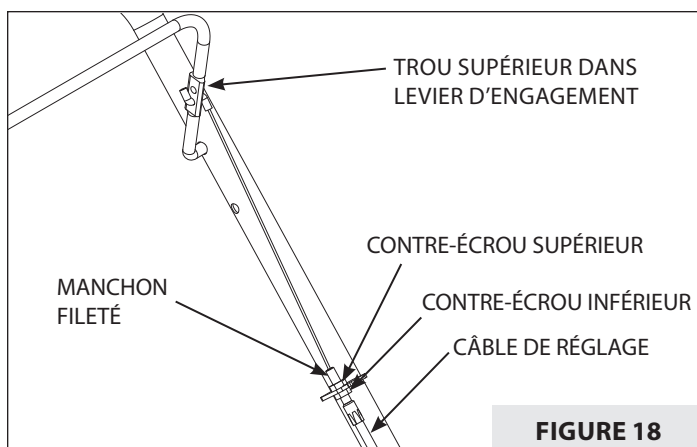


FIGURE 18

REMARQUE : Un court ronflement peut être audible lorsqu'on relâche le levier de commande d'embrayage. C'est un bruit normal provoqué par les dents de la courroie crantée lorsqu'elles accrochent le guide-courroie métallique, ce qui interrompt la rotation de la courroie. Cela ne signifie pas que la tension de courroie doit être ajustée.

REMARQUE : Plus il y a de filets du manchon fileté du câble dépassant sous la patte de fixation et plus la courroie est tendue.

ENTREPOSAGE

Si la débroussailleuse doit être entreposée pendant trente jours ou plus, suivre les instructions ci-dessous pour assurer le bon état de la débroussailleuse la saison suivante.

DÉBROUSSAILLEUSE :

Nettoyer complètement la débroussailleuse

Retirer le fil et le mettre au rebut ou le conserver dans un récipient hermétique. Mettre la débroussailleuse dans un bâtiment bien aéré.

REMARQUE : Une mise au point ou un contrôle annuel par un concessionnaire-réparateur agréé permet d'assurer un fonctionnement optimal de la débroussailleuse la saison suivante.

MOTEUR :

REMARQUE IMPORTANTE : Il est important d'empêcher la formation de résidus gommeux dans les parties du circuit de carburant telles que le carburateur, le filtre à carburant, la durite et le réservoir durant l'entreposage. En outre, l'utilisation de carburants contenant de l'alcool (essence-alcool, éthanol ou méthanol) peut attirer l'humidité, ce qui provoque sa séparation et la formation d'acides durant l'entreposage. Les gaz acides peuvent endommager le circuit de carburant du moteur durant son entreposage.

1. Vidanger toute l'essence du réservoir de carburant. Laisser le moteur tourner jusqu'à ce qu'il soit à court d'essence. Si on ne souhaite pas vidanger l'essence, ajouter du stabilisateur de carburant à l'essence restante dans le réservoir. Un stabilisateur de carburant permet de minimiser la formation de dépôts gommeux et d'acides. Si le réservoir est presque vide, mélanger le stabilisateur de carburant à de l'essence fraîche dans un récipient séparé et verser le mélange dans le réservoir. Toujours respecter les instructions figurant sur le récipient de stabilisateur. Faire tourner le moteur pendant au moins dix minutes après l'ajout de stabilisateur pour permettre au mélange d'atteindre le carburateur.
2. Vidanger l'huile à partir d'un moteur chaud. Remplir le carter du moteur d'huile neuve.
3. Démontez la bougie du cylindre. Verser 30 ml (1 oz) d'huile dans le cylindre. Tirer lentement sur la poignée du lanceur afin que l'huile protège le cylindre. Monter une bougie neuve dans le cylindre.
4. Nettoyer complètement la débroussailleuse, y compris la saleté et les débris des ailettes de refroidissement du cylindre et du carter du moteur.
5. Lorsque la machine n'est pas utilisée, débrancher le câble de bougie et entreposer dans un endroit bien aéré inaccessible aux enfants.

DÉPANNAGE ET RÉPARATION

Nous intégrons la qualité et la durabilité dans la conception de nos produits; mais toute la conception soignée et tout l'entretien attentionné ne sauraient garantir une existence totalement exempte de réparation de cette débroussailleuse à fil. La majorité des problèmes sont mineurs et aisément résolus en suivant les indications du guide de dépannage de cette section.

Ce guide aide à diagnostiquer les causes des problèmes les plus courants et à identifier leurs solutions.

Pour les réparations plus compliquées, il est préférable de s'adresser à un centre de réparation agréé. Une liste des pièces détachées est fournie sous forme d'encart séparé avec le manuel de ce produit.

Nous sommes toujours heureux de répondre à toute question ou d'aider à trouver l'assistance nécessaire. Pour commander des pièces ou se renseigner sur la garantie, téléphoner ou envoyer un courriel aux coordonnées ci-dessous ou à celles figurant à la page « Contact us » (Nous contacter) sur notre site Web.

COMMANDER DES PIÈCES DE RECHANGE

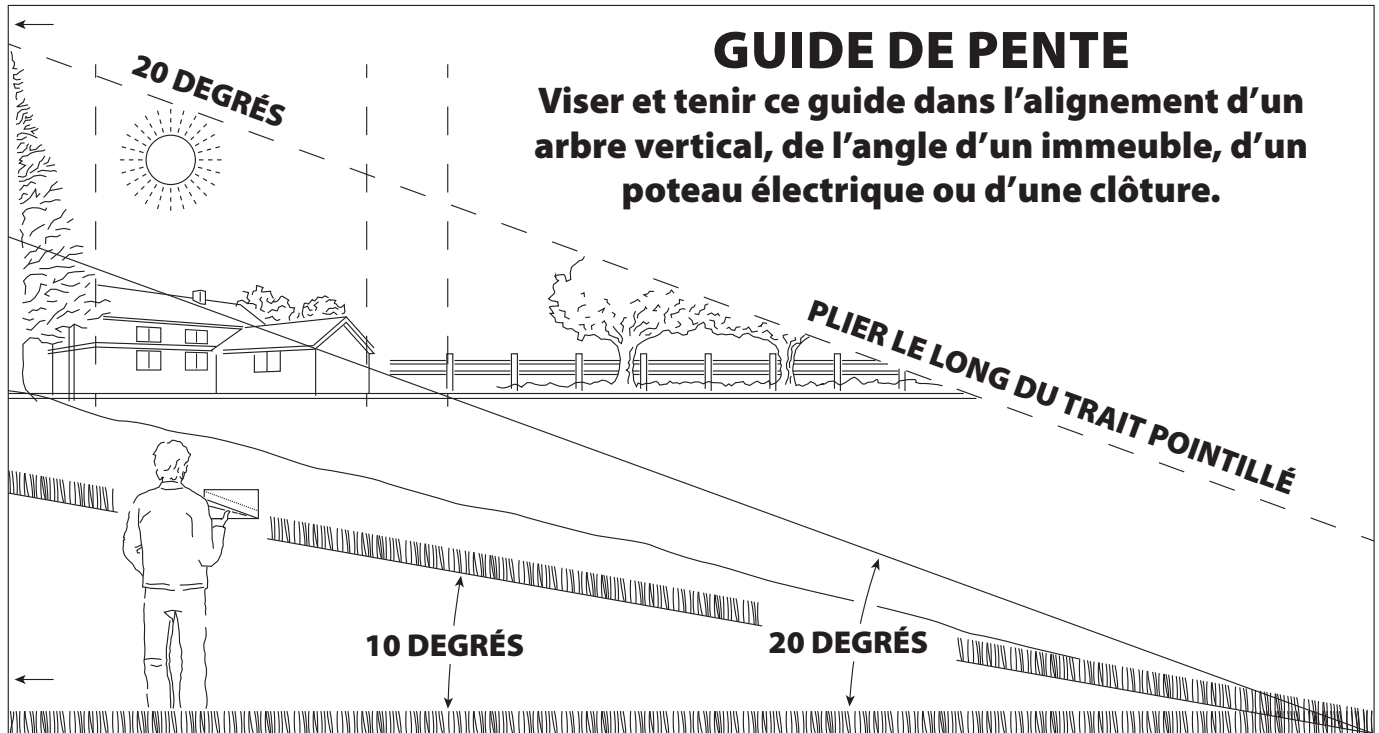
Les pièces peuvent s'obtenir directement auprès de l'usine. Pour commander des pièces, visiter le site Web indiqué au bas de la page ou composer le (800) 345-6007. Veiller à inclure les informations suivantes avec la commande :

référence des pièces, description des pièces, quantité, numéro de modèle et numéro de série.

GUIDE DE DÉPANNAGE :

Problème	Cause	Correction
Le moteur ne démarre pas	Câble de bougie débranché	Brancher le câble de bougie
	Moteur non amorcé	Amorcer le moteur
	Bougie défectueuse ou d'écartement incorrect	Contrôler ou changer la bougie
	Réservoir de carburant vide	Ajouter du carburant
	Carburateur ou tuyau de carburant sale	Nettoyer le carburateur ou la conduite de carburant
	Filtre à air sale	Changer le filtre à air
	Carburateur dérégulé	Pour régler le carburateur, apporter la machine à un centre de réparation agréé
	Moteur noyé	Attendre quelques minutes avant de le démarrer
	Interrupteur Marche/Arrêt en mauvaise position	Mettre l'interrupteur en position Marche
	Essence viciée	Vidanger l'essence usagée et remplir d'essence fraîche
Câble ou interrupteur Marche/Arrêt défectueux	Contrôler et changer les pièces endommagées	
Le moteur tourne mal	Bougie défectueuse	Changer la bougie
	Filtre à air sale	Changer le filtre à air
	Carburateur dérégulé	Pour régler le carburateur, apporter la machine à un centre de réparation agréé
	Essence viciée	Vidanger l'essence usagée et remplir d'essence fraîche
	Système de refroidissement du moteur encrassé	Nettoyer le tamis filtrant et les ailettes de refroidissement du moteur
Le moteur surchauffe	Système de refroidissement du moteur encrassé	Nettoyer le tamis filtrant et les ailettes de refroidissement du moteur
	Carburateur dérégulé	Pour régler le carburateur, apporter la machine à un centre de réparation agréé
	Niveau d'huile insuffisant	Compléter le niveau d'huile
Le moteur ne s'arrête pas	Interrupteur Marche/Arrêt défectueux	Contrôler et changer les pièces endommagées
	Fil débranché de l'interrupteur Marche/Arrêt	Contrôler, réparer ou changer les pièces endommagées
Débroussaillage peu satisfaisant	Fil de débroussaillage trop court	La longueur de fil correcte est 54,6 cm (21,5 po). Changer le fil s'il est à moins de la moitié de sa longueur.
	Courroie étirée	Ajuster l'engagement de la courroie
La débroussailleuse vibre	Les vis à tête six pans creux de la tête de débroussaillage sont desserrées	Serrer les vis six pans creux avec la clé coudée
	Les longueurs de fil de débroussaillage sont nettement différentes	Ajuster le fil à des longueurs sensiblement égales
	Vis et écrous desserrés	Vérifier le serrage des vis et écrous, y compris des vis du moteur
	Tête de débroussaillage cassée	Changer la pièce cassée
La tête de débroussaillage ne retient pas le fil	Fil de débroussaillage mal attaché	Suivre les instructions sur l'autocollant ou au chapitre « Maintenance, entretien et entreposage » du manuel de l'utilisateur
	Porte-fil cassé	Changer la tête de débroussaillage entière
	Fil de débroussaillage de section incorrecte	Utiliser du fil de 4 mm (0,155 po) de diamètre

GUIDE DE PENTE



Utiliser ce guide pour déterminer l'angle de la pente.

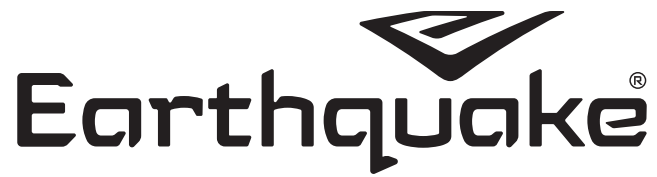
NE PAS FAUCHER DANS UNE PENTE SUPÉRIEURE À 20 DEGRÉS.

- Une pente de 10 degrés est un terrain qui s'élève d'environ 1,76 m en hauteur sur 10 mètres de distance.
- Une pente de 20 degrés est un terrain qui s'élève d'environ 3,64 m en hauteur sur 10 mètres de distance.



AVERTISSEMENT

FAIRE PREUVE DE GRANDE PRUDENCE EN PERMANENCE ET ÉVITER LES VIRAGES OU MANŒUVRES BRUSQUES. RESPECTER LES AUTRES INSTRUCTIONS DANS CE MANUEL CONCERNANT LA SÉCURITÉ DU FAUCHAGE DANS LES PENTES. N'UTILISEZ JAMAIS UNE TONDEUSE SUR DES PENTES ASCENDANTES ET DESCENDANTES, UTILISEZ-LA UNIQUEMENT SUR DES PENTES. FAIRE PREUVE DE BEAUCOUP DE PRÉCAUTION LORS DE L'UTILISATION SUR OU À PROXIMITÉ DE PENTES OU D'OBSTRUCTIONS.



GROUNDBREAKING POWER EQUIPMENT

1730 Industrial Avenue
PO Box 666
Cumberland, WI 54829

Phone, Téléphone : (800) 345-6007
Fax, Télécopieur : (715) 822-2124
www.getearthquake.com