

L8 MagicPanel

LCD SMART SWITCH

L8 Is a Complete Smart Home System

L8 series includes five-in-one switch / Smart dimmer / Smart thermostat / Smart water heater / Smart socket / Smart IR repeater (controller such as air conditioner TV) / You can easily build a complete smart home.



L8-HS (1/2/3 gang light switch, Curtain switch, Scene switch)



EU standard-White



EU standard-Black

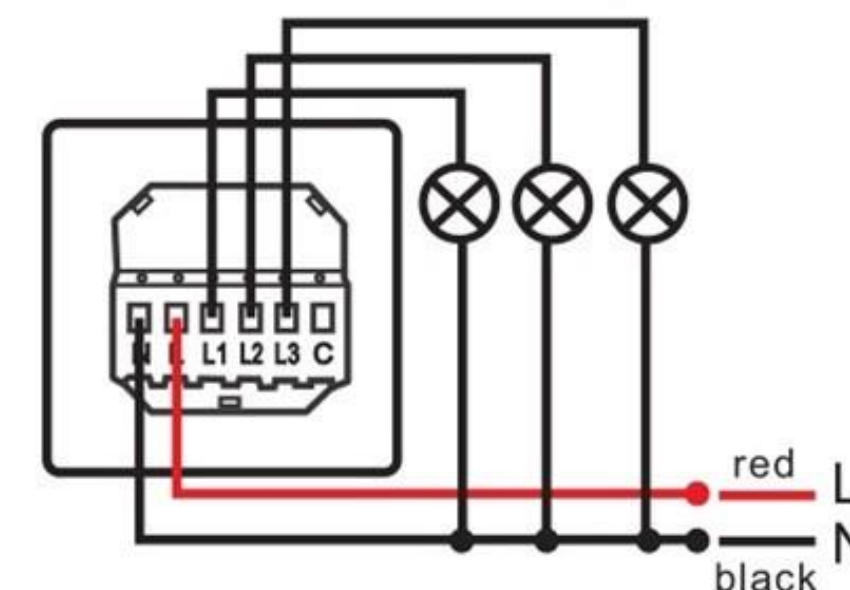


US standard-White

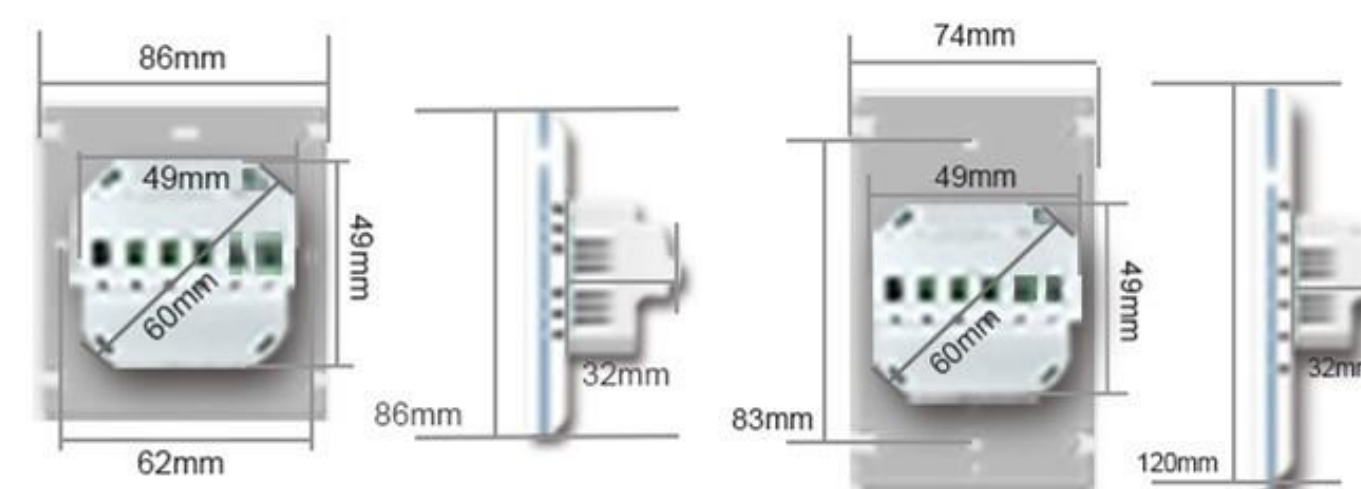


US standard-Black

Wiring Diagram



Size Diagram



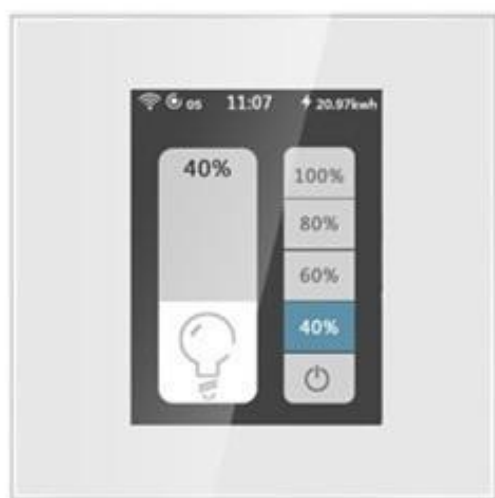
Package



PRODUCT PARAMETERS

SIZE:	86×86mm/120×74mm
ITEM NO:	L8-HS
WEIGHT:	0.3kg
PACKING BOX SIZE:	102.6mm*141mm*51.1mm
PANEL:	Capacitive touch screen
BOTTOM MATERIALS:	Retardant PC
RATED VOLTAGE:	AC 100-250V 50/60Hz
RATED LOAD:	200W
LOAD TYPE:	INCANDESCENT LAMP, ENERGY SAVING LAMP, FLUORESCENT
WIRELESS STANDARDS:	IEEE 802.11b/g/n
FREQUENCY RANGE:	2.405GHz~2.480GHz
RECEIVING SENSITIVITY:	-97dBm@250kbps
OPERATING TEMPERATURE:	-25 °C +60 °C
RELATIVE HUMIDITY:	<95%

L8-HD (LCD Dimmer switch)



EU standard-White



EU standard-Black

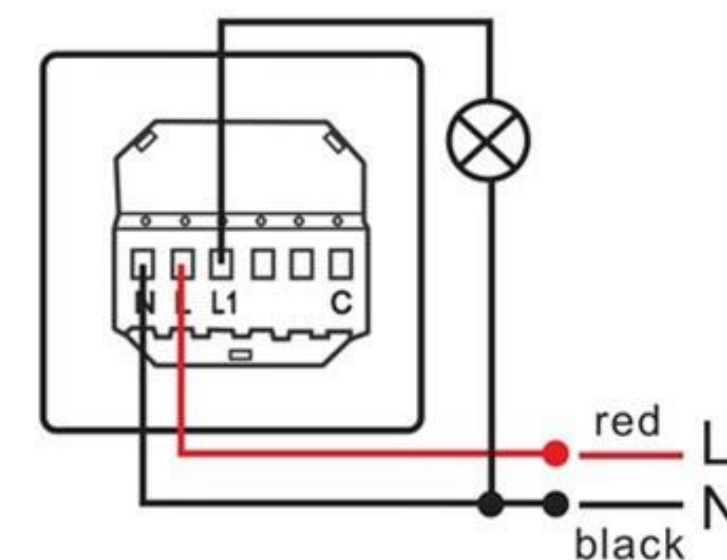


US standard-White

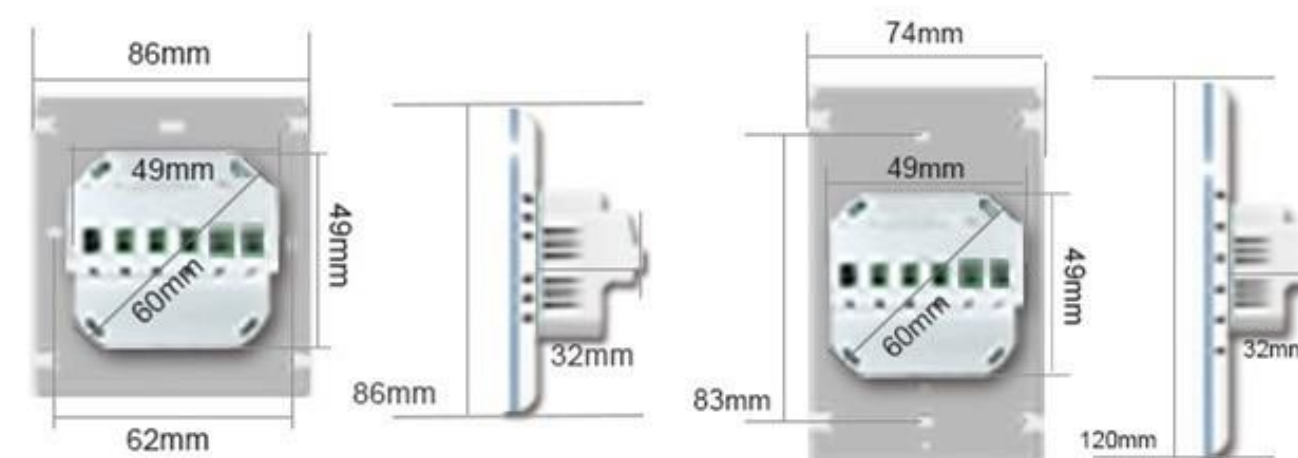


US standard-Black

Wiring Diagram



Size Diagram



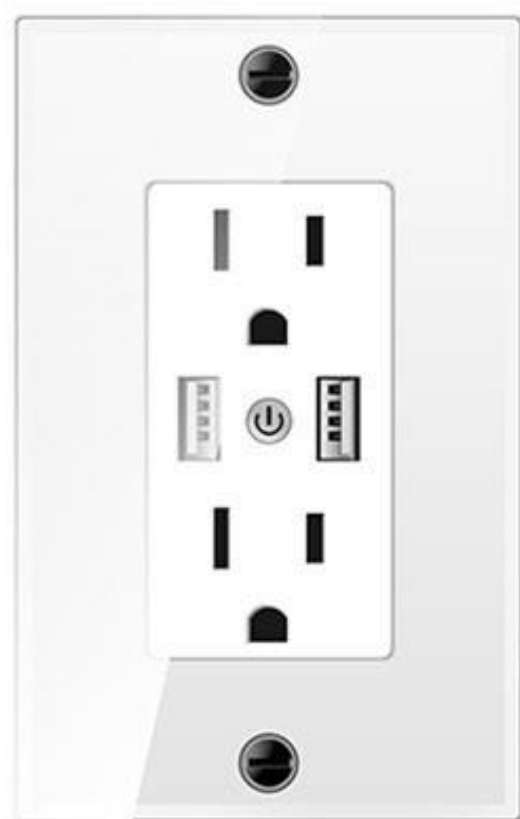
Package



PRODUCT PARAMETERS

SIZE:	86×86mm/120×74mm
ITEM NO:	L8-HD
WEIGHT:	0.3kg
PACKING BOX SIZE:	102.6mm*141mm*51.1mm
PANEL:	Capacitive touch screen
BOTTOM MATERIALS:	Retardant PC
RATED VOLTAGE:	AC 100-250V 50/60Hz
RATED LOAD:	200W
LOAD TYPE:	Incandescent lamp , LED lamp
WIRELESS STANDARDS:	IEEE 802.11b/g/n
FREQUENCY RANGE:	2.405GHz~2.480GHz
RECEIVING SENSITIVITY:	-97dBm@250kbps
OPERATING TEMPERATURE:	-25 °C +60 °C
RELATIVE HUMIDITY:	<95%

L8-HOU (US Smart Socjet)



US standard-White

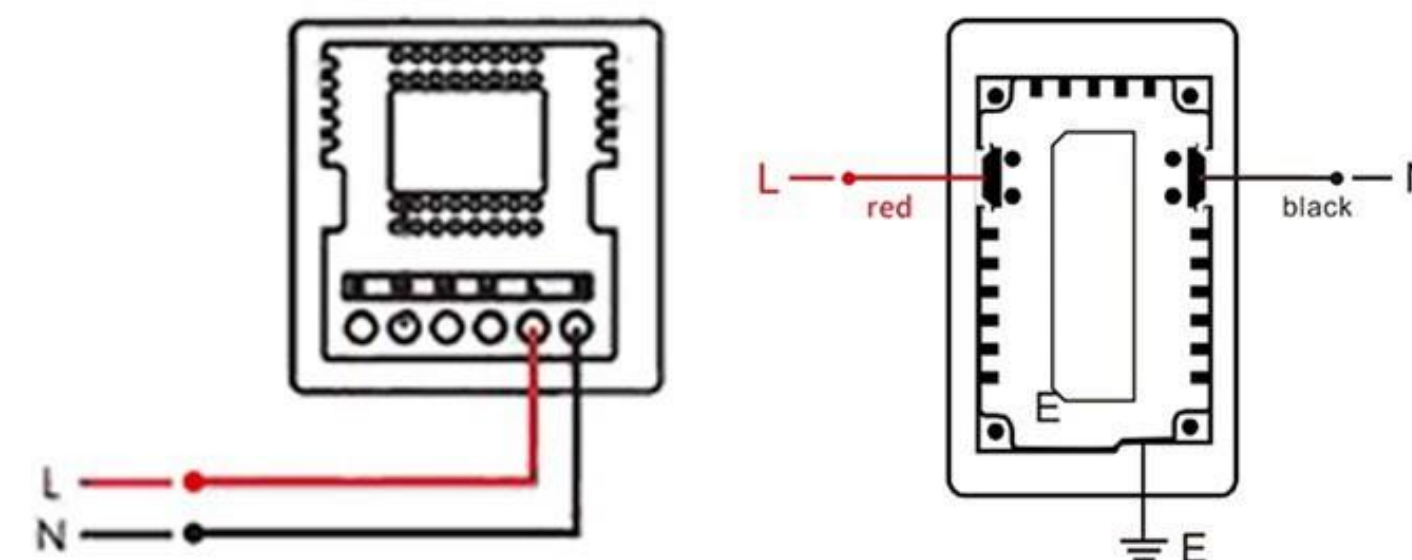


US standard-Black

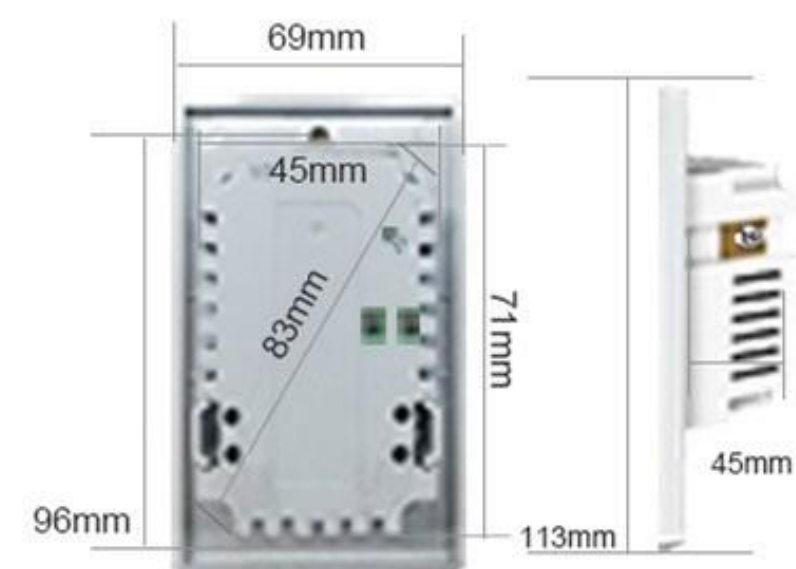
PRODUCT PARAMETERS

SIZE:	86×86mm/113×69mm
ITEM NO:	L8-HOU
WEIGHT:	0.3kg
PACKING BOX SIZE:	102.6mm*141mm*51.1mm
PANEL:	Capacitive touch screen
BOTTOM MATERIALS:	Retardant PC
RATED VOLTAGE:	AC 100-250V 50/60Hz
RATED LOAD:	16A
LOAD TYPE:	NO Limited
WIRELESS STANDARDS:	IEEE 802.11b/g/n
FREQUENCY RANGE:	2.405GHz~2.480GHz
RECEIVING SENSITIVITY:	-97dBm@250kbps
OPERATING TEMPERATURE:	-25 °C +60 °C
RELATIVE HUMIDITY:	<95%

Wiring Diagram

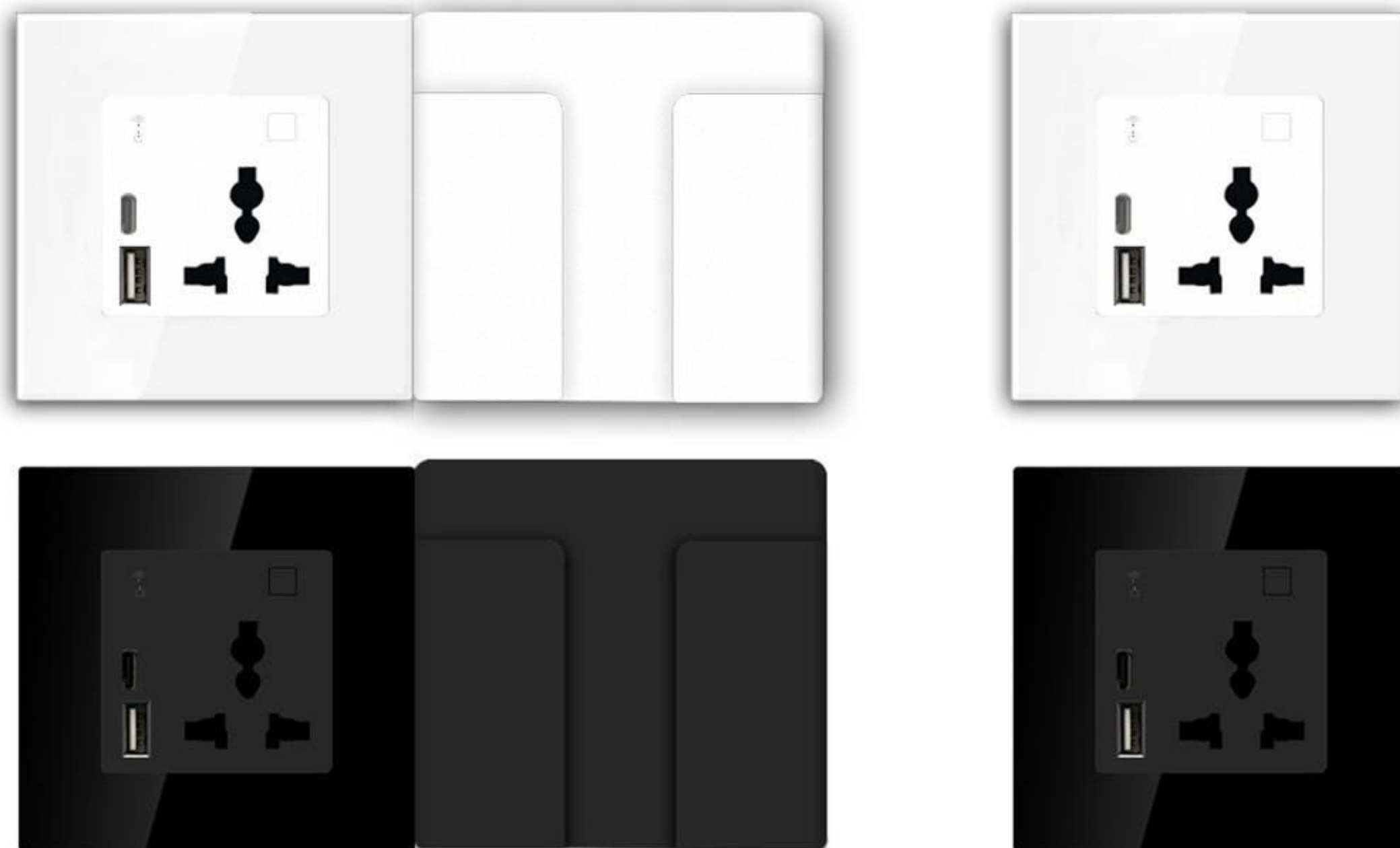


Size Diagram

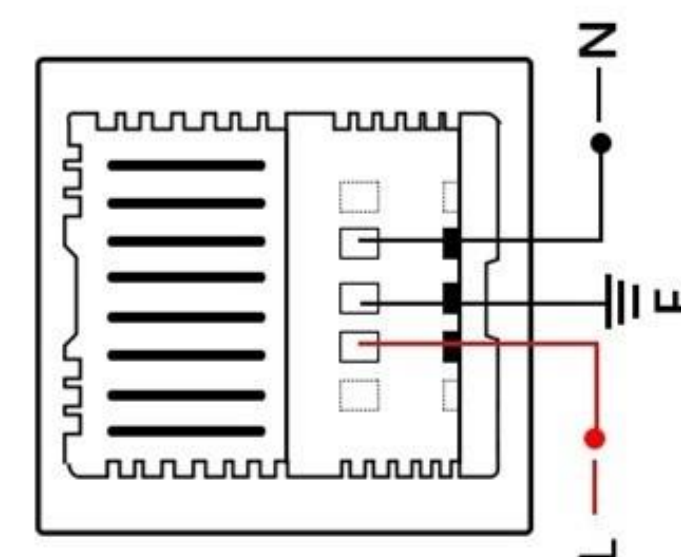


Package

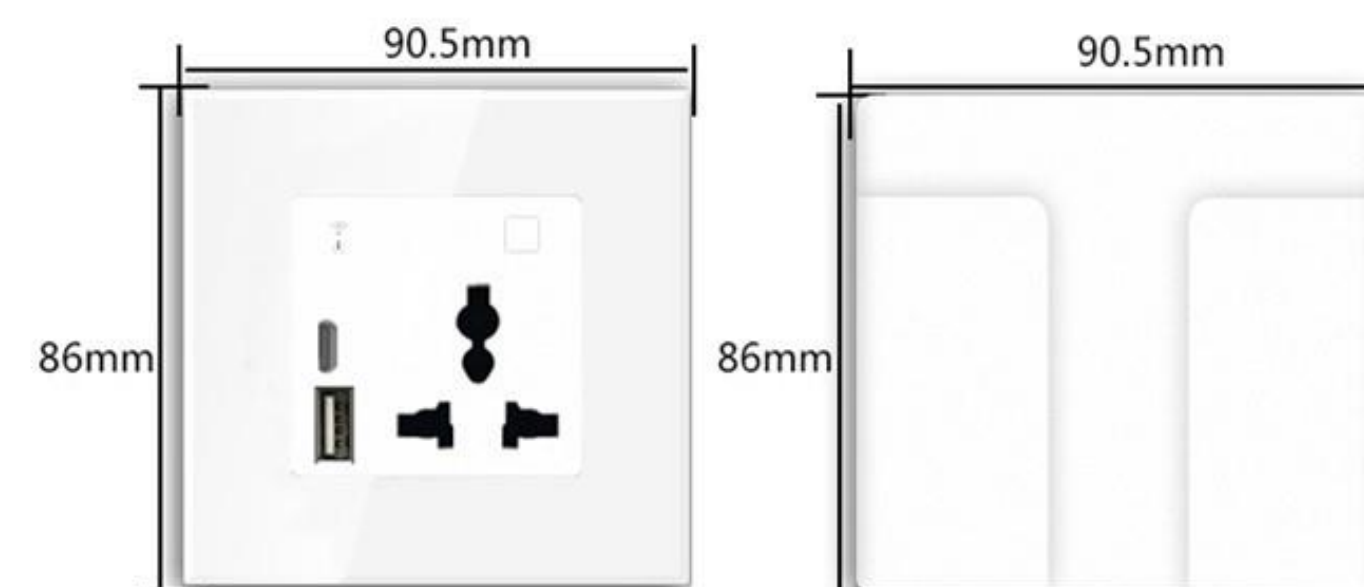




Wiring Diagram



Size Diagram

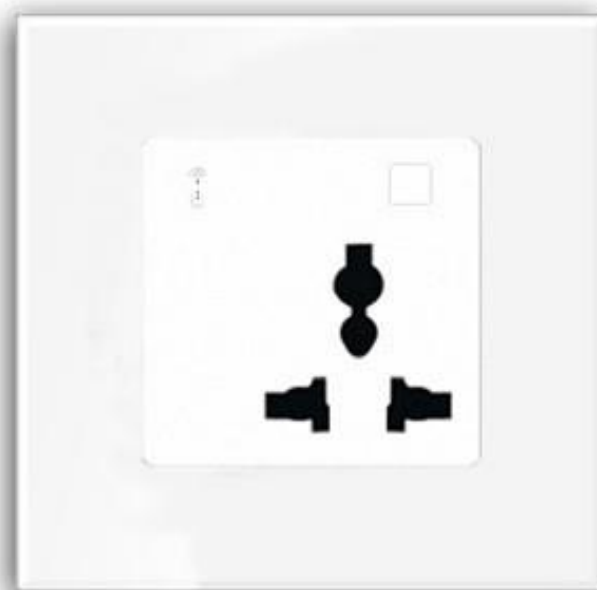


Package



PRODUCT PARAMETERS

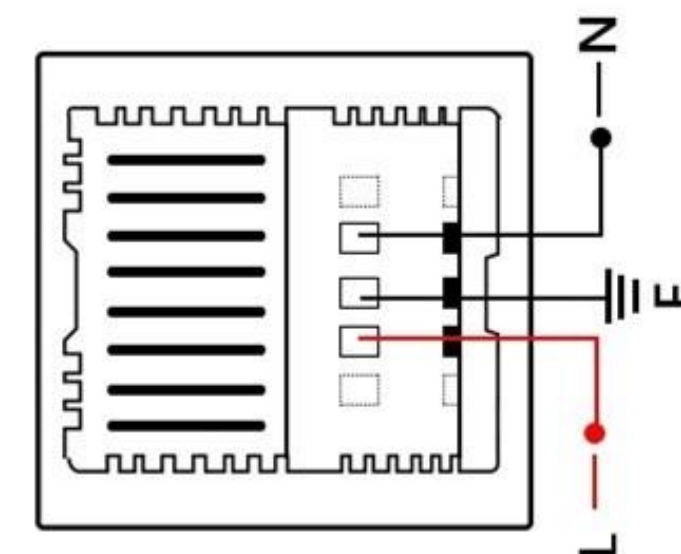
SOCKET SIZE:	86×90.5×40mm
BRACKET SIZE:	86×90.5×26mm
ITEM NO:	L8-HOC-K、L8-HOC
PANEL :	Tempered Crystal Glass
BOTTOM MATERIALS:	Retardant PC
RATED VOLTAGE:	AC 100-250V 50/60Hz
USB-A OUTPUT :	dc 5V/3a、9v/2a、12v/1.5a
USB-C OUTPUT :	dc 5V/3a、9v/2a、12v/1.5a
DUAL PORT TOTAL OUTPUT :	dc 5V/3a
DUAL PORT TOTAL OUTPUT :	20W max
RATED LOAD:	16A
LOAD TYPE:	Various household appliances
WIRELESS STANDARDS:	IEEE 802.11b/g/n
FREQUENCY RANGE:	2.405GHz~2.480GHz
RECEIVING SENSITIVITY:	-97dBm@250kbps
OPERATING TEMPERATURE:	-25 °C +60 °C
RELATIVE HUMIDITY:	<95%

Universal USB socket
L8-HOCSUSB socket
L8-HOCU

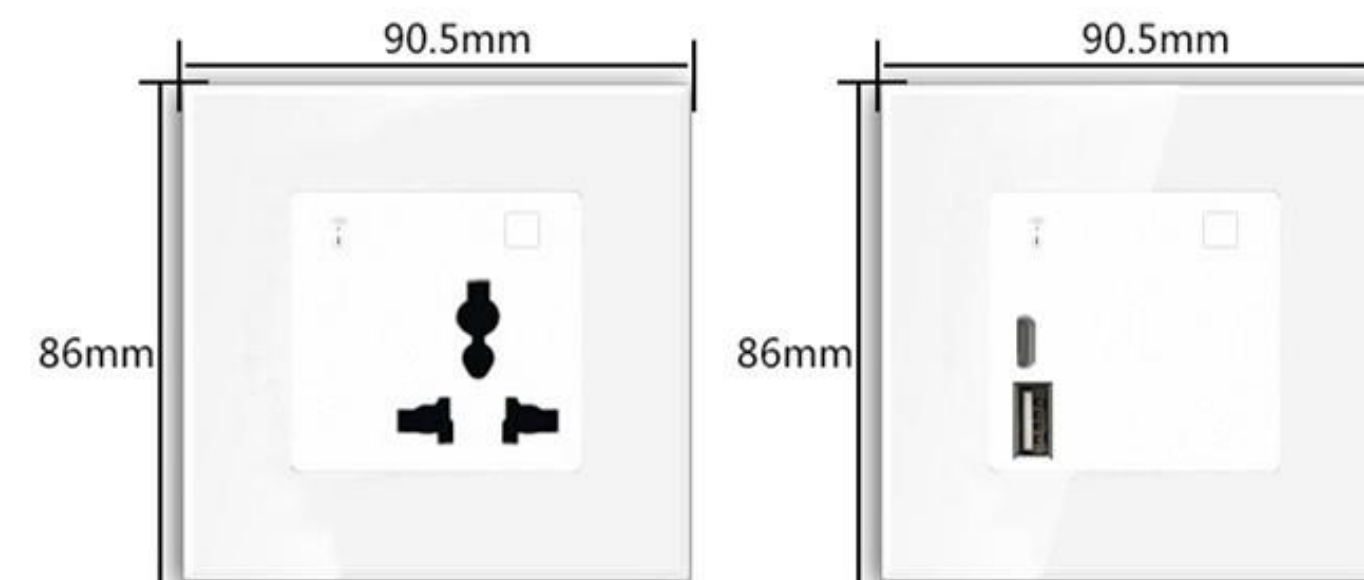
PRODUCT PARAMETERS

SOCKET SIZE:	86×90.5×40mm
ITEM NO:	L8-HOCS、L8-HOCU
PANEL :	Tempered Crystal Glass
BOTTOM MATERIALS:	Retardant PC
RATED VOLTAGE:	AC 100-250V 50/60Hz
USB-A OUTPUT :	dc 5V/3a、9v/2a、12v/1.5a
USB-C OUTPUT :	dc 5V/3a、9v/2a、12v/1.5a
DUAL PORT TOTAL OUTPUT :	dc 5V/3a
DUAL PORT TOTAL OUTPUT :	20W max
RATED LOAD:	16A
LOAD TYPE:	Various household appliances
WIRELESS STANDARDS:	IEEE 802.11b/g/n
FREQUENCY RANGE:	2.405GHz~2.480GHz
RECEIVING SENSITIVITY:	-97dBm@250kbps
OPERATING TEMPERATURE:	-25 °C +60 °C
RELATIVE HUMIDITY:	<95%

Wiring Diagram



Size Diagram



Package





LECCY & GENESIS

Thank You