

CURTAIN MOTOR

INSTRUCTIONS



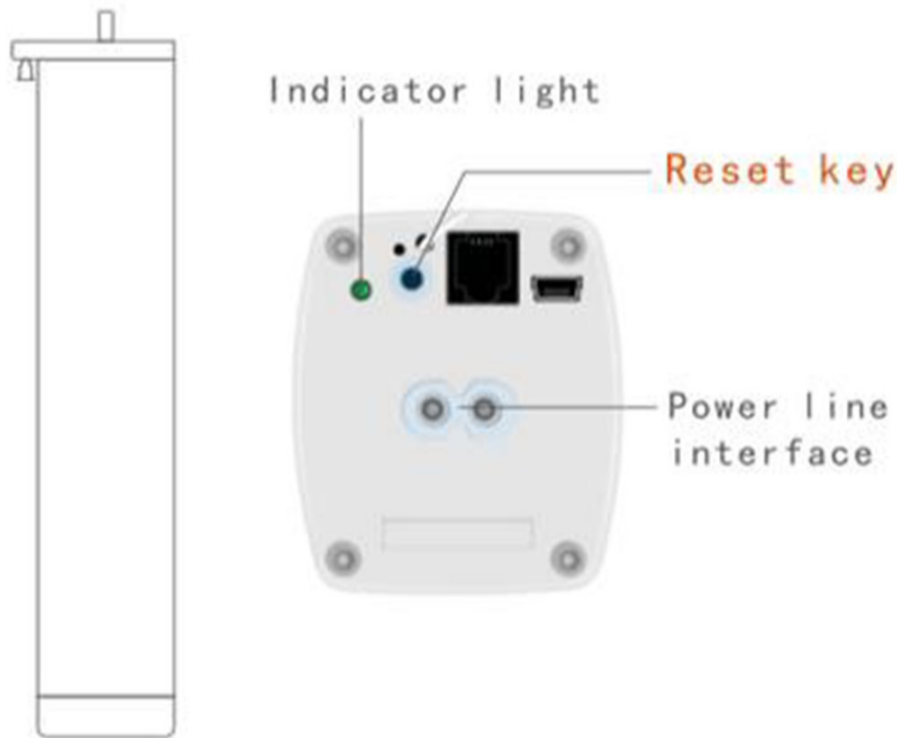
LECCY & GENESIS



· SMART · COMFORT · CONVENIENCE

According to the company's business development, the product may be adjusted from time to time, and the specific functions and contents may be adjusted dynamically. The company cannot guarantee that the relevant packaging and instructions updated in time. Customers please use in practical. The functions and contents shall prevail.

Structural description



Intelligent curtain motor

Reset key

Distribution network: Press three times, then press 5 seconds longer until the indicator lights flash.

Be merciful and lenient: Press three times, then press 5 seconds longer until the indicator lights flash.

Indicator light

Colour: green;

Flash: Distribution network state;

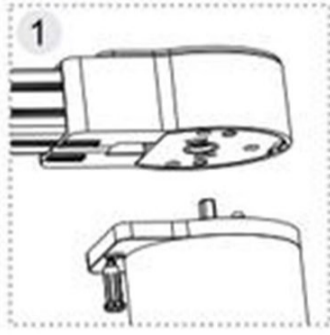
Basic parameters

Product model	TY-Curtain01	Radio frequency	2.4G/433MHz	Maximum width	12m
Rated power	45W	Maximum payload	50Kg	Protection grade	20IP
Rated current	0.14A	Fuselage weight	1.05Kg	Running time	>4min
Rated torque	1.2Nm	Operation noise	33dB	Working temperature	-10℃~50℃
Running speed	14cm/s	Minimum width	0.9m	Power line type	2 core
Working voltage	100~240Vac 50/60Hz				

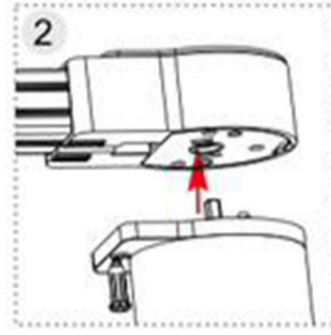
Functional characteristics

- Touch start function
- Power failure pull function
- Resistance And Stop Function
- Run gracefully
- Fabric rebound correction function
- Stroke fine tuning function
- Electronic memory limit
- Remote control
- Timing control
- Speech control
- Positive inversion settings
- Calibration function

Motor installation



Check whether the pull-out lock rod is in the schematic position. If on the right side of the diagram, pull the pull-out lock rod while pulling it to the left.

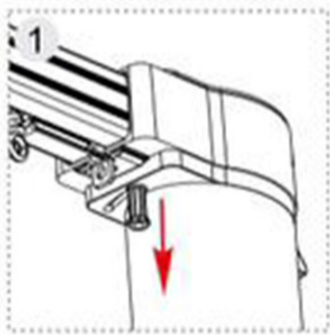


The motor is inserted into the main transmission box.

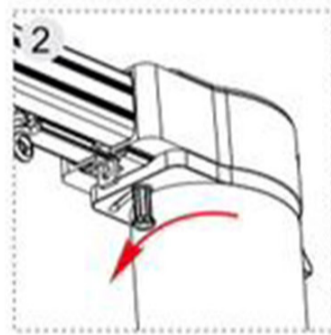


Pull out the locking rod to the right until the rod head falls into the right limit hole.

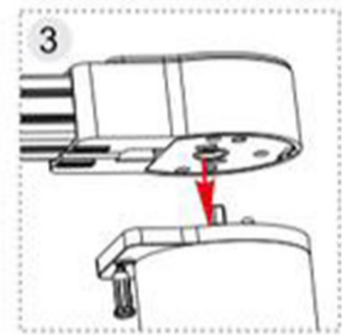
Motor disassembly



Pull down the locking rod downward to make the top slide out of the limit hole.



Pull and pull the lock bar to the left side.



Remove the motor.

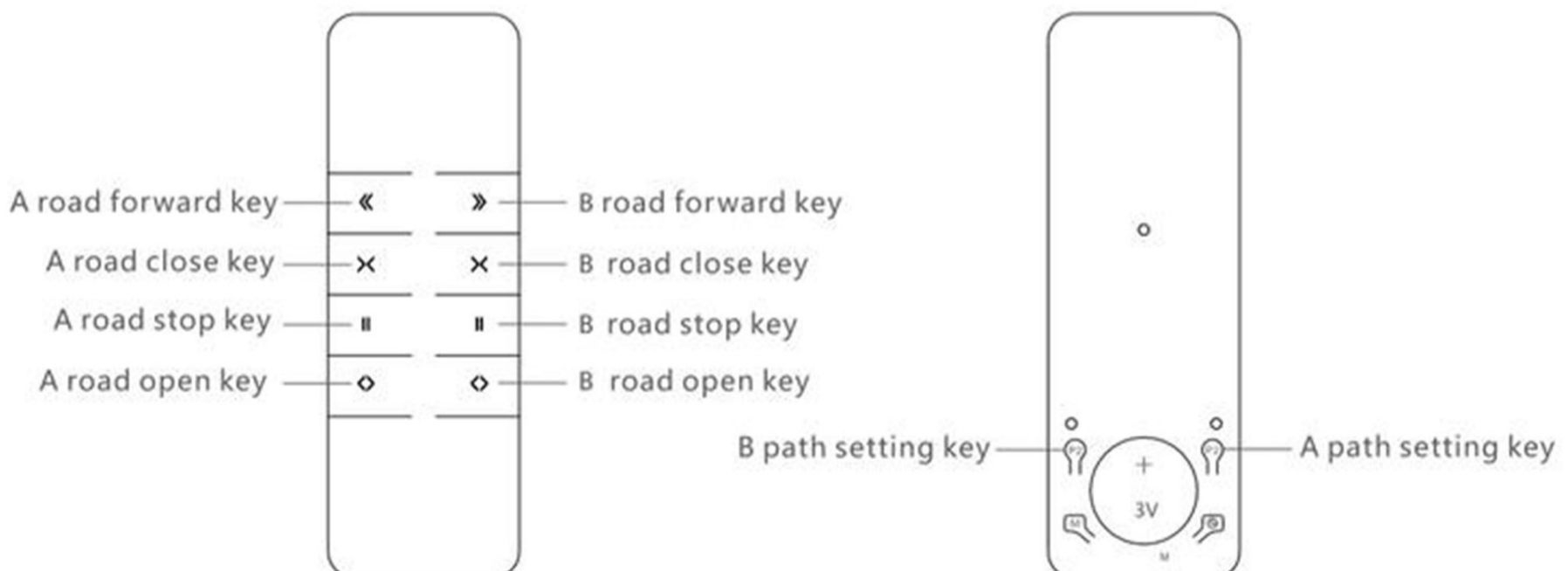


Pull out lock rod

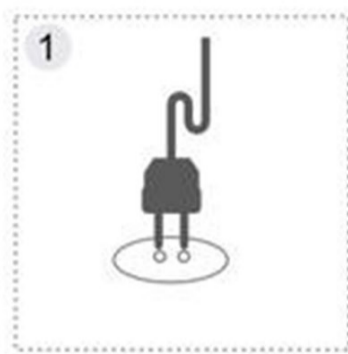
⚠ Be careful

- Install according to the size requirements in the illustration.
- Ensure the position of the pullout lock rod in the illustration.
- The ceiling of the motor must be strong enough to withstand all the weight including the guide rail, motor and curtain cloth.

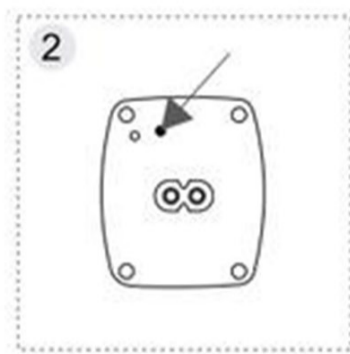
Remote control pair code



Motor and remote control counter code



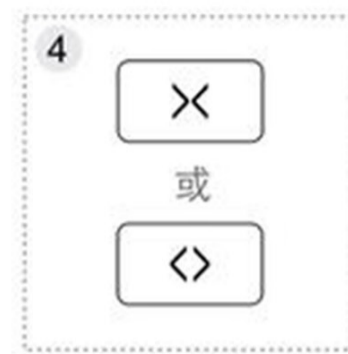
The motor is energized.



Press the motor reset key for 3 seconds until the indicator light is long.

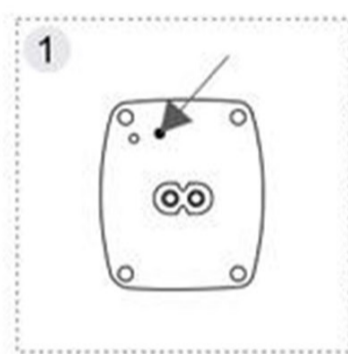


The remote control opens the back cover and press the P2 key twice (press the first button, the indicator light flashes slowly, press the second button, the indicator light flashes twice, and goes out).

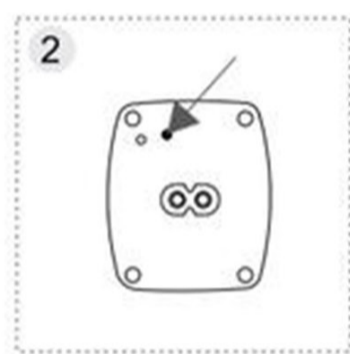


The front of the remote control is pressed or opened, and the code is successful.

Motor and remote control decoding

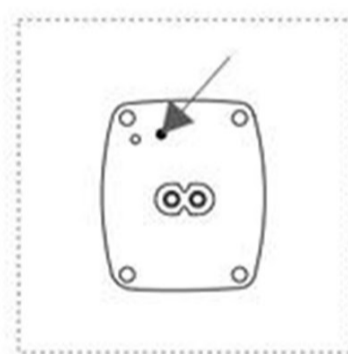


After energizing, press the reset key of the motor to flicker the indicator.

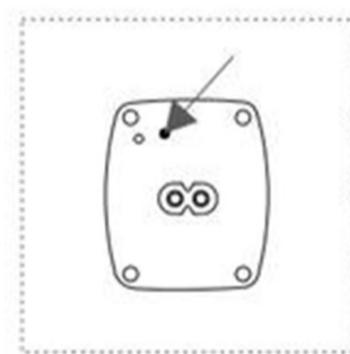


Then press the reset button for 5 seconds, the indicator lights flicker 5 times, and the decoding is successful.

Commutation of motor operation

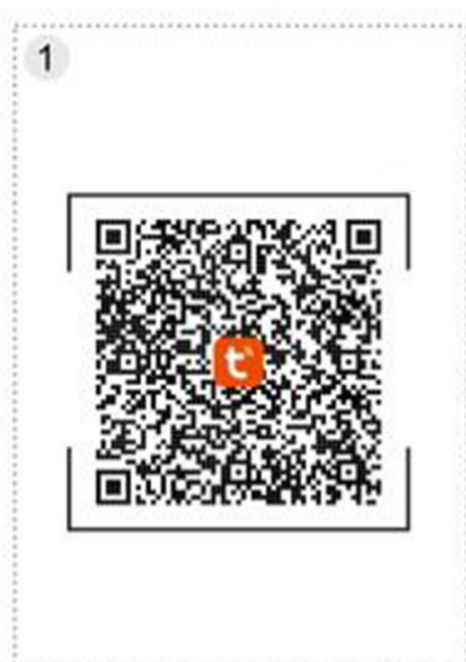


After power on, press the motor reset key for 3 seconds until the indicator light is on.



The front side of the remote control is pressed by the pause button, and the reverse setting is successful.

Electric motor networking



Scanning two-dimensional code, downloading and installing graffiti smart APP or searching and downloading in the mobile application market, and registering account login.



Press the three reset button continuously, then press the green indicator to flash.



Open APP click the "+" on the upper right corner, then select all devices.



Select "curtains", confirm the device status according to the page instructions, click confirmation to enter the network.




Enter the password, click confirm, make the distribution network.



Waiting for the connection to be successful, you can control it on APP and customize the setting name.


The way to solve the net problem is

There are two ways to solve the intelligent switch network :

Method 1: on mobile APP, remove the device to be removed, click the upper right corner.  ,Select "remove equipment";

Method 2: Release the curtain motor, press the reset key of the motor three times in a row, and then press it for a long time until flash, then the equipment will be relieved.

Device sharing:

Enter the device on APP and click on the top right side.  Select "share device", then "add share", add the account you want to add to it.

Speech control method

curtain motor supports a variety of voice box control: Tmall elves |

Little love classmate | takki | Amazon | Google Home

1. intelligent curtain motor through APP networking.
2. bind the account to the APP of each voice box, that is, the corresponding voice control.

Example 1: Tmall elf control

1. intelligent curtain motor through APP networking.
2. open the Tmall elf APP. Click on my "add device" to bind the platform account. Find "graffiti intelligence" to bind. After binding, you can control Tmall elf.

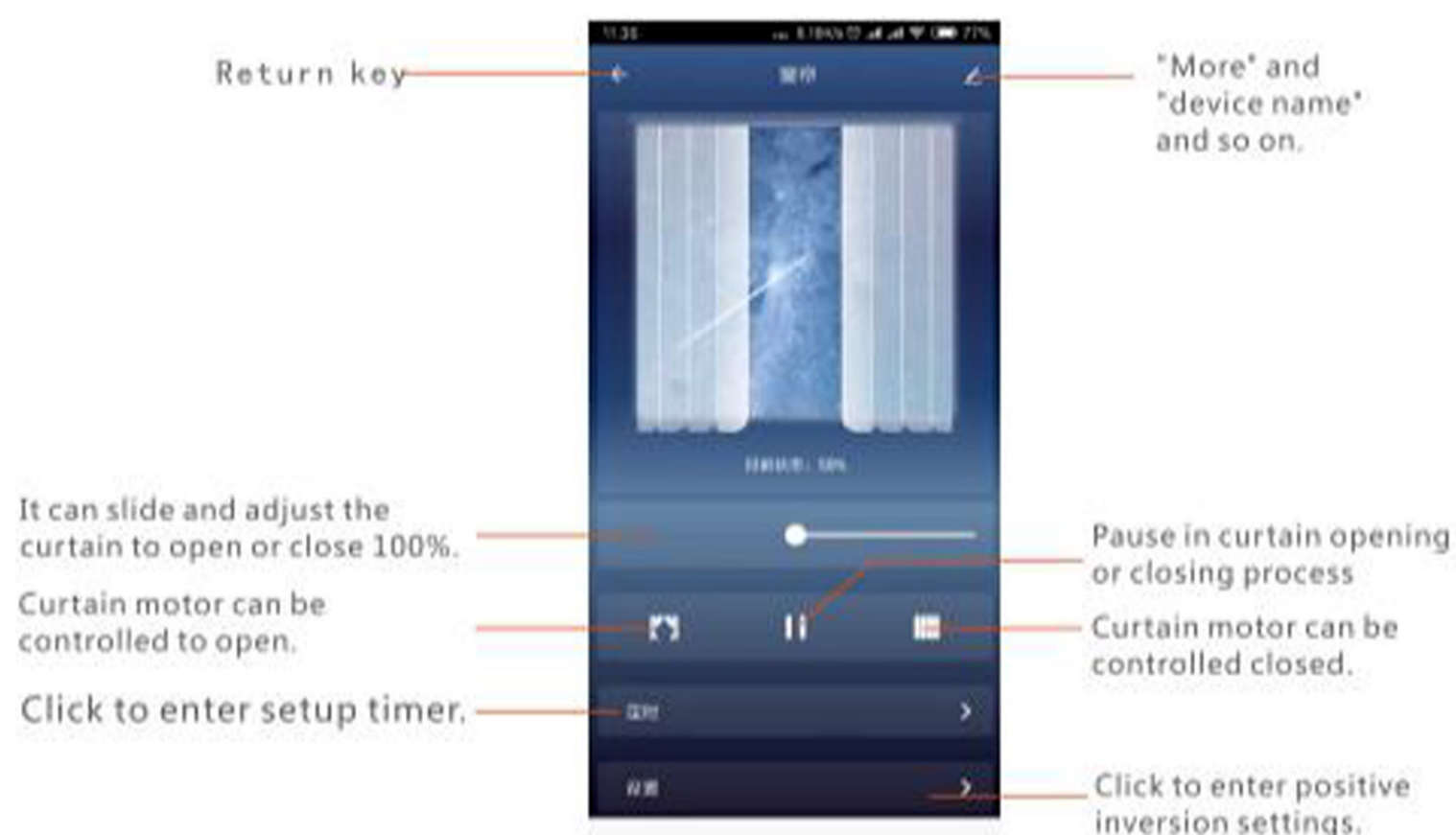
For example, 2: little love classmates control.

1. curtain motor through APP networking.
2. open "Mi Jia" APP. Click on "mine" → "Set up" → "Laboratory function" → "Third party platform" → Add "find" graffiti intelligence "to bind. After binding, you can control your classmates.

Inventory

1. intelligent curtain motor;
2. power cord.
3. a user manual.

Interface description



After sale policy

Three package provisions

1. Within 7 days from the date of your signature and receipt, if there is a performance failure of this product, the service center will confirm that it can enjoy free return or exchange services.
2. Within 8-15 days from the date of your signature, if there is a performance failure of this product, the service center will determine that it can enjoy free exchange or maintenance services.
3. Within 36 months from the date of your signing and receiving, the product has performance failures, which can be repaired free of charge by the service center.

Quality assurance performance failure

1. the product is not energized, or the power fails to start properly.
2. the key of the device can not be used normally.
3. the function of other products caused by other hardware failures can not be used normally.

Non warranty range

1. Unauthorized maintenance, misuse, collision, abuse, infusion, accident, alteration, incorrect use of non-product accessories, or tear, alter labels, anti-counterfeiting marks;
2. more than three packages are valid.
3. the damage caused by force majeure, such as fire, flood and lightning strikes, is not in line with the situation of failure.
4. failure of the product and accessories due to human causes.

Commitment and statement

The company guarantees that the products conform to the national standards. The company will not undertake any obligations for any declarations related to products that are not directly issued by the company.