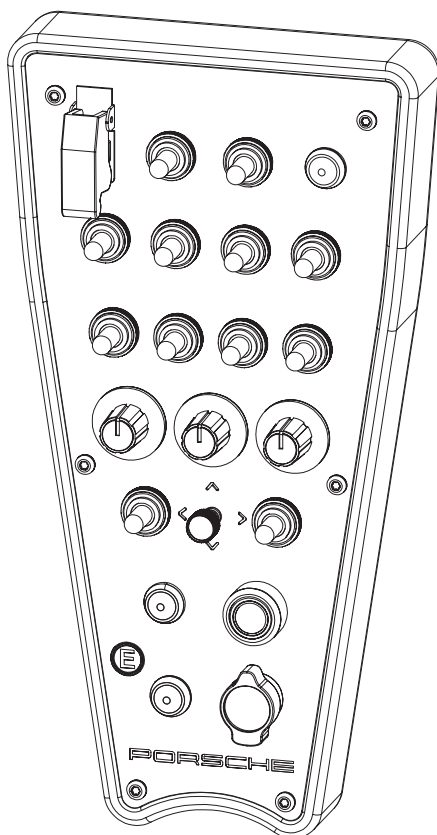




INSTRUCTION MANUAL



PORSCHE 911 GT3 CUP BUTTON BOX CONSOLE

VERSION 1.0

Last updated: 26-05-2023

BEFORE YOU START:

Thank you for your purchase. In this manual we will provide you with the means to get started using your new GRID product!

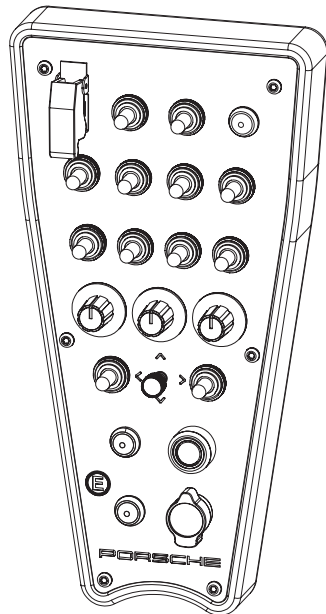
The officially licensed Porsche 911 GT3 Cup (991) Button Box Console provides users with 42 individual inputs and is constructed using the best components and materials available.

PORSCHE 911 GT3 CUP

BUTTON BOX CONSOLE

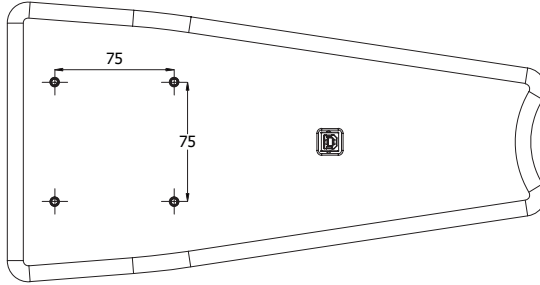
Features:

- Officially licensed replica
- Backlit 7-way switch
- Carbon fiber front plate
- 75x75 VESA mounting pattern
- Motorsports grade build quality
- Plug and play



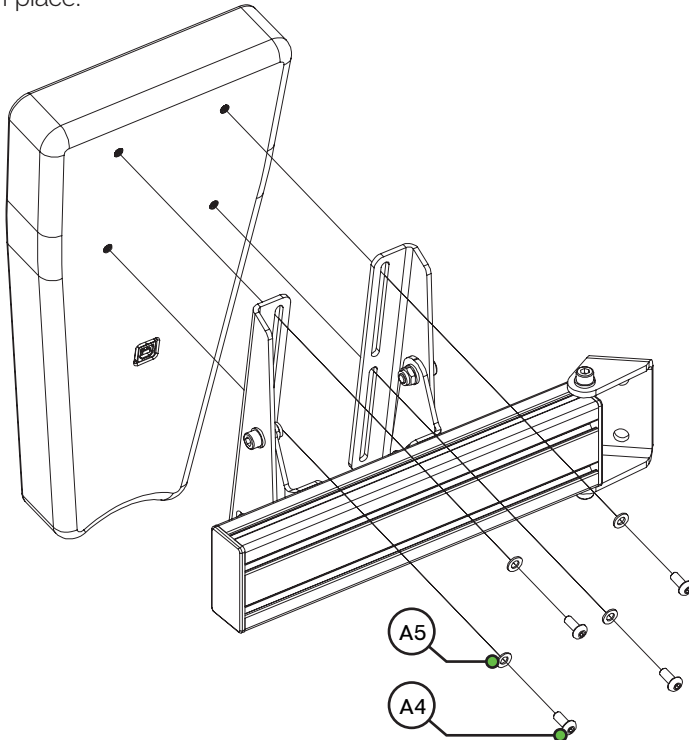
Mounting

We have included threaded inserts into the rear of the housing to be able to mount your new button box. The square pattern is a 75mm x 75mm one, which is easy to find brackets for.

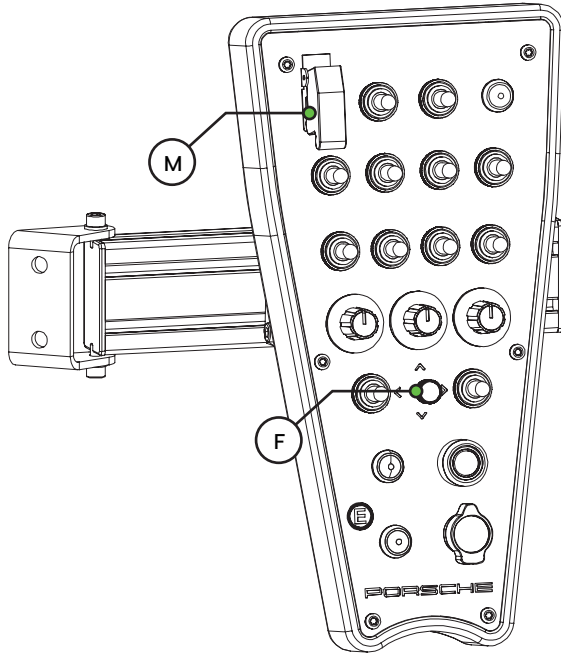


Looking at our own catalogue, we recommend using the [Sim-Lab button box holder](#) as it offers multiple ways of adjustability and fits your cockpit like a glove.

After assembling the parts, simply use 4 washers (A5) and bolts (A4) to fix the button box in place.



Now you can articulate the arm and mount exactly how you want it. All controls are within reach, exactly where you want them to be.



LEDs

Why yes, there are some! When the master switch (M) has been enabled, the arrows around the funky switch (F) will light up a subtle red color.

The master switch (M) can still be assigned a function in your favorite sim.

Decals

We have included our most extensive assembly of decals with geldomes for you to apply to your button box. Be sure to clean any surface before applying decals.

Bill of materials

IN THE BOX			
#	Part	QTY	Note
A1	Button box console	1	
A2	Decal sheet	1	
A3	USB-A cable	1	
A4	Bolt M5 X 12 DIN 7380	4	
A5	Washer M5 DIN 125-A	4	

More information

If you still have some questions regarding assembly of this product or about the manual itself, please refer to our support department. They can be reached at:

support@sim-lab.eu

Alternatively, we now have Discord servers where you can hang out or ask for help.

www.sim-lab.eu/discord / www.gridbysimlab.com/discord

[Product page on the
GRID Engineering website:](#)

