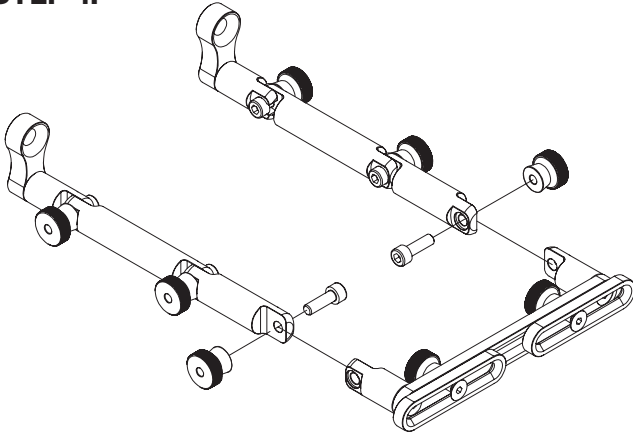
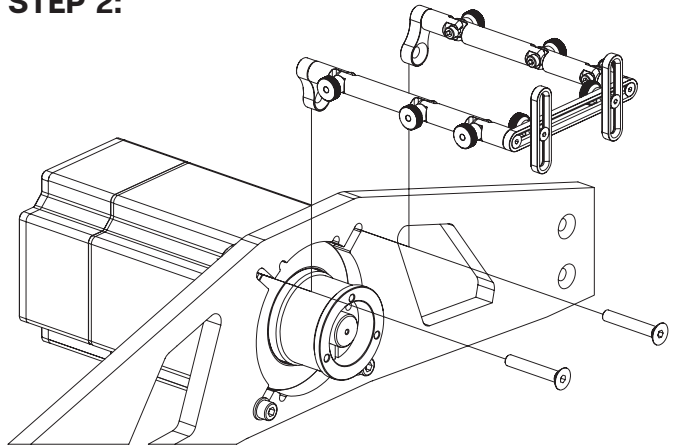


DDU MOUNT

STEP 1:

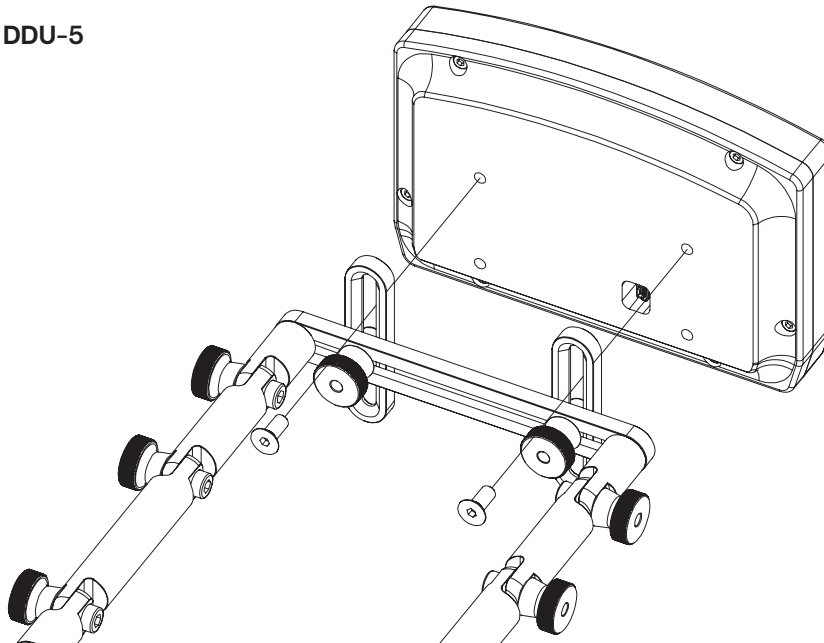


STEP 2:



STEP 3:

Product shown: GRID DDU-5



More information

This quickstart guide doesn't cover all details. Please refer to the web manual for more information. This can be accessed from the product page. Alternatively, we have Discord servers where you can hang out or ask for help.

www.grid-engineering.com/discord

Here is a QR code to the manual.

